



US00D327092S

# United States Patent [19]

[11] Patent Number: **Des. 327,092**

**Evenson**

[45] Date of Patent: **\*\* Jun. 16, 1992**

[54] **COMBINATION DESK UNIT**

D. 317,180 5/1991 Leszczak ..... D19/75 X  
4,176,743 12/1979 Fitzpatrick ..... 206/214

[75] Inventor: **Mel Evenson, San Pedro, Calif.**

[73] Assignee: **Eldon Industries, Inc., Inglewood, Calif.**

[\*\*] Term: **14 Years**

[21] Appl. No.: **537,101**

[22] Filed: **Jun. 12, 1990**

[52] U.S. Cl. .... **D19/75; D19/21; D19/76; D19/78; D19/92**

[58] Field of Search ..... **D19/20, 21, 22, 23, D19/65, 69, 75, 76, 77, 78, 86, 92, 95, 99, 100; 206/214, 371, 379; 211/10, 11, 13, 45, 50, 69.1-69.9**

[56] **References Cited**

**U.S. PATENT DOCUMENTS**

D. 59,278	10/1921	Plym	.....	D19/21
D. 179,546	1/1951	Miele	.....	D19/75 X
D. 234,507	3/1975	Mori	.....	D19/75
D. 245,783	9/1977	Fieni	.....	D19/75
D. 258,941	4/1981	Henkels	.....	D19/75 X
D. 260,906	9/1981	Grusing	.....	D19/21 X
D. 266,675	10/1982	Polhemus et al.	.....	D19/69 X
D. 285,094	8/1986	Li	.....	D19/75 X
D. 305,553	1/1990	Pugliese et al.	.....	D19/75

**OTHER PUBLICATIONS**

Eldon Industries Office Products ©1989 see item #3075 center of p. 13.

Fuller Contract Accessories ©1989, see item #EDJBXGAM lower center of p. 21.

*Primary Examiner*—Donald P. Walsh

*Assistant Examiner*—Martha Thompson

[57] **CLAIM**

The ornamental design for a combination desk unit, as shown and described.

**DESCRIPTION**

FIG. 1 is a top plan view of a combination desk unit showing my new design;

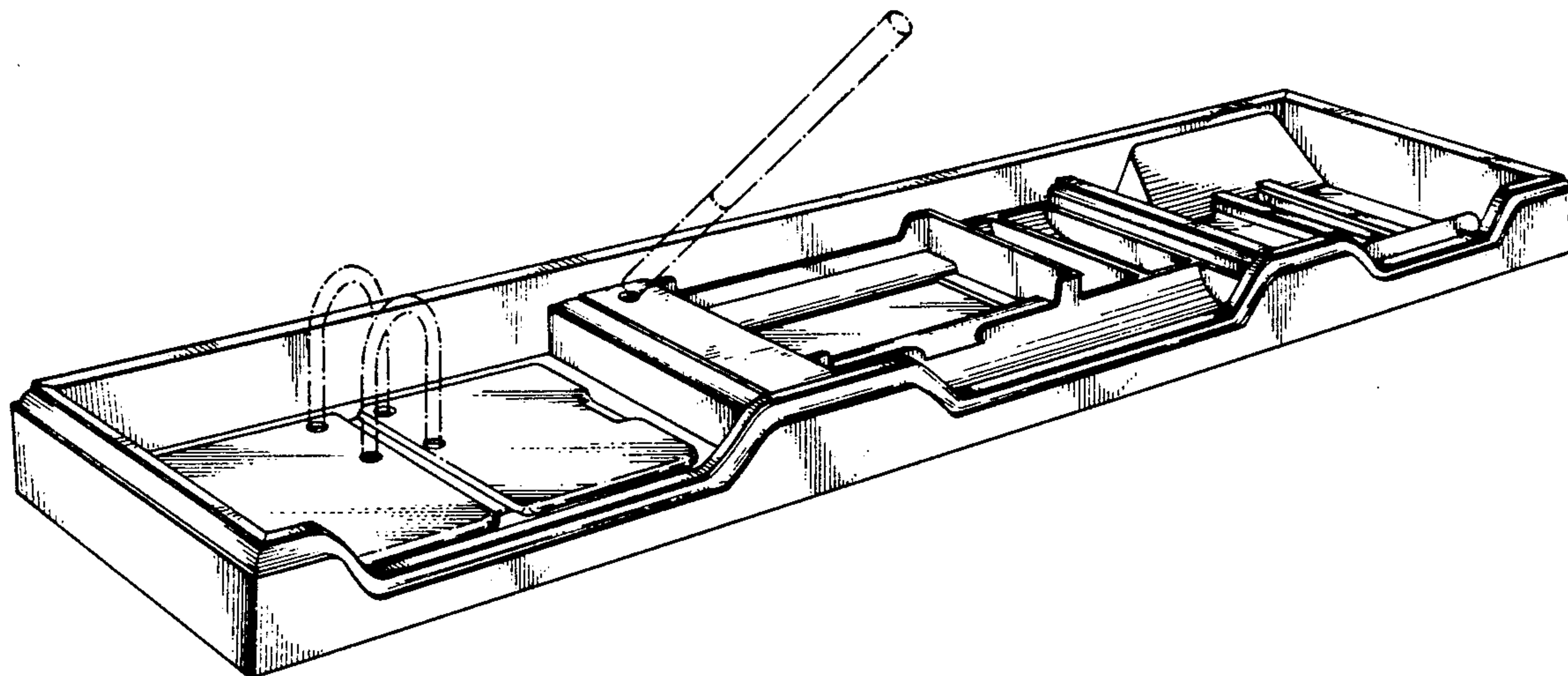
FIG. 2 is a front elevational view;

FIG. 3 is a bottom plan view;

FIG. 4 is a rear elevational view;

FIG. 5 is a left side elevational view, the right side being a mirror image thereof; and,

FIG. 6 is a top, left front perspective view thereof, the writing instrument and calendar retaining rods being depicted by means of broken lines for illustrative purposes only and forming no part of the claimed design.



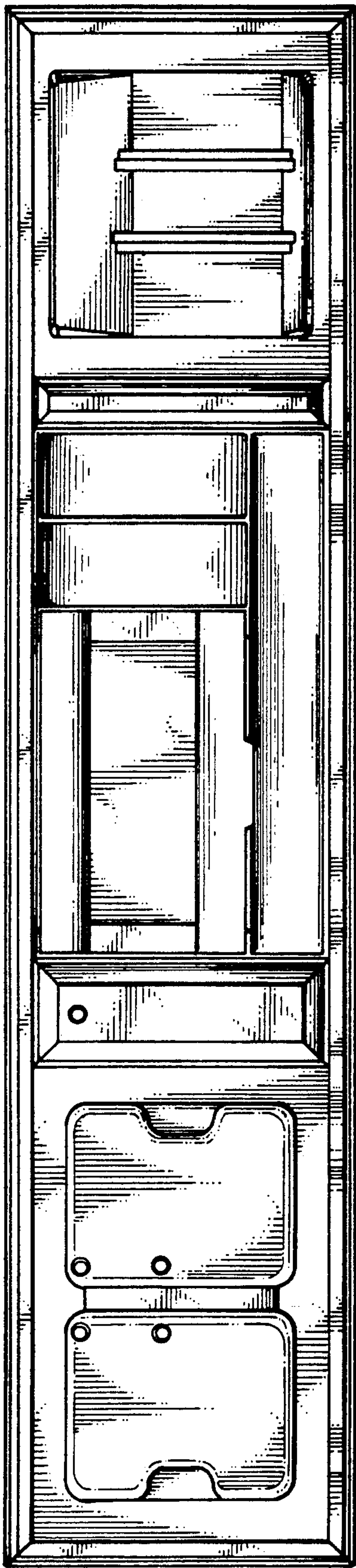


FIG. 1



FIG. 2

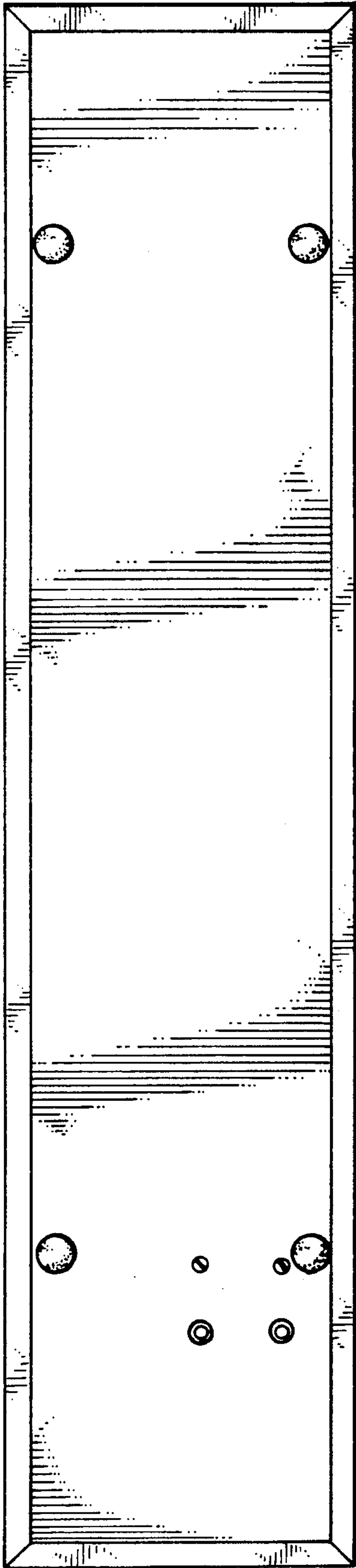


FIG. 3



FIG. 4



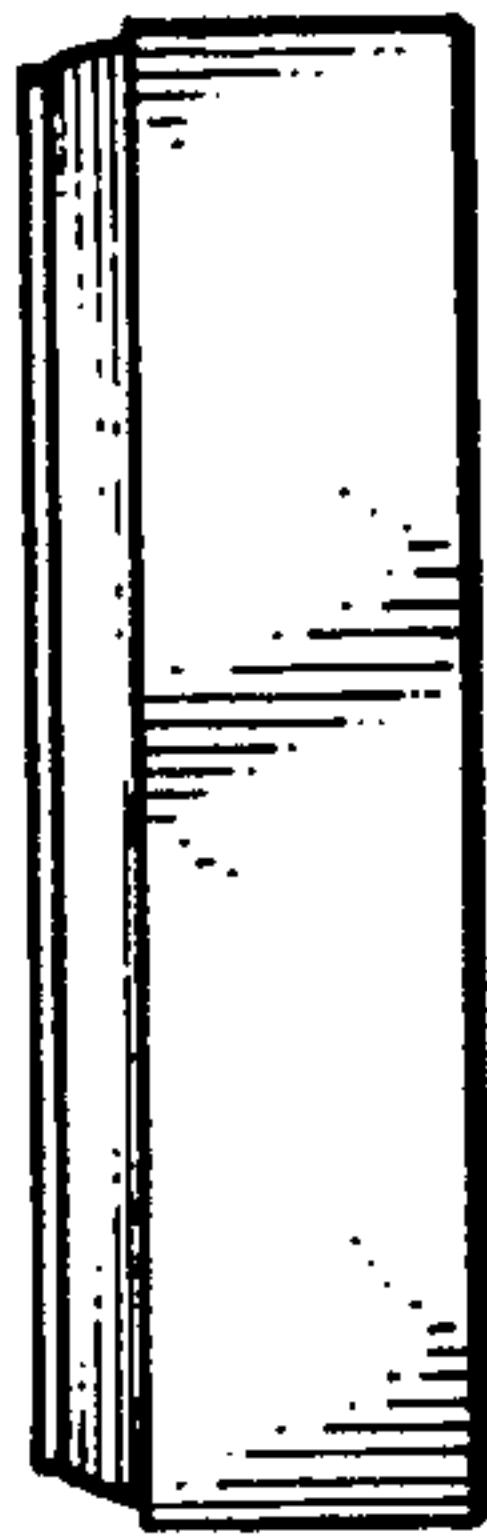


FIG. 5

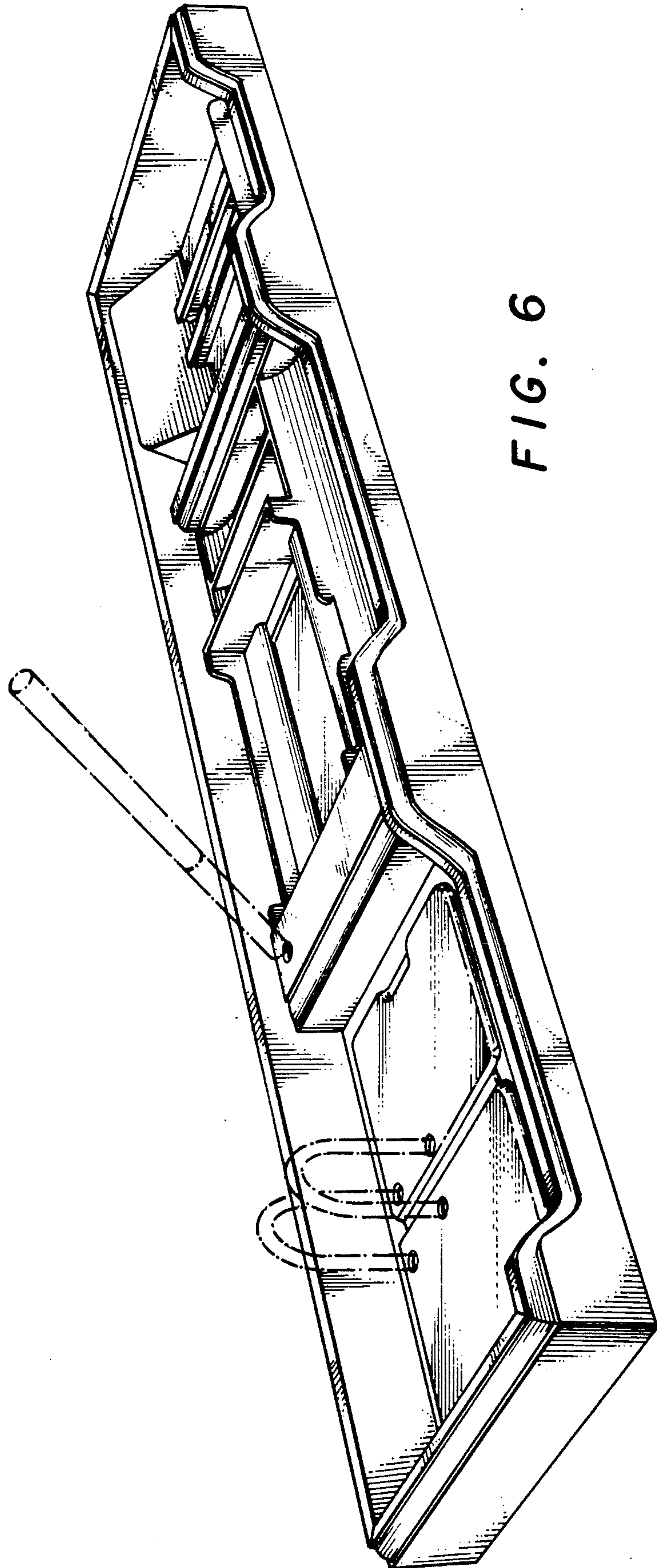


FIG. 6