



US00D327091S

# United States Patent [19]

[11] Patent Number: Des. 327,091

Ancona et al.

[45] Date of Patent: \*\* Jun. 16, 1992

[54] FILE BOX

4,580,679 4/1986 Hellman, III ..... 206/425

[75] Inventors: Bruce Ancona; Jane Ancona, both of New York, N.Y.

OTHER PUBLICATIONS

Visible Computer Supply Corporation, see item left center on front cover.

[73] Assignee: M. Kamenstein, Inc., White Plains, N.Y.

Primary Examiner—Donald P. Walsh  
Assistant Examiner—Martha Thompson  
Attorney, Agent, or Firm—James Albert Drobile; Robert A. Koons, Jr.; Robert E. Rosenthal

[\*\*] Term: 14 Years

[21] Appl. No.: 489,956

[22] Filed: Mar. 13, 1990

[57] CLAIM

[52] U.S. Cl. .... D19/75; D19/90; D3/30.1; D3/35

The ornamental design for a file box, as shown and described.

[58] Field of Search ..... D19/65, 75, 78, 86, D19/90, 91, 95, 99, 100; D3/30.1, 35, 76, 78; D6/407; 206/425, 444; 312/183, 184, 8, 10, 42, 50; 211/10, 11, 45, 50

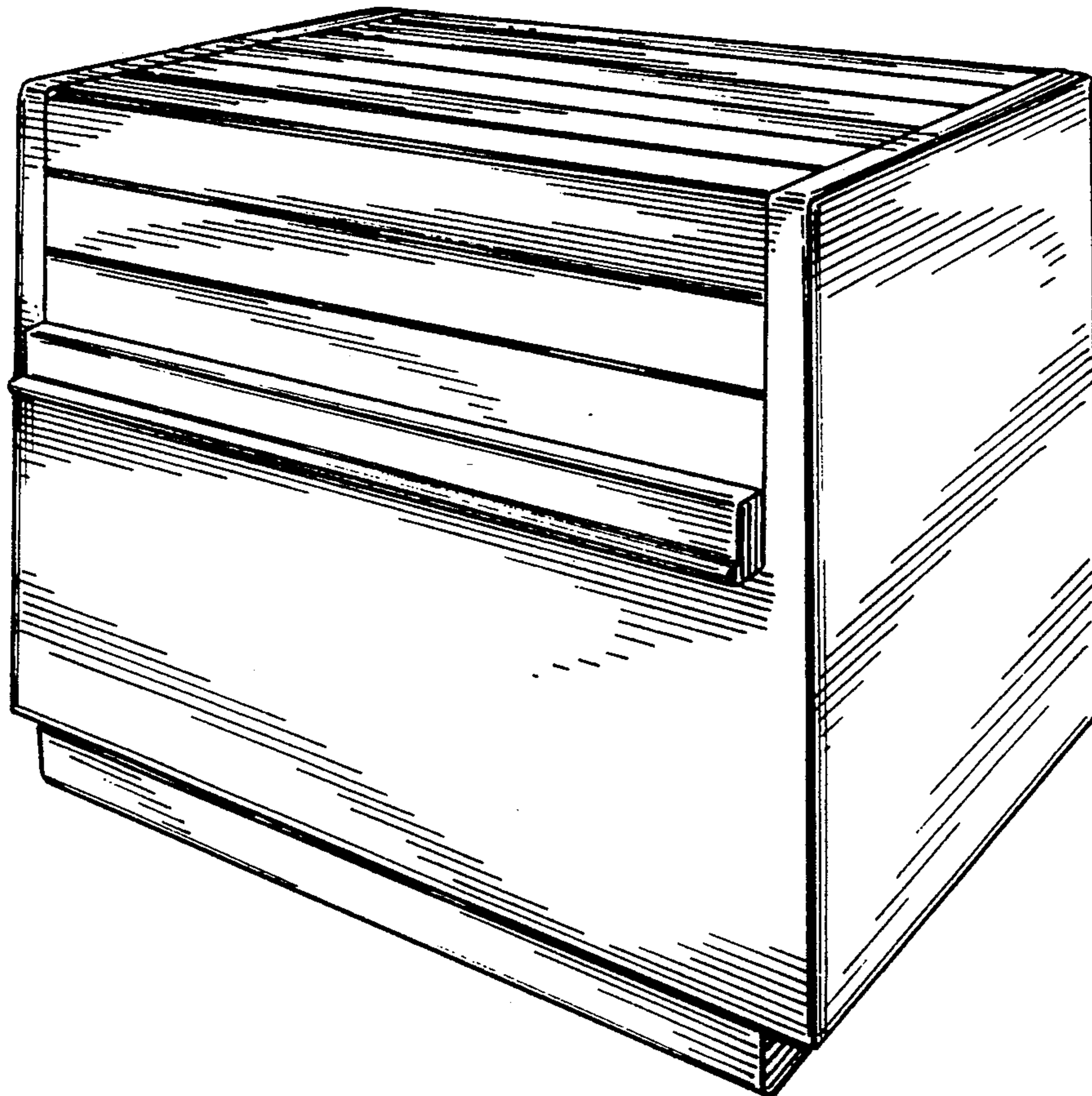
DESCRIPTION

[56] References Cited

U.S. PATENT DOCUMENTS

D. 143,173	12/1945	Tobey	.....	D3/78
D. 291,027	7/1987	Hirooka	.....	D3/76
D. 301,154	5/1989	Foran et al.	.....	D19/75
D. 308,915	7/1990	Lanius	.....	D3/76 X
D. 319,549	9/1991	Van der Burg	.....	D6/407
795,998	8/1905	Molitor	.....	D3/78 X
4,465,187	8/1984	Kinard et al.	.....	206/425

FIG. 1 is a top, right front perspective view of a file box showing our new design;  
FIG. 2 is a top plan view;  
FIG. 3 is a front elevational view;  
FIG. 4 is a right side elevational view, the left side being a mirror image thereof;  
FIG. 5 is a rear elevational view;  
FIG. 6 is a top, right front perspective view of a second embodiment of our new design; and,  
FIG. 7 is a right side elevational view of FIG. 6, the left side being a mirror image thereof.



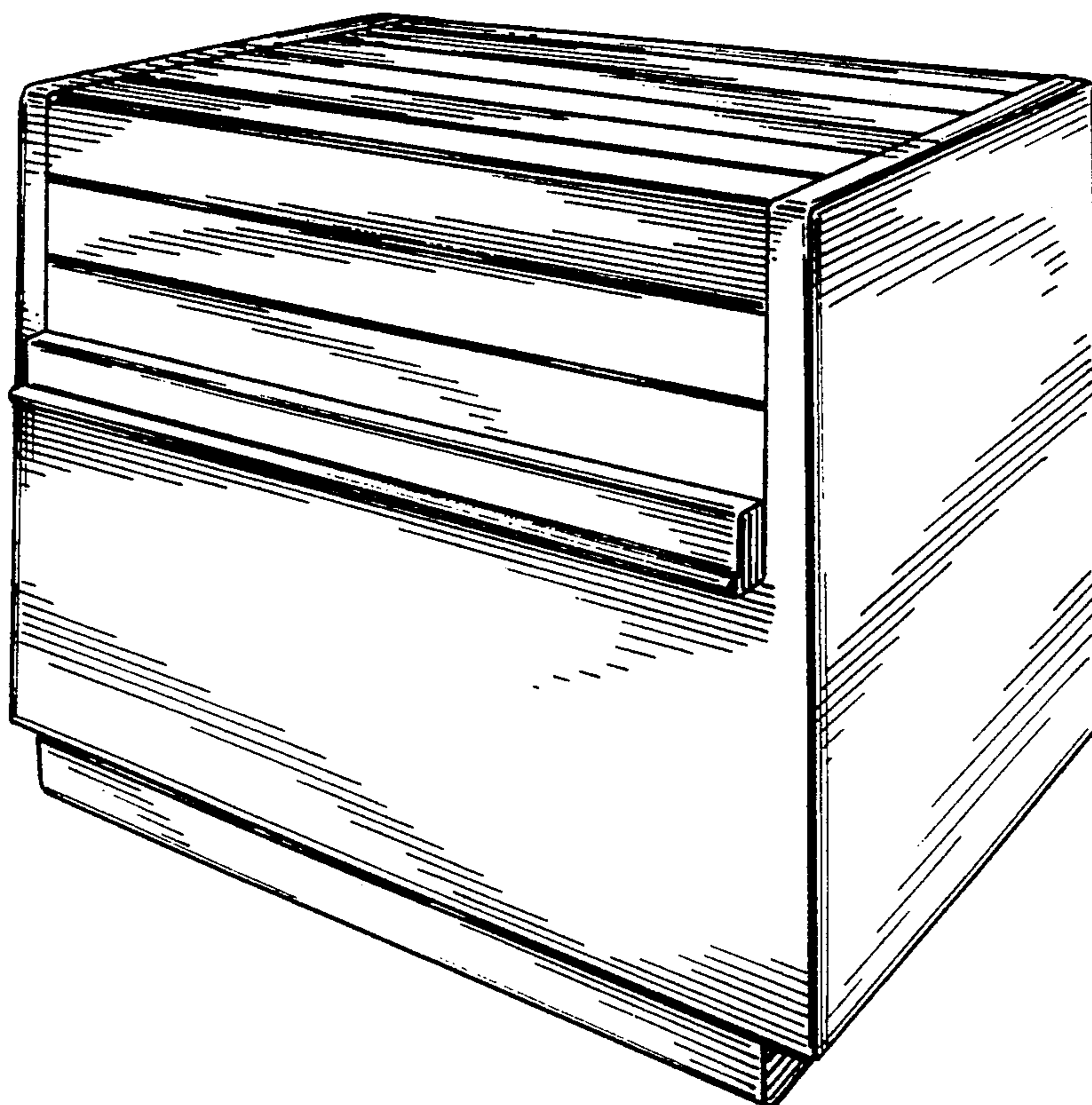


Fig. 1



Fig. 2



Fig. 3

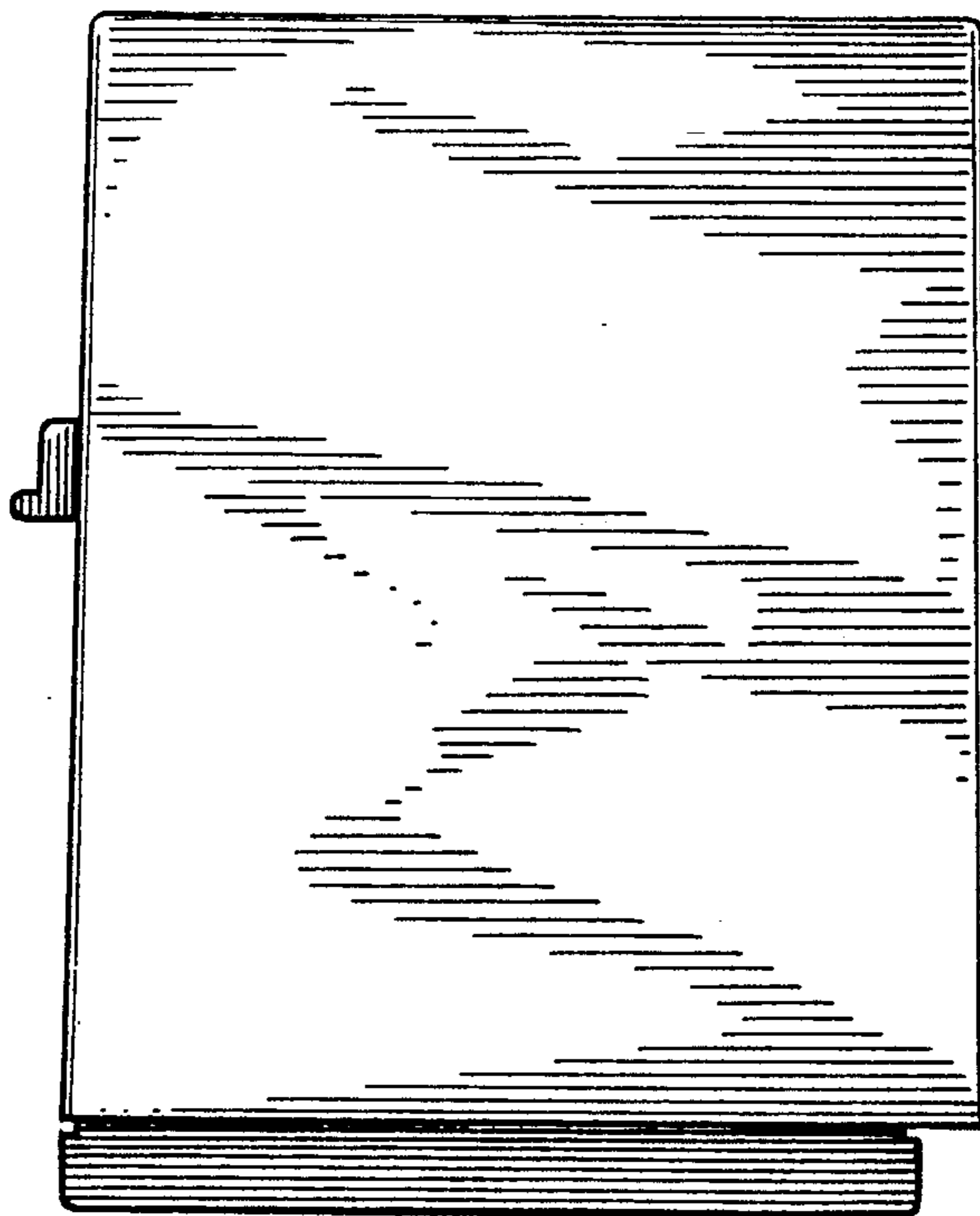
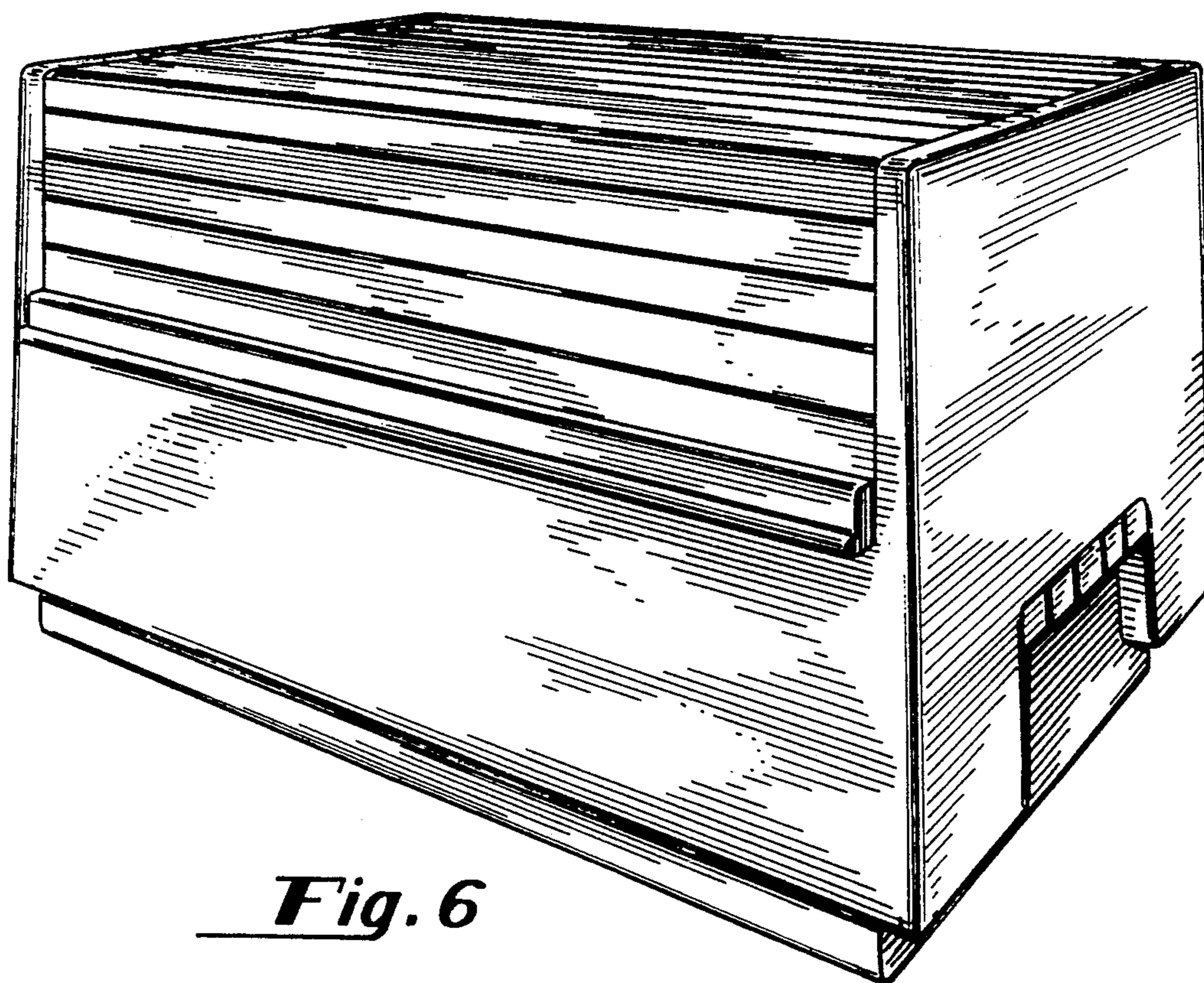


Fig. 4

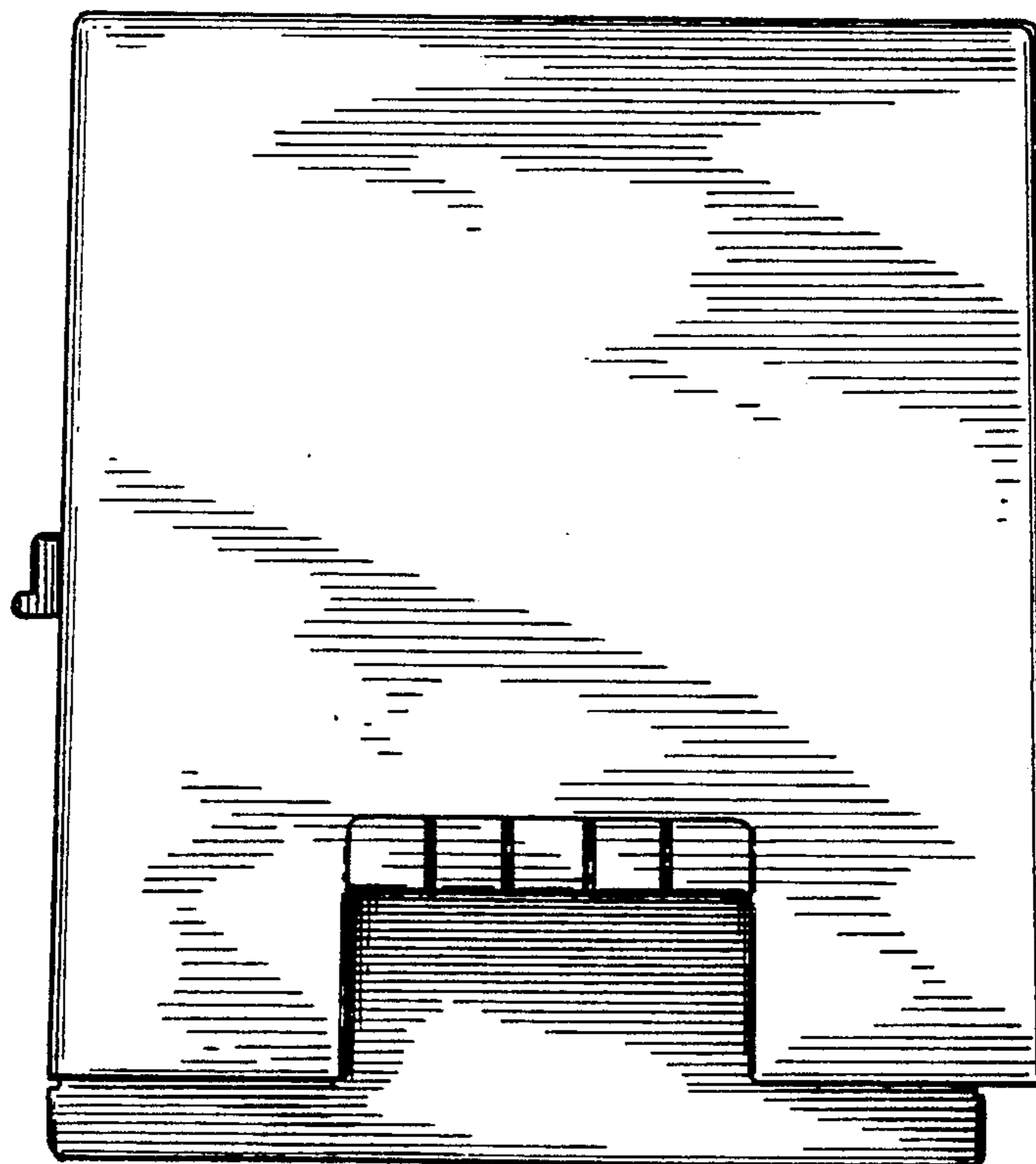




Fig. 5



*Fig. 6*



*Fig. 7*