



US00D327088S

# United States Patent [19]

[11] Patent Number: Des. 327,088

Murase

[45] Date of Patent: \*\* Jun. 16, 1992

[54] DRUM CARTRIDGE FOR A PRINTER

4,816,877	3/1989	Keen	355/260 X
4,904,100	2/1990	Enix	D18/12
5,011,310	4/1991	Wiechert	400/207

[75] Inventor: Kouji Murase, Tokyo, Japan

[73] Assignee: Kyocera Corporation, Kyoto, Japan

[\*\*] Term: 14 Years

[21] Appl. No.: 428,326

[22] Filed: Oct. 27, 1989

### FOREIGN PATENT DOCUMENTS

702164	4/1987	Japan	.
735639	6/1988	Japan	.
0193159	8/1988	Japan	355/245
744787	9/1988	Japan	.

### [30] Foreign Application Priority Data

Apr. 28, 1989 [JP] Japan ..... 1-16301

[52] U.S. Cl. .... D18/56

[58] Field of Search ..... D18/13, 20, 22, 40, D18/43, 12, 56; 355/245, 260, 3 R, 3 DD, 3 DR, 315; 271/306-313, 900; 400/175, 692, 208.1, 202.4, 121, 124, 126, 175, 194, 197, 200-202, 202.1-202.8, 248, 679, 207, 719; 346/140 R, 140 PD, 126

Primary Examiner—Wallace R. Burke  
 Assistant Examiner—Freda S. Nunn  
 Attorney, Agent, or Firm—Spensley Horn Jubas & Lubitz

### [56] References Cited

#### U.S. PATENT DOCUMENTS

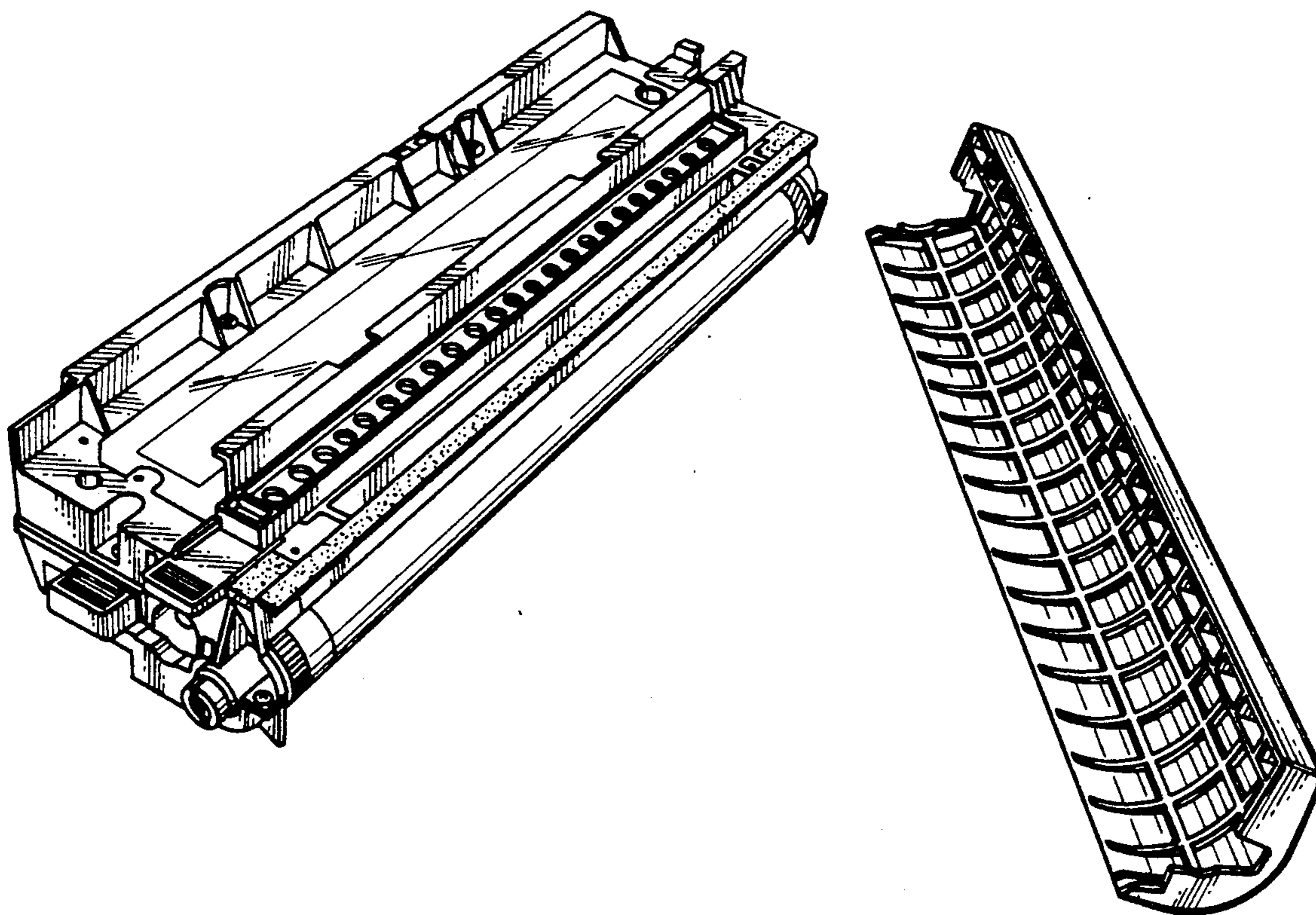
D. 298,333	11/1988	Masaki et al.	D18/40 X
D. 307,700	5/1990	Sakakura et al.	D18/40
D. 310,682	9/1990	Tsumuro	D18/22 X
4,636,097	1/1987	Goubeaux	400/197 X
4,734,717	3/1988	Rayfield	400/126 X

### [57] CLAIM

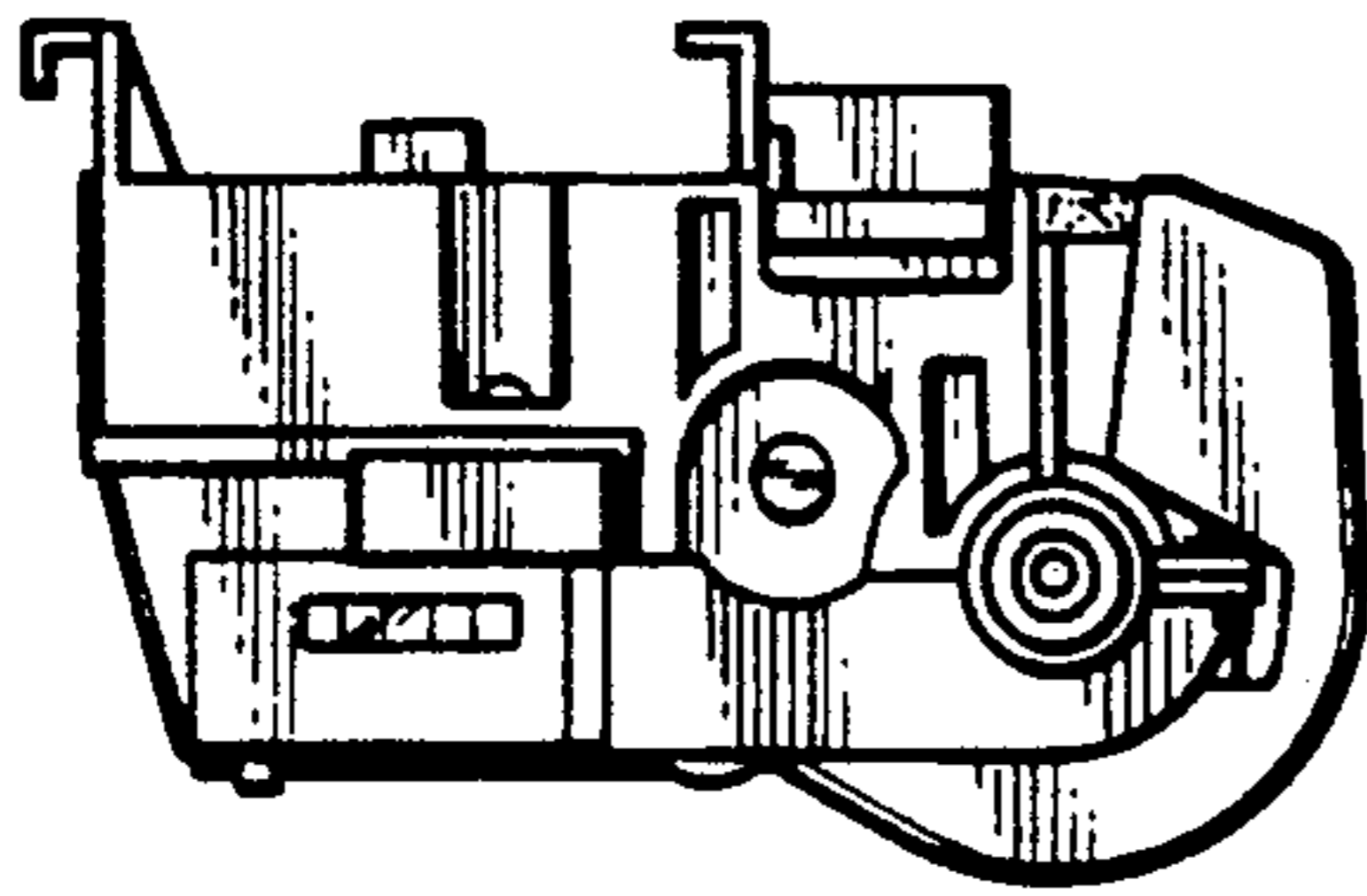
The ornamental drum cartridge for a printer, as shown and described.

### DESCRIPTION

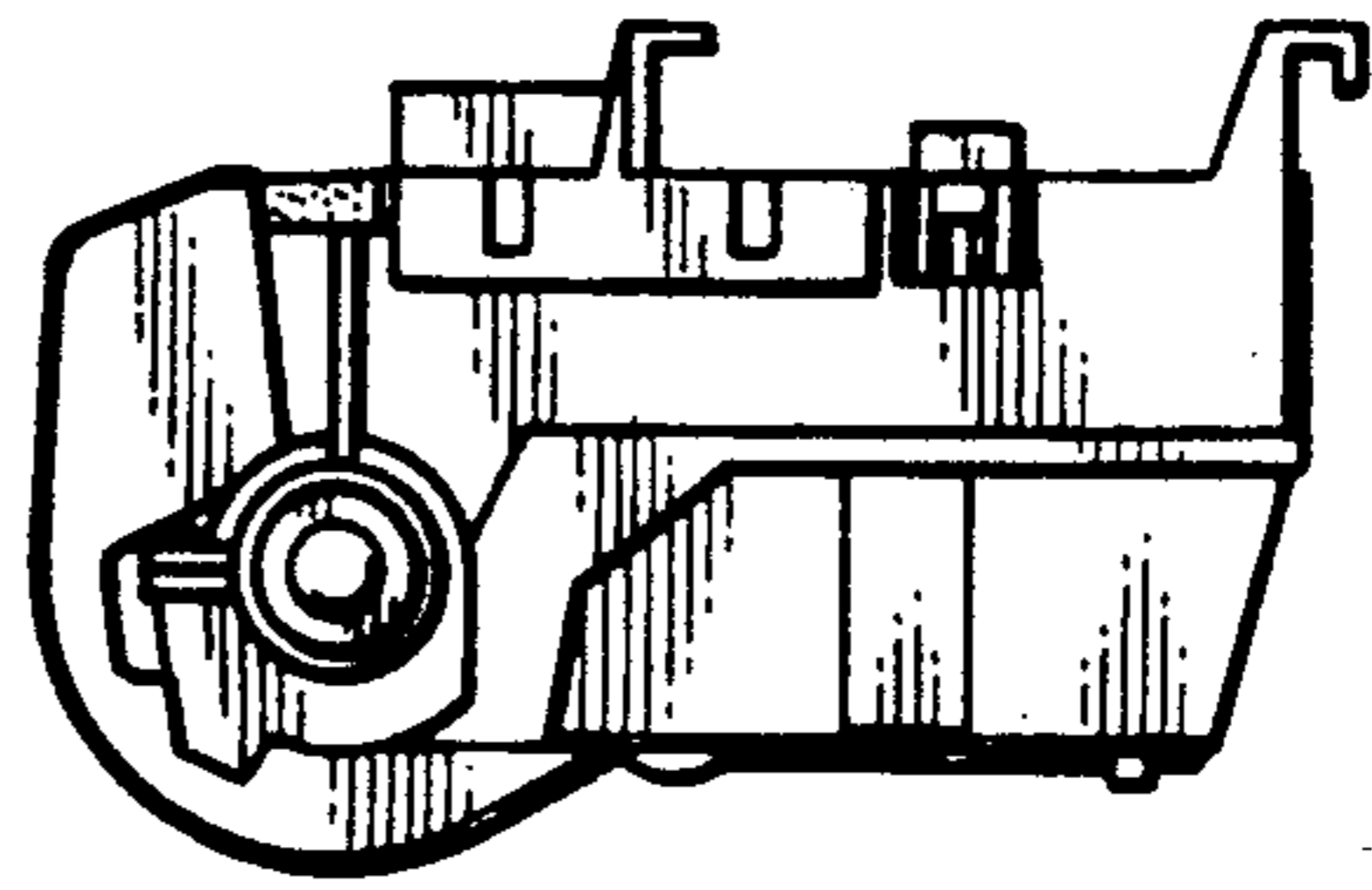
FIG. 1 is a left end elevational view of a drum cartridge for a printer showing my new design;  
 FIG. 2 is a right end elevational view thereof;  
 FIG. 3 is a front elevational view thereof;  
 FIG. 4 is a rear end elevational view thereof;  
 FIG. 5 is a top plan view thereof;  
 FIG. 6 is a bottom plan view thereof; and,  
 FIG. 7 is an exploded perspective view thereof with a portion of the cover removed.



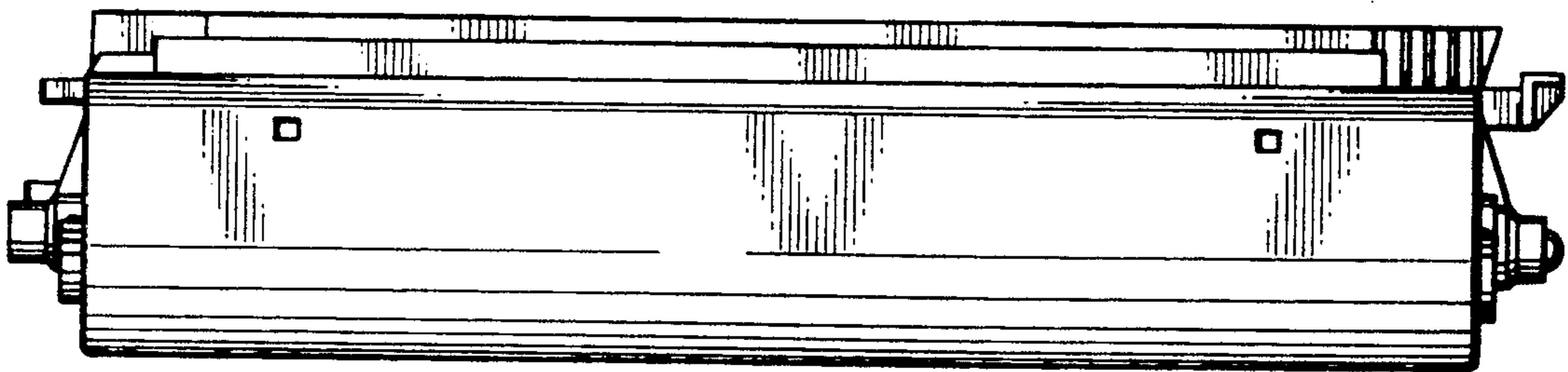
*Fig. 1*



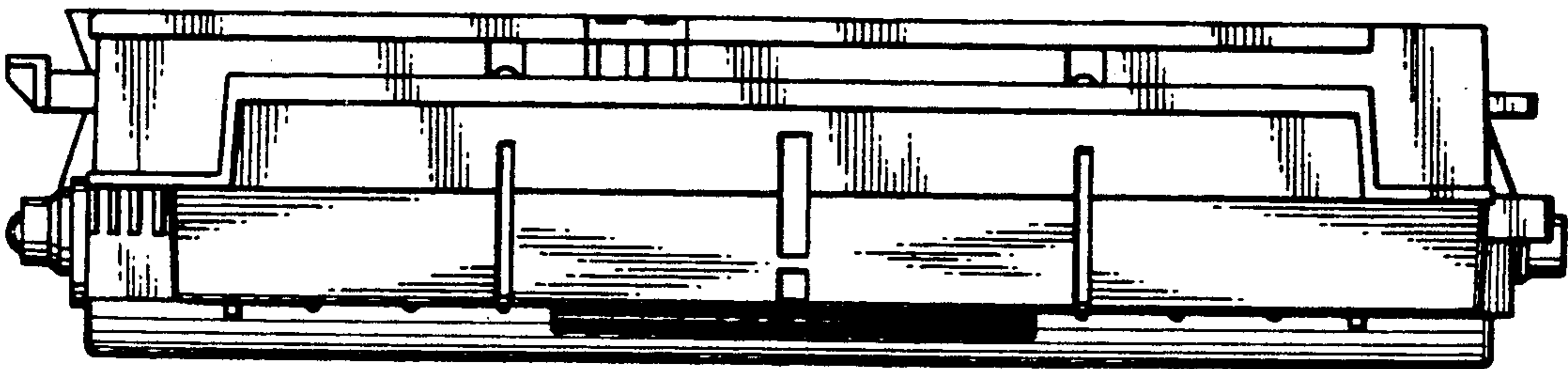
*Fig. 2*



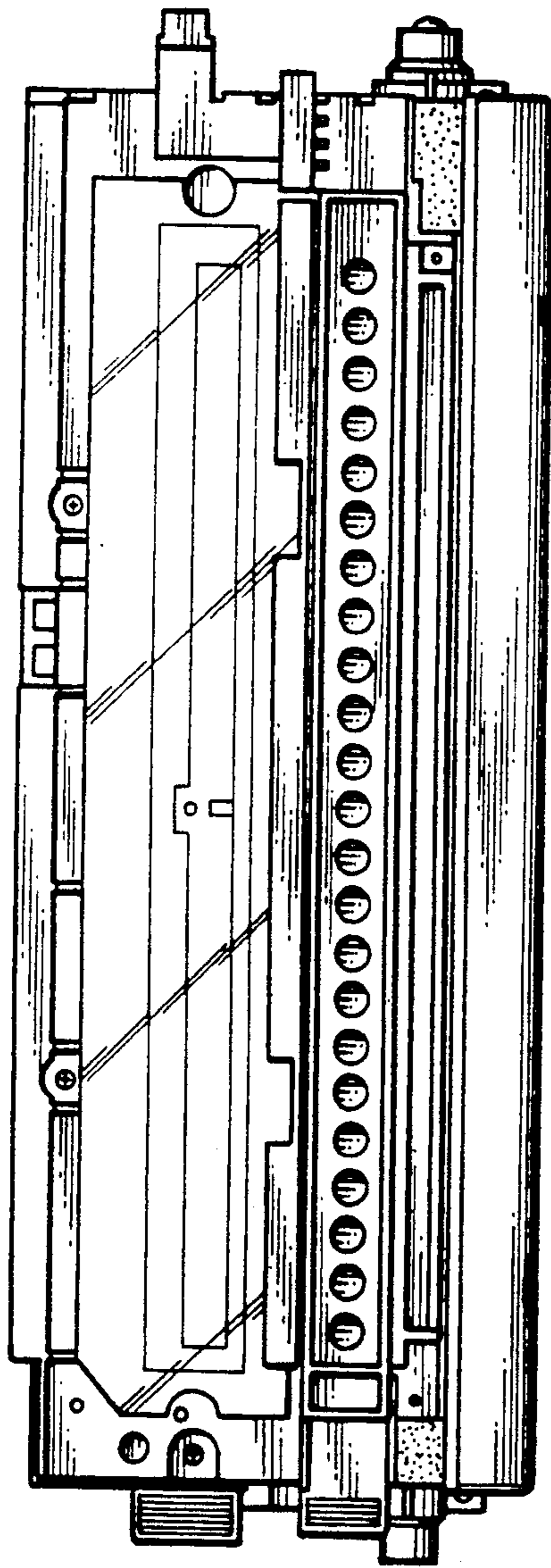
*Fig. 3*



*Fig. 4*



*Fig. 5*



*Fig. 6*

