



US00D327087S

United States Patent [19]

[11] Patent Number: **Des. 327,087**

Ivester

[45] Date of Patent: **** Jun. 16, 1992**

[54] **COMPUTER PRINTER OR SIMILAR ARTICLE**

[56] **References Cited**

[75] Inventor: **Gavin R. Ivester, Palo Alto, Calif.**

U.S. PATENT DOCUMENTS

- D. 264,978 6/1982 Ohno D18/13
- D. 271,775 12/1983 DuBois et al. D18/36
- D. 286,052 10/1986 Peart et al. D14/111
- D. 294,038 2/1988 Hadtke et al. D18/13
- D. 316,563 4/1991 Frenkler D18/13

[73] Assignee: **Apple Computer, Inc., Cupertino, Calif.**

Primary Examiner—A. Hugo Word
Assistant Examiner—Cathy Anne MacCormac
Attorney, Agent, or Firm—Franklyn C. Weiss

[*] Notice: The portion of the term of this patent subsequent to Jun. 23, 2006 has been disclaimed.

[57] CLAIM

The ornamental design for a computer printer or similar article, as shown and described.

[**] Term: **14 Years**

DESCRIPTION

[21] Appl. No.: **508,909**

FIG. 1 is a top, front, right side perspective view of a computer printer or similar article, showing my new design;

FIG. 2 is a front elevational view thereof;

FIG. 3 is a rear elevational view thereof;

FIG. 4 is a right side elevational view thereof;

FIG. 5 is a left side elevational view thereof;

FIG. 6 is a top plan view thereof; and,

FIG. 7 is a bottom plan view thereof on an enlarged scale.

[22] Filed: **Sep. 11, 1990**

[52] U.S. Cl. **D18/54**

[58] Field of Search D18/6, 13, 34, 36, 39;
D14/100, 106, 107, 108, 118, 141, 144;
D3/30.1, 33, 72-74, 76; 400/208, 613, 691-694,
613.1-613.4

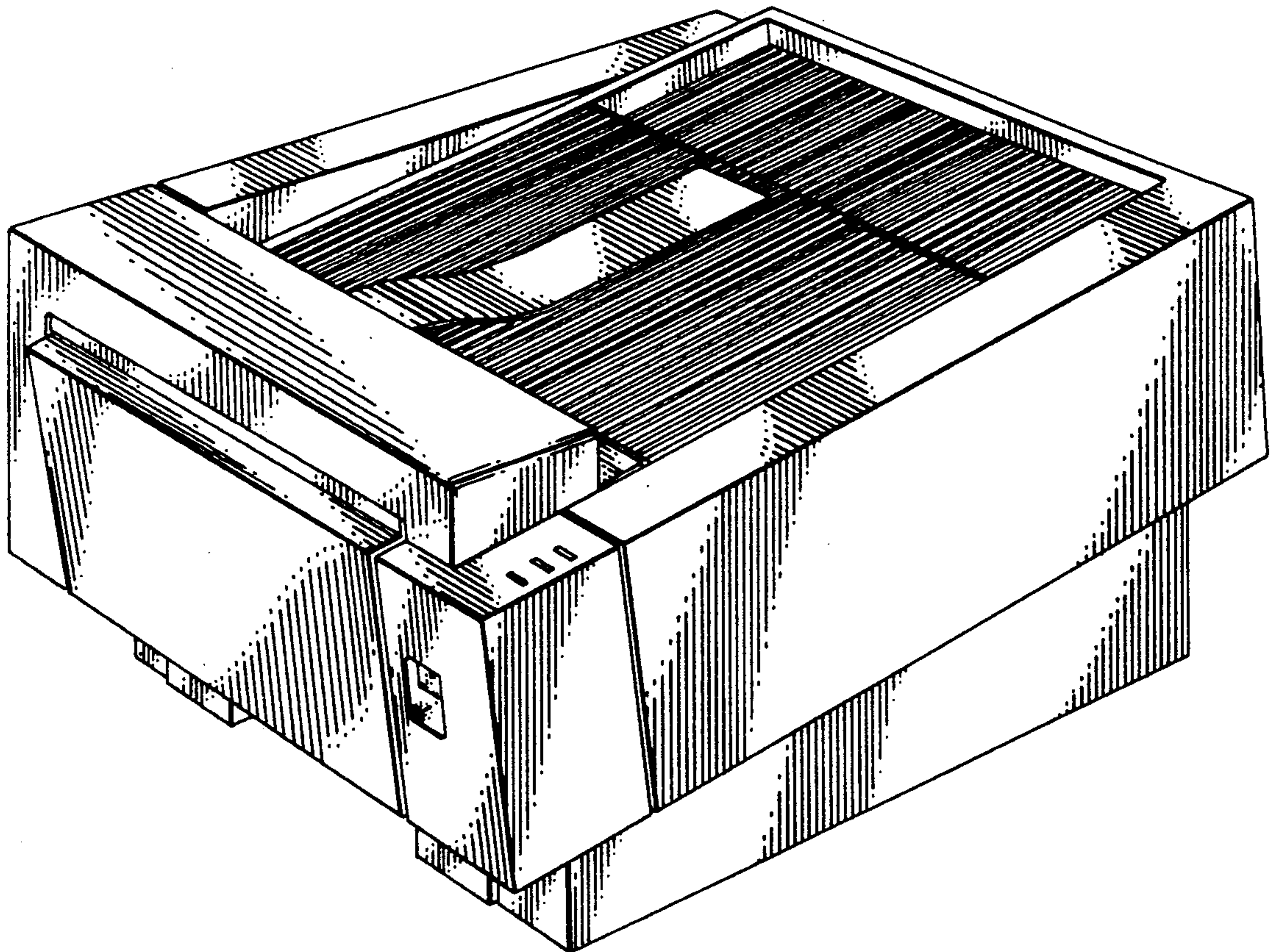


FIG 1

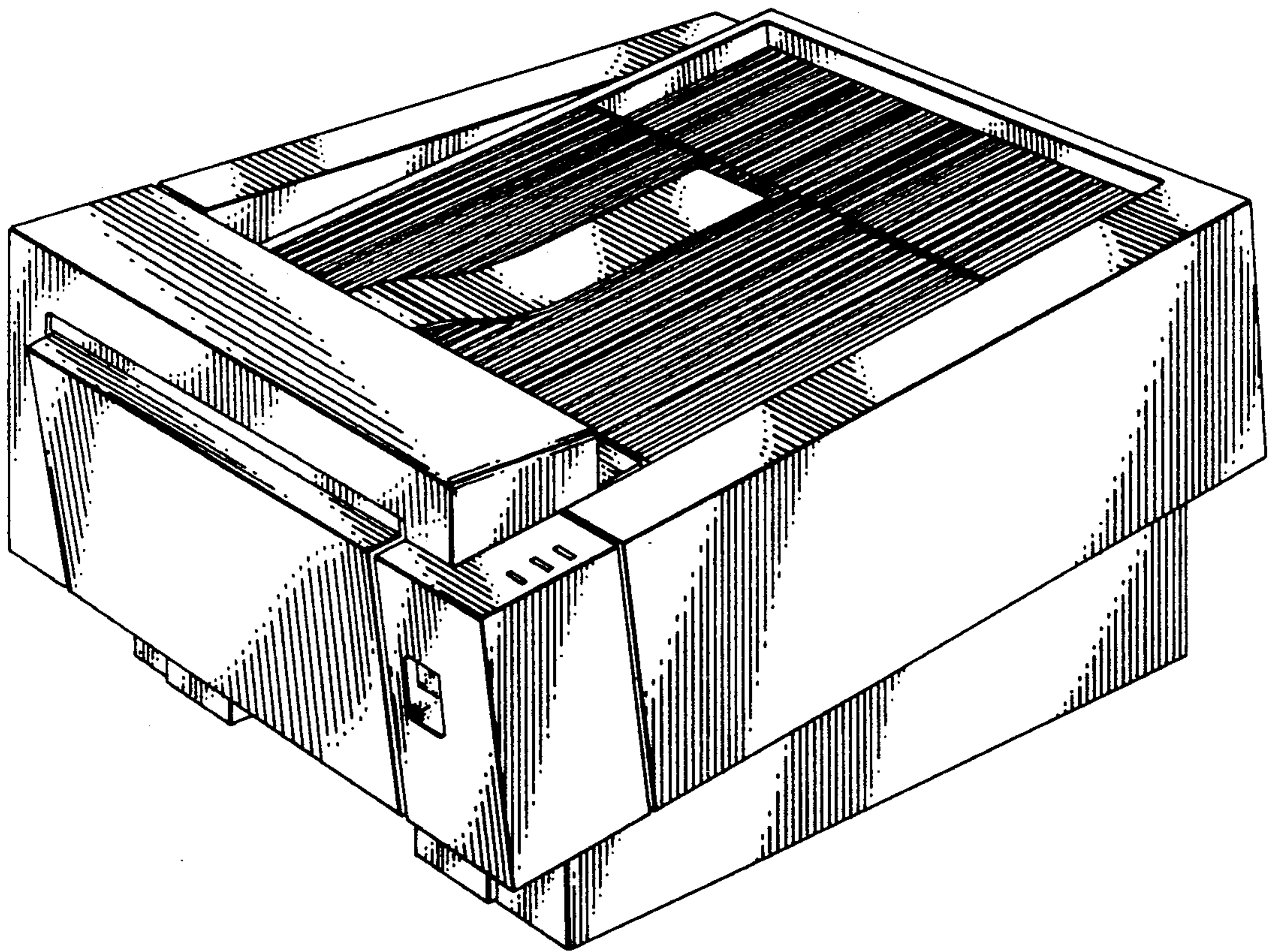


FIG 2

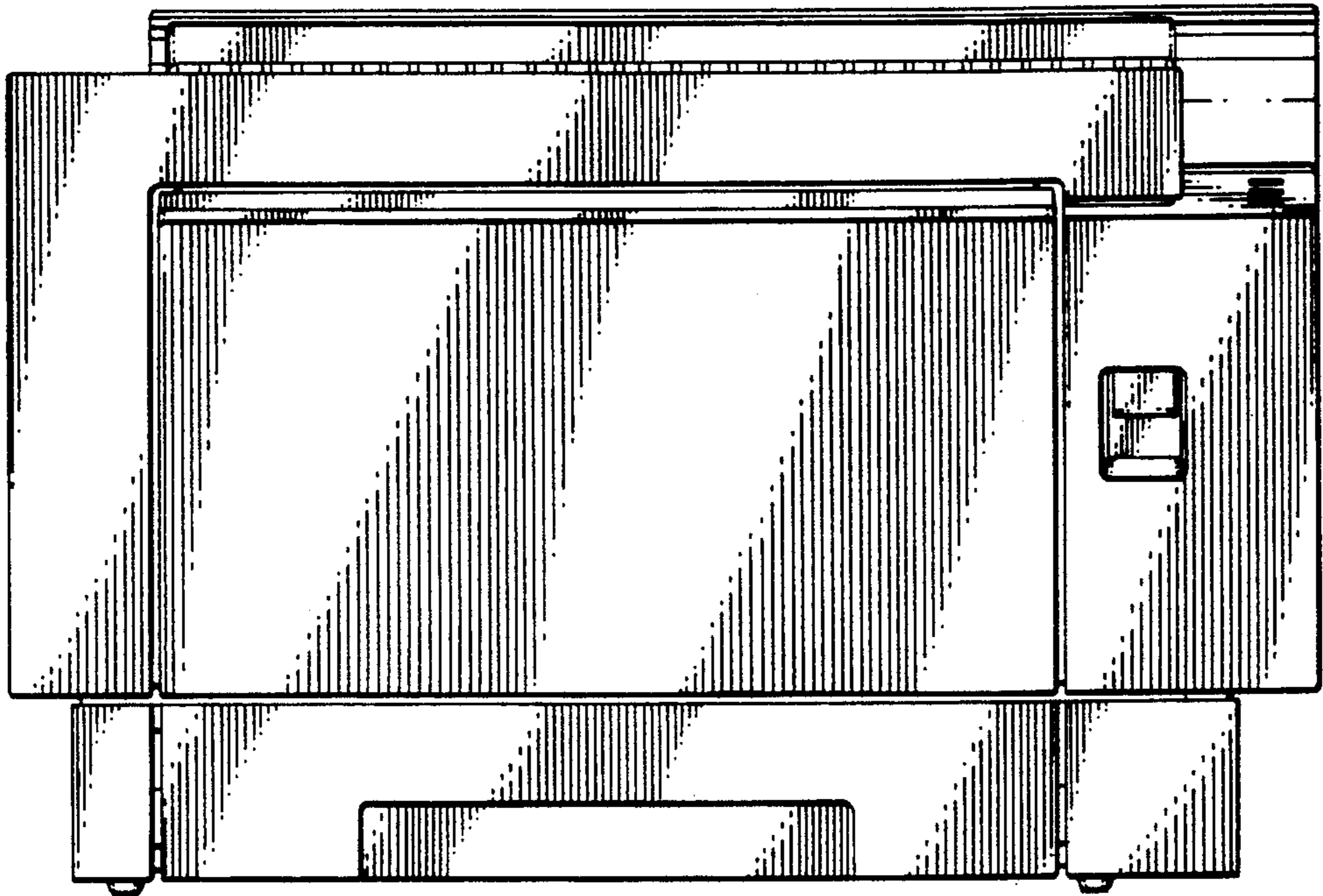


FIG 3

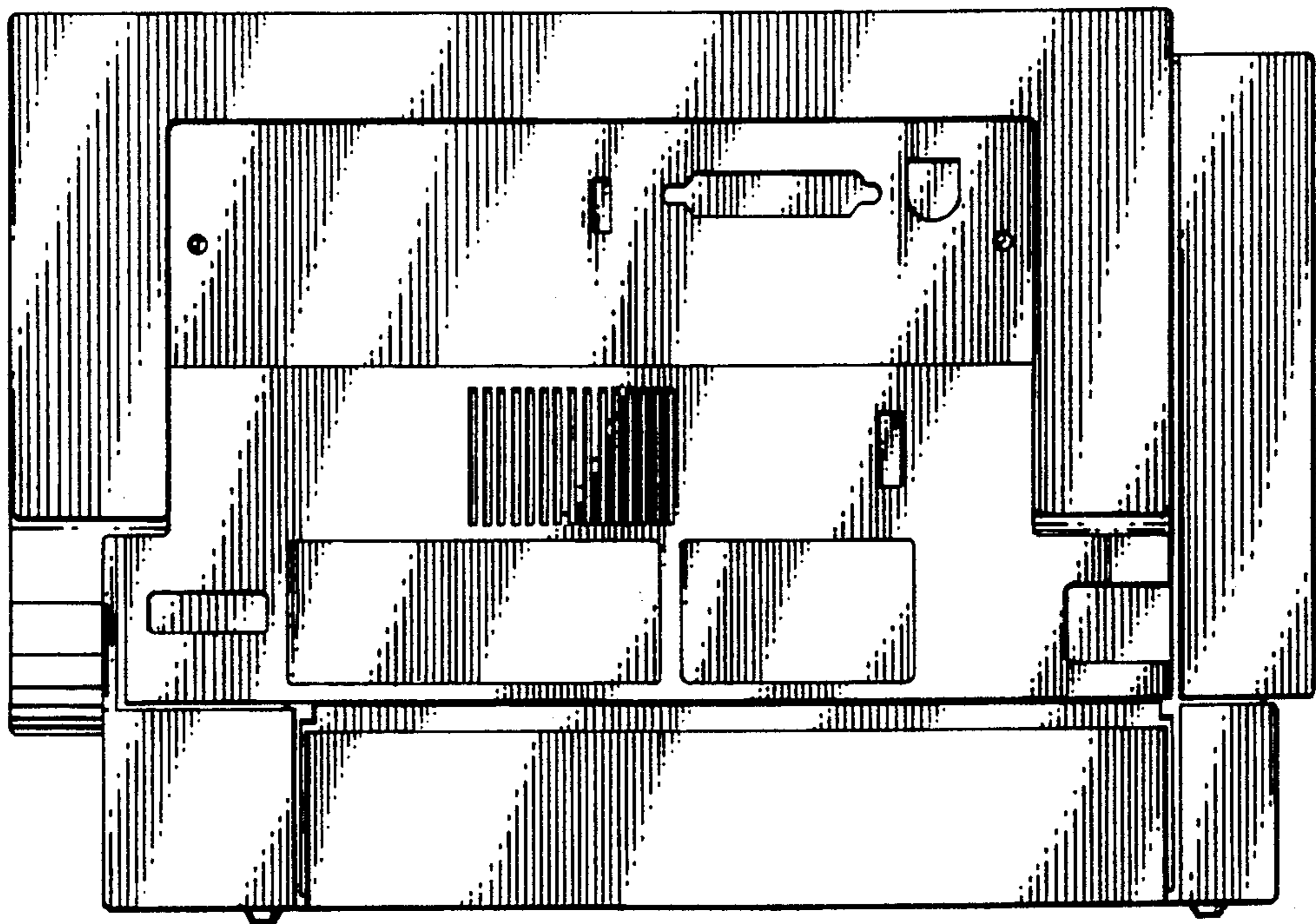


FIG 4

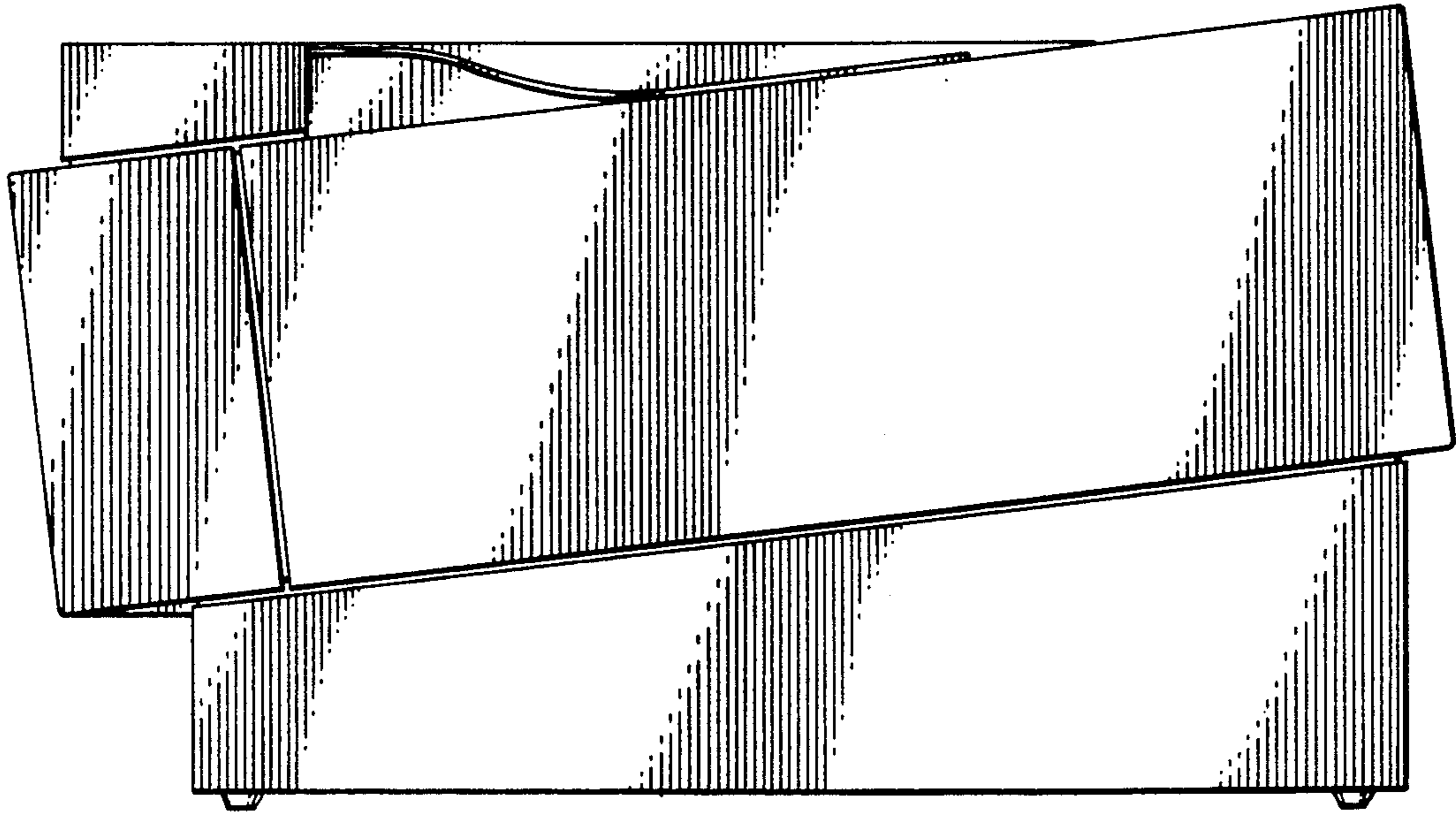


FIG 5

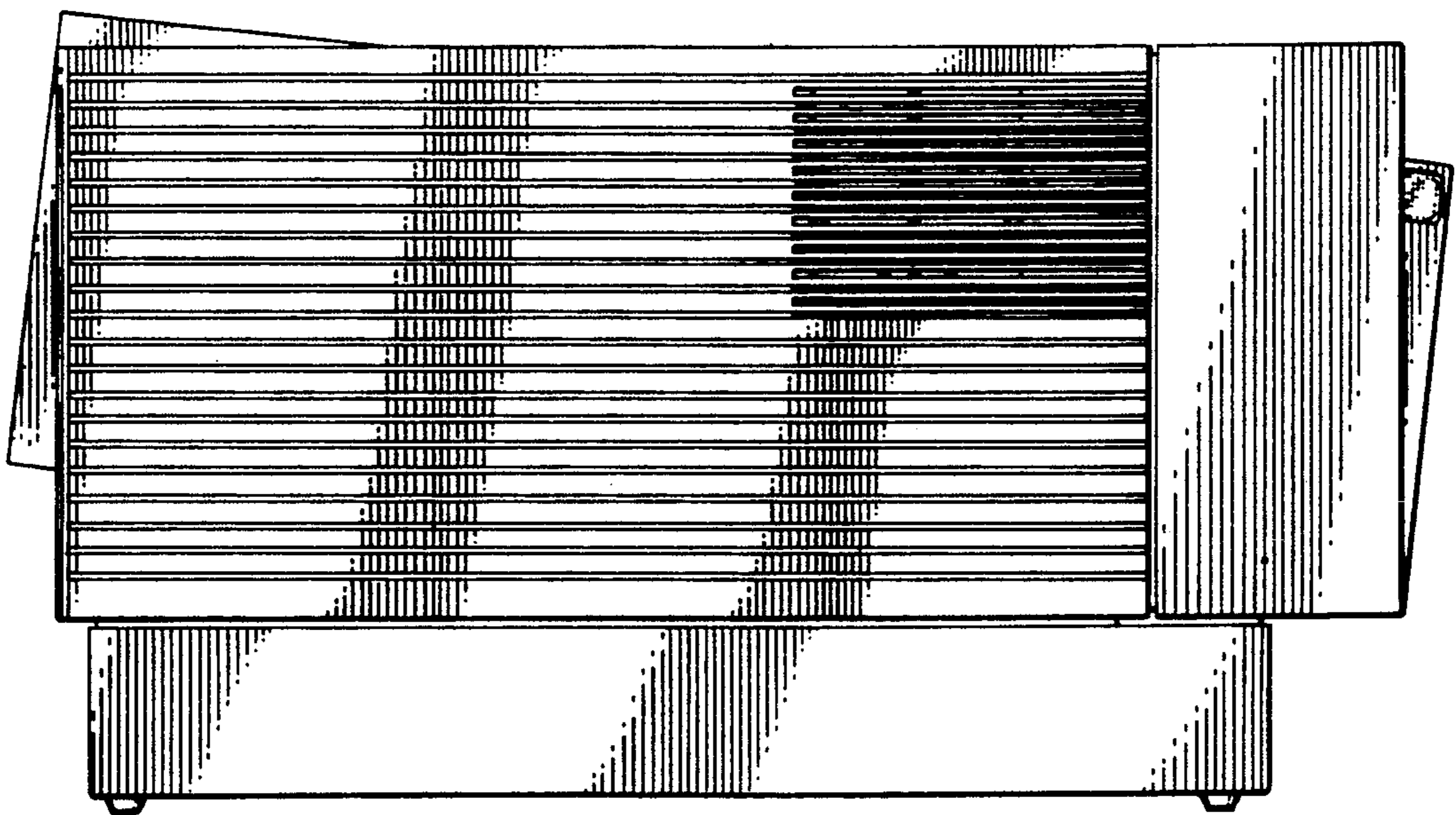


FIG 6

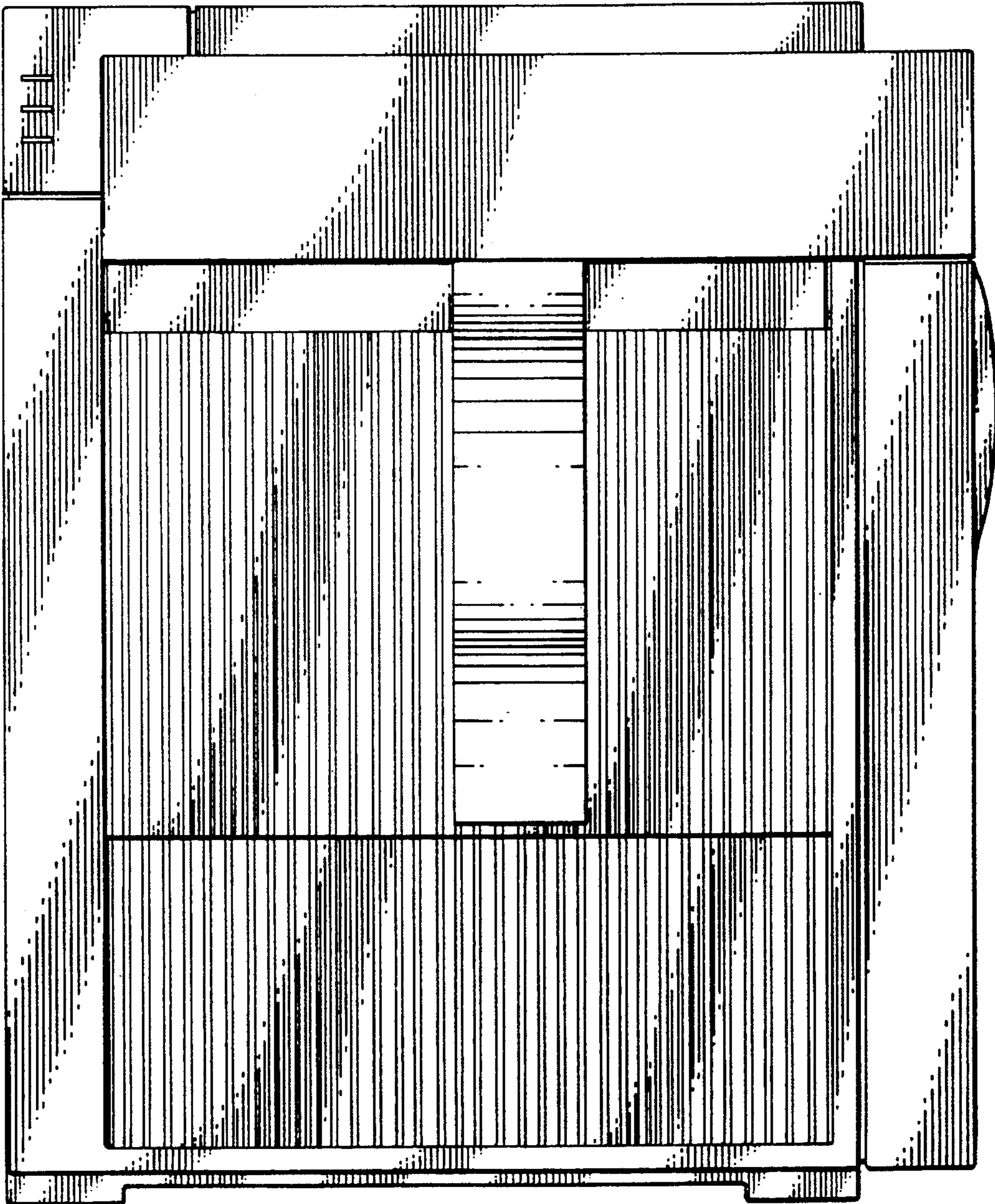


FIG 7

