



US00D327084S

United States Patent [19] Miyachi

[11] Patent Number: **Des. 327,084**
[45] Date of Patent: **** Jun. 16, 1992**

[54] CAMERA PANHEAD

D. 294,150 2/1988 Iwasaki D16/245
2,318,910 5/1943 Zucker 248/183

[75] Inventor: **Teru Miyachi, Tokyo, Japan**

[73] Assignee: **Velbon International Corporation,
Torrance, Calif.**

[*] Notice: The portion of the term of this patent subsequent to Jun. 16, 2006 has been disclaimed.

[**] Term: **14 Years**

[21] Appl. No.: **360,739**

[22] Filed: **Jun. 2, 1989**

[52] U.S. Cl. **D16/245**

[58] Field of Search **D16/244, 245;
248/183-185, 284; 354/293-295**

[56] **References Cited**

U.S. PATENT DOCUMENTS

D. 262,635 1/1982 Iwasaki D16/245
D. 265,481 7/1982 Iwasaki D16/245
D. 276,730 12/1984 Nakatani D16/245
D. 289,899 5/1987 Iwasaki D16/245

OTHER PUBLICATIONS

Popular Science, Sep. 1947 p. 226.

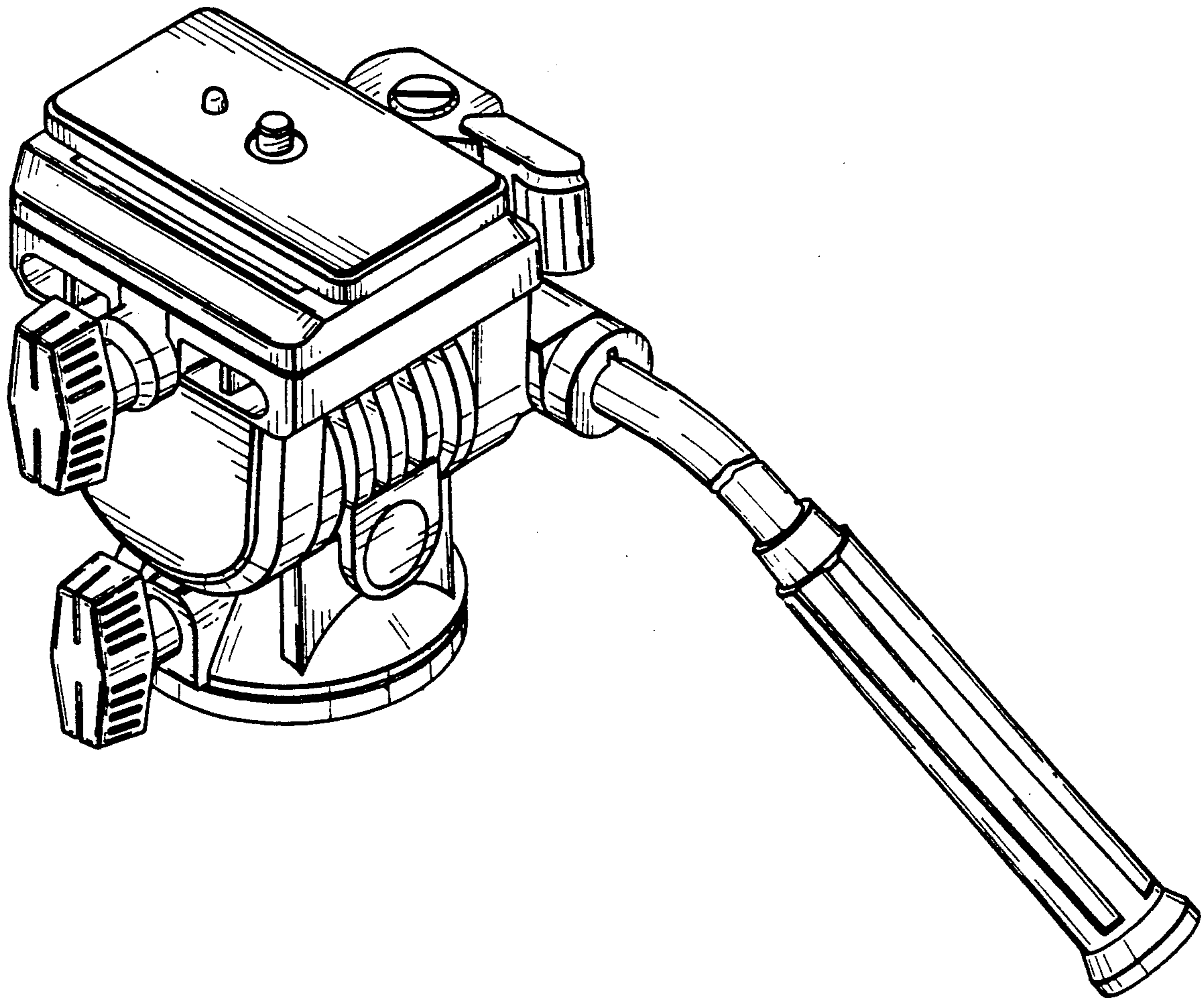
Primary Examiner—Bernard Ansher
Assistant Examiner—Adir Aronovich
Attorney, Agent, or Firm—Beehler & Pavitt

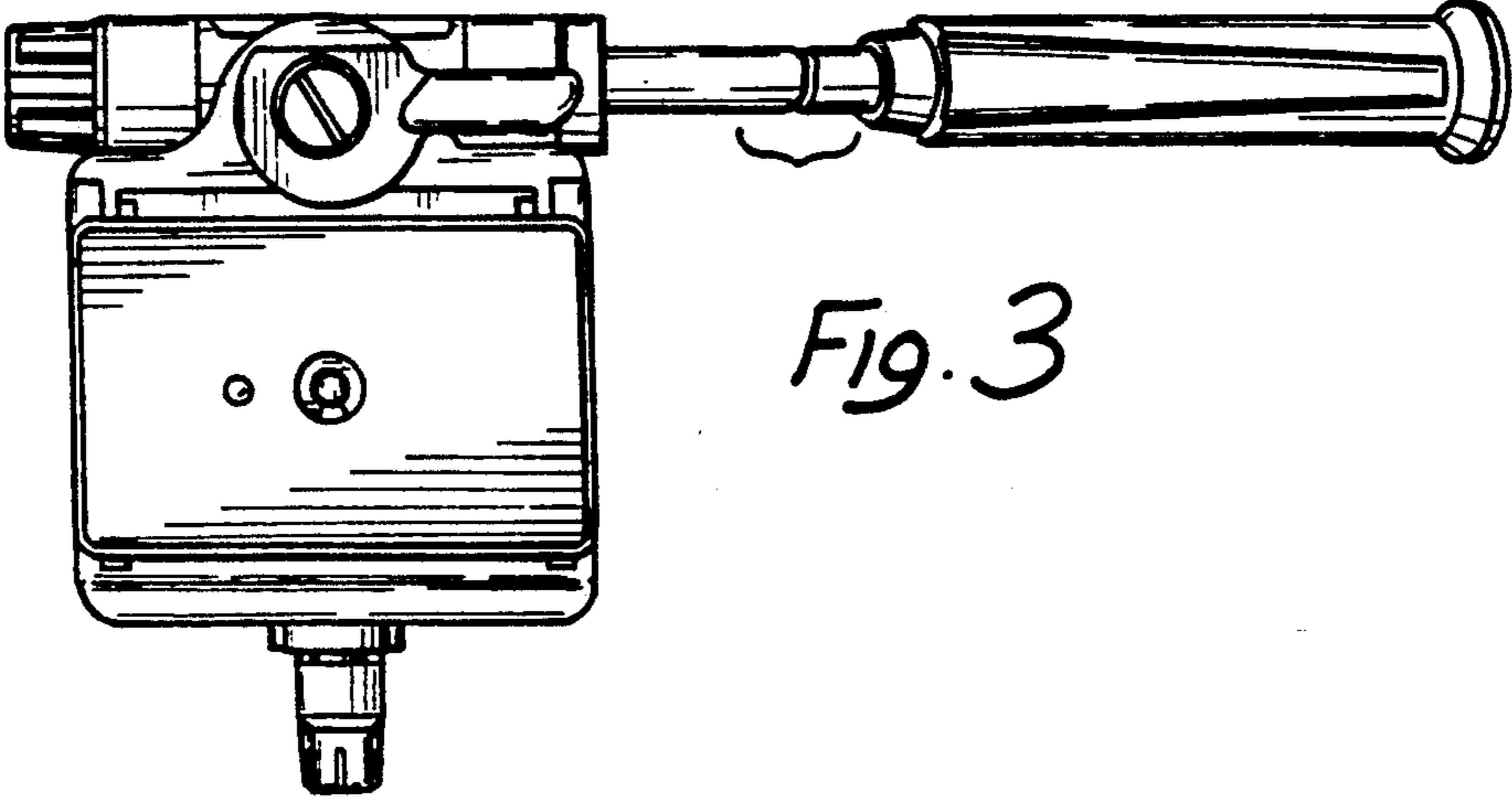
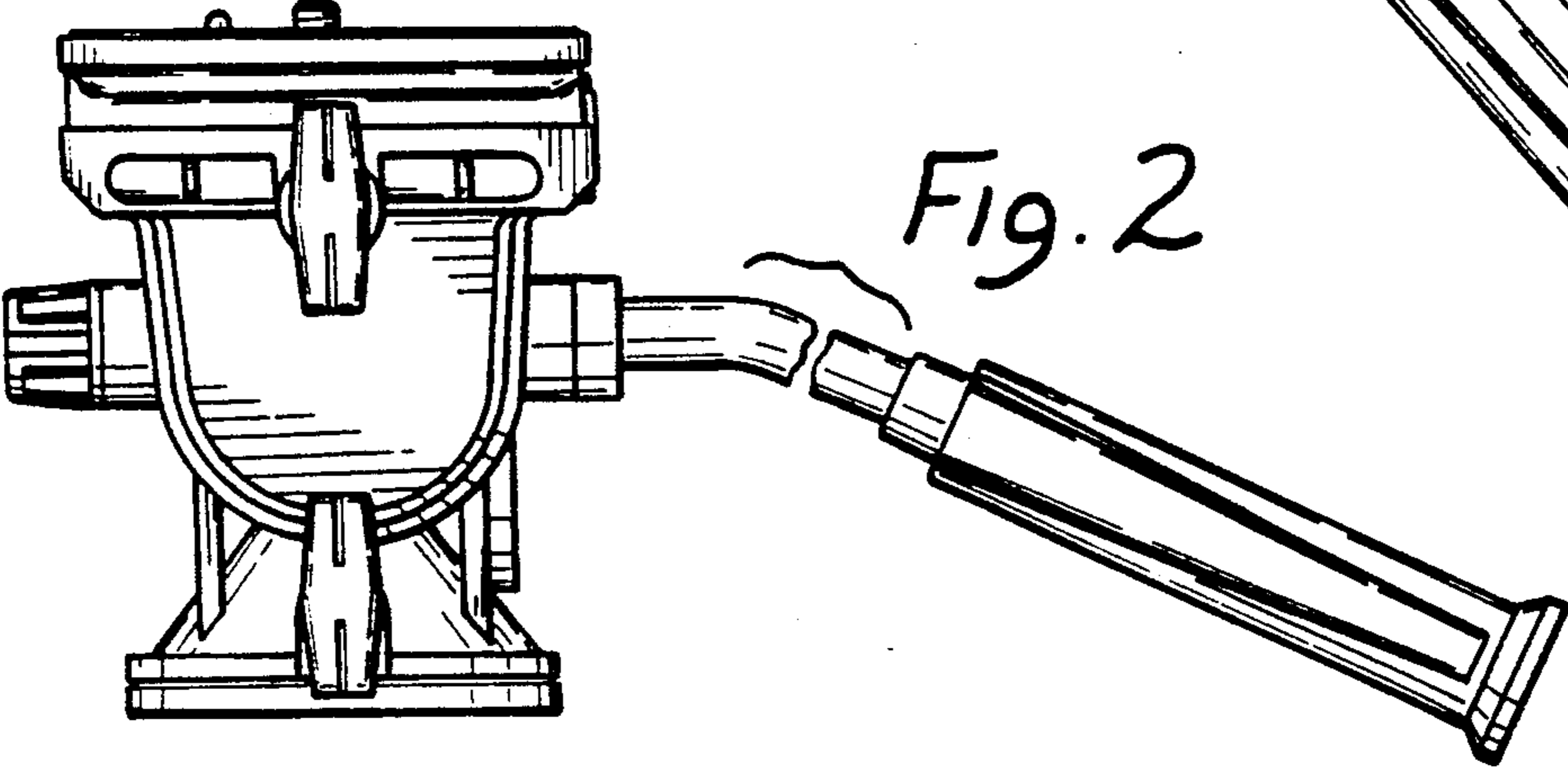
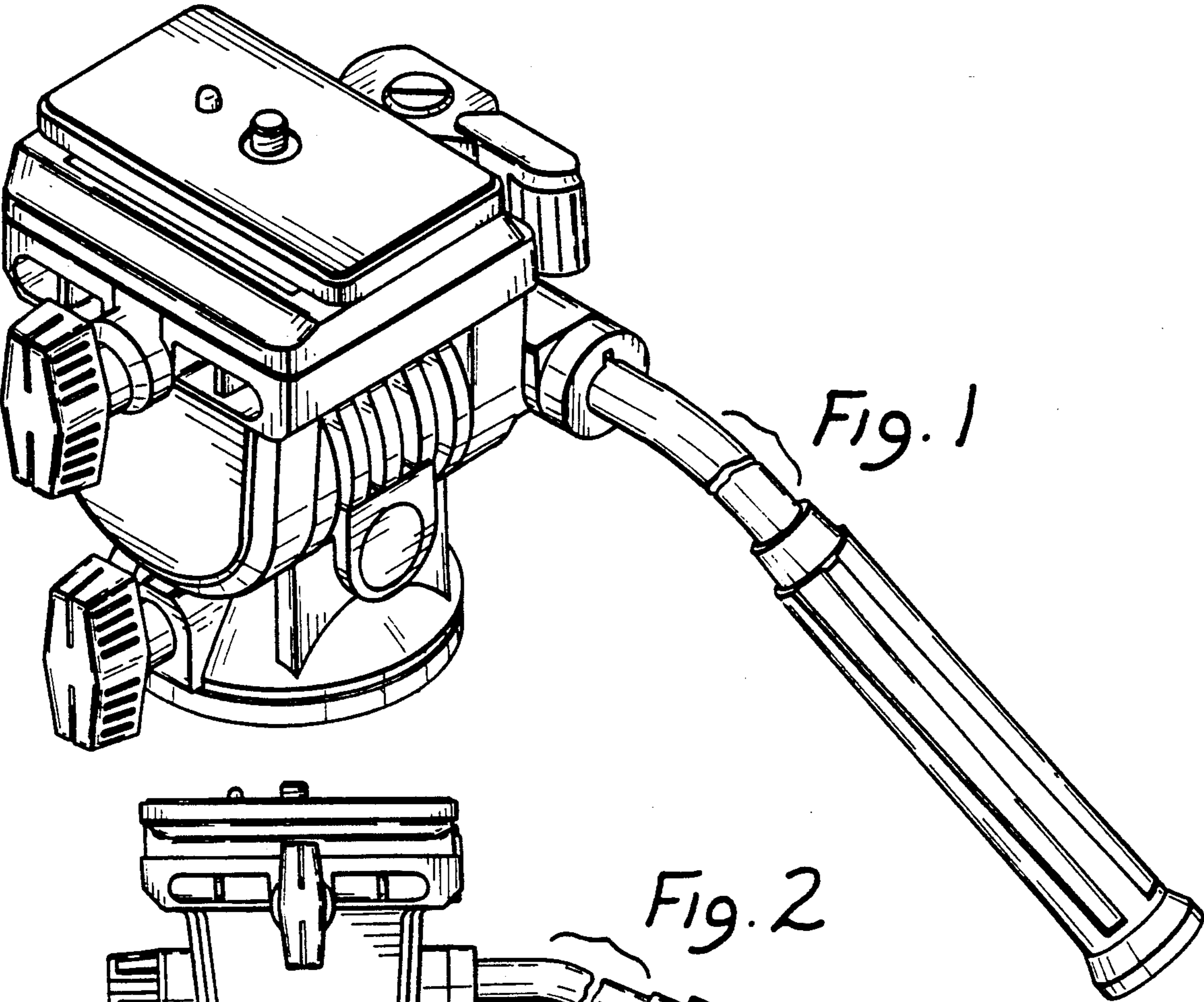
[57] **CLAIM**

The ornamental design for a camera panhead, as shown and described.

DESCRIPTION

FIG. 1 is an enlarged top, rear perspective view of camera panhead showing my new design, the handle is broken away to indicate indeterminate length;
FIG. 2 is a left side elevational view thereof, drawn at a reduced scale;
FIG. 3 is a top plan view thereof;
FIG. 4 is a rear side elevational view thereof;
FIG. 5 is a right side elevational view thereof; and,
FIG. 6 is a front elevational view thereof;
FIG. 7 is a bottom plan view thereof.





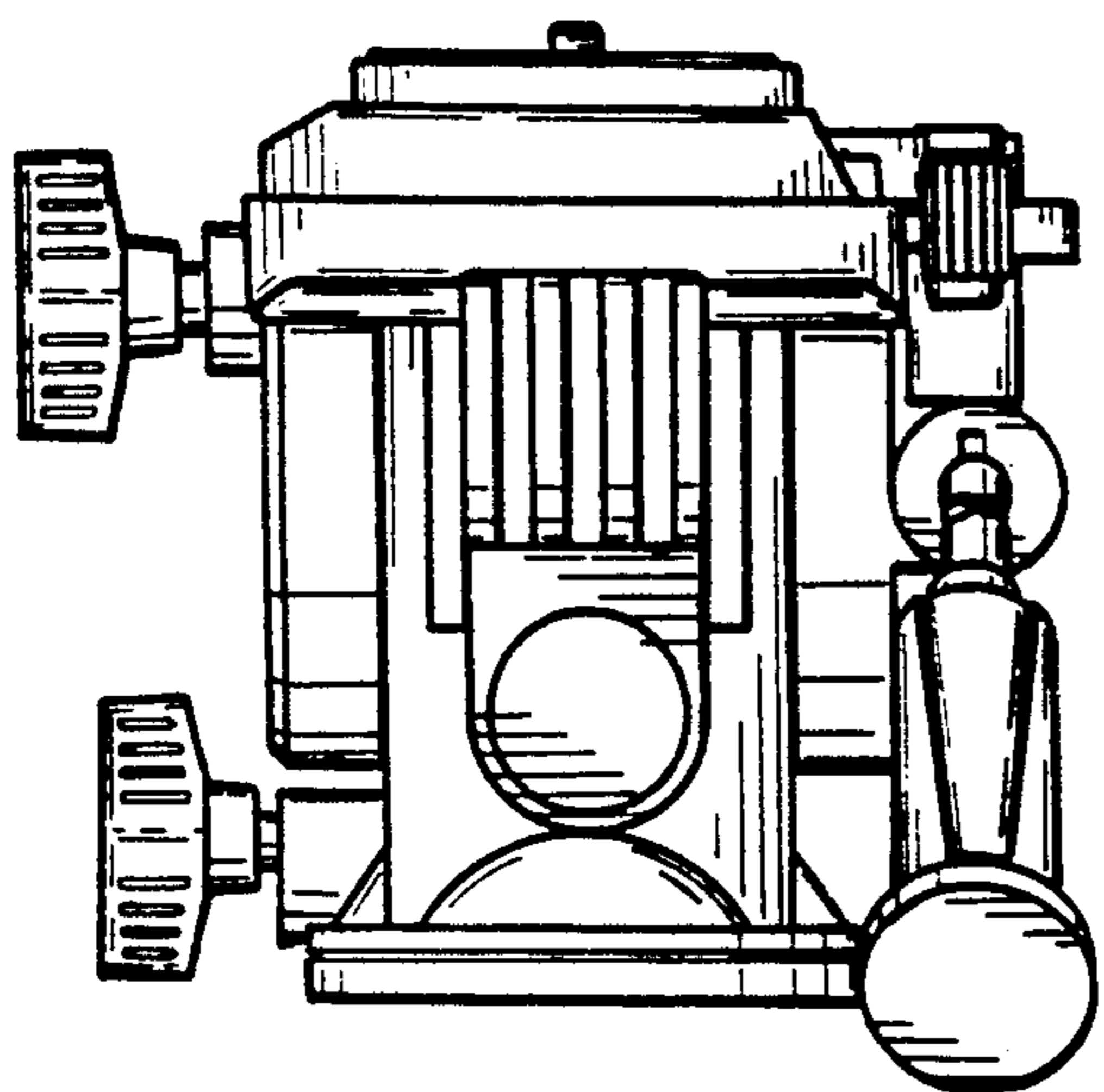


Fig. 4

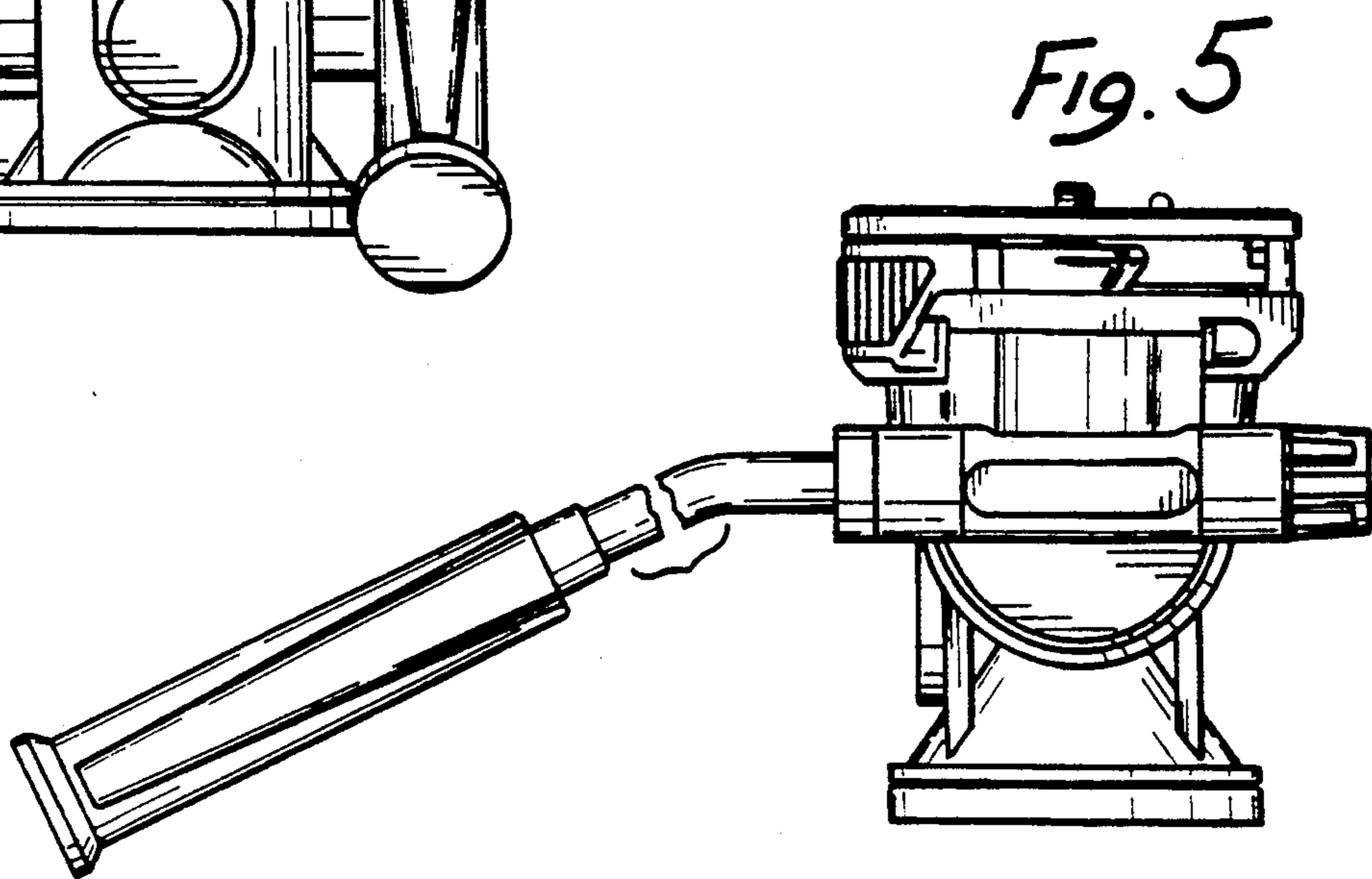


Fig. 5

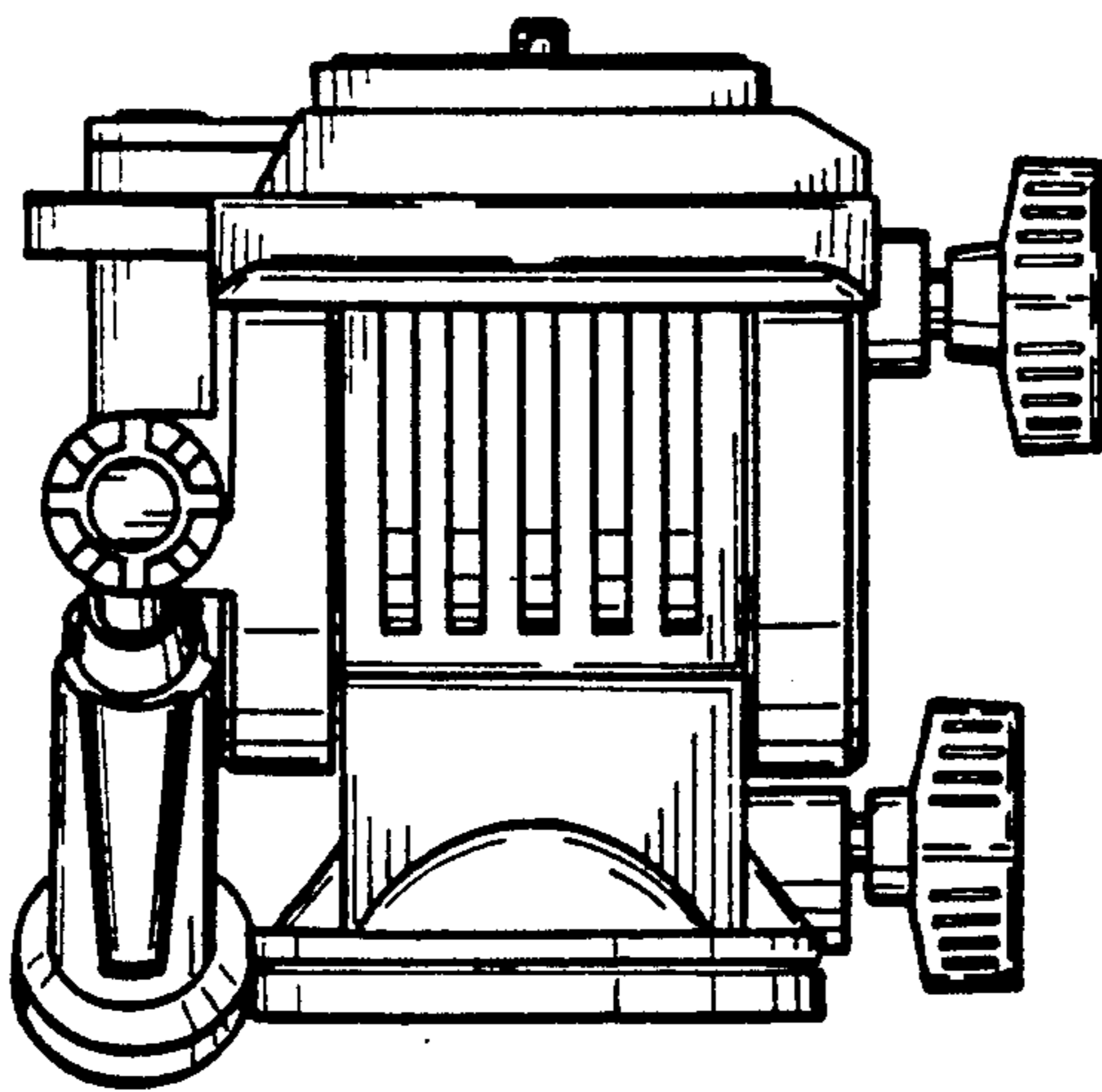


Fig. 6

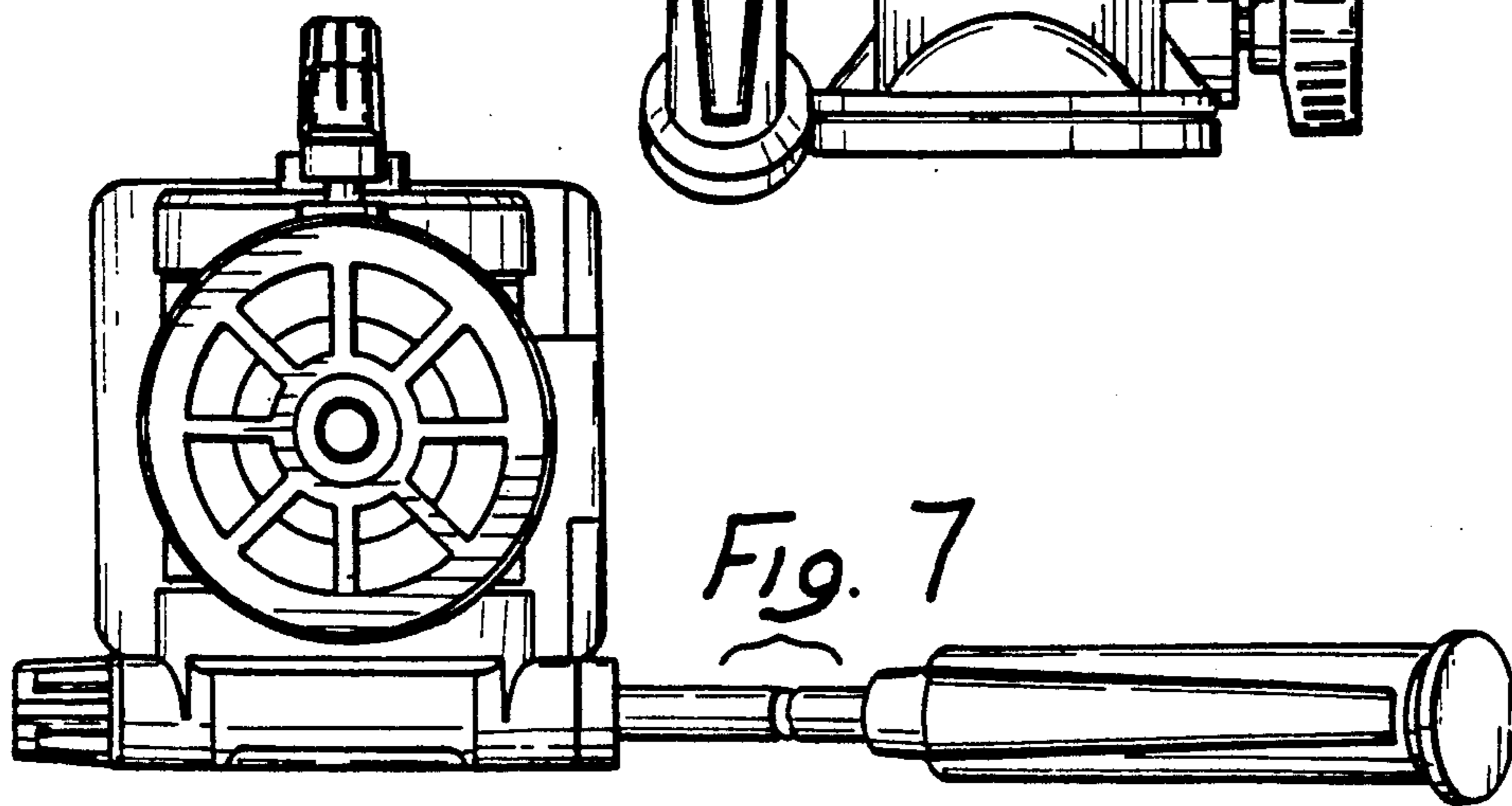


Fig. 7