



US00D327077S

United States Patent [19]

[11] Patent Number: **Des. 327,077**

Bailey et al.

[45] Date of Patent: **** Jun. 16, 1992**

[54] INDEXING TOOL

[56] References Cited

[75] Inventors: **Donald Bailey**, Bloomfield Hills;
Donald Mustonen, Rochester Hills;
Timothy Allen, Northville; **Paul Williams**, Farmington Hills, all of Mich.

U.S. PATENT DOCUMENTS

2,324,476	7/1943	Becker	33/537
2,345,312	3/1944	Sorensen	33/537
2,524,538	10/1950	Pearson	33/537
3,063,155	11/1962	Prefontaine	33/537
3,736,666	6/1973	Sutter	33/537

[73] Assignee: **Suburban Tool, Inc.**, Birmingham, Mich.

Primary Examiner—Donald P. Walsh
Assistant Examiner—Antoine D. Davis
Attorney, Agent, or Firm—Weintraub, DuRoss & Brady

[**] Term: **14 Years**

[57] CLAIM

The ornamental design for a indexing tool, as shown.

[21] Appl. No.: **507,892**

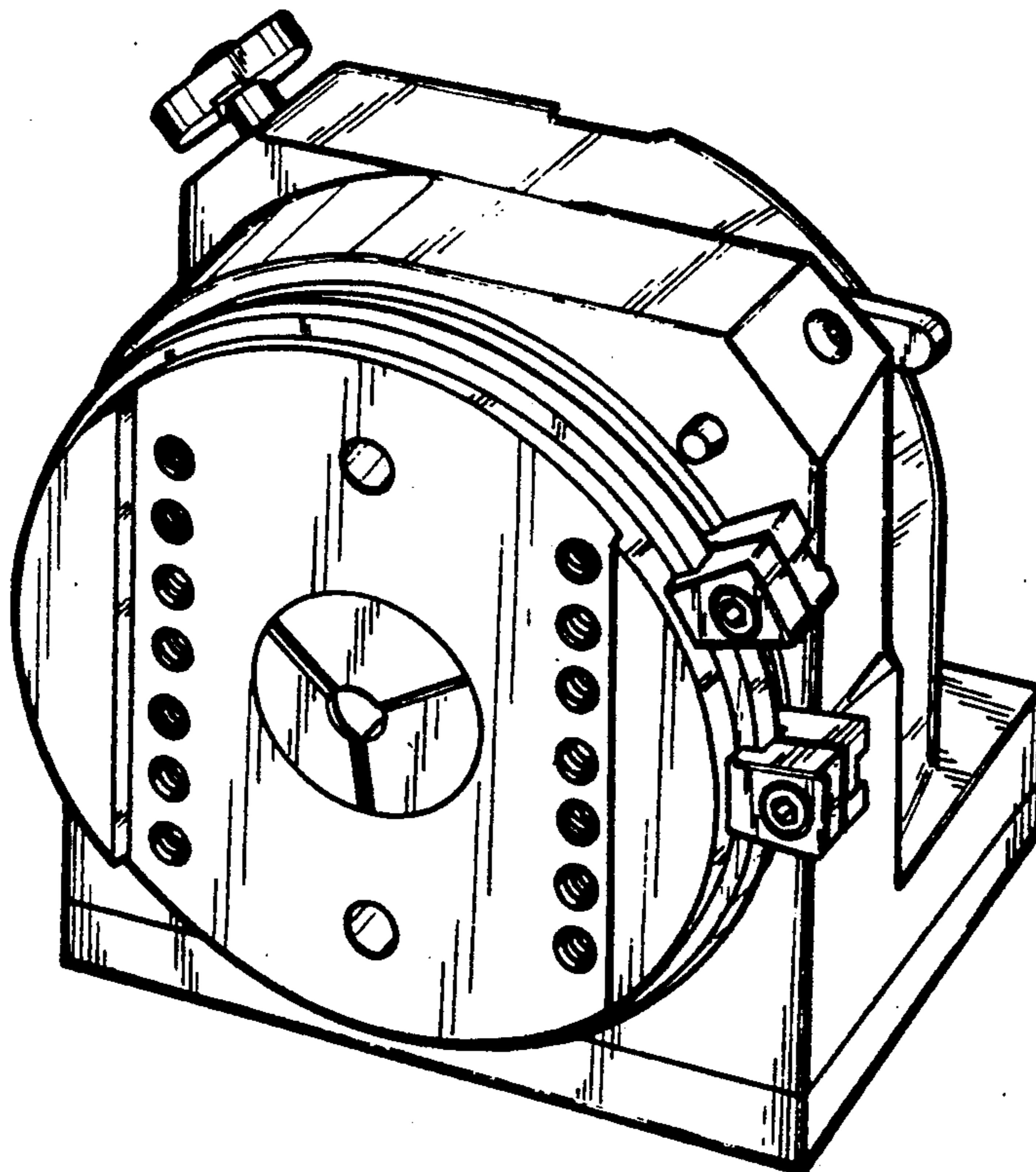
DESCRIPTION

[22] Filed: **Apr. 12, 1990**

[52] U.S. Cl. **D15/138**

[58] Field of Search **D15/138; 33/537; 29/406**

FIG. 1 is a rear perspective view of an indexing tool showing our new design;
FIG. 2 is a front perspective view;
FIG. 3 is a left side elevational view;
FIG. 4 is a front elevational view;
FIG. 5 is a right side elevational view; and,
FIG. 6 is another embodiment of FIGS. 1-5 showing our new design thereof.



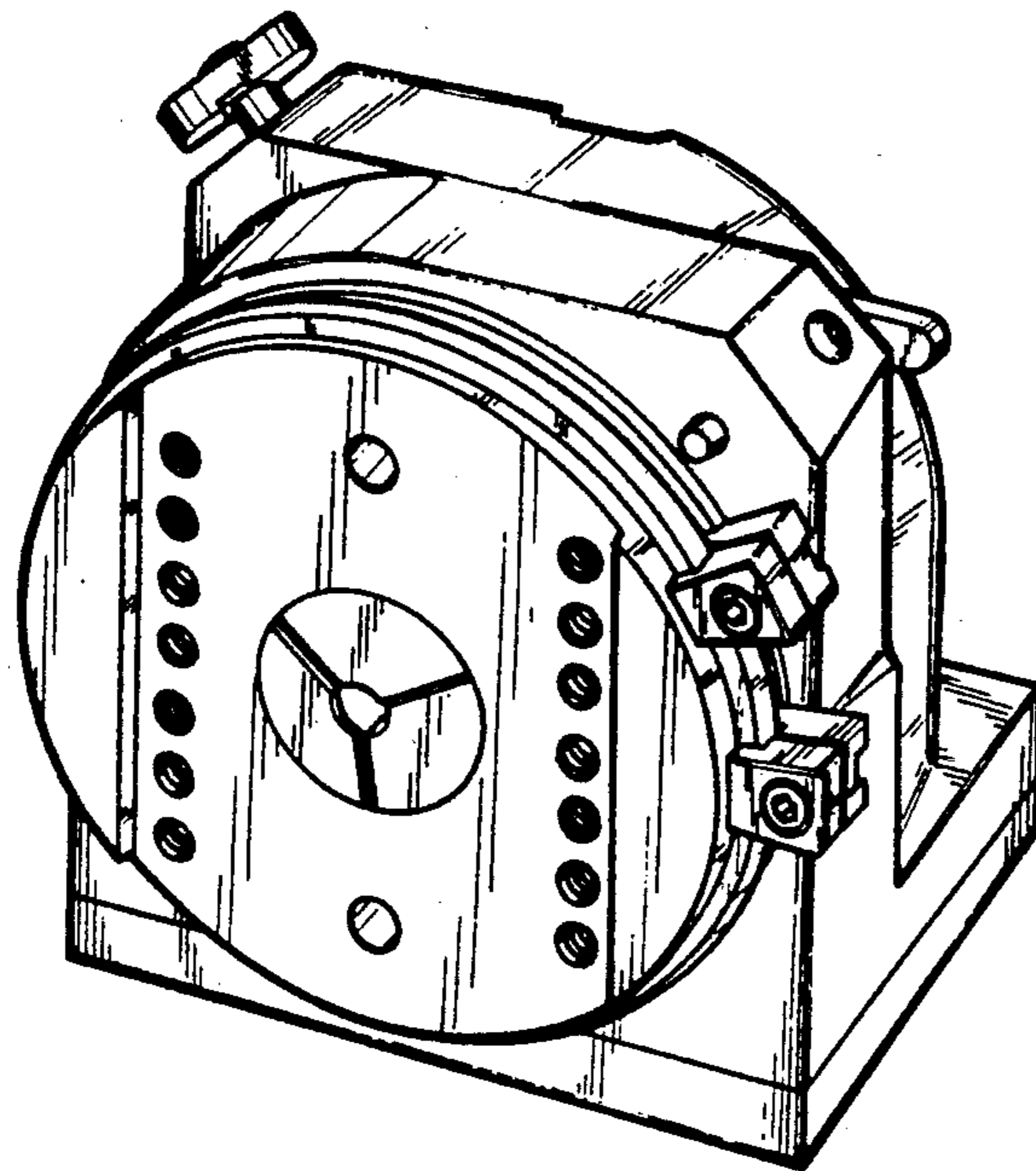


Fig-1

Fig-2

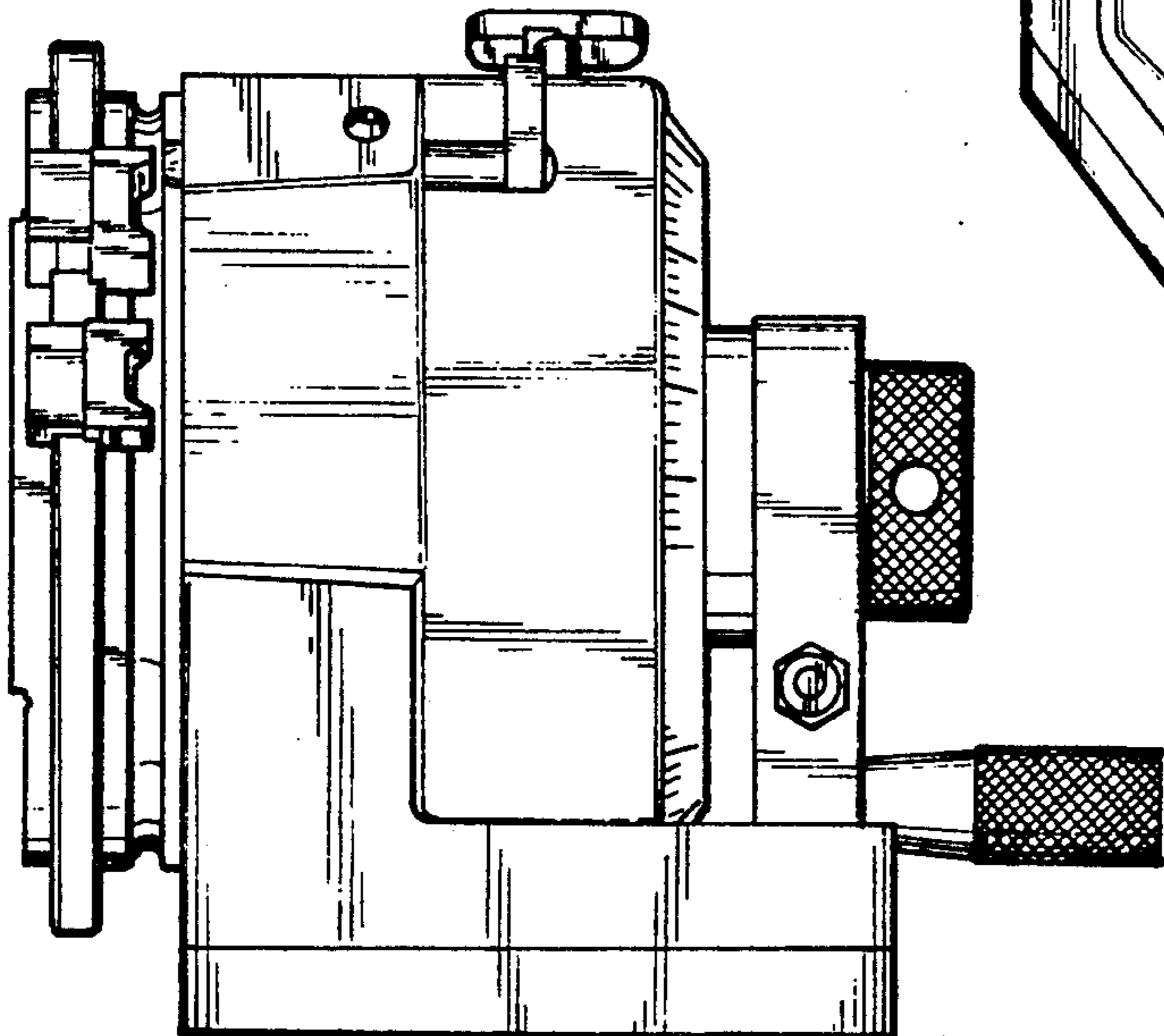
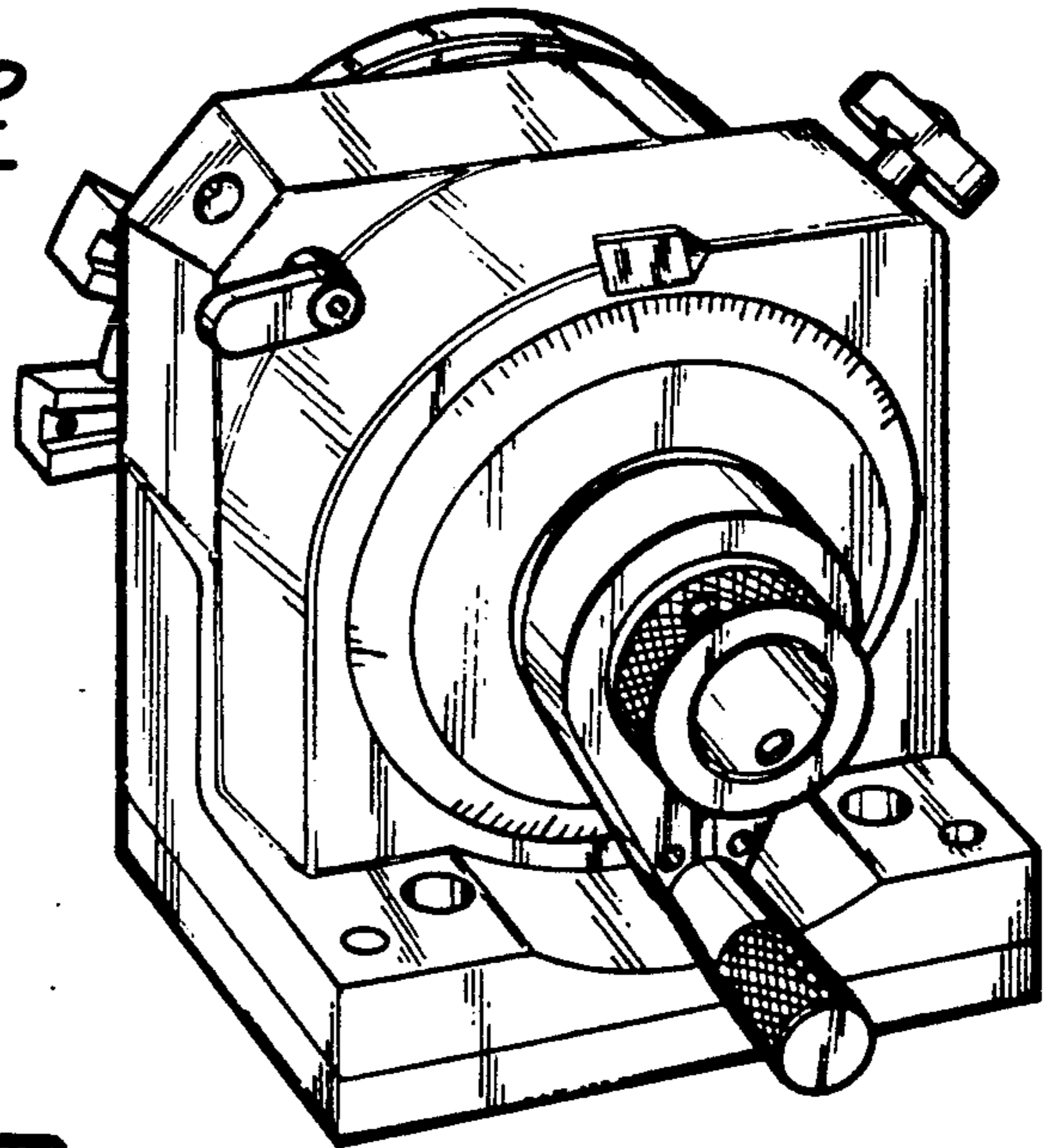


Fig-3

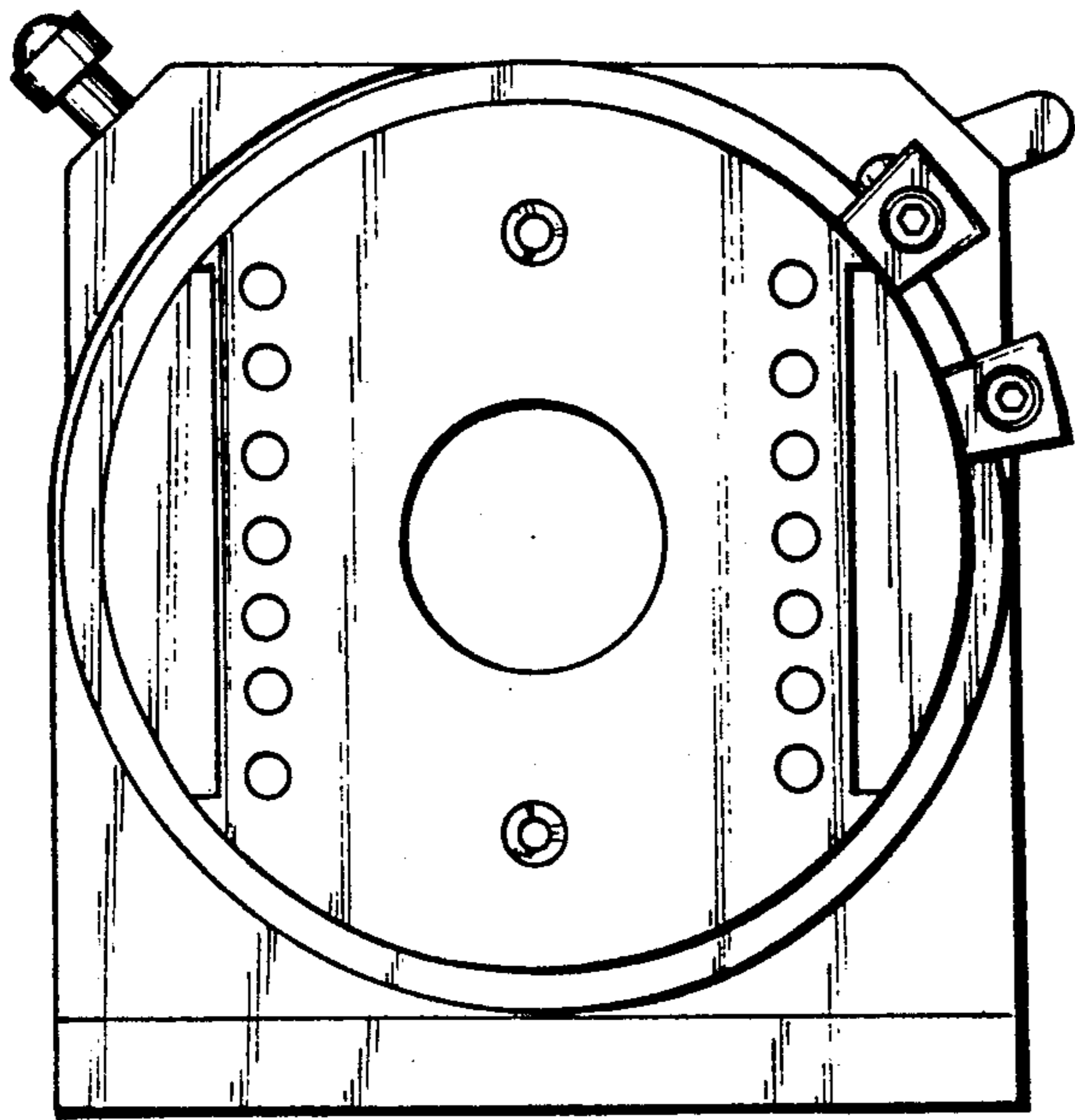


Fig-4

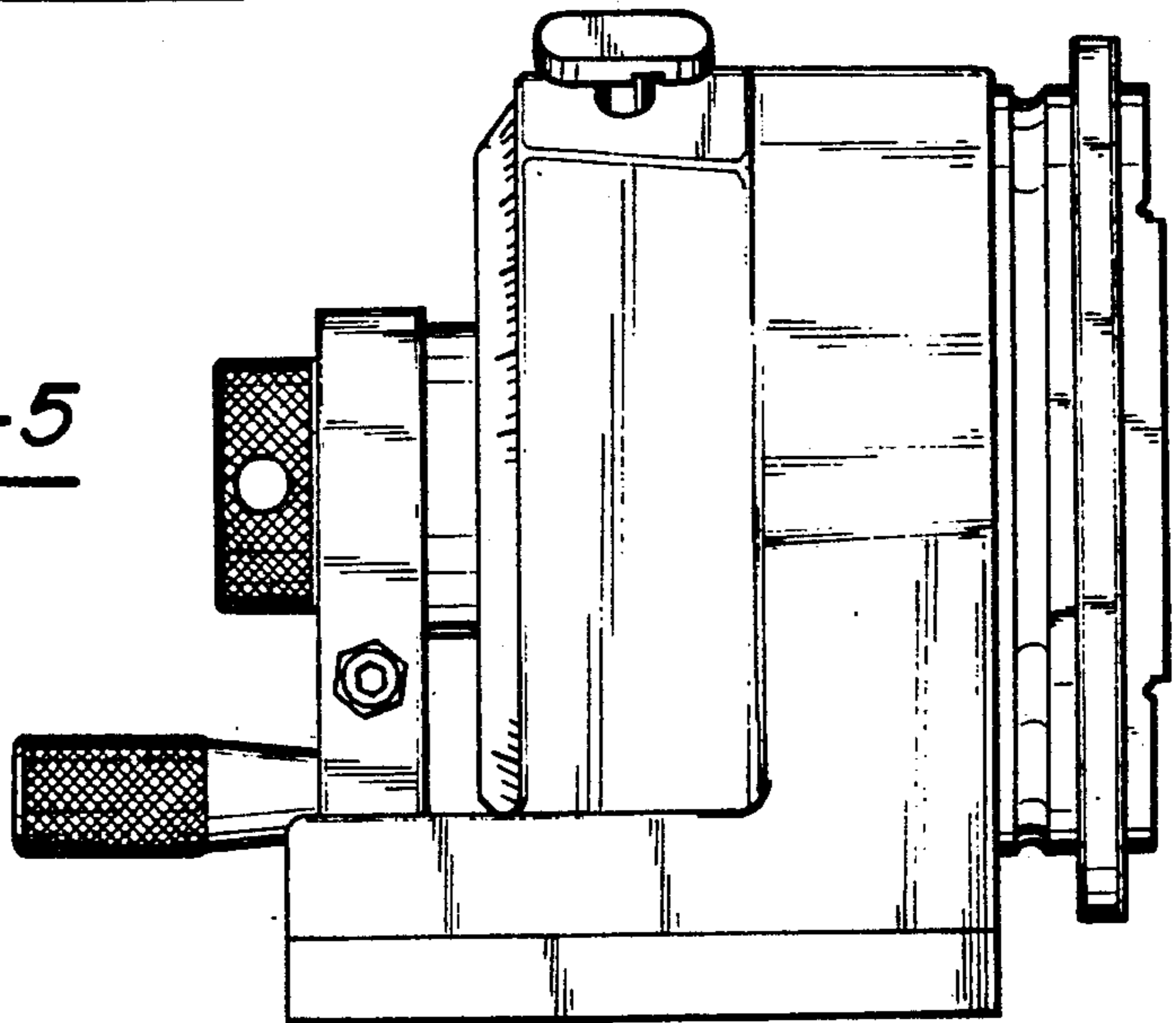


Fig-5

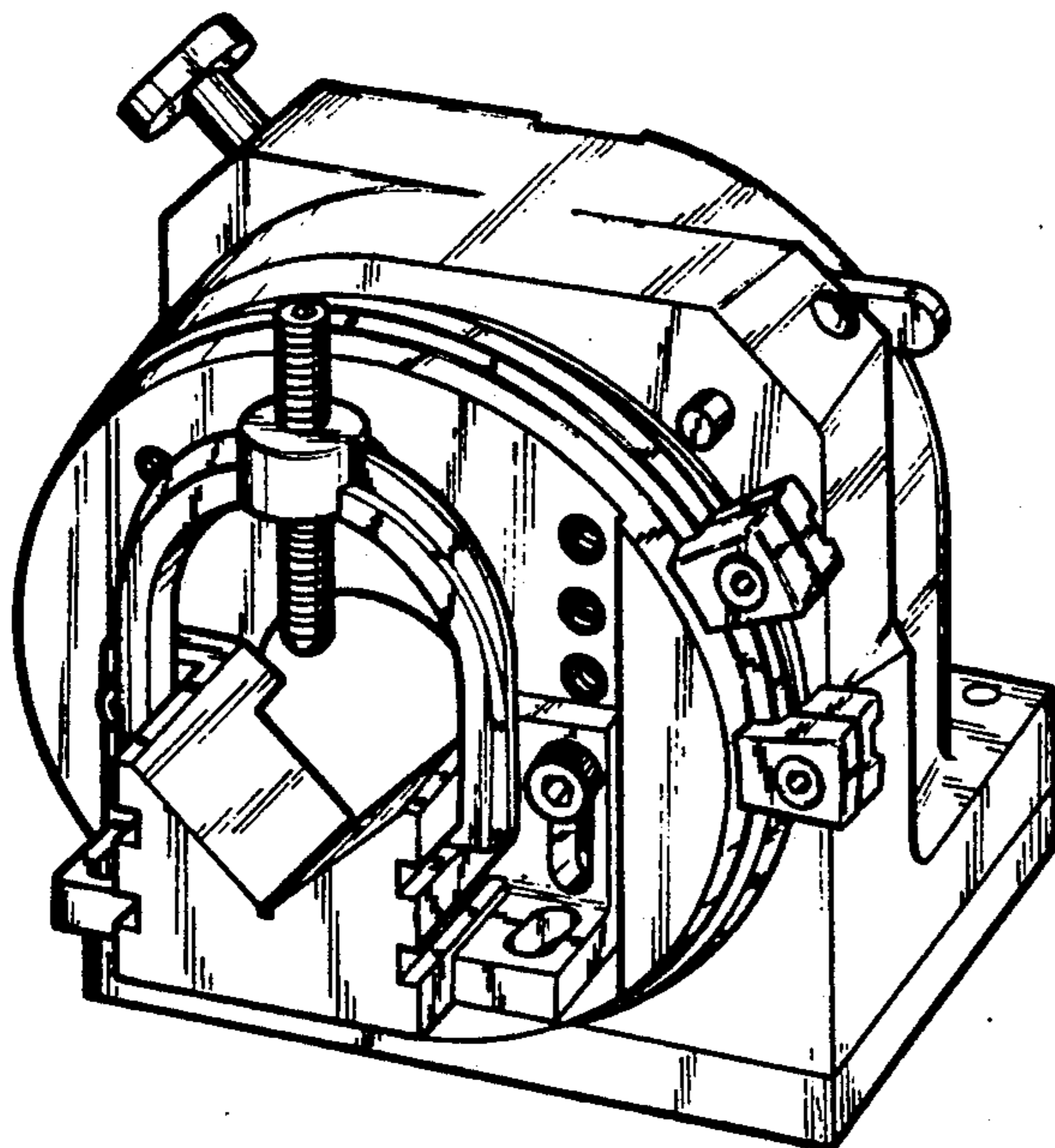


Fig-6