



US00D327075S

# United States Patent [19]

[11] Patent Number: **Des. 327,075**

Tiedemann

[45] Date of Patent: **\*\* Jun. 16, 1992**

[54] WHIRLPOOL PUMP

4,897,023 1/1990 Bingler ..... 417/423.15

[76] Inventor: **Robert J. Tiedemann**, 417 Courtland Ave., Stamford, Conn. 06906

### OTHER PUBLICATIONS

Pac. Fab Tech. Bulletin, Item featured in Brochure.  
Jacuzzi Brochure, Item featured in Brochure.

[\*\*] Term: **14 Years**

*Primary Examiner*—A. Hugo Word  
*Assistant Examiner*—R. Seifert  
*Attorney, Agent, or Firm*—Menotti J. Lombardi

[21] Appl. No.: **532,290**

[22] Filed: **Jun. 1, 1990**

[52] U.S. Cl. .... **D15/7**

### [57] CLAIM

[58] Field of Search ..... **D15/7, 8, 5, 9;**  
417/360, 423.1, 423.14, 223.15, 424, 224.1

The ornamental design for a whirlpool pump, as shown and described.

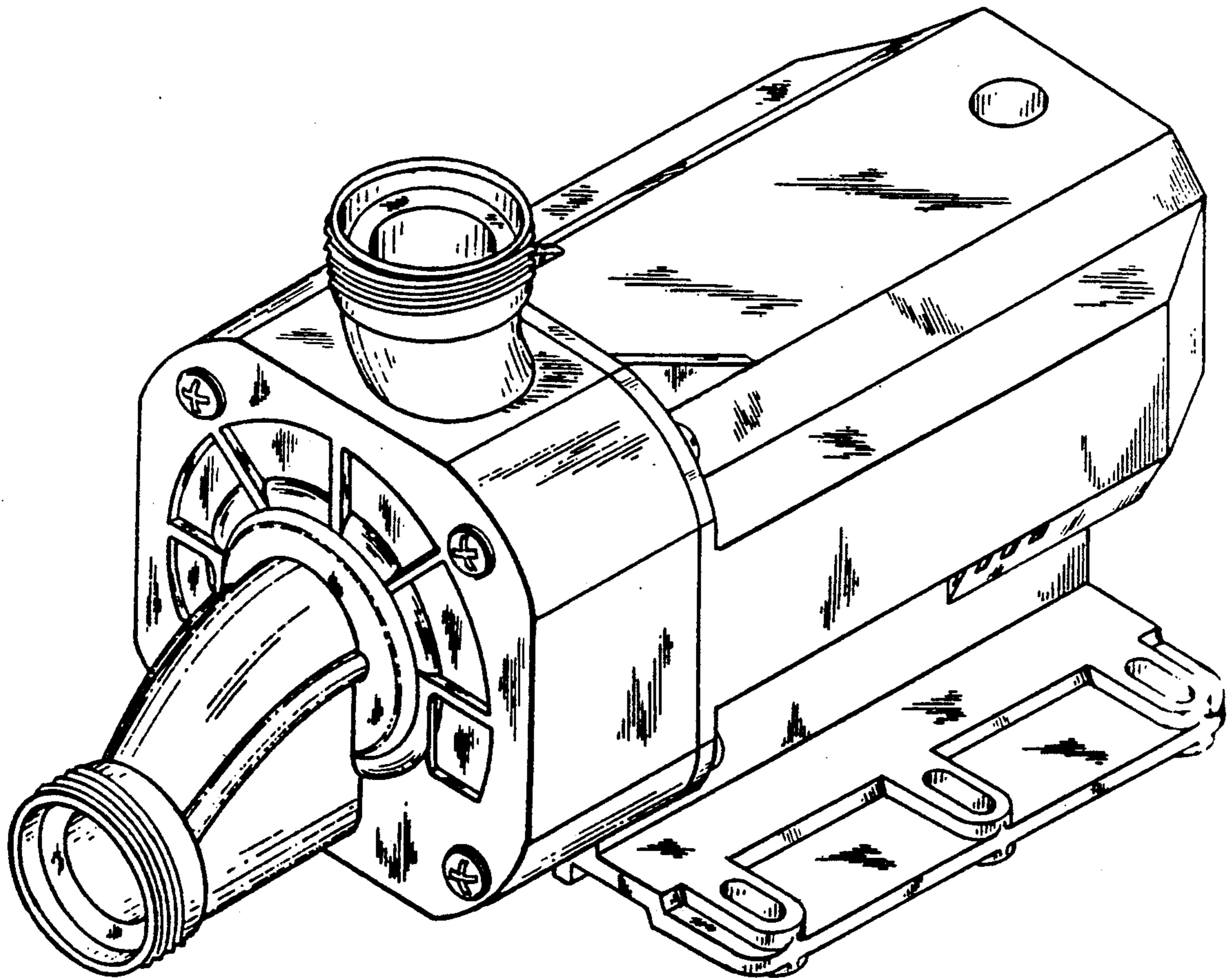
### [56] References Cited

### DESCRIPTION

#### U.S. PATENT DOCUMENTS

D. 242,651	12/1976	Arakawa	.....	D15/7
D. 258,210	2/1981	Shure	.....	D15/7
D. 301,038	5/1989	Kingston	.....	D15/7
D. 303,532	9/1989	Gresens	.....	D15/7
3,961,382	6/1976	Peterson, Jr.	.....	417/423.14
4,892,464	1/1990	Schydlo	.....	417/423.14

FIG. 1 is a top right side perspective view of a whirlpool pump showing my new design;  
FIG. 2 is a top plan view;  
FIG. 3 is a right side elevational view;  
FIG. 4 is a bottom plan view;  
FIG. 5 is a front elevational view; and,  
FIG. 6 is a rear elevational view.



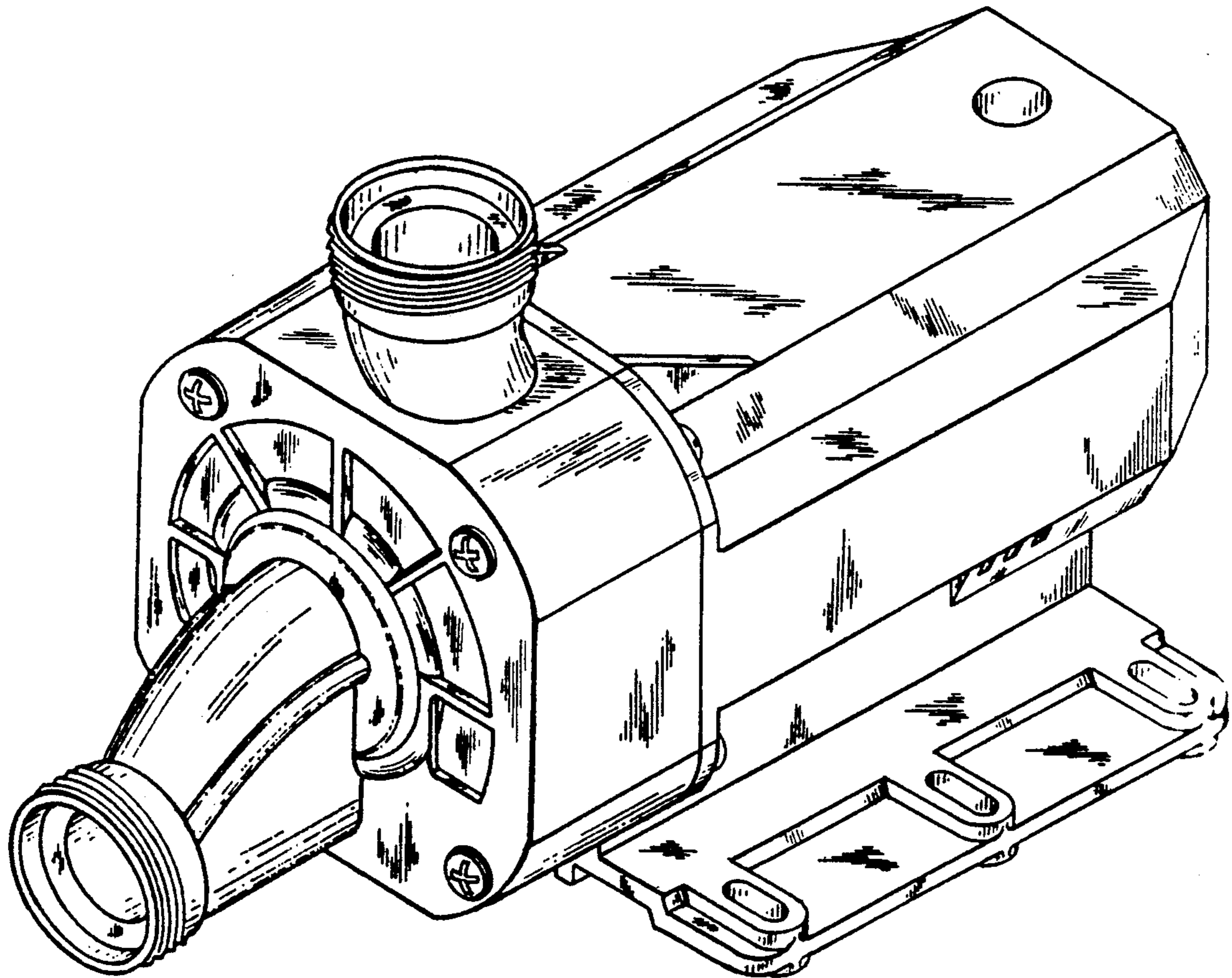


FIG. 1

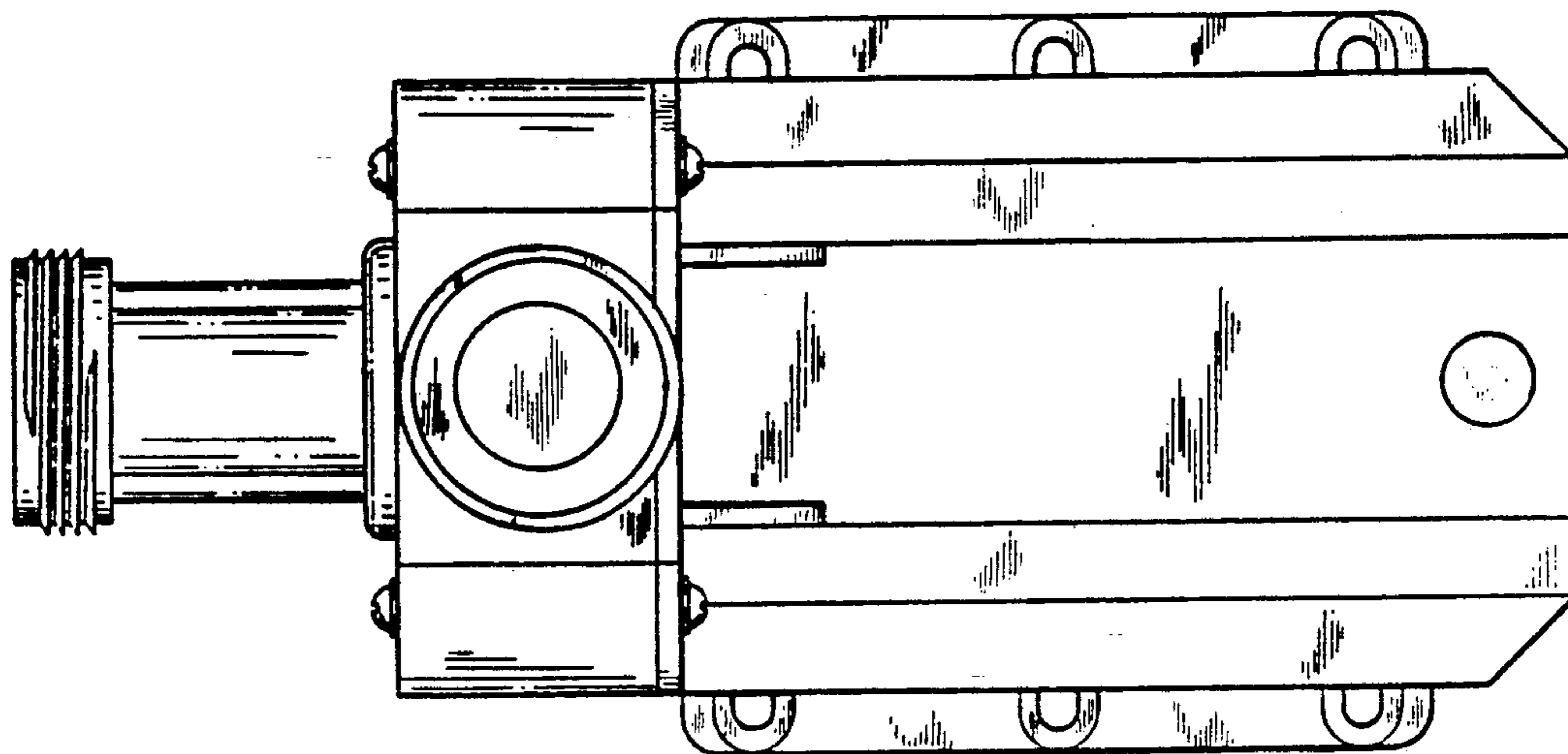


FIG. 2

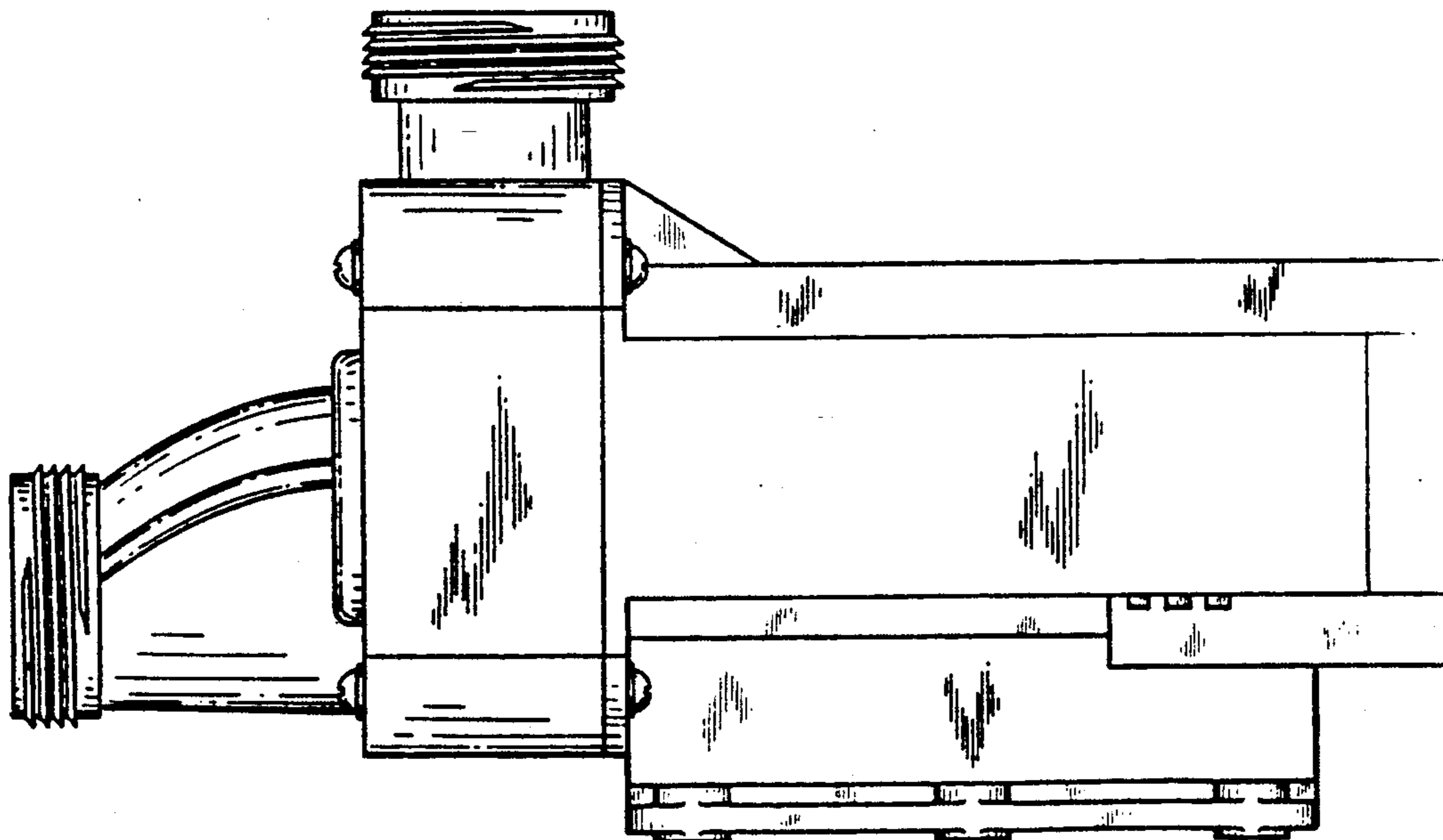


FIG. 3

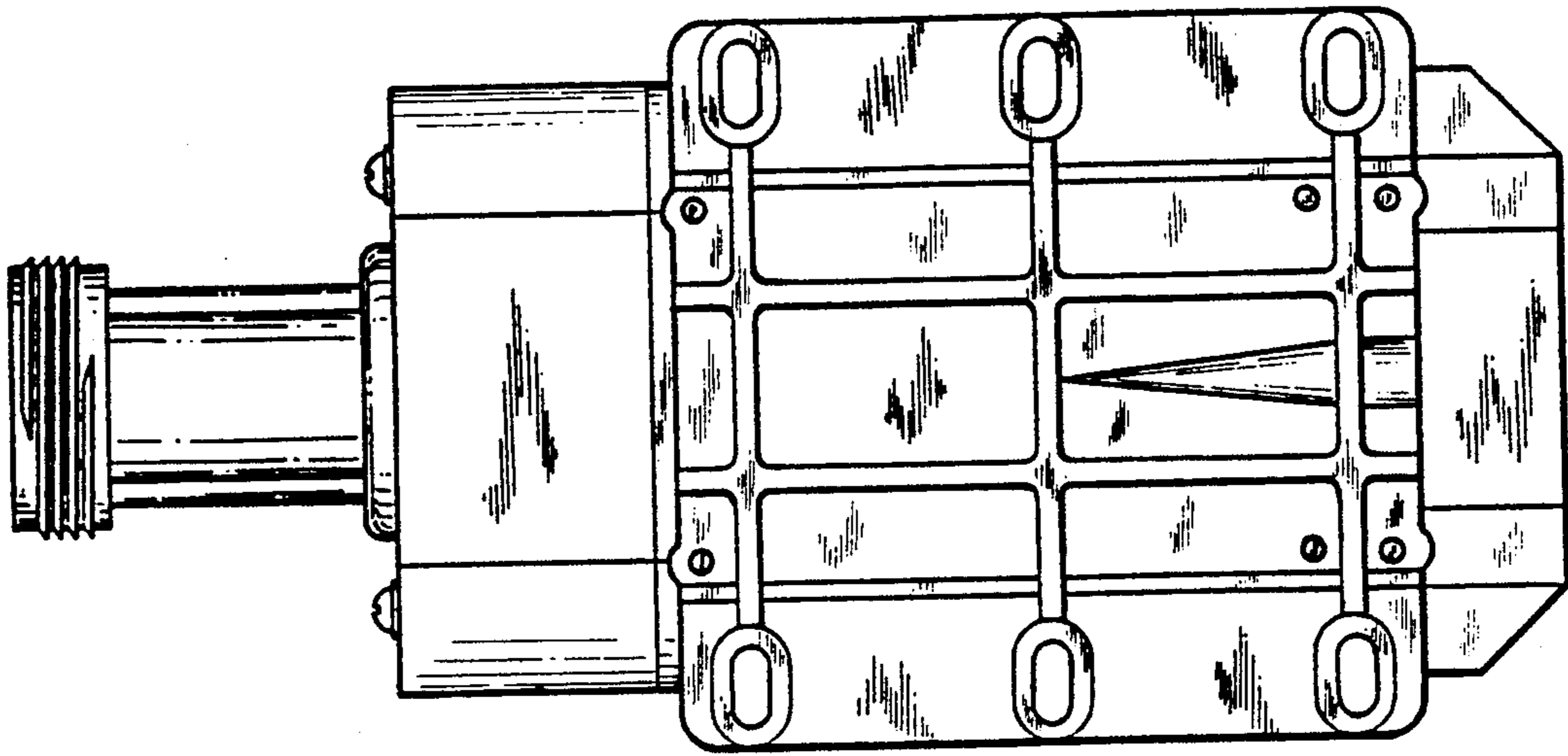


FIG. 4

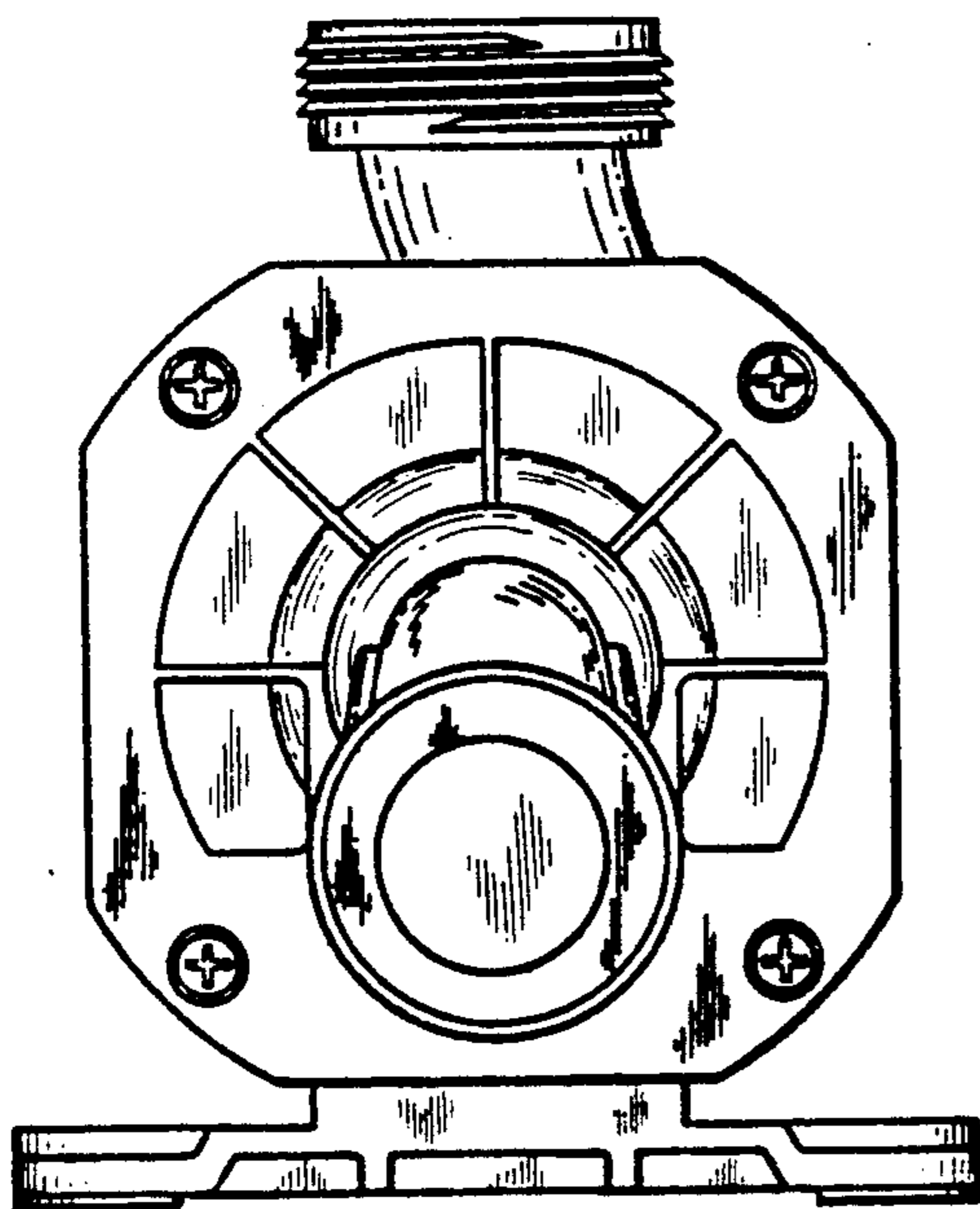


FIG. 5

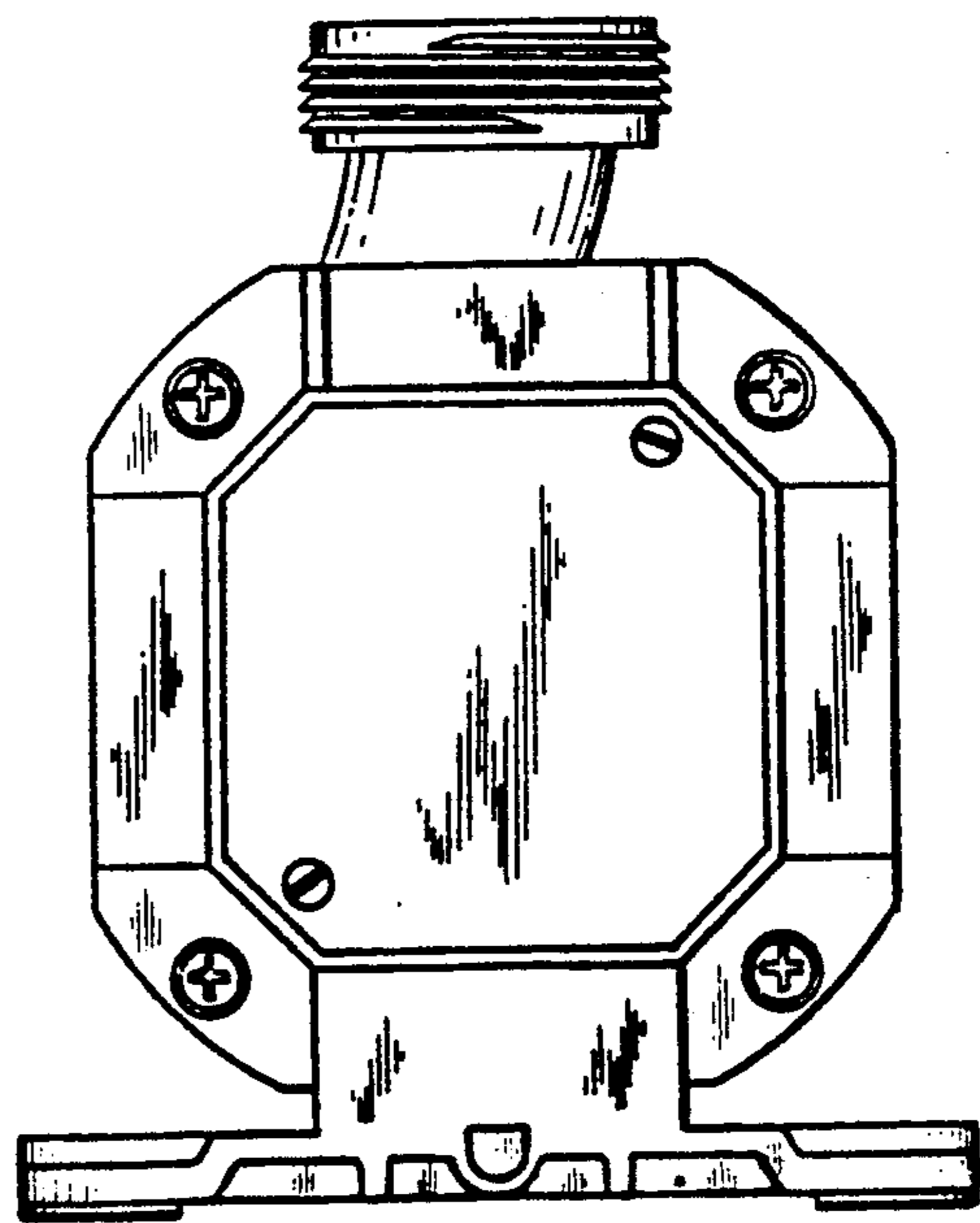


FIG. 6