



US00D327072S

United States Patent [19]
Christie

[11] **Patent Number: Des. 327,072**
[45] **Date of Patent: ** Jun. 16, 1992**

[54] **AUDIO AMPLIFIER HOUSING**

[75] **Inventor: Cary L. Christie, Bell Canyon, Calif.**

[73] **Assignee: Infinity Systems, Inc., Chatsworth, Calif.**

[**] **Term: 14 Years**

[21] **Appl. No.: 637,256**

[22] **Filed: Dec. 31, 1990**

[52] **U.S. Cl. D14/265; D14/188**

[58] **Field of Search D14/124, 137, 163, 168,
D14/171, 188-198, 265, 299; 455/344, 347,
350-351**

[56] **References Cited**

U.S. PATENT DOCUMENTS

D. 244,616	6/1977	Sizer	D14/197
D. 261,887	11/1981	Hisatsume	D14/188
D. 301,476	6/1989	Scianna, Sr. et al.	D14/188

OTHER PUBLICATIONS

High Fidelity, Mar. 1988, p. 50, Altec Lansing model ALA-270 and Apline model 3528 amps.

HFD, Jun. 15, 1987, p. 83, top right—Phase Linear model PLT150 amplifier.

Crutchfield Summer 1990 Catalog, p. 46, top—Crutchfield amplifiers.

Primary Examiner—Theodore M. Shooman

Attorney, Agent, or Firm—Jones, Day, Reavis & Pogue

[57] **CLAIM**

The ornamental design for an audio amplifier housing, as shown and described.

DESCRIPTION

FIG. 1 is a top, front and right side perspective view of an audio amplifier housing showing my new design;

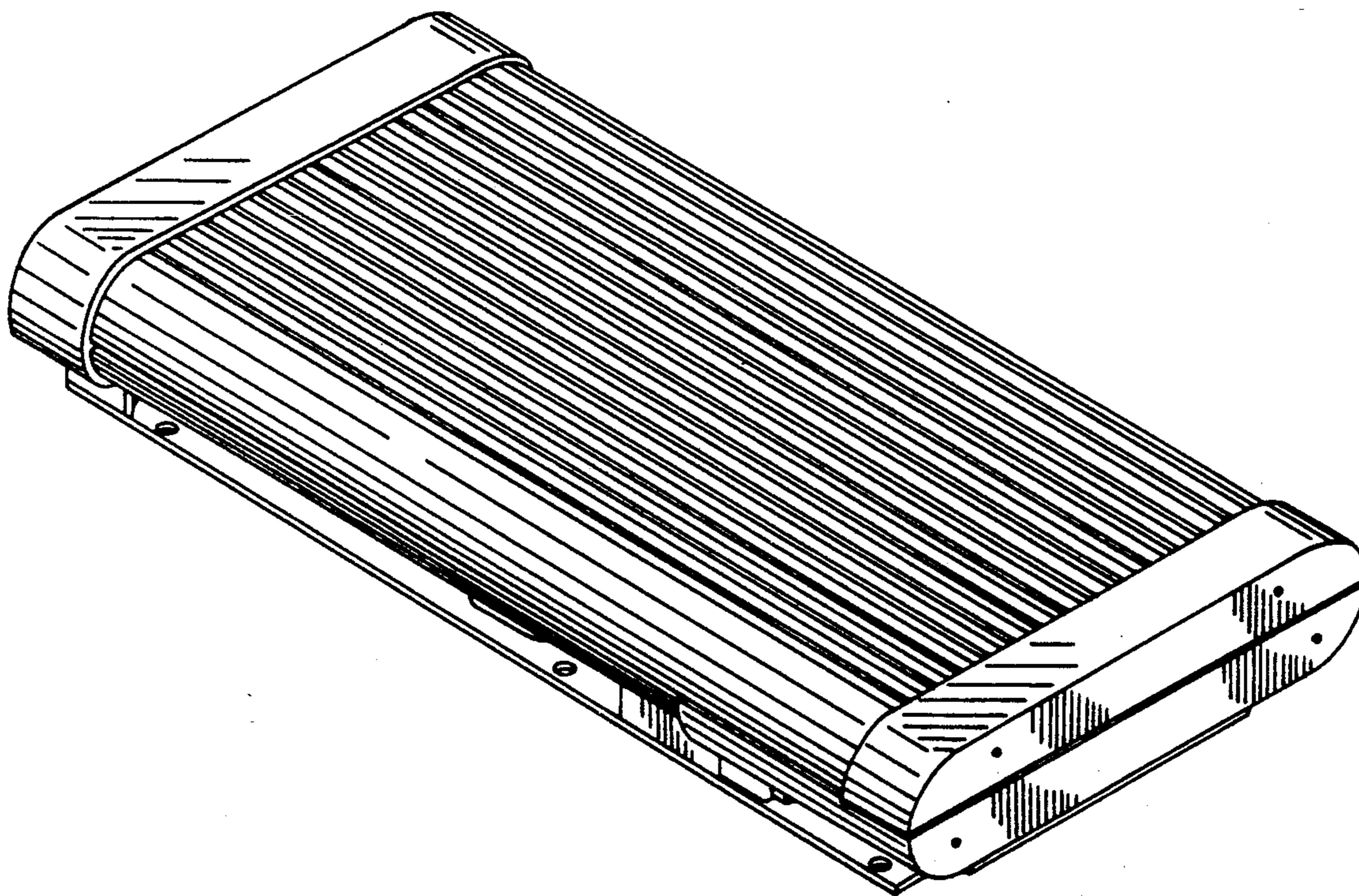
FIG. 2 is a top plan view thereof;

FIG. 3 is a front elevational view thereof, the rear being a mirror image;

FIG. 4 is a right side elevational view thereof;

FIG. 5 is a left side elevational view thereof; and,

FIG. 6 is a bottom plan view thereof.



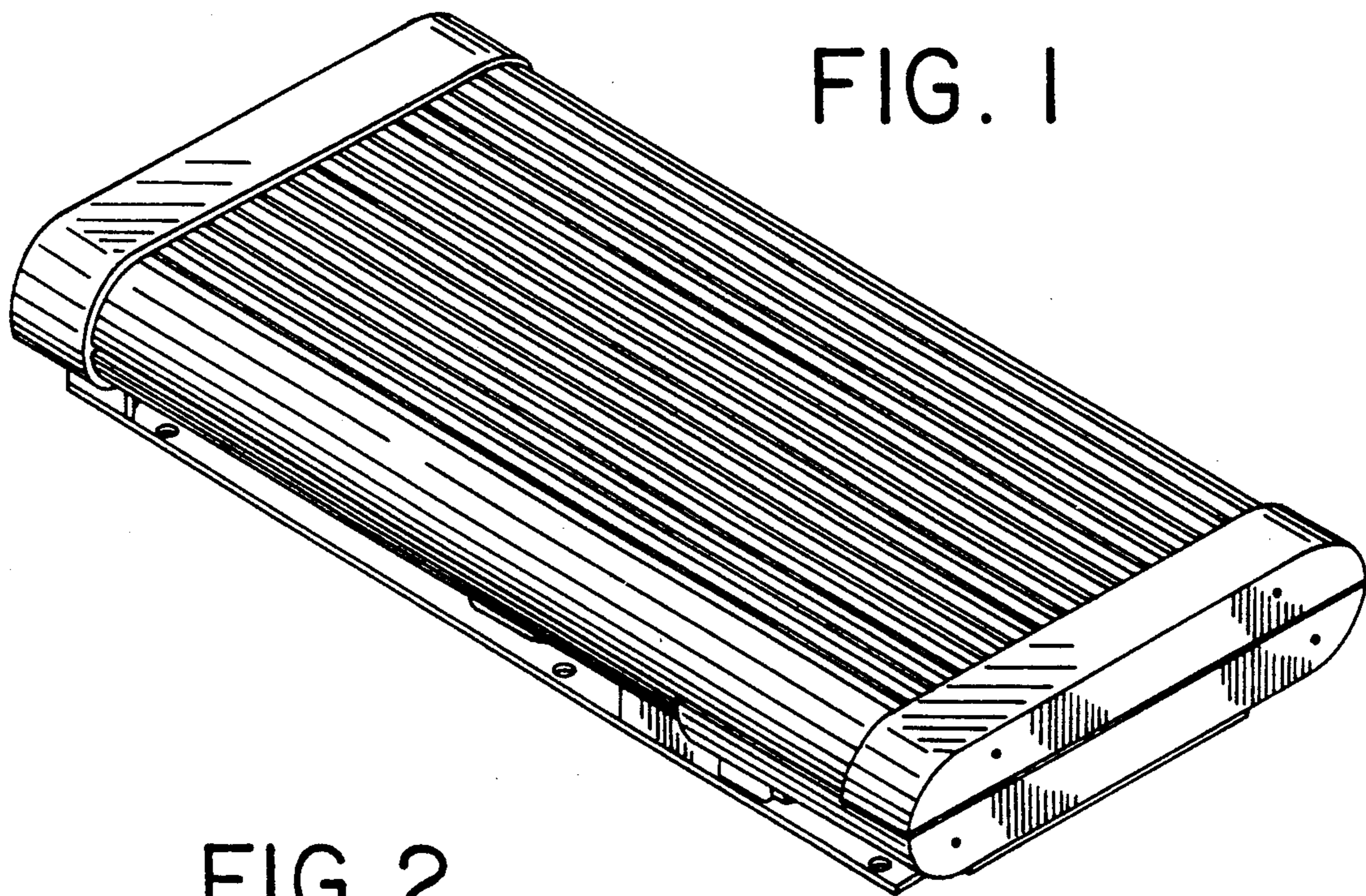


FIG. 2

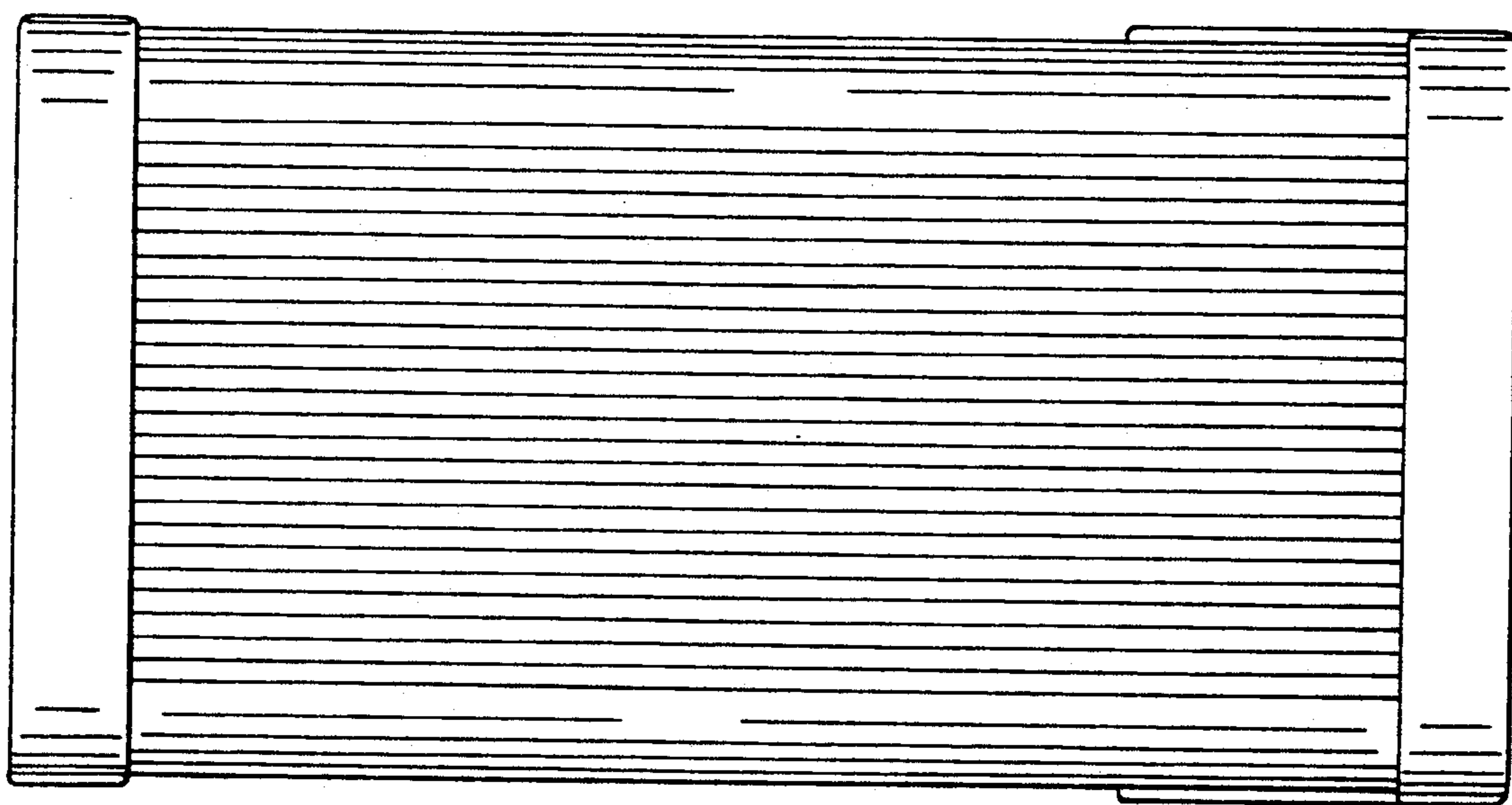


FIG. 3

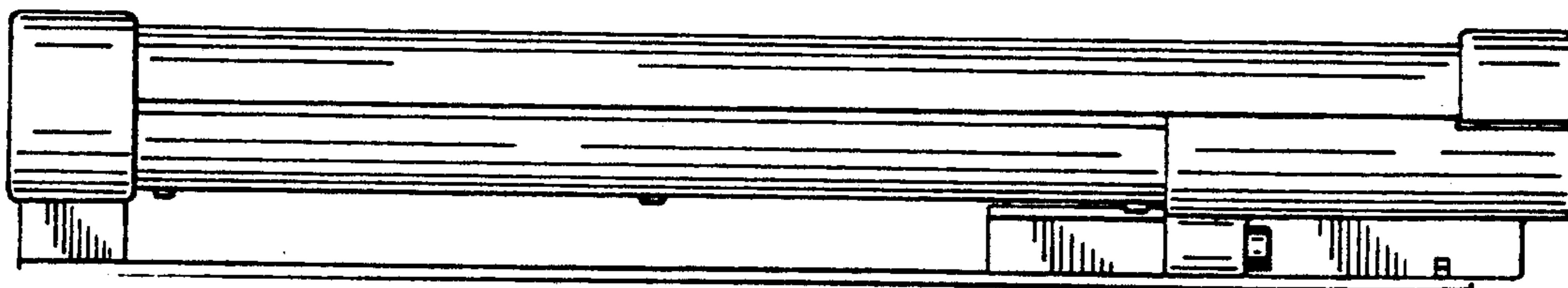


FIG. 4

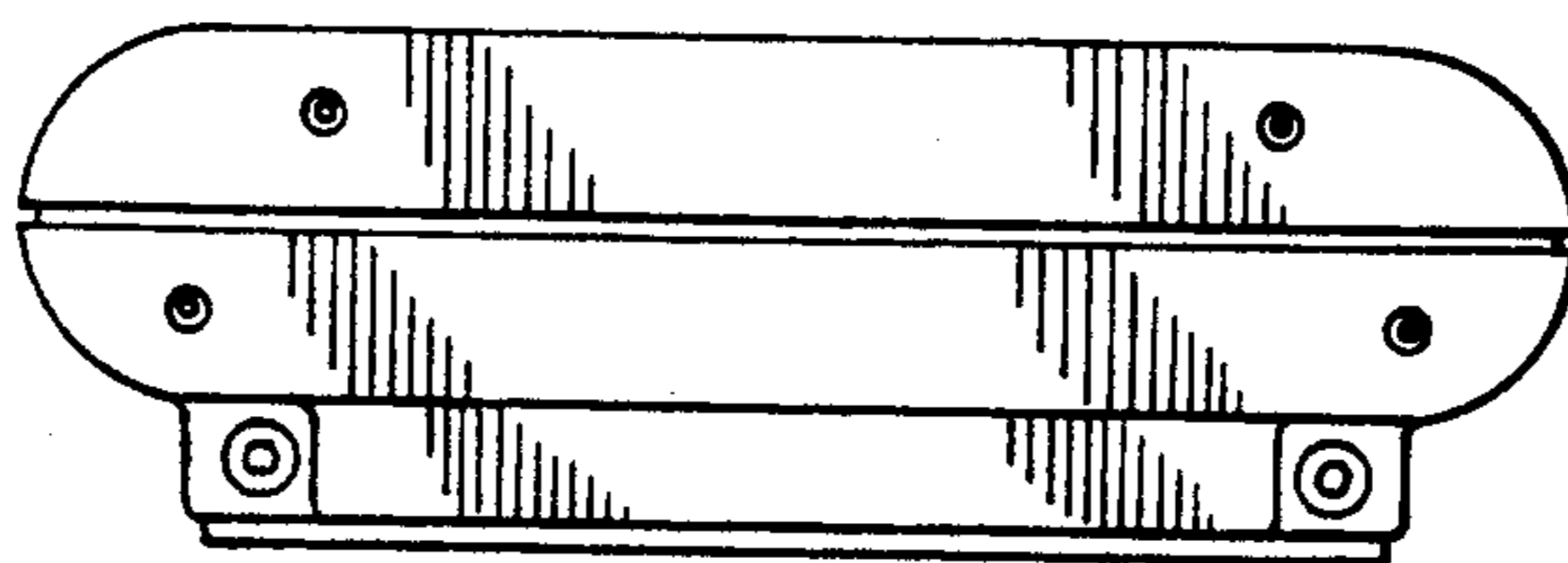


FIG. 5

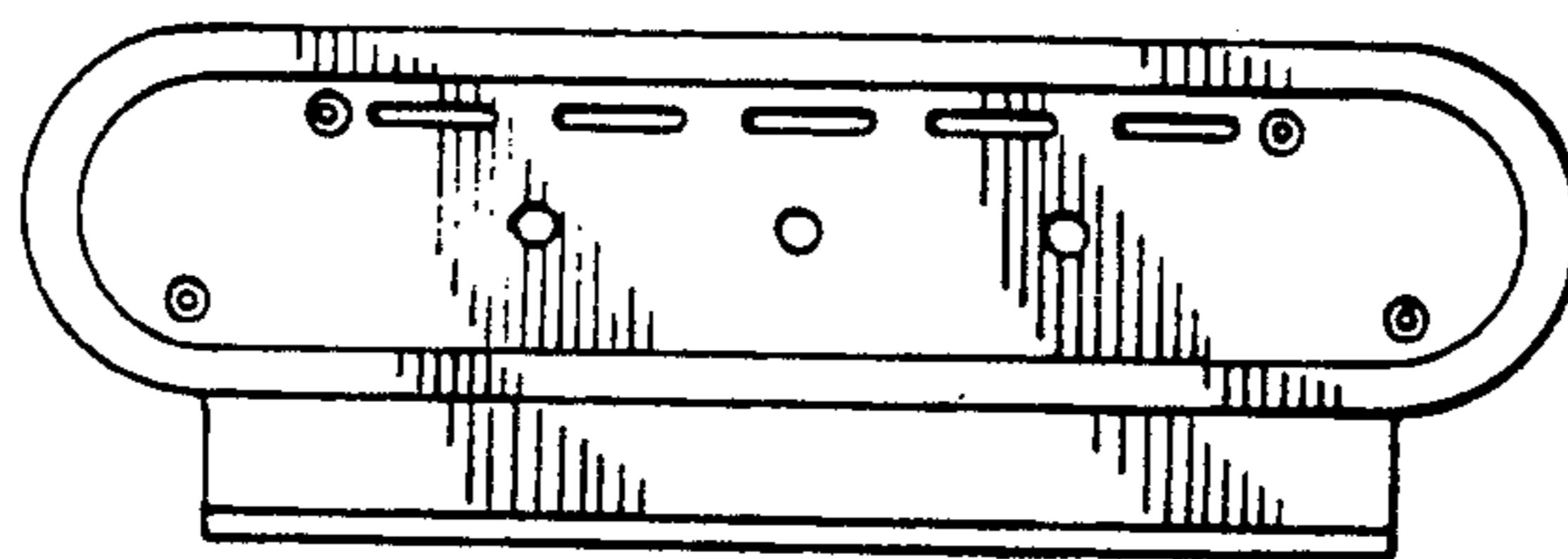


FIG. 6

