



US00D327070S

United States Patent [19]

[11] Patent Number: **Des. 327,070**

Watanabe

[45] Date of Patent: **** Jun. 16, 1992**

[54] HOLDER FOR PORTABLE RADIO TELEPHONE

[75] Inventor: **Katsuhito Watanabe, Tokyo, Japan**

[73] Assignee: **Oki Electric Industry Co., Ltd., Tokyo, Japan**

[**] Term: **14 Years**

[21] Appl. No.: **531,531**

[22] Filed: **May 31, 1990**

[30] Foreign Application Priority Data

Feb. 22, 1990 [JP] Japan 2-5370

[52] U.S. Cl. **D14/251; D14/138**

[58] Field of Search **D14/137, 138; D13/108, D13/107; 379/61**

[56] References Cited

U.S. PATENT DOCUMENTS

D. 237,893	12/1975	Wennerström	D14/137
D. 243,024	1/1977	Publik	D14/137
D. 271,391	11/1983	Scheid	D13/107
D. 277,662	2/1985	Huntington et al.	D13/107
D. 281,004	10/1985	Scheid	D13/107
D. 289,996	5/1987	Oord et al.	D13/108
D. 297,827	9/1988	Lay	D13/108
D. 298,119	10/1988	Richards et al.	D13/108
D. 301,456	6/1989	Siddoway	D13/107
D. 307,016	4/1990	Watanabe	D13/108
D. 309,451	7/1990	Nagele	D14/137
D. 315,161	3/1991	Watanabe	D14/138 X
D. 319,061	8/1991	Powell et al.	D13/107 X
3,183,891	5/1965	MacDonald	D13/108 X
4,409,536	10/1983	Eijen	D13/107 X

FOREIGN PATENT DOCUMENTS

2230922 10/1990 United Kingdom 379/61

OTHER PUBLICATIONS

Catalogue "Teleport C" published by AEG Olympia GmbH (Germany).

Catalogue "The DiamondTel Cellular Phones" published by Mitsubishi Electric Co. (Japan).

Catalogue "NEC Portable Telephone" published by NEC Scandinavia (Sweden).

Catalogue "NOKIA P-30 Series" published by Nokia Mobira (Finland).

Primary Examiner—7

Assistant Examiner—Horace B. Fay, Jr.

Attorney, Agent, or Firm—Wenderoth, Lind & Ponack

[57] CLAIM

The ornamental design for a holder for portable radio telephone, as shown and described.

DESCRIPTION

FIG. 1 is a front elevational view of a holder for a portable radio telephone showing my new design;

FIG. 2 is a top plan view;

FIG. 3 is a rear elevational view thereof;

FIG. 4 is a bottom plan view thereof;

FIG. 5 is a left side elevational view thereof;

FIG. 6 is a sectional view taken on line VI—VI in FIG. 2, with interior construction omitted;

FIG. 7 is a left side, top and front perspective view thereof, with a broken line portable Radio-Telephone set in the holder;

FIG. 8 is a left side, top and front perspective view thereof with the hinged front member open to receive therewithin a portable radio-telephone; and,

FIG. 9 is a schematic perspective view of the holder with an environmental broken line showing of a portable radio-telephone positioned within the holder, set within the broken line frontal area of a vehicle.

The broken line showing of a handset telephone in FIG. 7, and the handset telephone and vehicle interior in FIG. 9, is for illustrative purposes only, and forms no part of the claimed design.

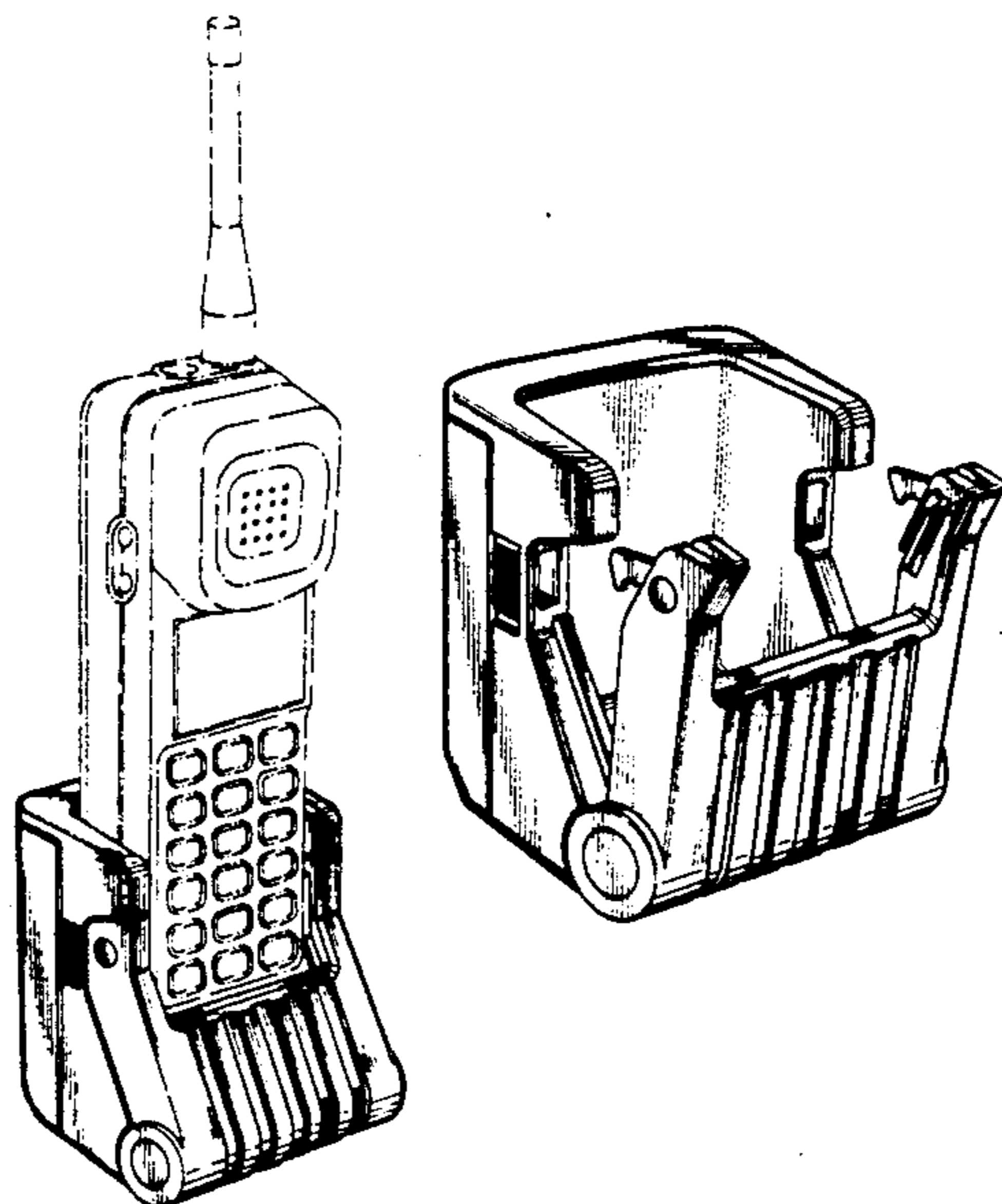


Fig. 1

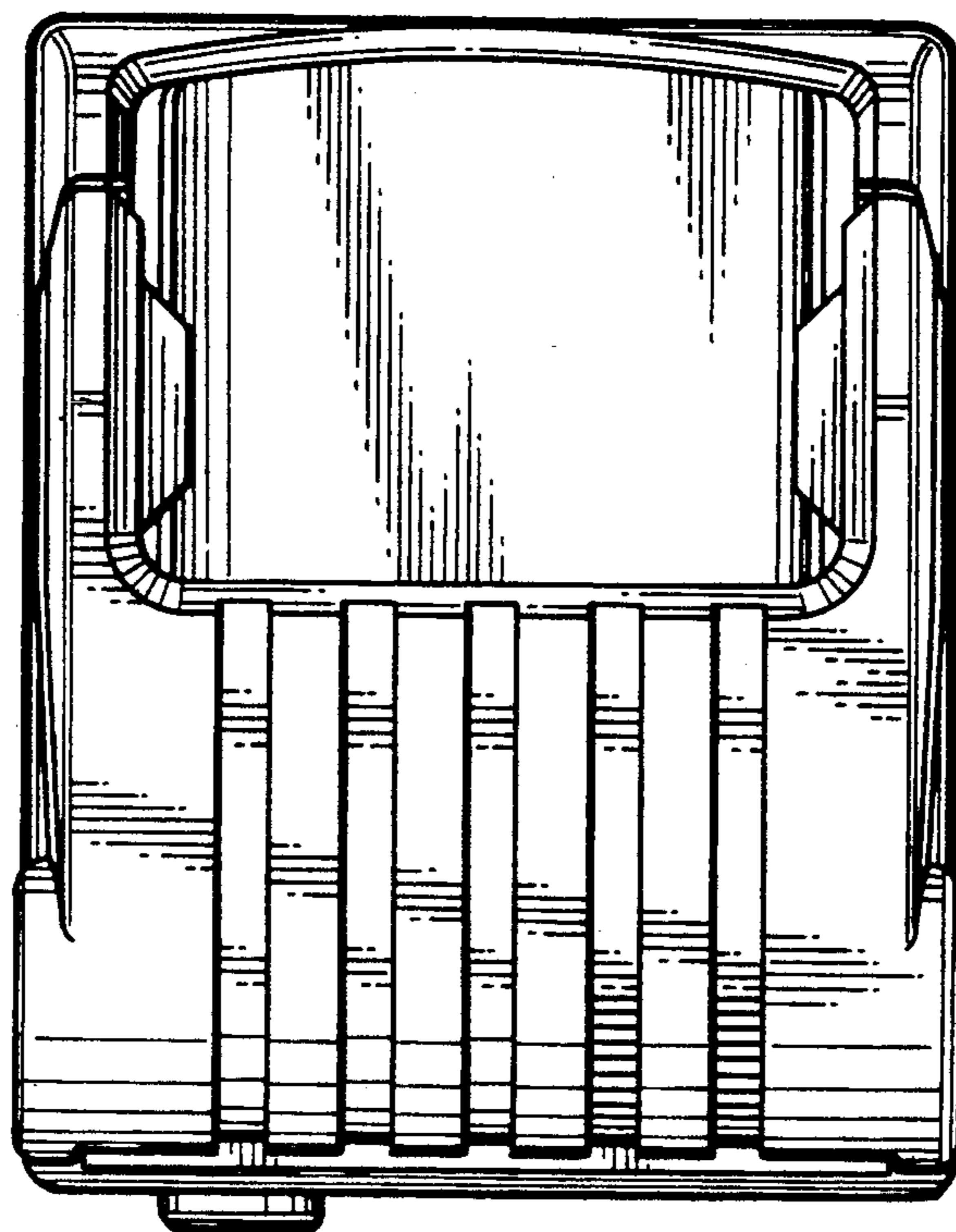


Fig. 2

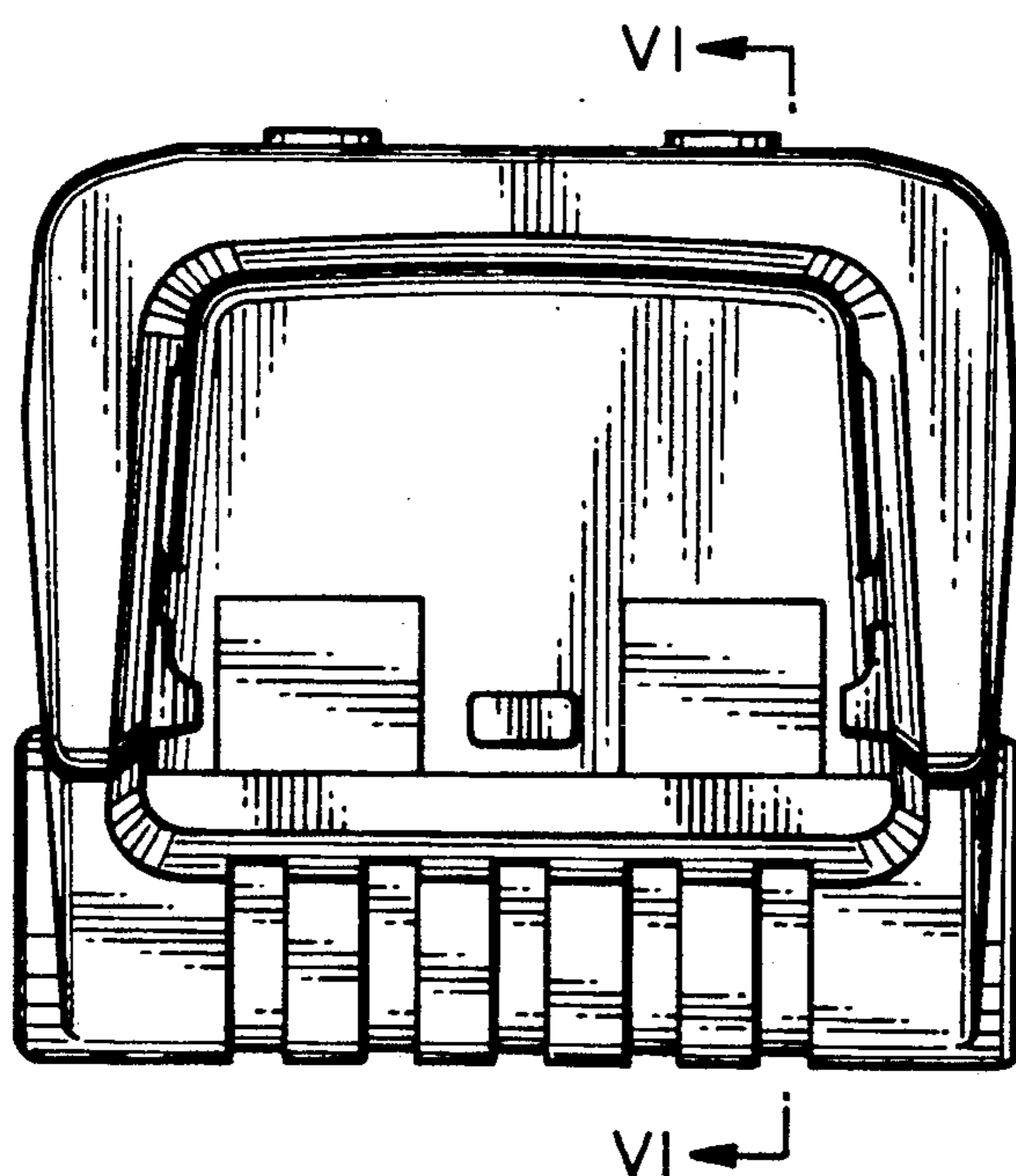


Fig. 3

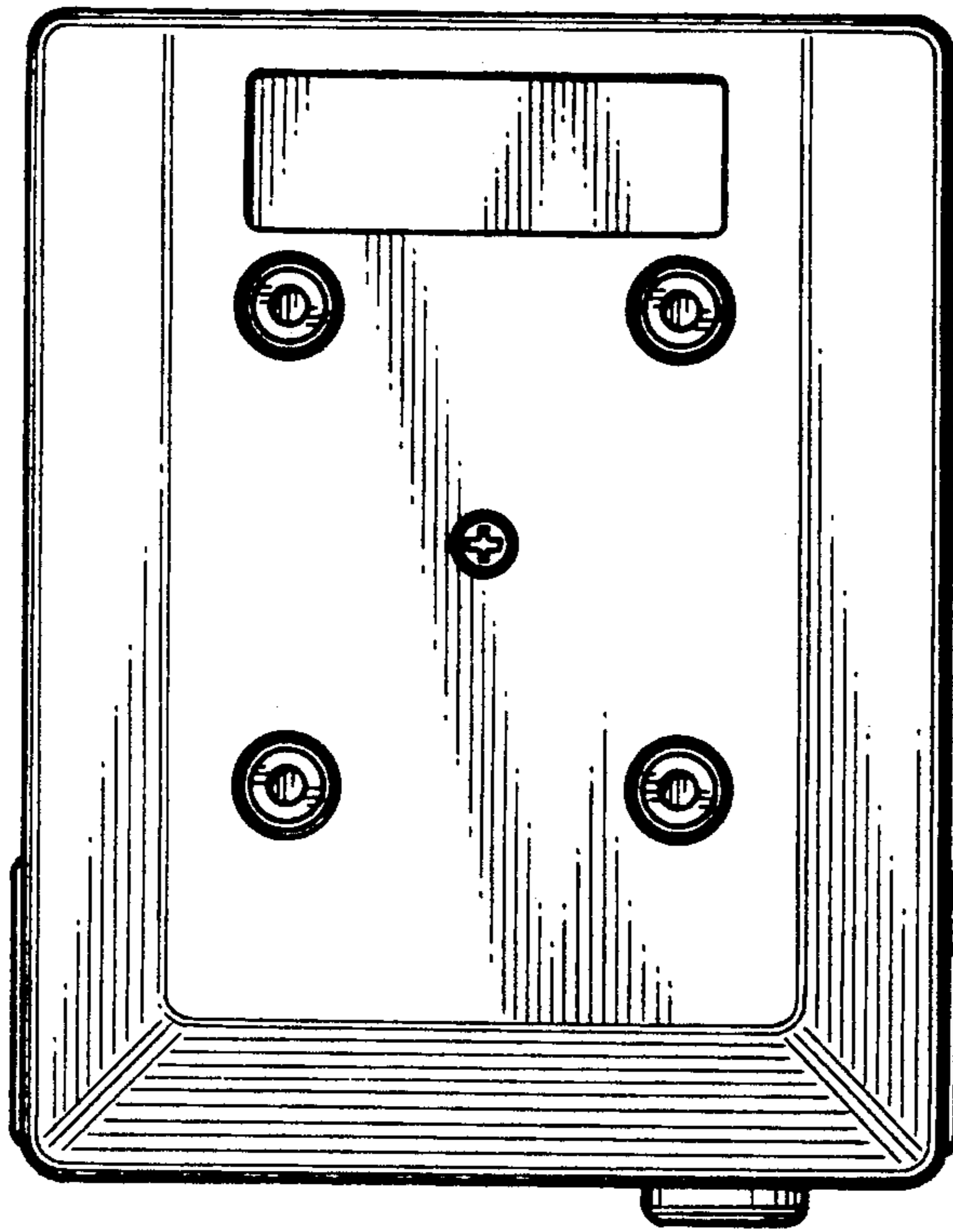


Fig. 4

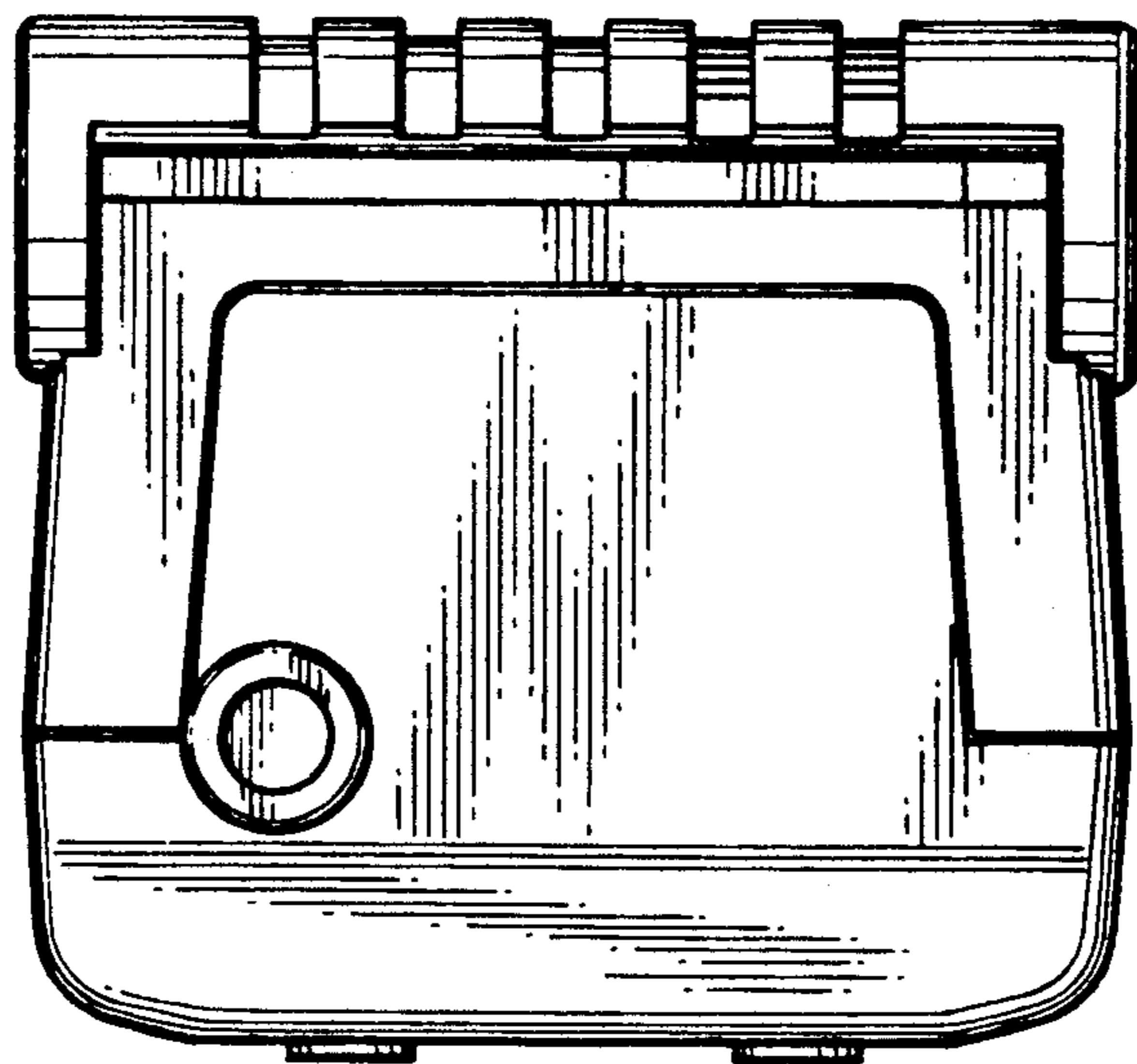


Fig. 5

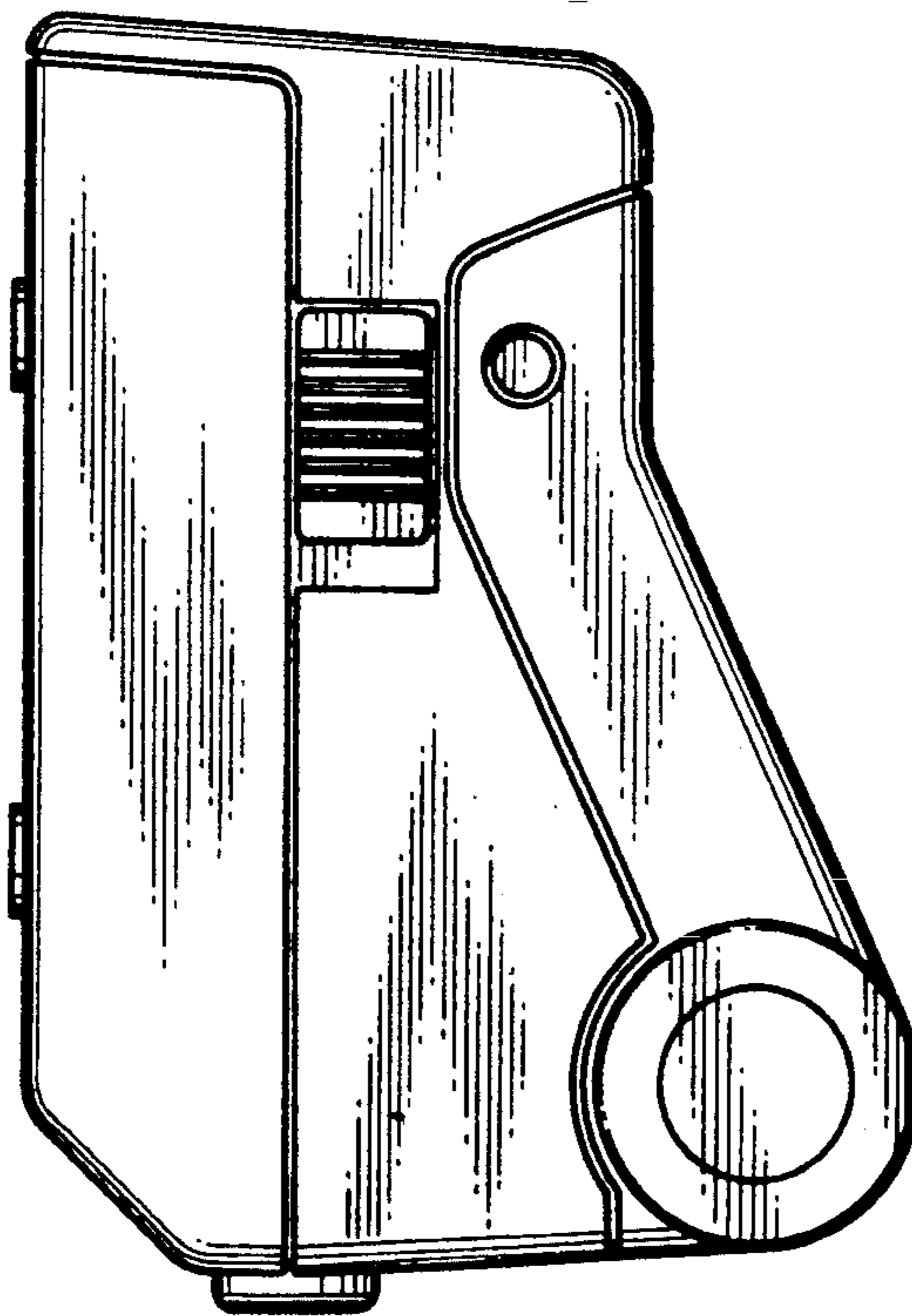


Fig. 6

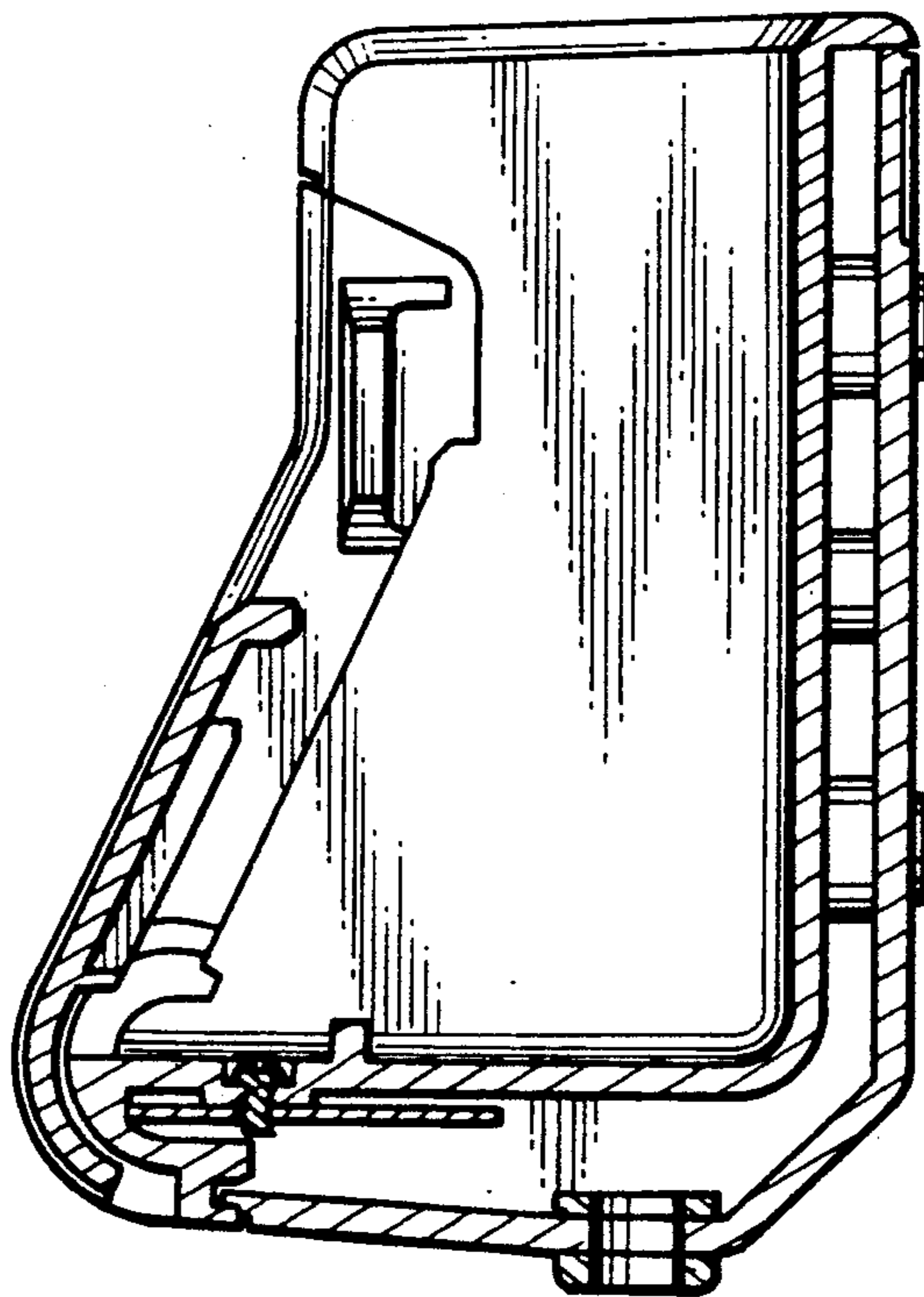


Fig. 7

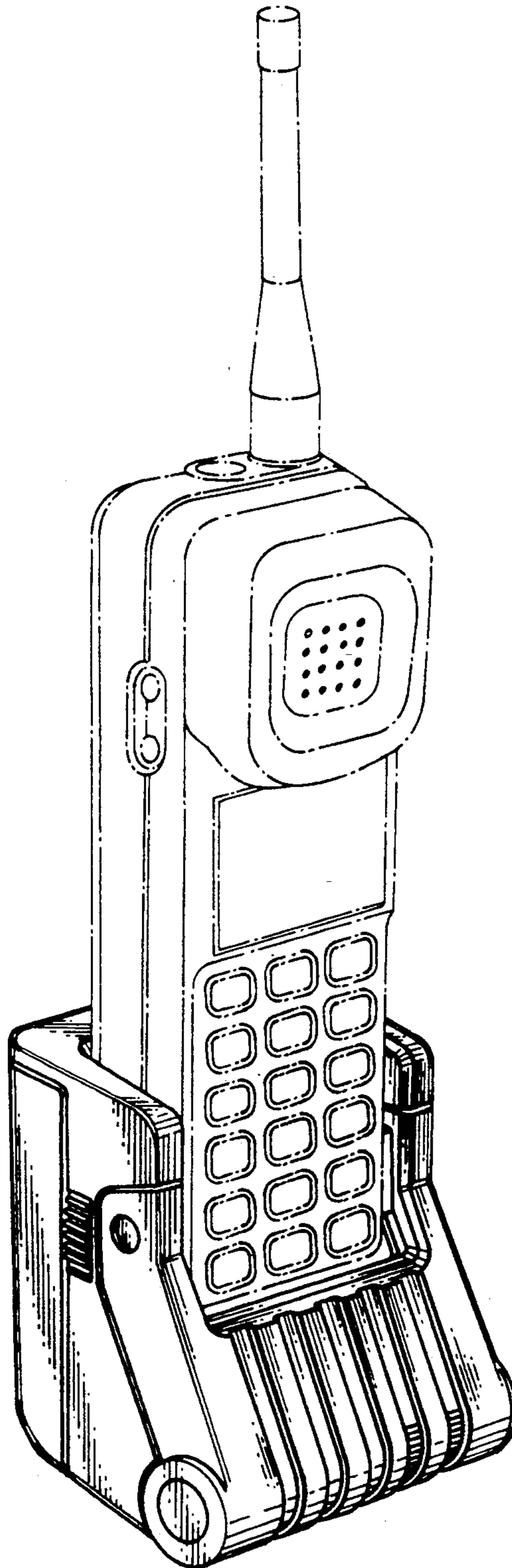


Fig. 8

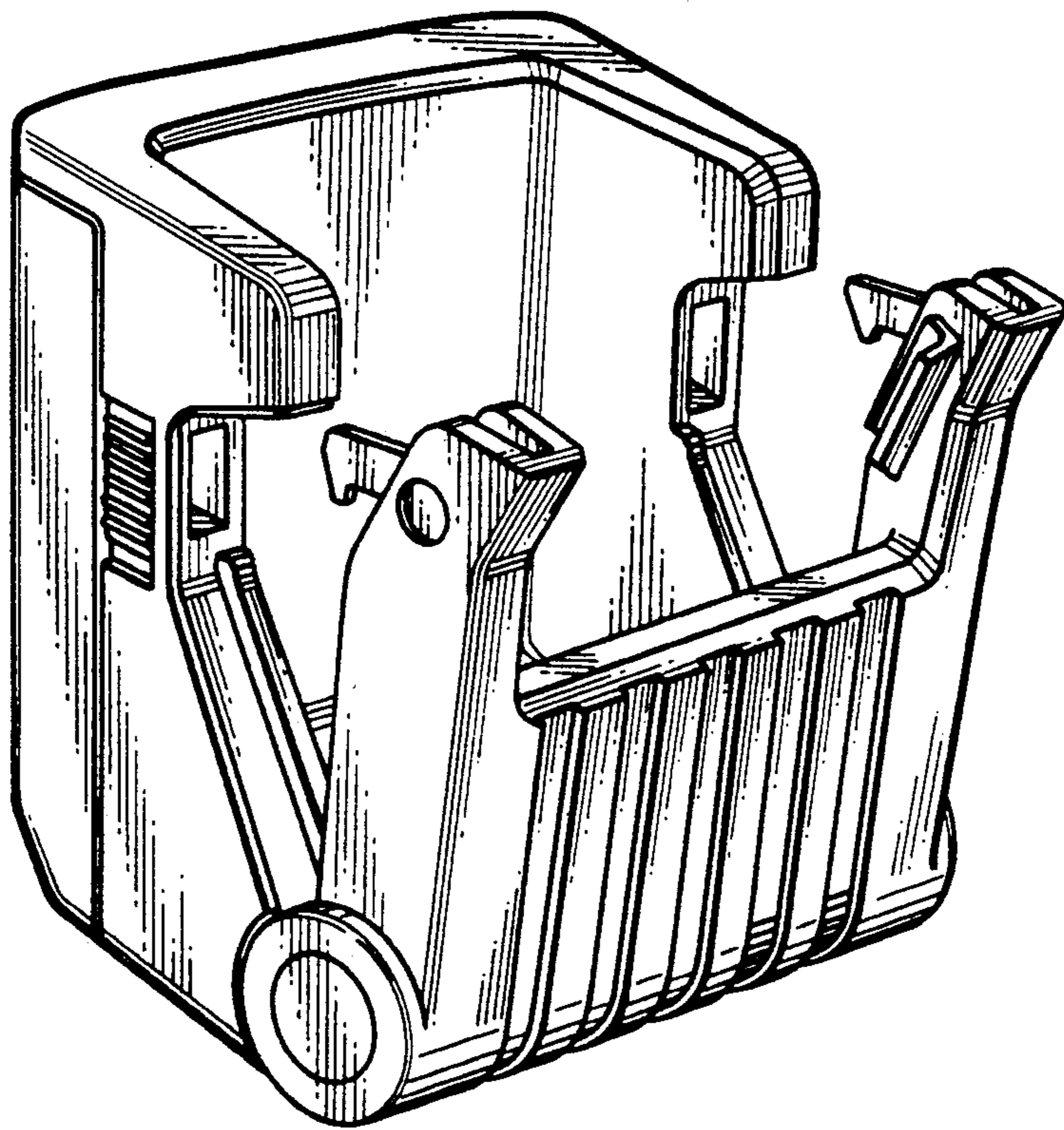


Fig. 9

