



US00D327061S

# United States Patent [19]

[11] Patent Number: Des. 327,061

Soren et al.

[45] Date of Patent: \*\* Jun. 16, 1992

[54] RADIO TELEPHONE CONTROLLER OR SIMILAR ARTICLE

[75] Inventors: Leonid Soren, Lincolnwood; Joseph F. Pulio, Jr., South Barrington, both of Ill.

[73] Assignee: Motorola, Inc., Schaumburg, Ill.

[\*\*] Term: 14 Years

[21] Appl. No.: 736,904

[22] Filed: Jul. 29, 1991

[52] U.S. Cl. .... D14/138; D14/137; D14/140

[58] Field of Search ..... D14/138, 137, 240, 147, D14/140; 455/89

[56] References Cited

U.S. PATENT DOCUMENTS

- D. 281,974 12/1985 Suzuki ..... D14/138
- D. 294,495 3/1988 Nissley ..... D14/138
- D. 301,882 6/1989 Watanabe ..... D14/140
- D. 302,271 7/1989 Watanabe ..... D14/140

- D. 306,026 2/1990 Baykiw ..... D14/240
- D. 311,541 10/1990 Carre ..... D14/240
- D. 315,890 4/1991 Lewo ..... D14/138 X
- D. 316,242 4/1991 Lewo ..... D14/138 X
- D. 317,762 6/1991 Watanabe ..... D14/138
- 4,455,454 6/1984 Umebayashi ..... 179/2 E
- 4,698,838 10/1987 Ishikawa et al. .... 455/89
- 4,706,273 11/1987 Spear ..... 379/58
- 4,850,015 7/1989 Martin ..... 455/89 X
- 4,870,676 9/1989 Lewo ..... 379/58
- 4,875,229 10/1989 Palett et al. .... D14/147 X
- 5,018,188 5/1991 Kowalski ..... 379/63

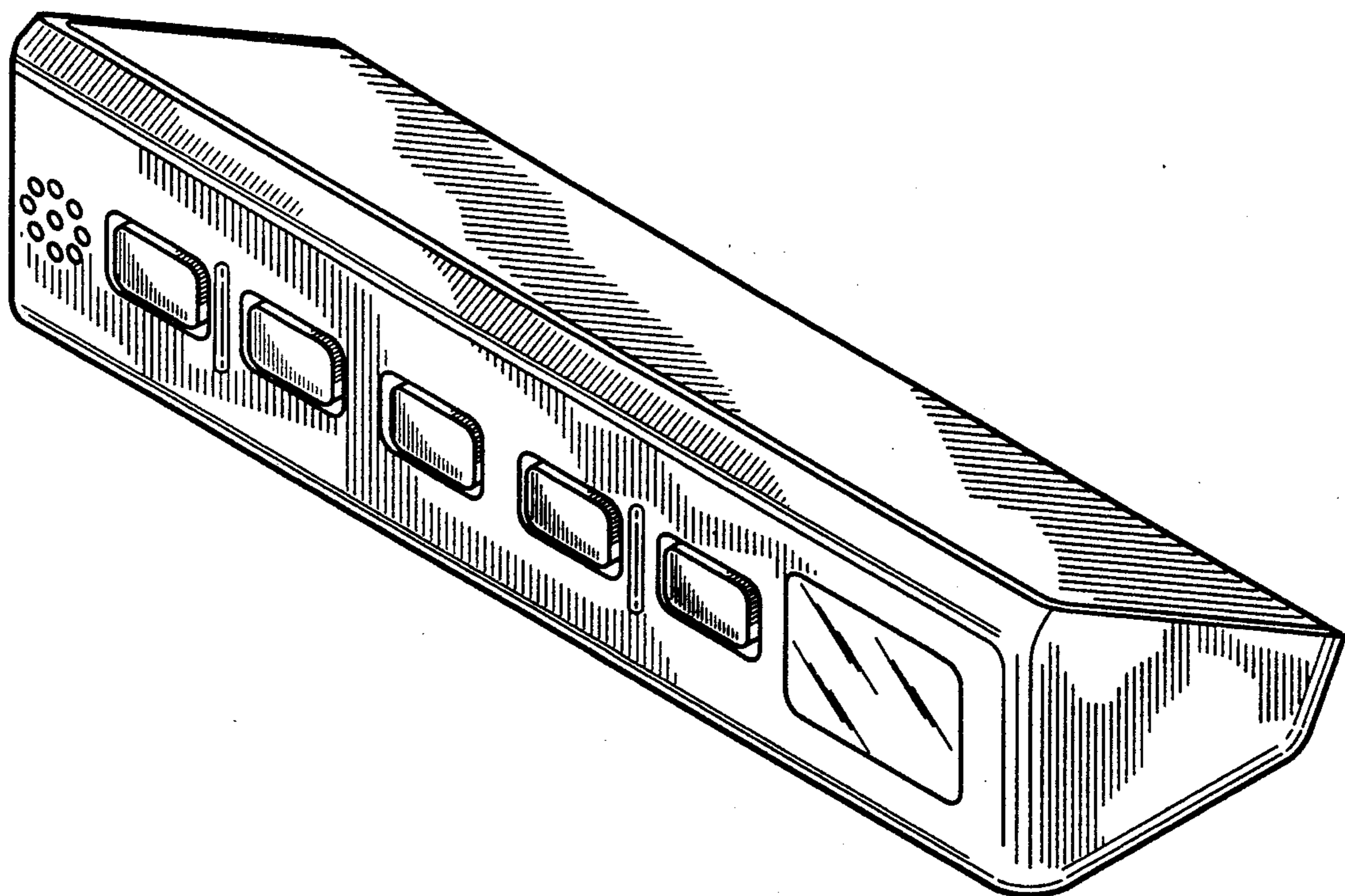
Primary Examiner—Horace B. Fay, Jr.  
Attorney, Agent, or Firm—Rolland R. Hackbart

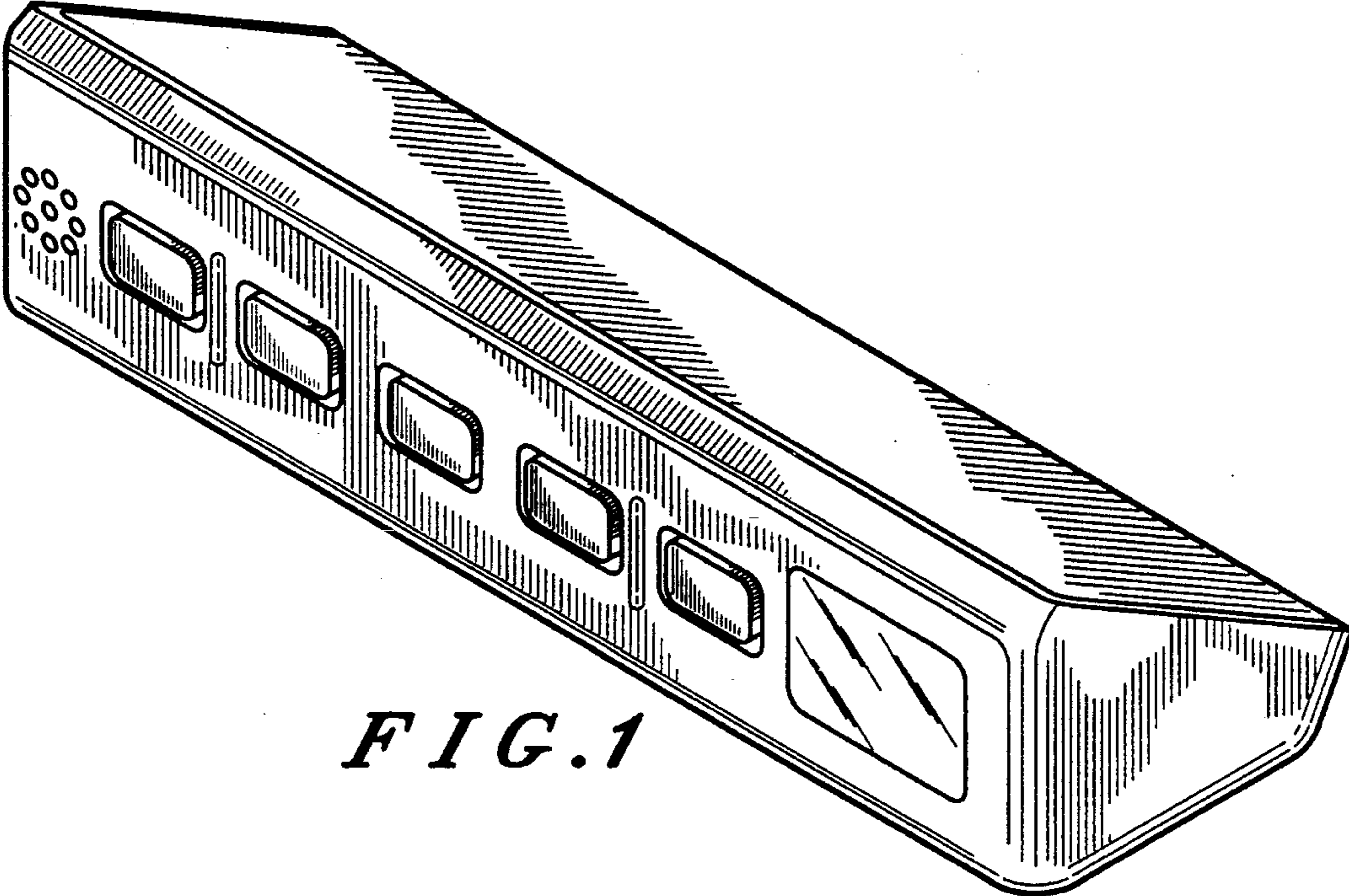
[57] CLAIM

The ornamental design for a radio telephone controller or similar article, as shown and described.

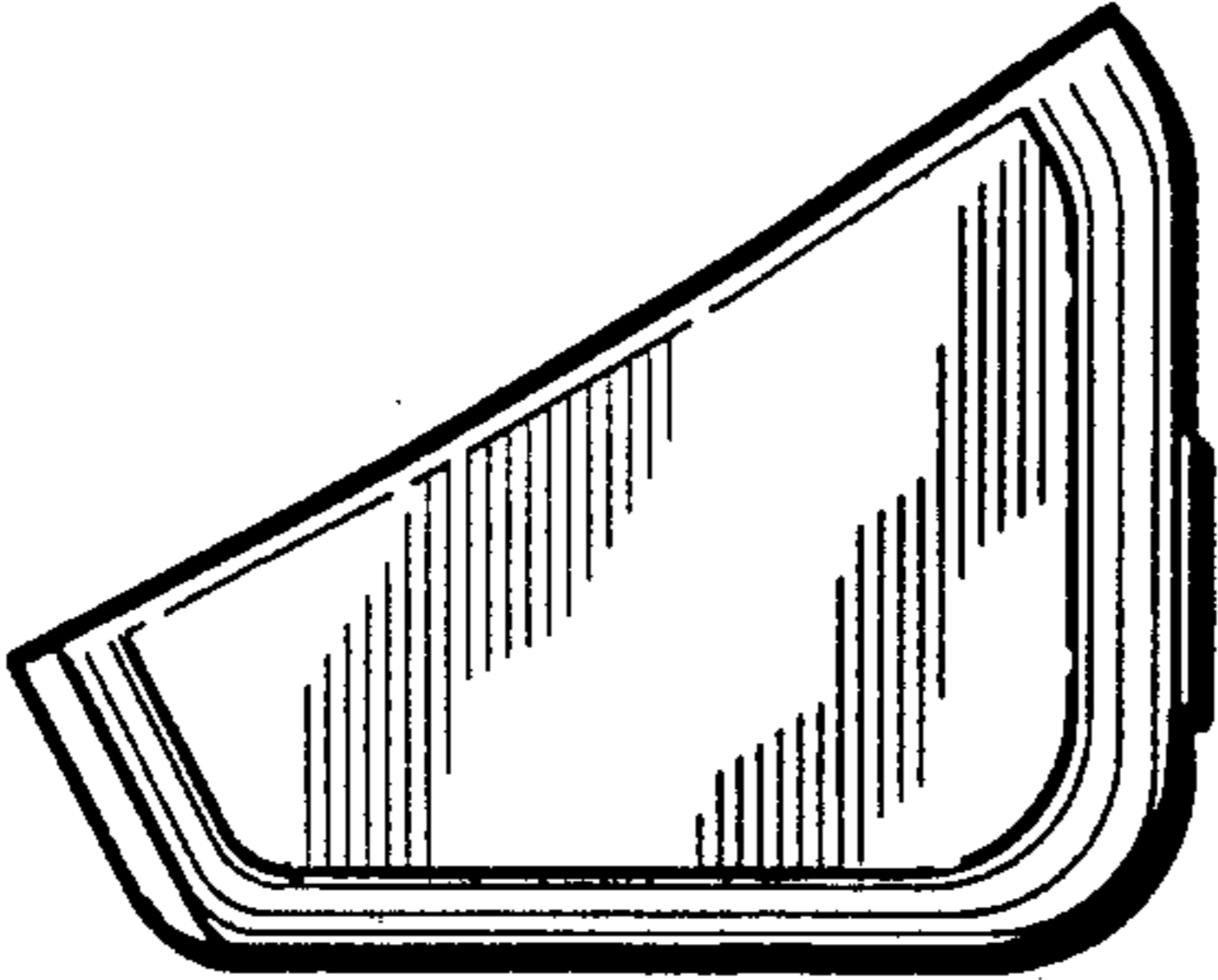
DESCRIPTION

FIG. 1 is a top, front and right side perspective view of a radio telephone controller or similar article; FIG. 2 is a left side elevation view thereof; and, FIG. 3 is a bottom and back elevational view thereof.

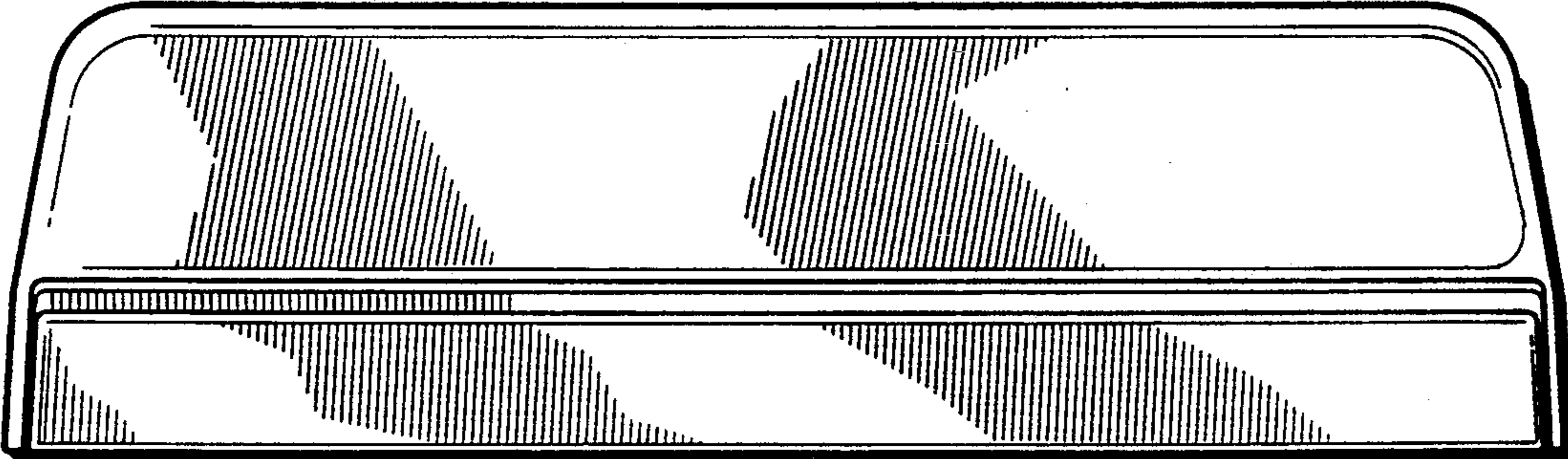




*FIG. 1*



*FIG. 2*



*FIG. 3*