



US00D327059S

United States Patent [19]

[11] Patent Number: **Des. 327,059**

Chu et al.

[45] Date of Patent: **** Jun. 16, 1992**

[54] **CELLULAR TELEPHONE**

[75] Inventors: **Robin Chu, San Francisco; James P. Wohl, Beverly Hills, both of Calif.**

[73] Assignee: **Universal Cellular, Inc., Anaheim, Calif.**

[**] Term: **14 Years**

[21] Appl. No.: **613,369**

[22] Filed: **Nov. 15, 1990**

[52] U.S. Cl. **D14/138; D14/147; D14/148; D14/248**

[58] Field of Search **D14/138, 151, 147, 248; D18/11; 379/433, 440, 428**

[56] **References Cited**

U.S. PATENT DOCUMENTS

D. 236,488	8/1975	Fossella	D18/11
D. 254,195	2/1980	Genaro et al.	D14/151 X
D. 254,554	3/1980	Genaro et al.	D14/151 X
D. 282,738	2/1986	Nichols	D14/128
D. 297,735	9/1988	Soren et al.	D14/147
D. 298,243	10/1988	Watanabe	D14/138
D. 300,742	4/1989	Soren et al.	D14/138 X
D. 304,189	10/1989	Nagele et al.	D14/147
D. 305,427	1/1990	Soren et al.	D14/138
D. 309,628	7/1990	Sawada et al.	D18/11

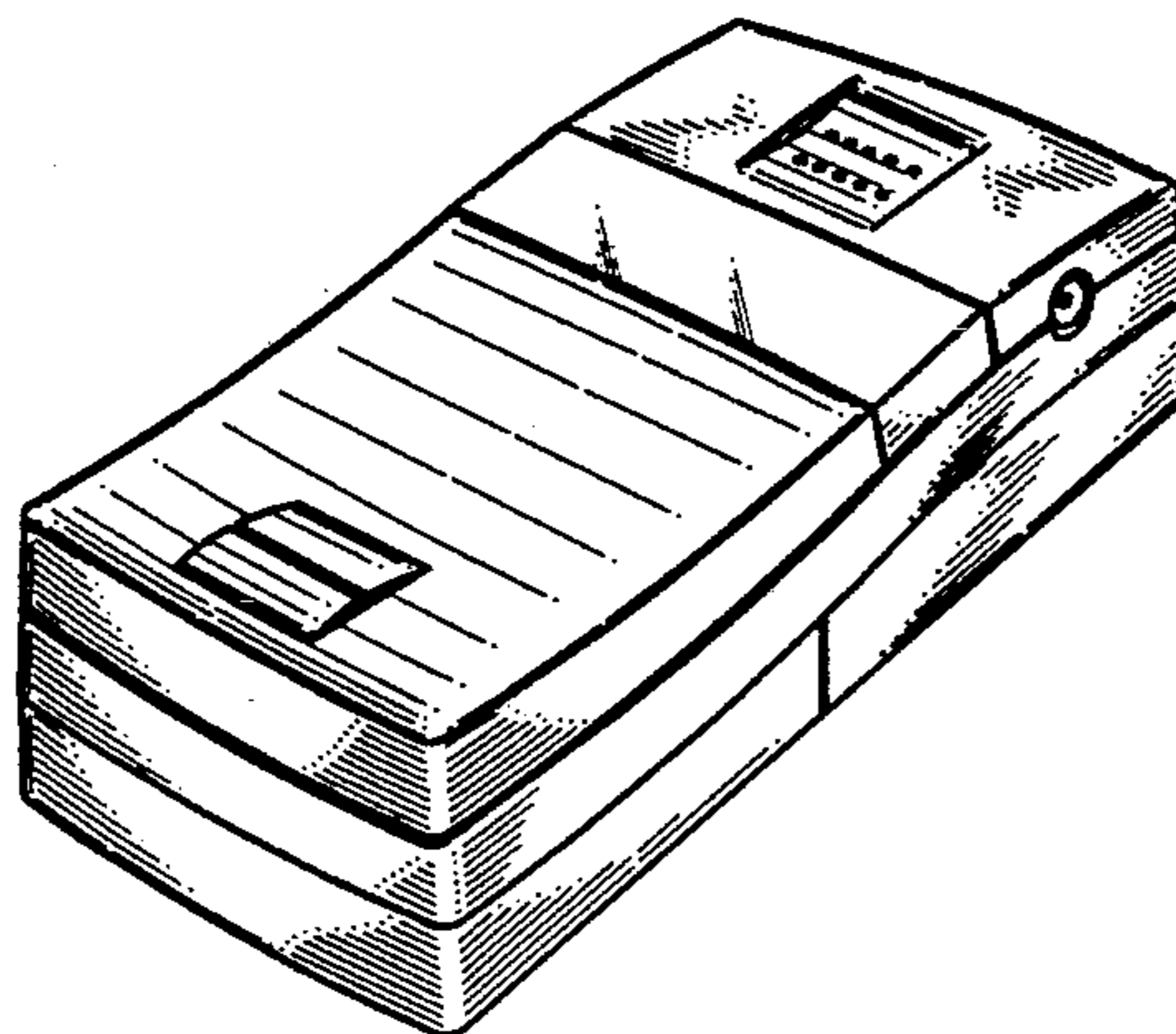
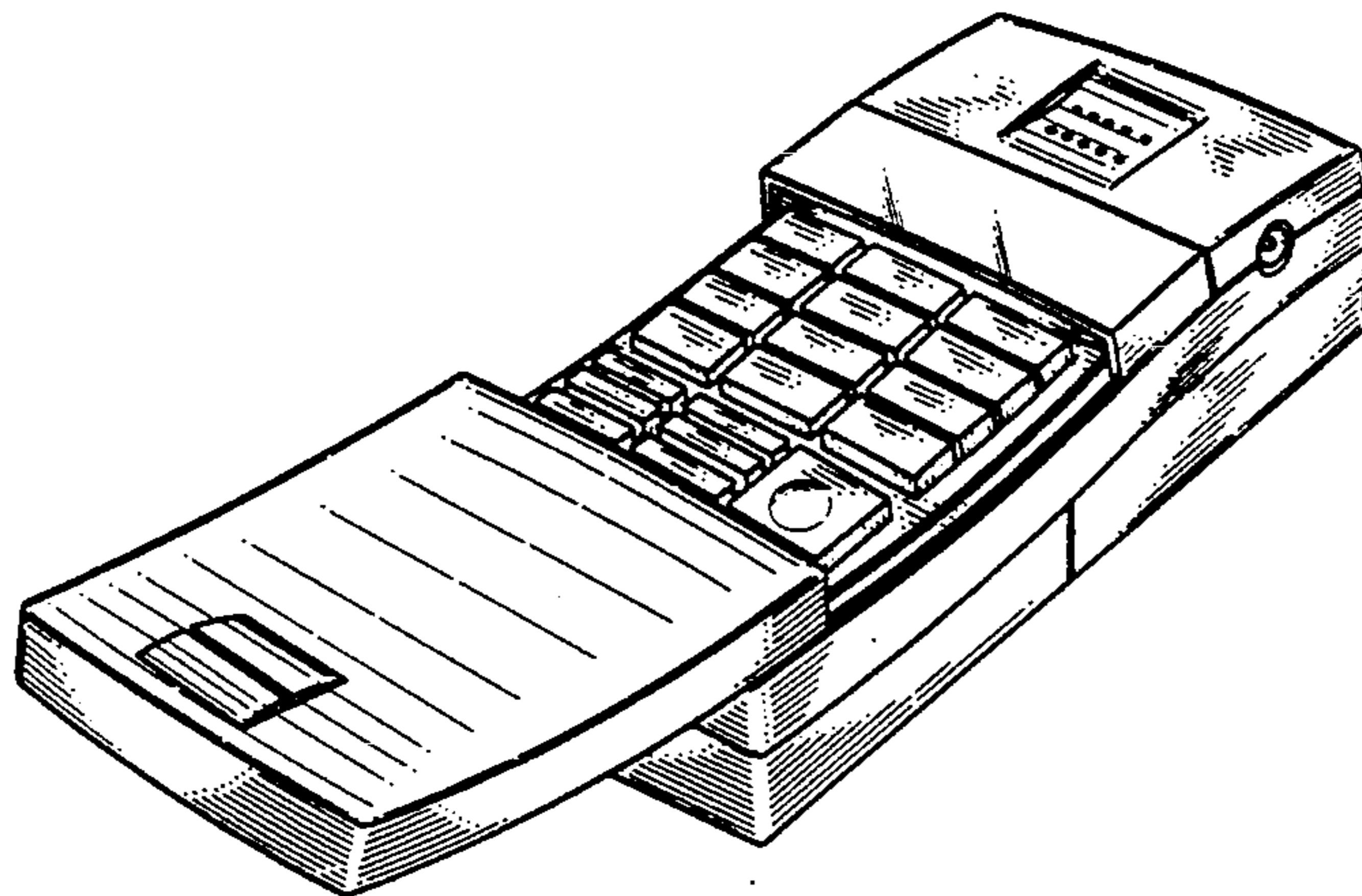
Primary Examiner—Horace B. Fay, Jr.
Attorney, Agent, or Firm—Flehr, Hohbach, Test, Albritton & Herbert

[57] **CLAIM**

The ornamental design for a cellular telephone, as shown and described.

DESCRIPTION

FIG. 1 is a front, top and right side perspective view of a cellular telephone showing our new design with its slide panel in extended position;
 FIG. 2 is a front, top and right side perspective view thereof with the slide in a contracted position;
 FIG. 3 is a top plan view thereof with its slide in extended position;
 FIG. 4 is a right side elevational view thereof with its slide in extended position, taken on the lines 5—5;
 FIG. 5 is a rear end elevational view thereof, taken on the line 5—5 of FIG. 4;
 FIG. 6 is a left side elevational view thereof;
 FIG. 7 is a front end elevational view thereof, taken along the line 7—7 of FIG. 6;
 FIG. 8 is a top plan view thereof with its slide in contracted position;
 FIG. 9 is a left side elevational view thereof with its slide in contracted position; and,
 FIG. 10 is a bottom plan view thereof with its slide in contracted position.



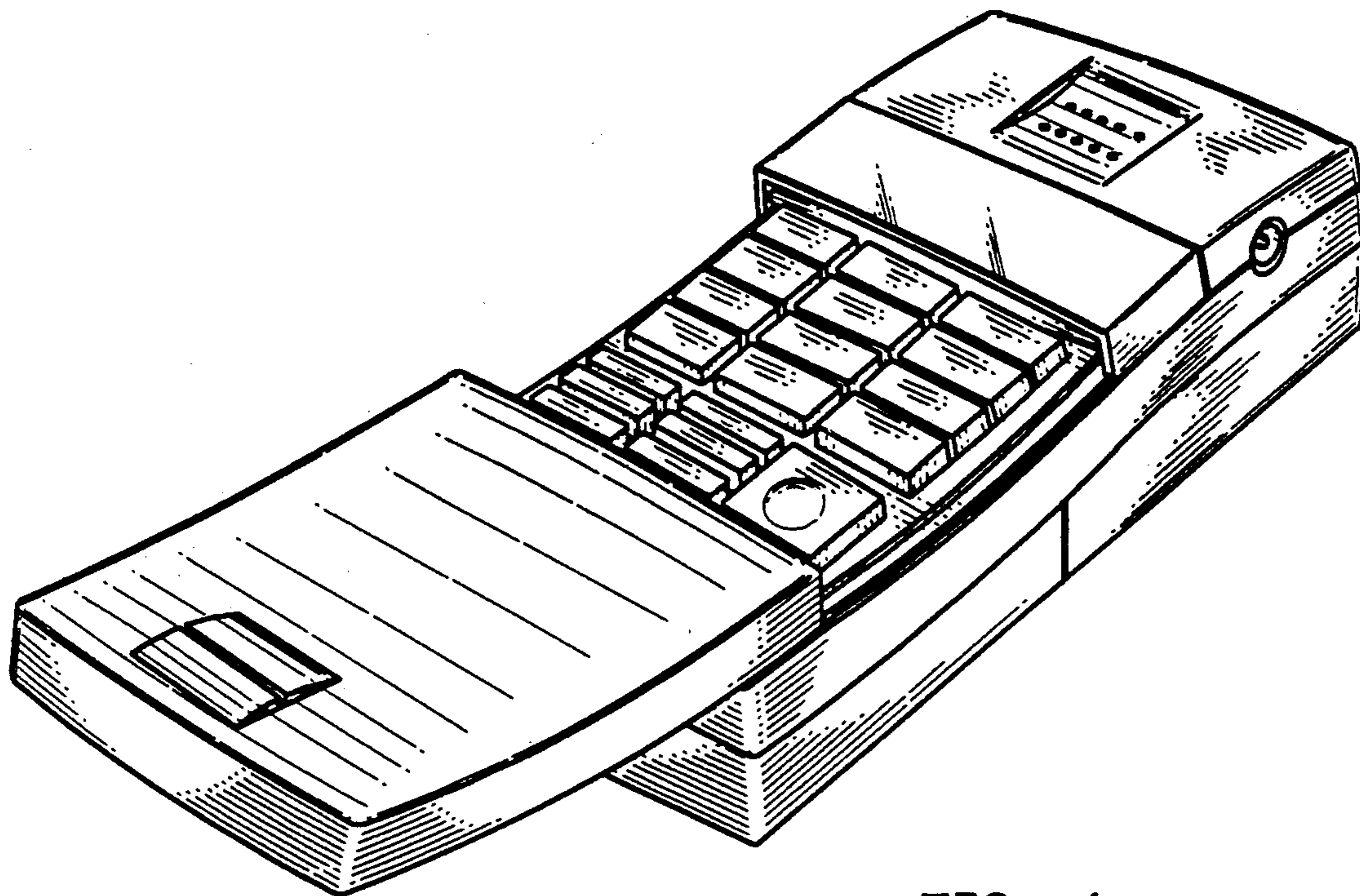


FIG. 1

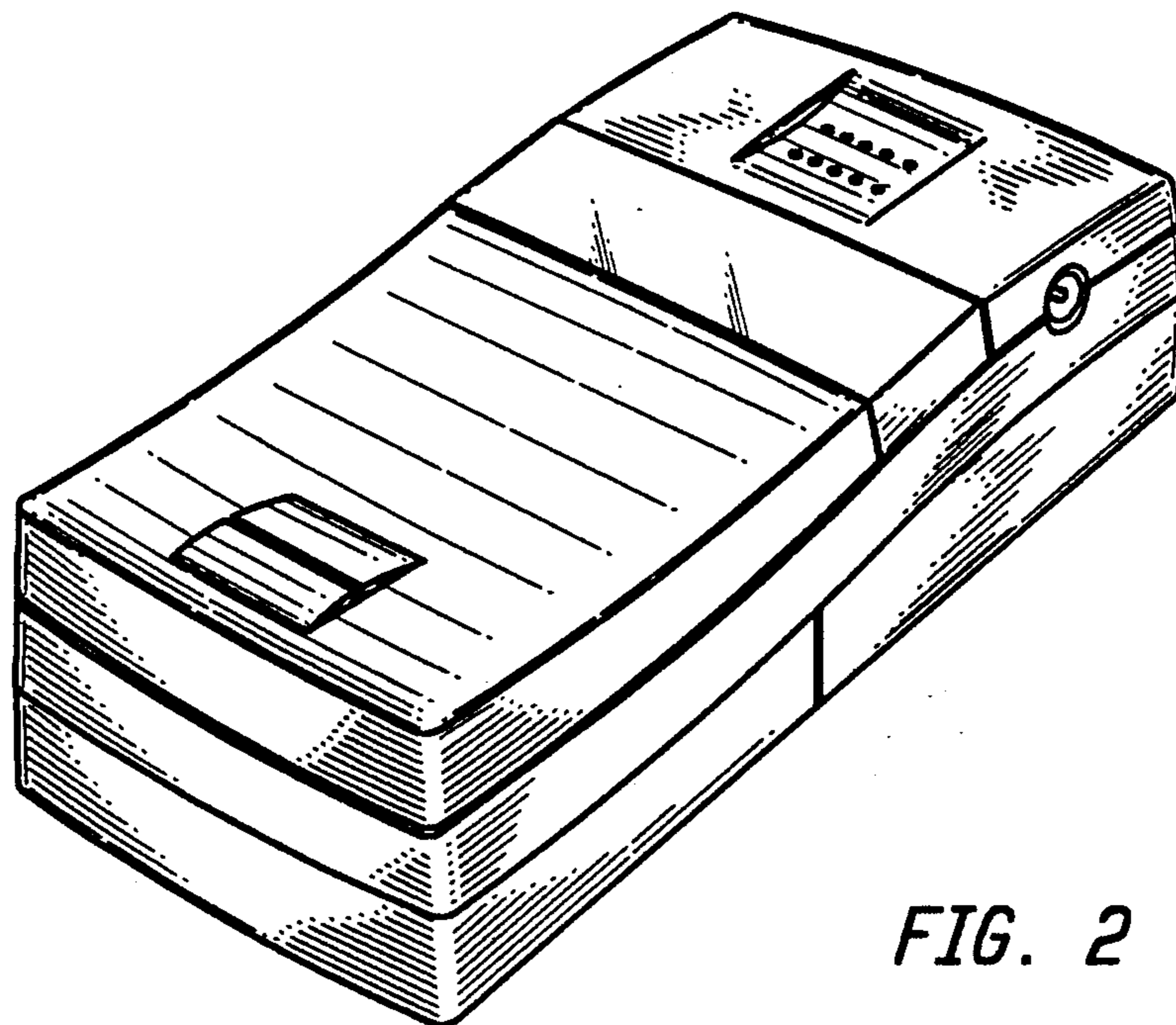


FIG. 2

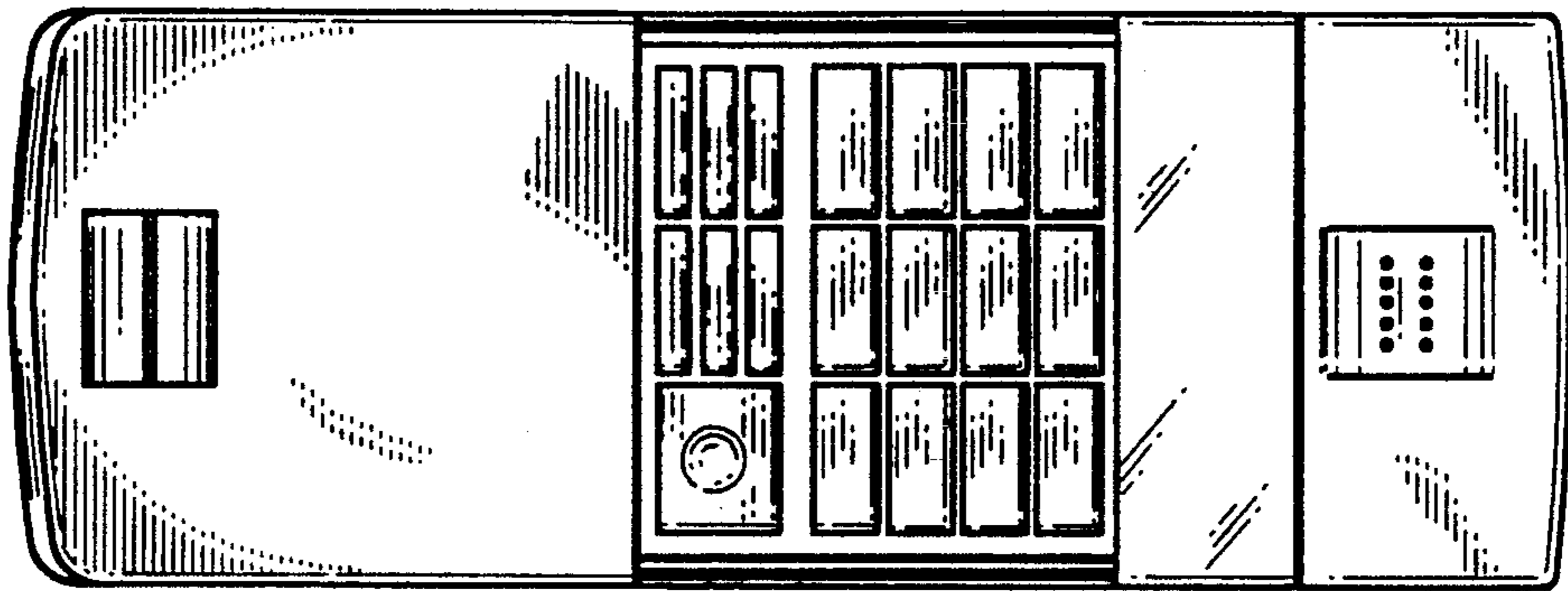


FIG. 3

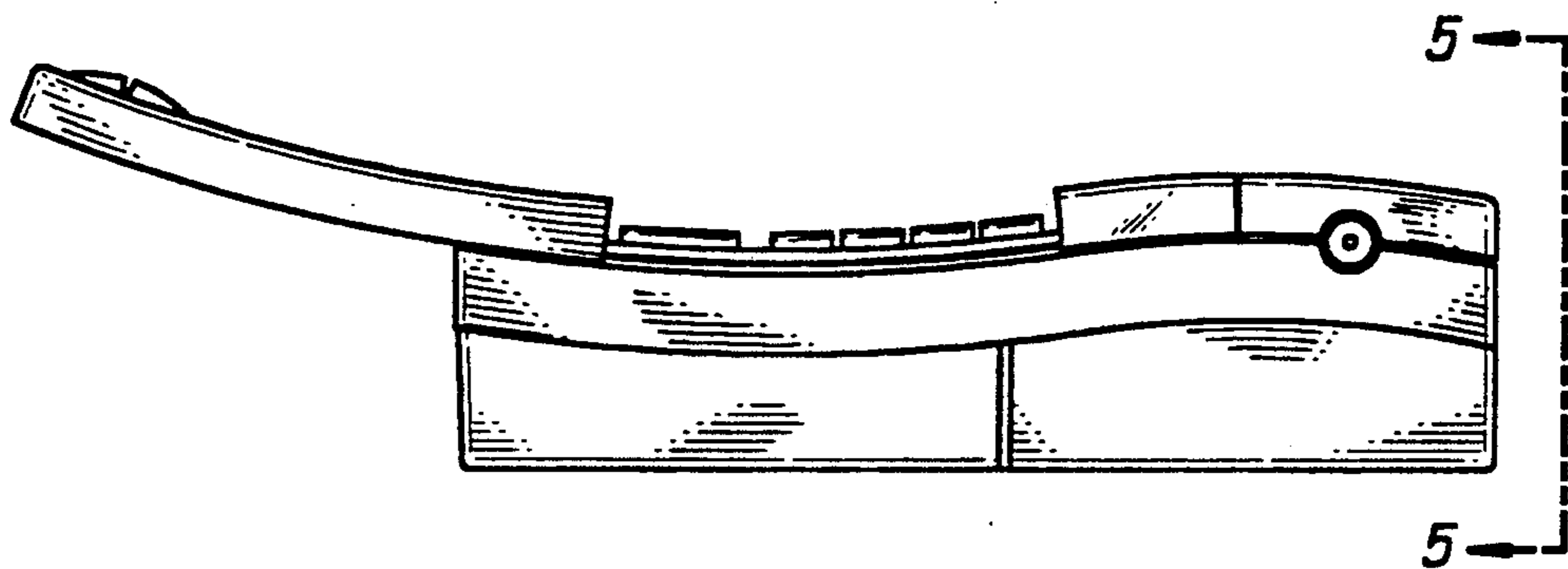


FIG. 4

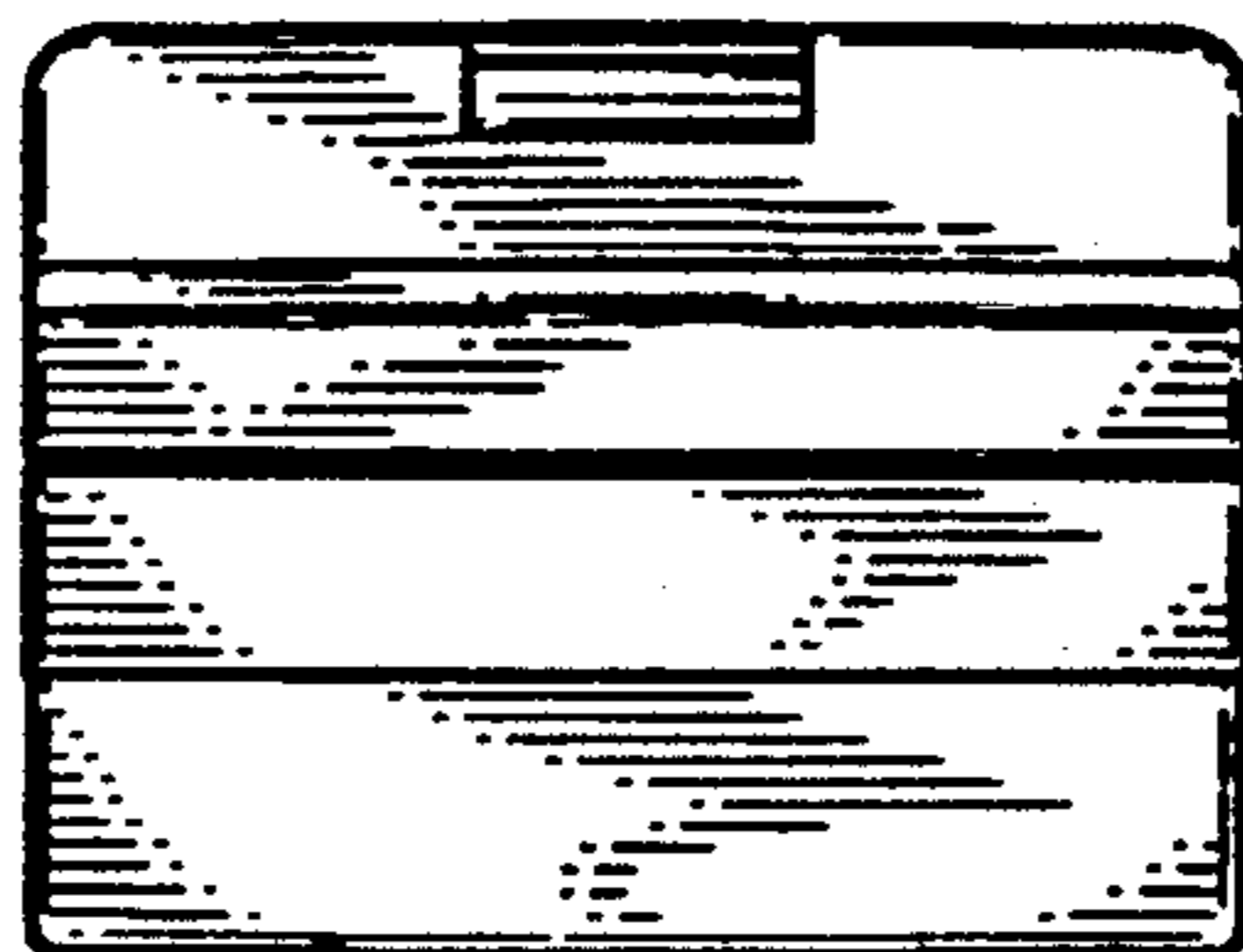


FIG. 5

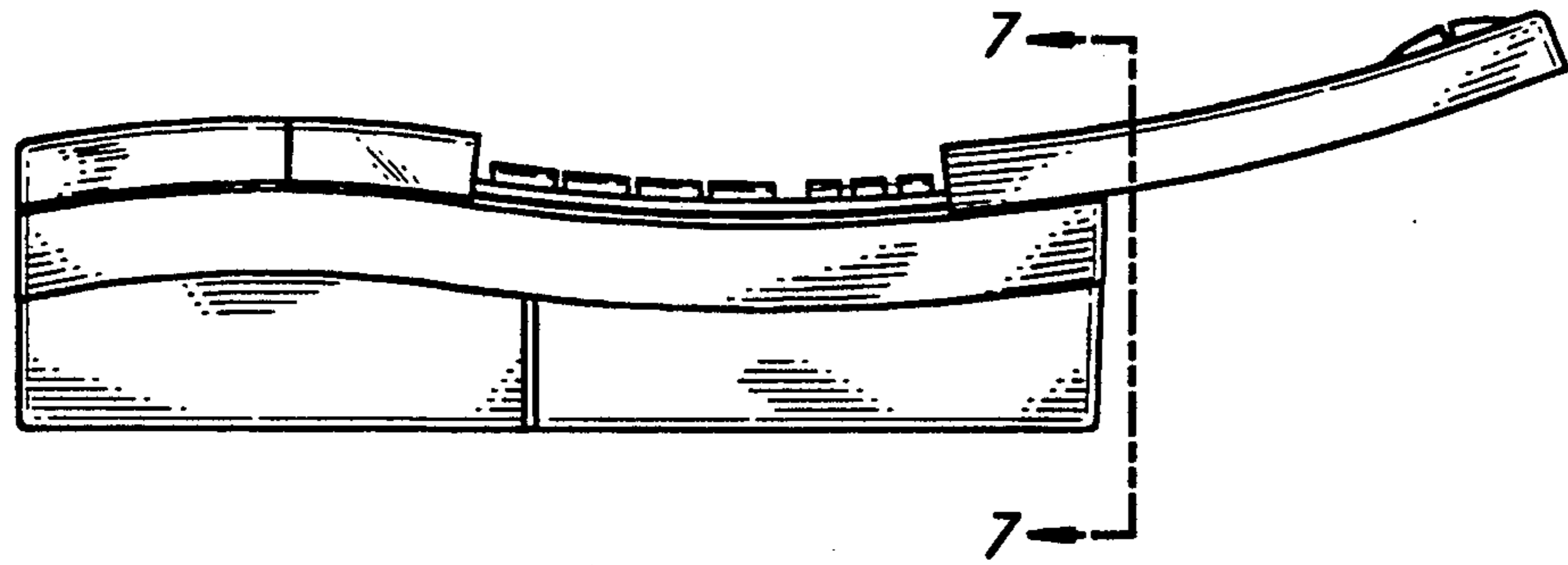


FIG. 6

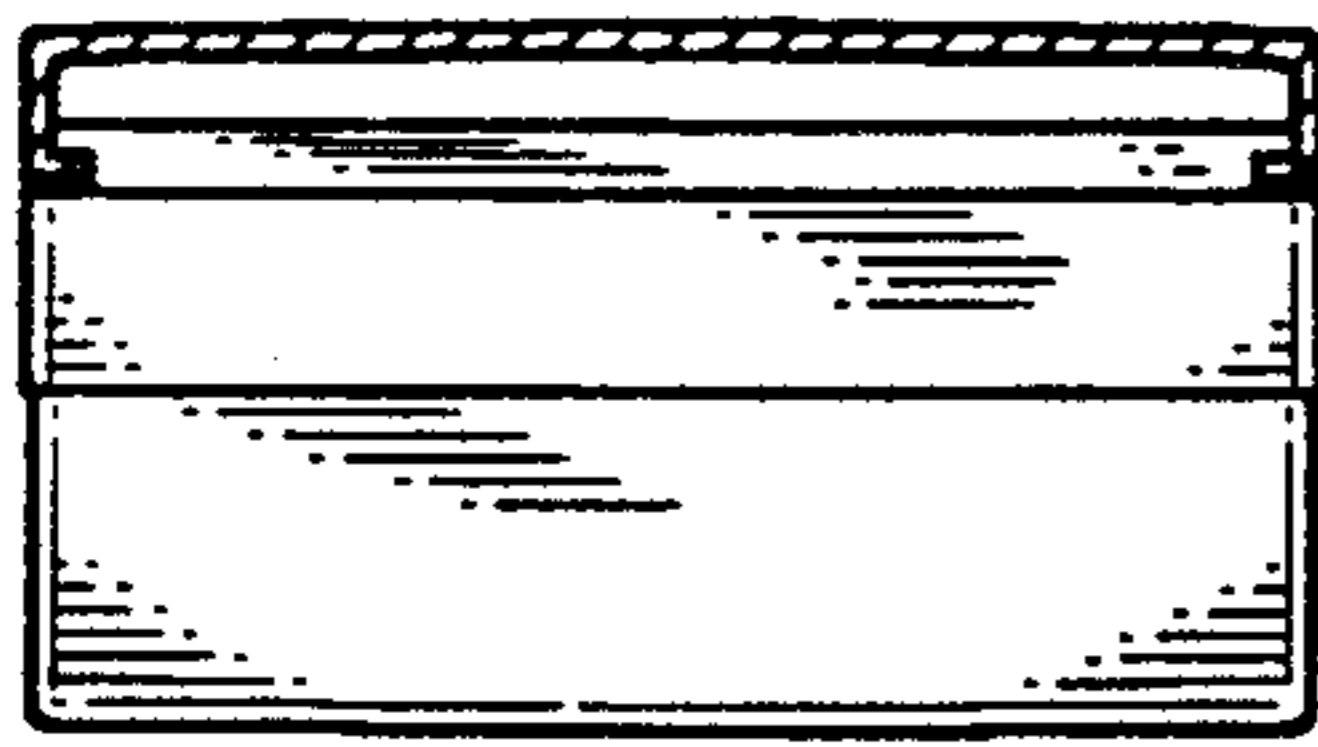


FIG. 7

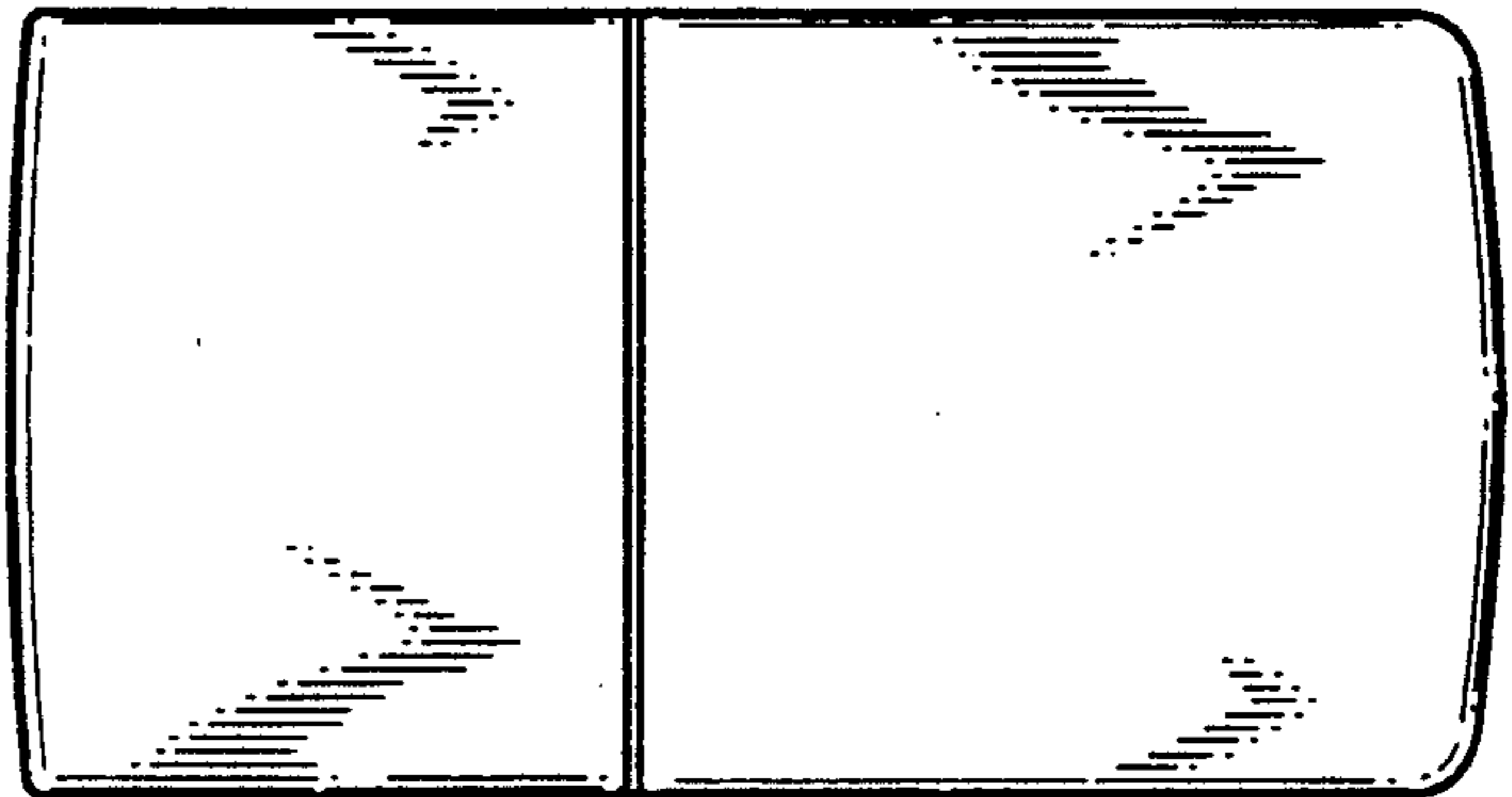


FIG. 10

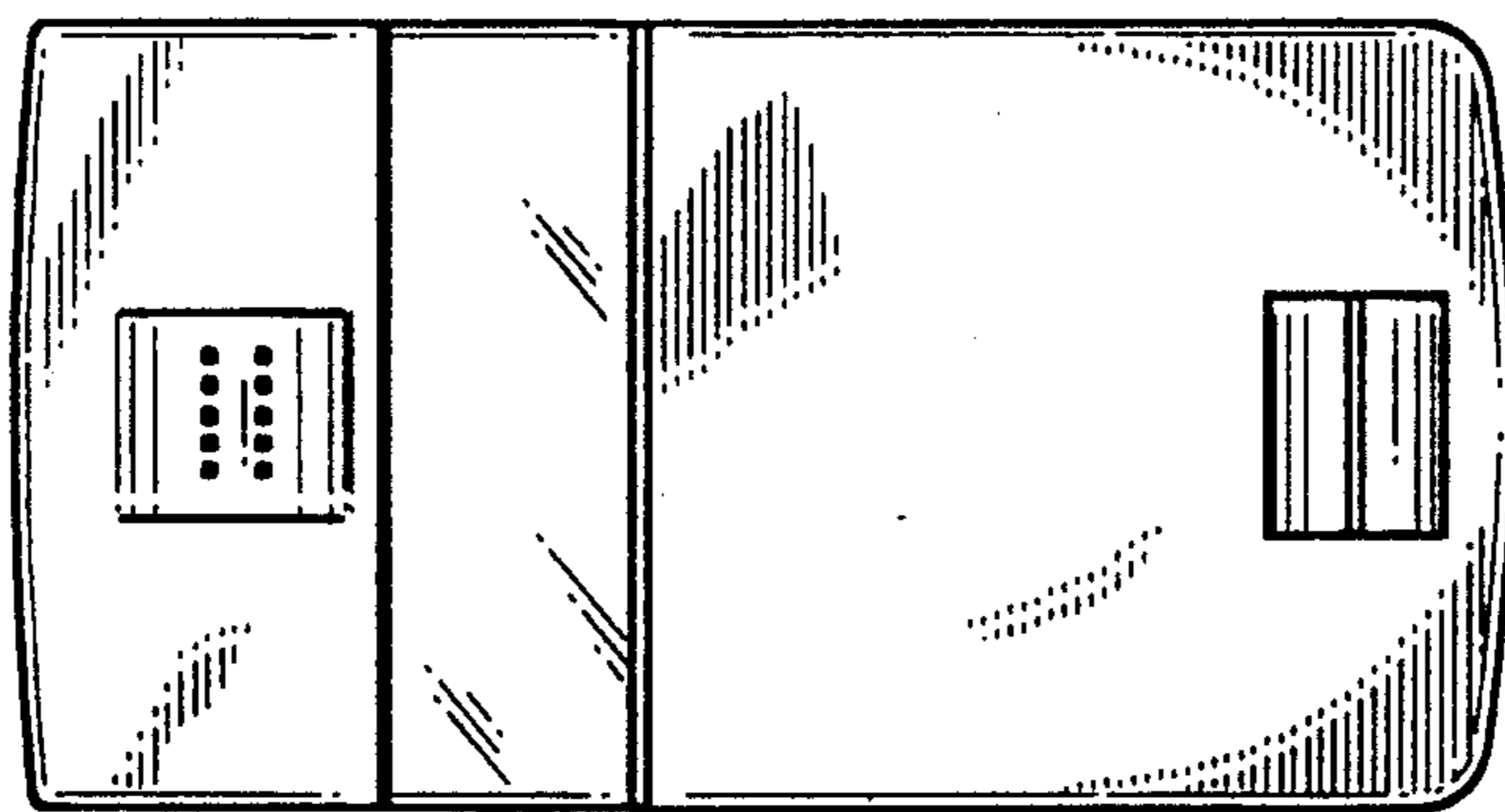


FIG. 8

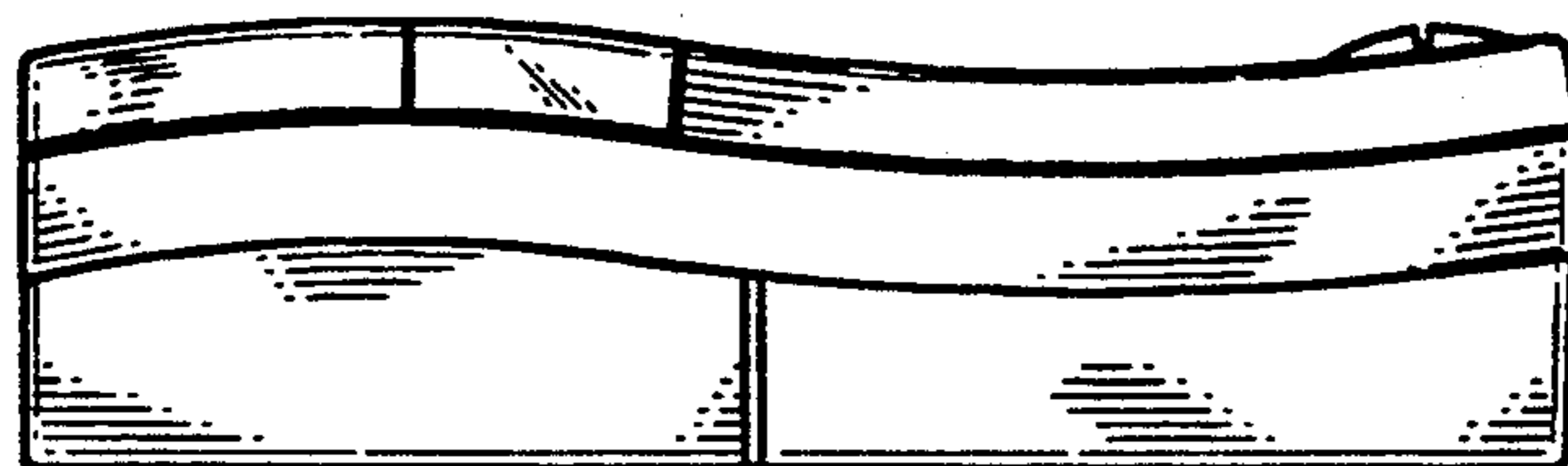


FIG. 9