



US00D327057S

United States Patent [19]

[11] Patent Number: **Des. 327,057**

Gosch

[45] Date of Patent: **** Jun. 16, 1992**

[54] **COMBINED ALPHA-NUMERIC KEYBOARD AND DISPLAY MODULE FOR A COMMUNICATION SYSTEM OR SIMILAR ARTICLE**

4,203,013 5/1980 Serras-Paulet 235/145 R X

[75] Inventor: **Richard H. Gosch**, Westchester, Ill.

Primary Examiner—Wallace R. Burke
Assistant Examiner—Freda S. Nunn
Attorney, Agent, or Firm—Timothy W. Markison;
Steven G. Parmelee; Joseph P. Krause

[73] Assignee: **Motorola, Inc.**, Schaumburg, Ill.

[57] **CLAIM**

[**] Term: **14 Years**

The ornamental design for a combined alpha-numeric keyboard and display module for a communication system or similar article, as shown and described.

[21] Appl. No.: **542,618**

[22] Filed: **Jun. 25, 1990**

DESCRIPTION

[52] U.S. Cl. **D14/115**

[58] **Field of Search** D14/100, 101, 105, 106, D14/115, 247; D18/1, 7, 11, 12; 340/700, 706, 711, 712; 341/22, 23; 235/145 A, 145 R; 400/493.1, 494, 472, 473, 485, 488, 489, 486, 693; 364/706-709.09, 900

FIG. 1 is a reduced top end and side perspective view of a combined alpha-numeric keyboard and display module for a communication system or similar article showing my new design, the broken lines being shown for illustrative purposes only and form no part of the claimed design;

FIG. 2 is a top plan view thereof;

FIG. 3 is a side elevational view thereof opposite that shown in FIG. 1; and,

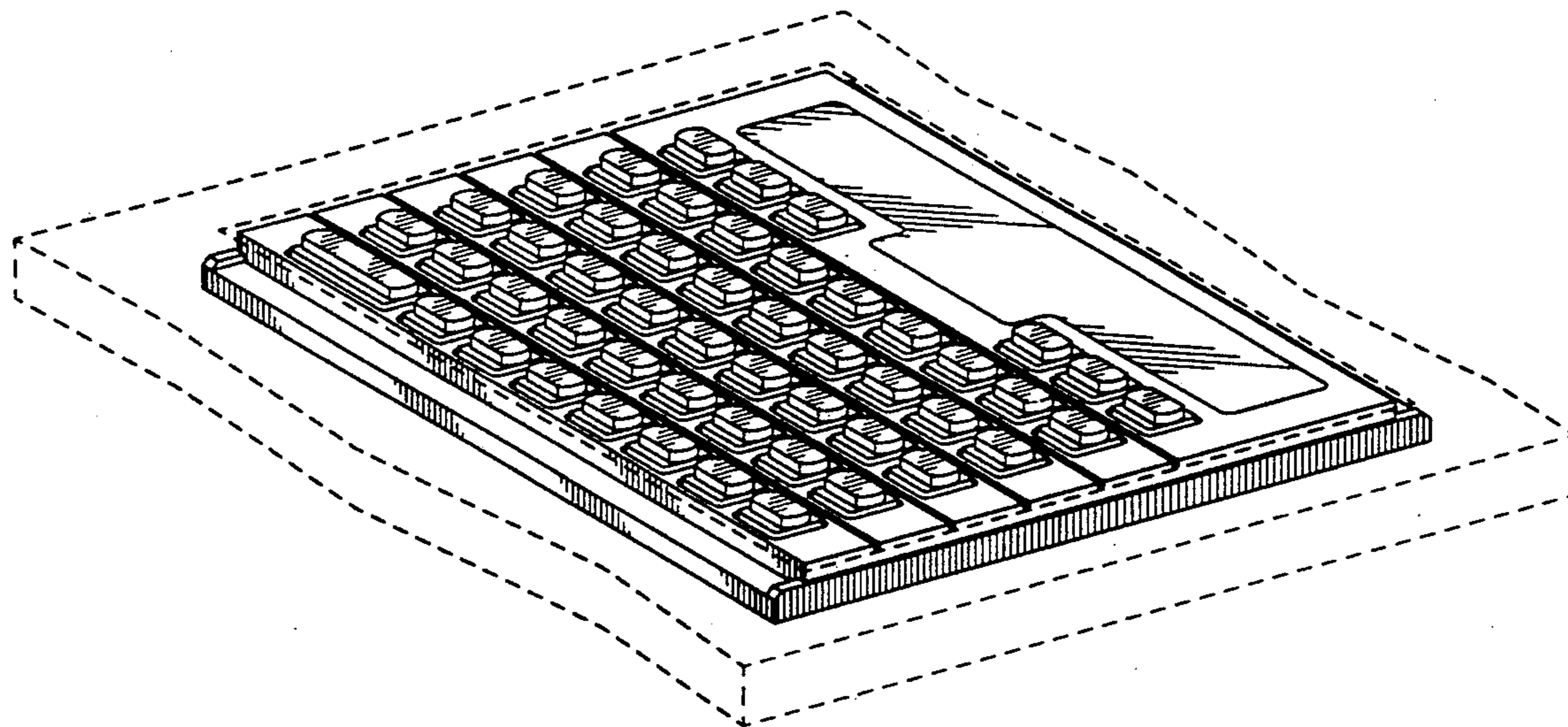
FIG. 4 is an end elevational view thereof opposite that shown in FIG. 1.

The bottom plan view is flat and unornamented.

[56] **References Cited**

U.S. PATENT DOCUMENTS

- D. 258,654 3/1981 Levy D14/100
- D. 302,428 7/1989 Klebba D14/115
- D. 308,693 6/1990 Sakaguchi et al. D18/7



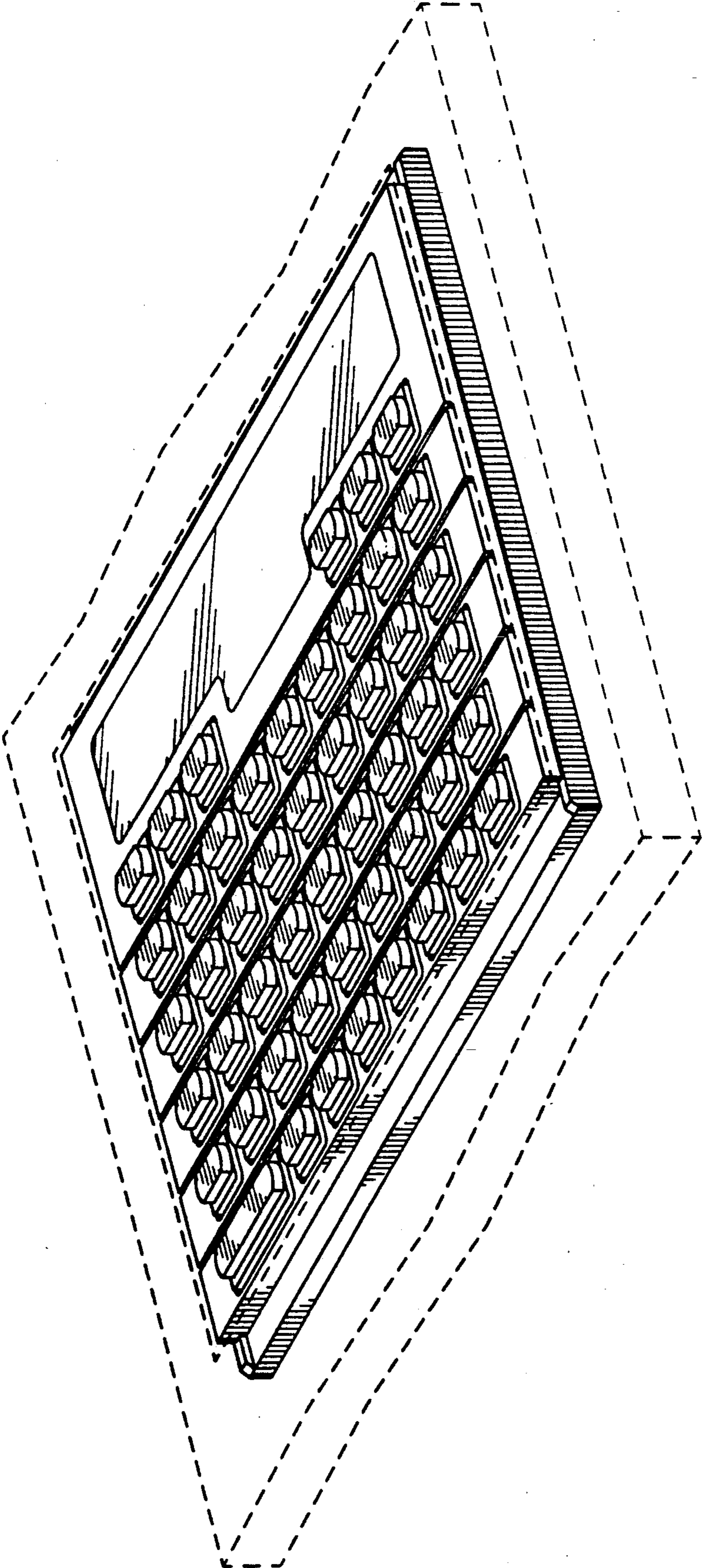


FIG. 1

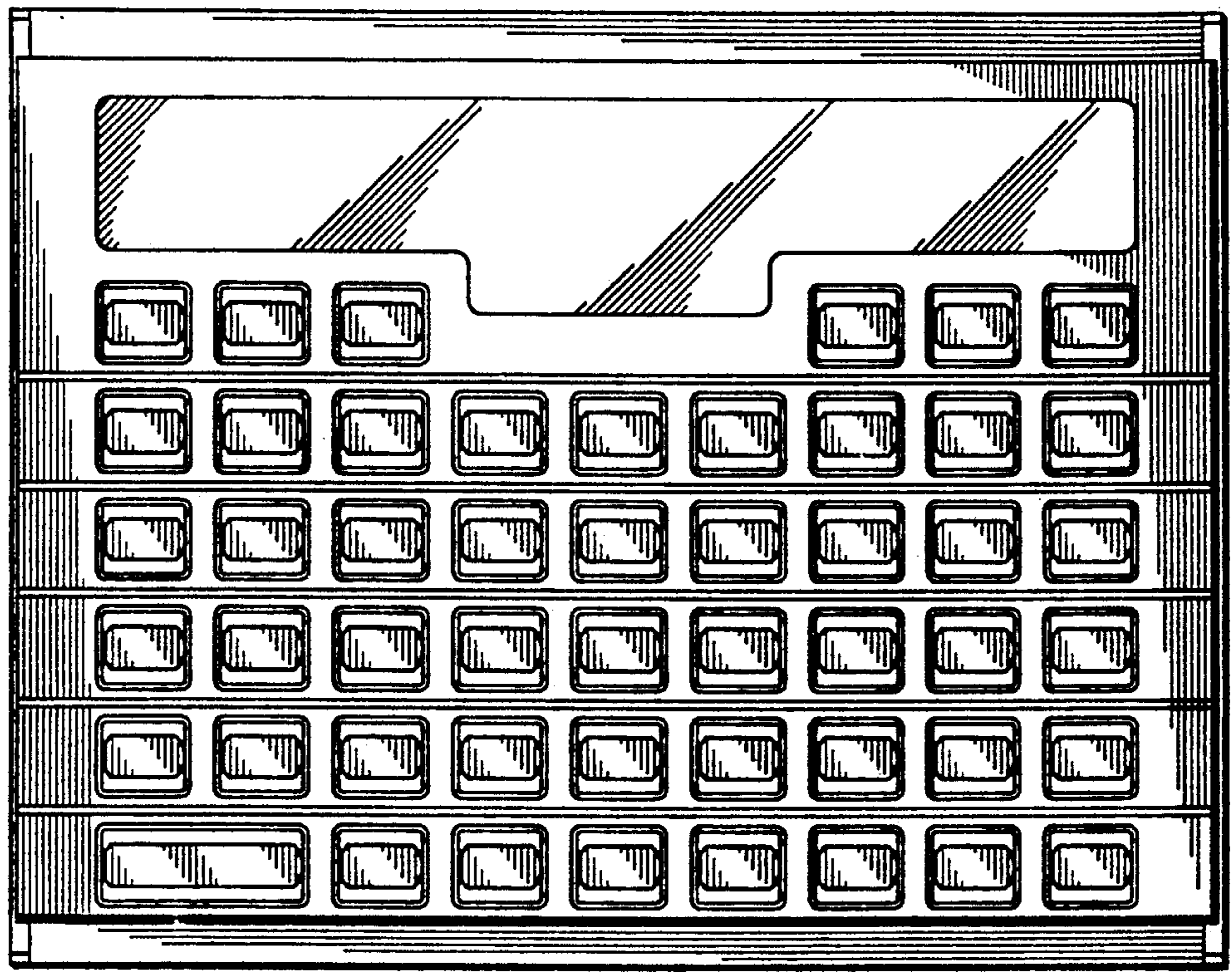


FIG. 2



FIG. 3



FIG. 4