



US00D327056S

United States Patent [19]

[11] Patent Number: **Des. 327,056**

Martin

[45] Date of Patent: **** Jun. 16, 1992**

[54] **DOCUMENT SORTER**

4,619,367 10/1986 Dorman 209/608
4,927,031 5/1990 Martin 271/305 X

[75] Inventor: **Emilio B. Martin, Madrid, Spain**

Primary Examiner—Wallace R. Burke
Assistant Examiner—Freda S. Nunn
Attorney, Agent, or Firm—Johnson & Gibbs

[73] Assignee: **Amper, S.A., Madrid, Spain**

[**] Term: **14 Years**

[21] Appl. No.: **360,748**

[57] **CLAIM**

[22] Filed: **Jun. 2, 1989**

The ornamental design for the document sorter, as shown and described.

[30] **Foreign Application Priority Data**

DESCRIPTION

Oct. 19, 1988 [ES] Spain 117125

FIG. 1 is a perspective view of a document sorter showing my new design;

[52] U.S. Cl. **D18/47**

FIG. 2 is a side elevational view thereof;

[58] **Field of Search** D14/110; D18/42;
361/390-395, 331, 380, 381; 209/509, 554, 583,
608, 610, 613, 684; 271/272-274, 302, 305, 173,
289, 297, 188, 209

FIG. 3 is an opposite side elevational view thereof;

FIG. 4 is a front elevational view thereof;

FIG. 5 is an inverted rear elevational view thereof;

[56] **References Cited**

U.S. PATENT DOCUMENTS

3,087,612 4/1963 Duncan et al. 209/554
3,339,849 9/1967 Paulus 209/608 X
3,347,241 10/1967 Hiller et al. 209/613
3,993,193 11/1976 Welch et al. 209/583 X
4,421,237 12/1983 Cross, Jr. 209/610 X
4,495,066 1/1985 Cross, Jr. 209/608

FIG. 6 is a top plan view thereof;

FIG. 7 is a perspective view of a second embodiment of my new design;

FIG. 8 is a side elevational view thereof;

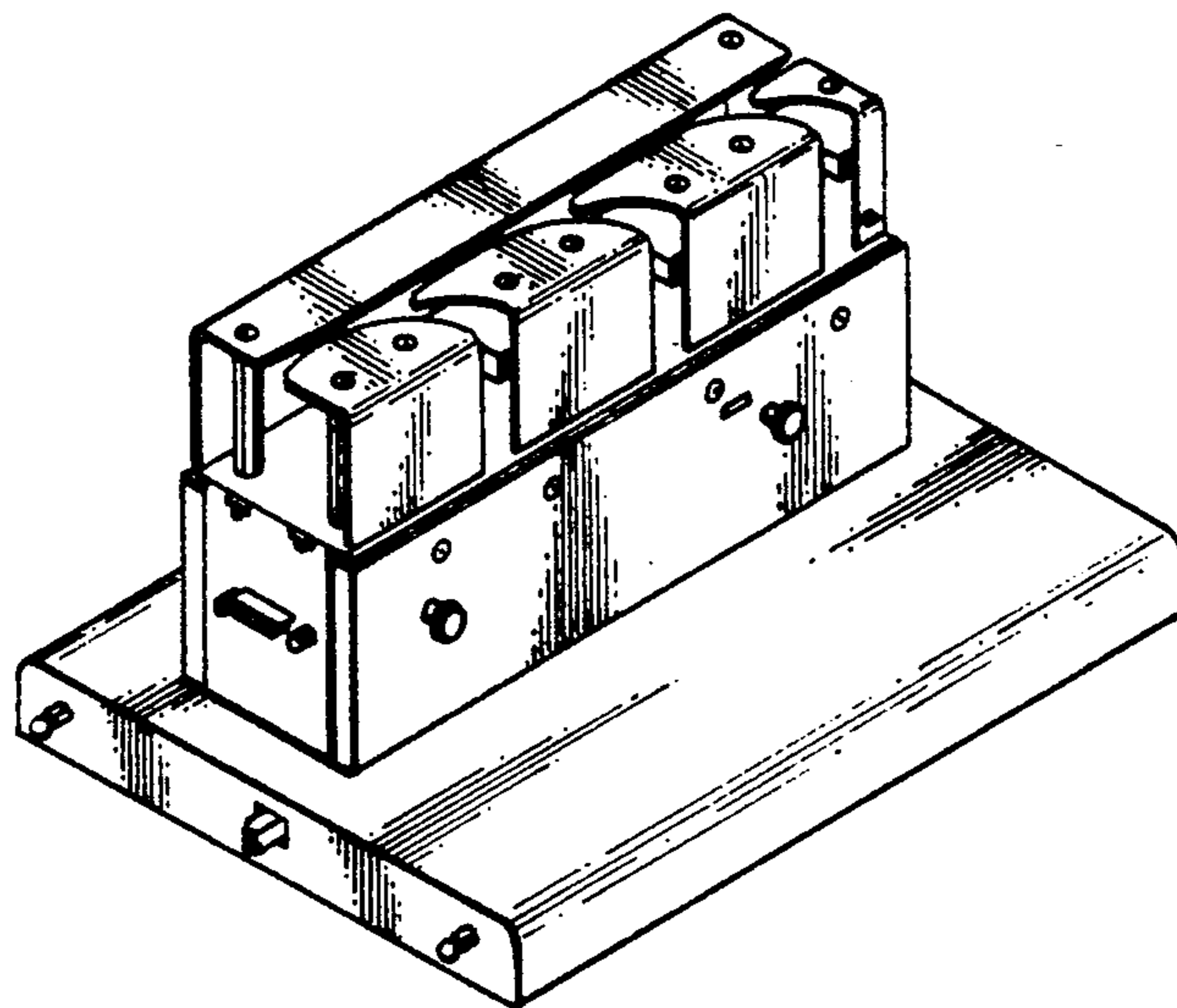
FIG. 9 is an opposite side elevational view thereof;

FIG. 10 is a front elevational view thereof;

FIG. 11 is an inverted rear elevational view thereof;

and,

FIG. 12 is a top plan view thereof.



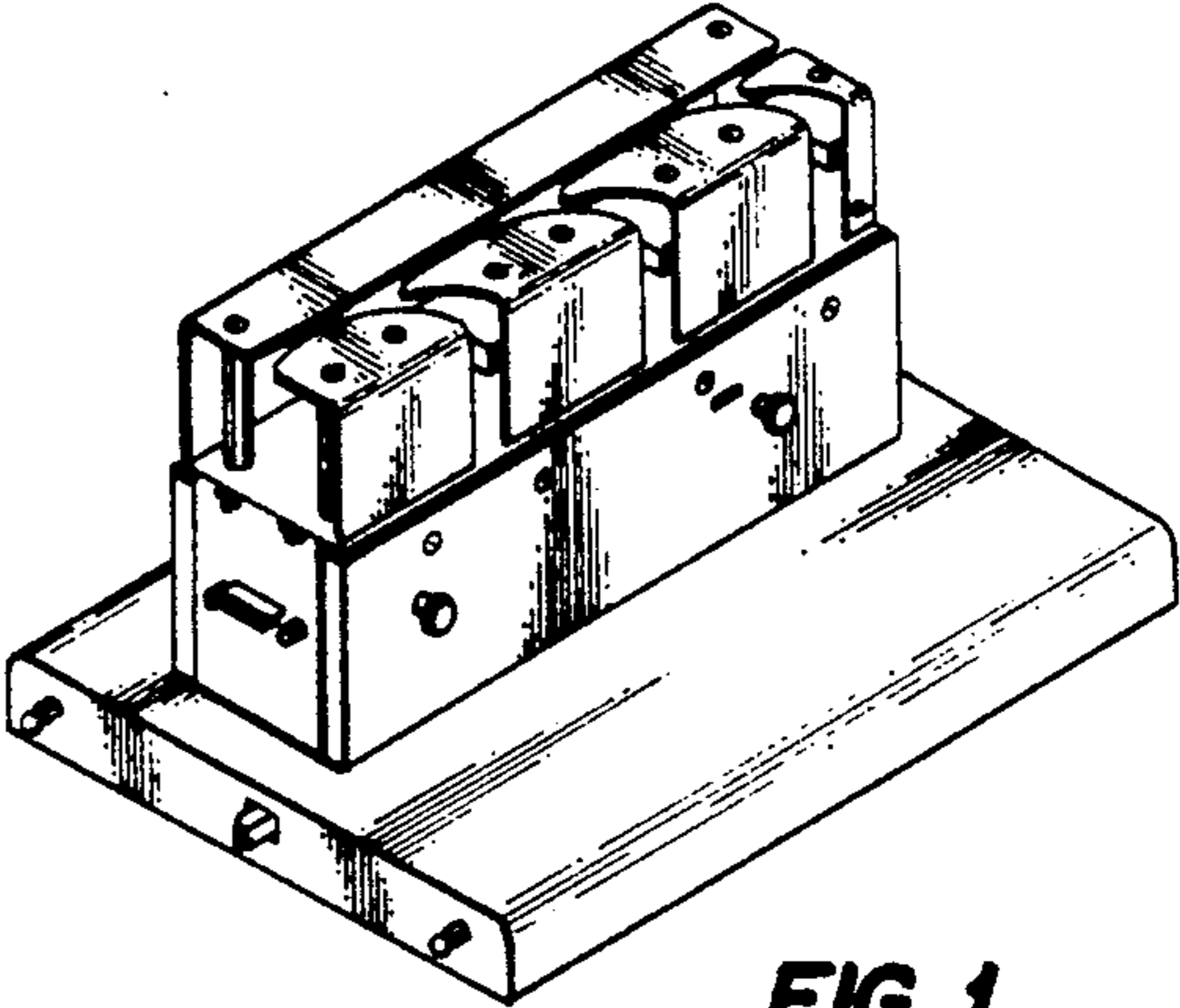


FIG. 1

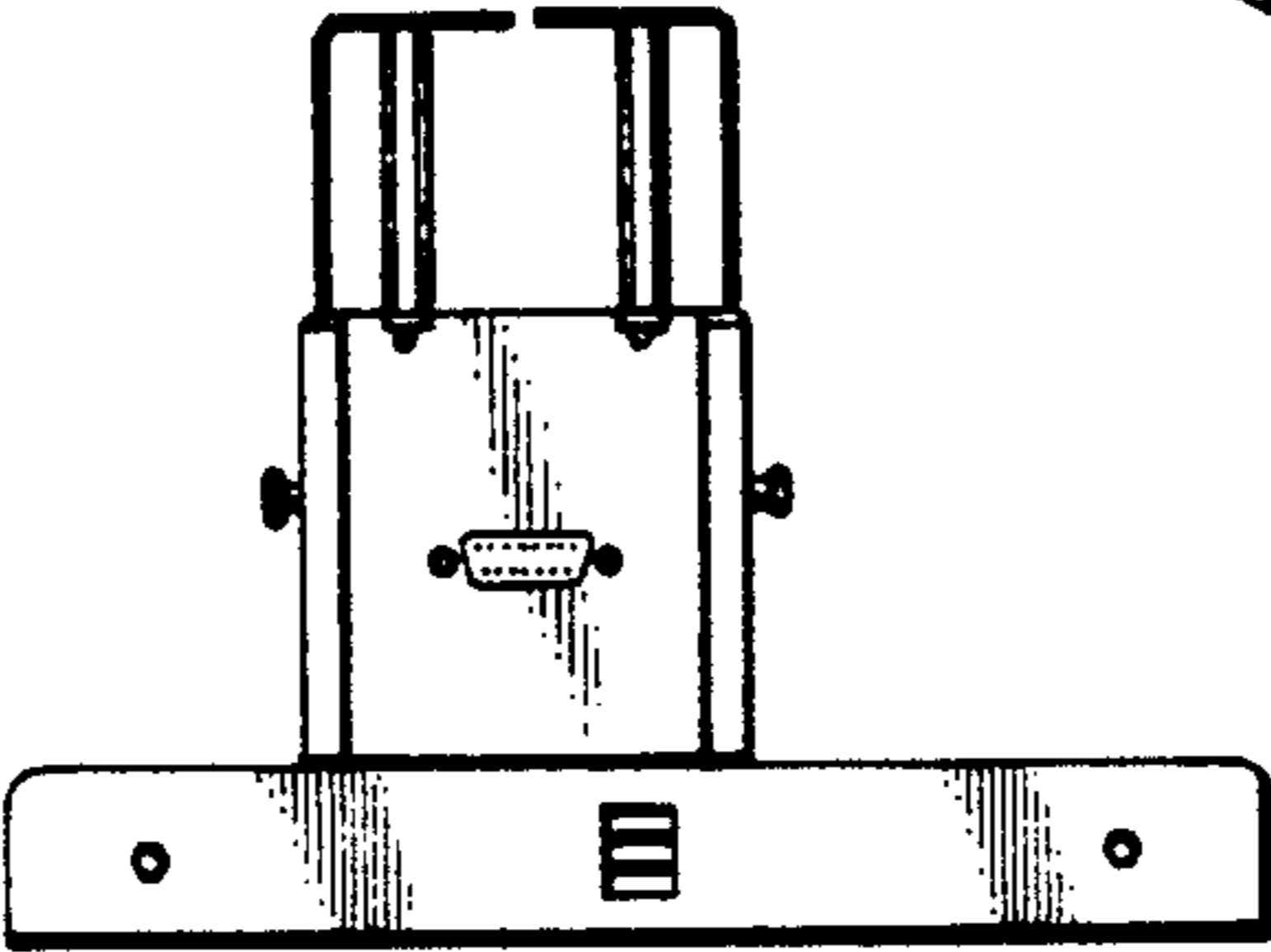


FIG. 4

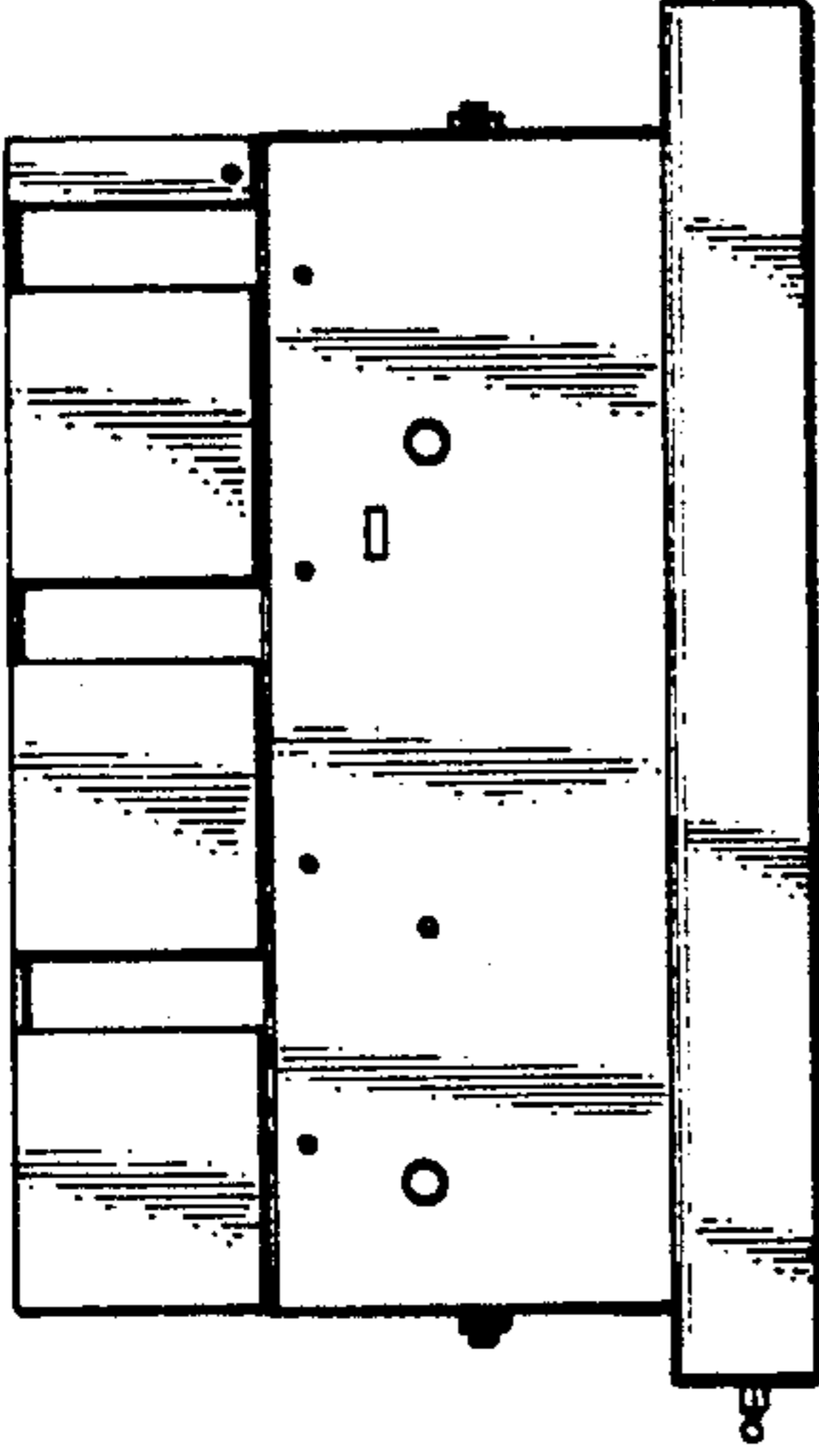


FIG. 2

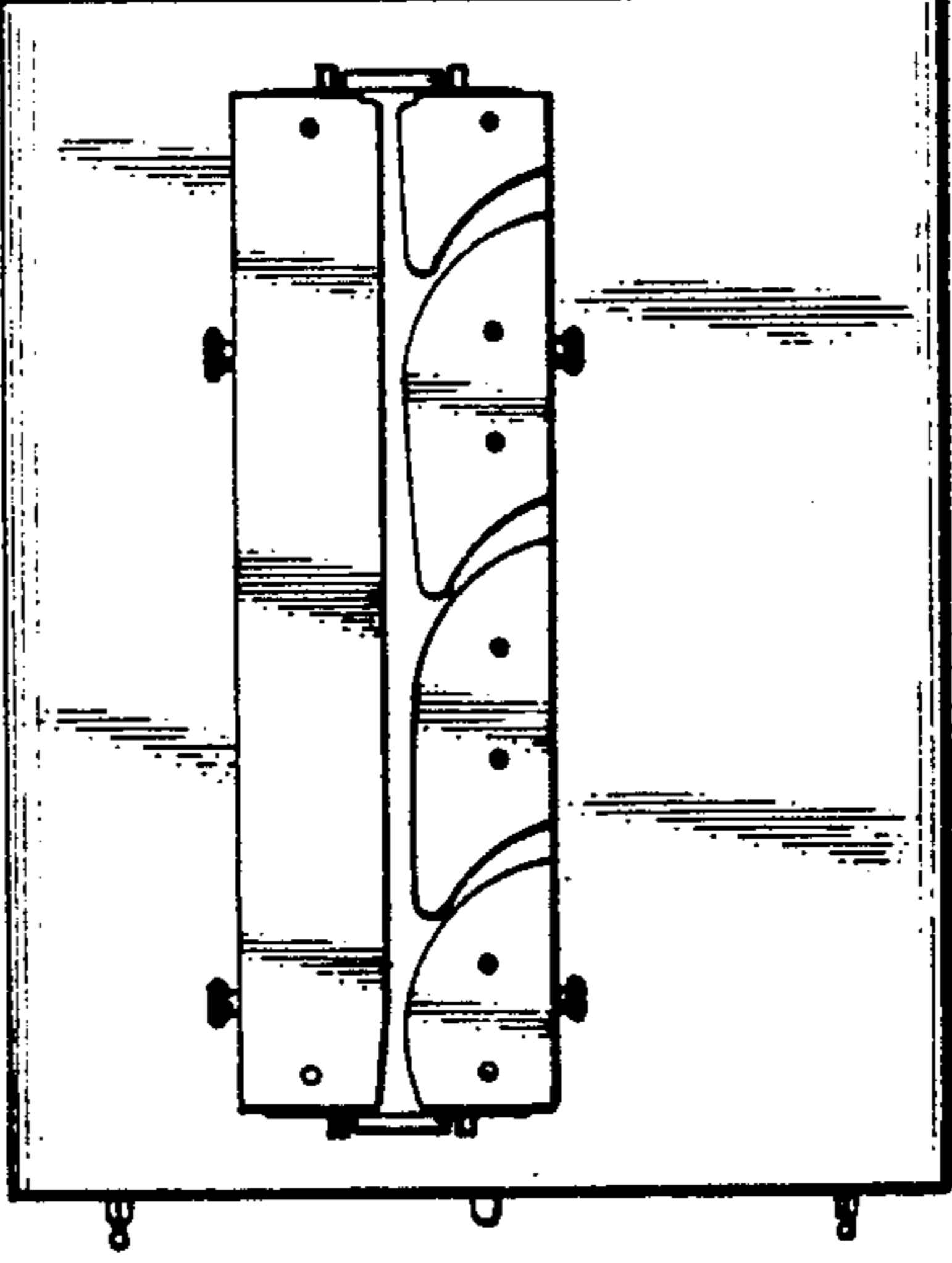


FIG. 6

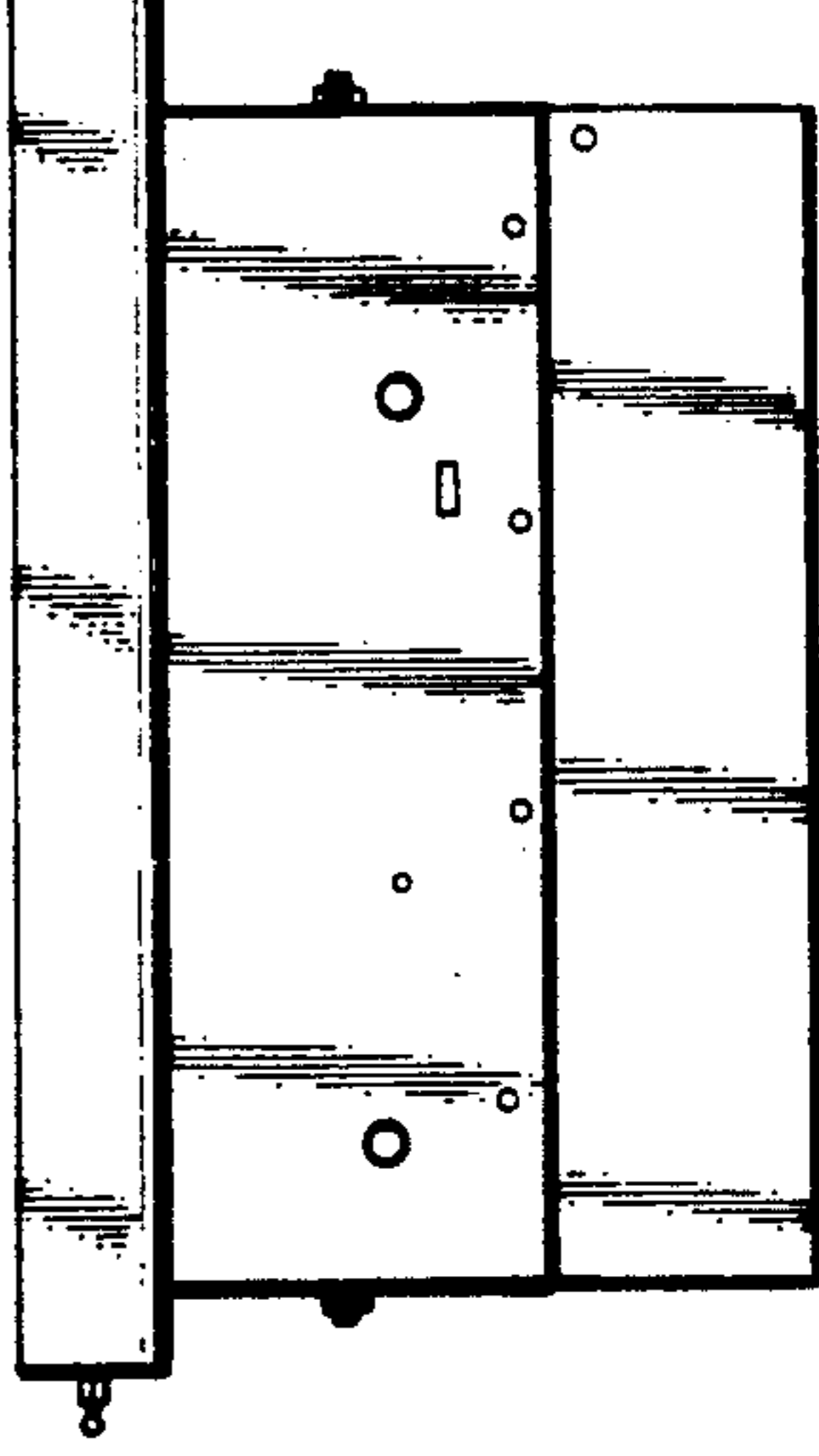


FIG. 3

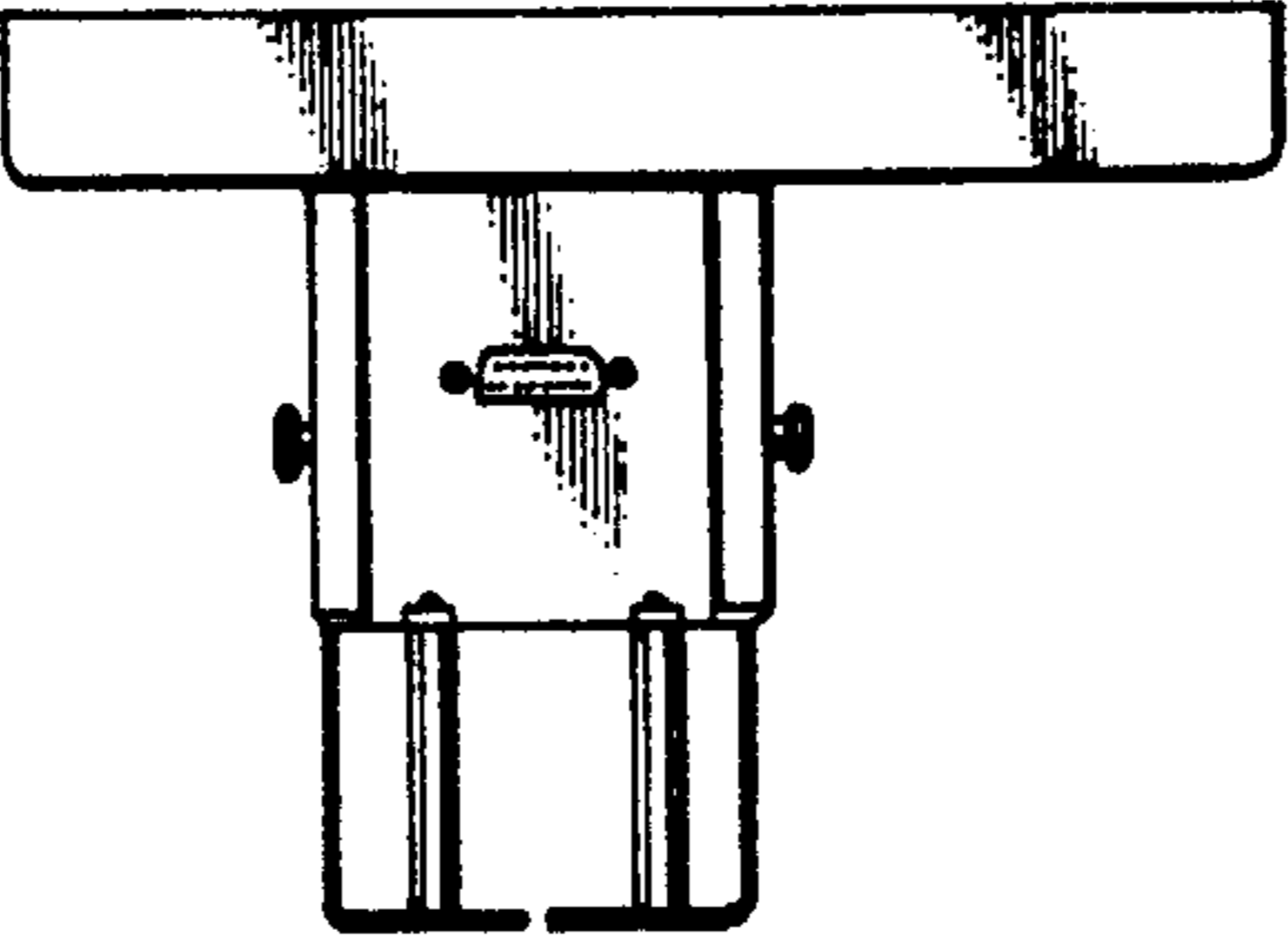


FIG. 5

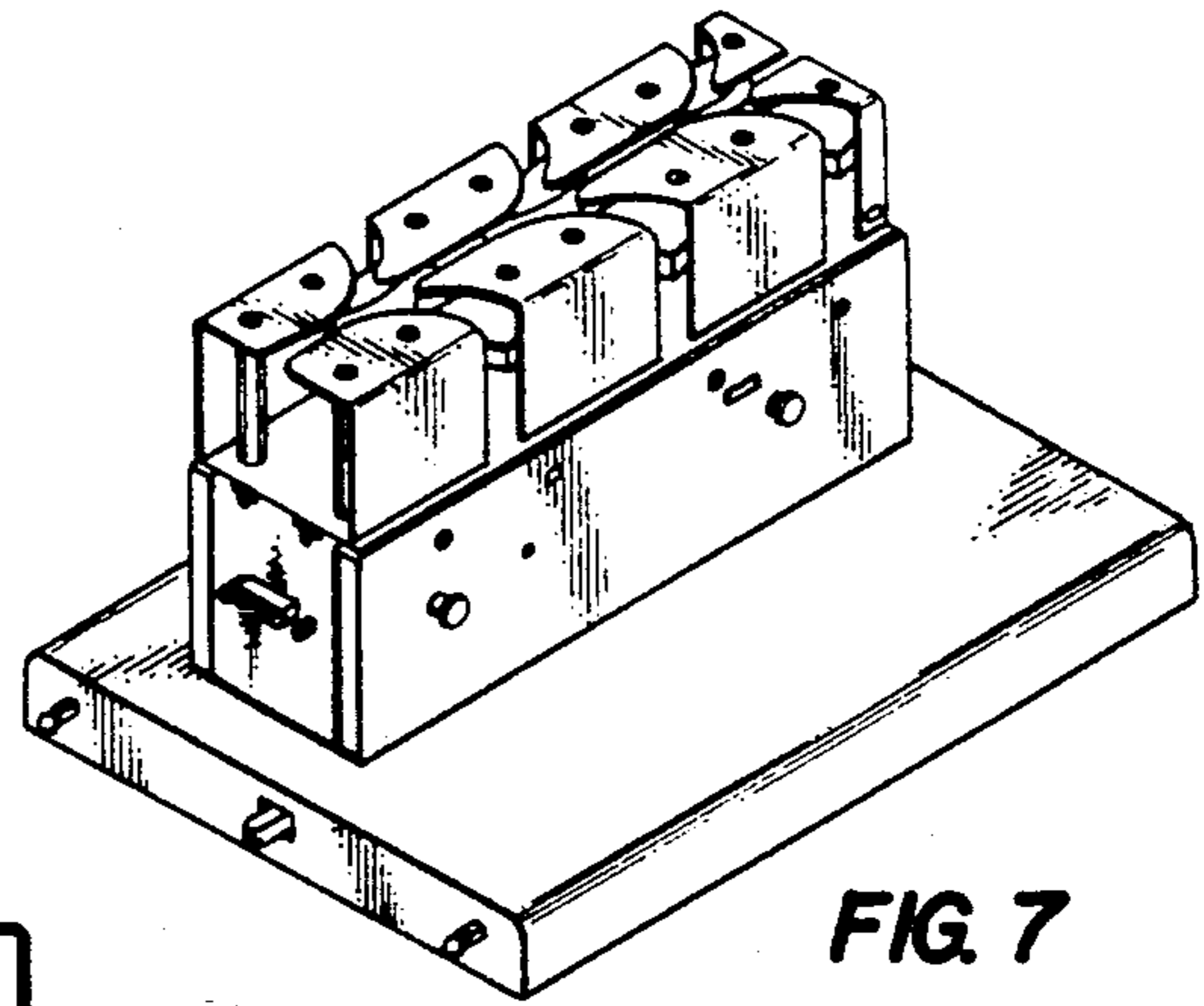


FIG. 7

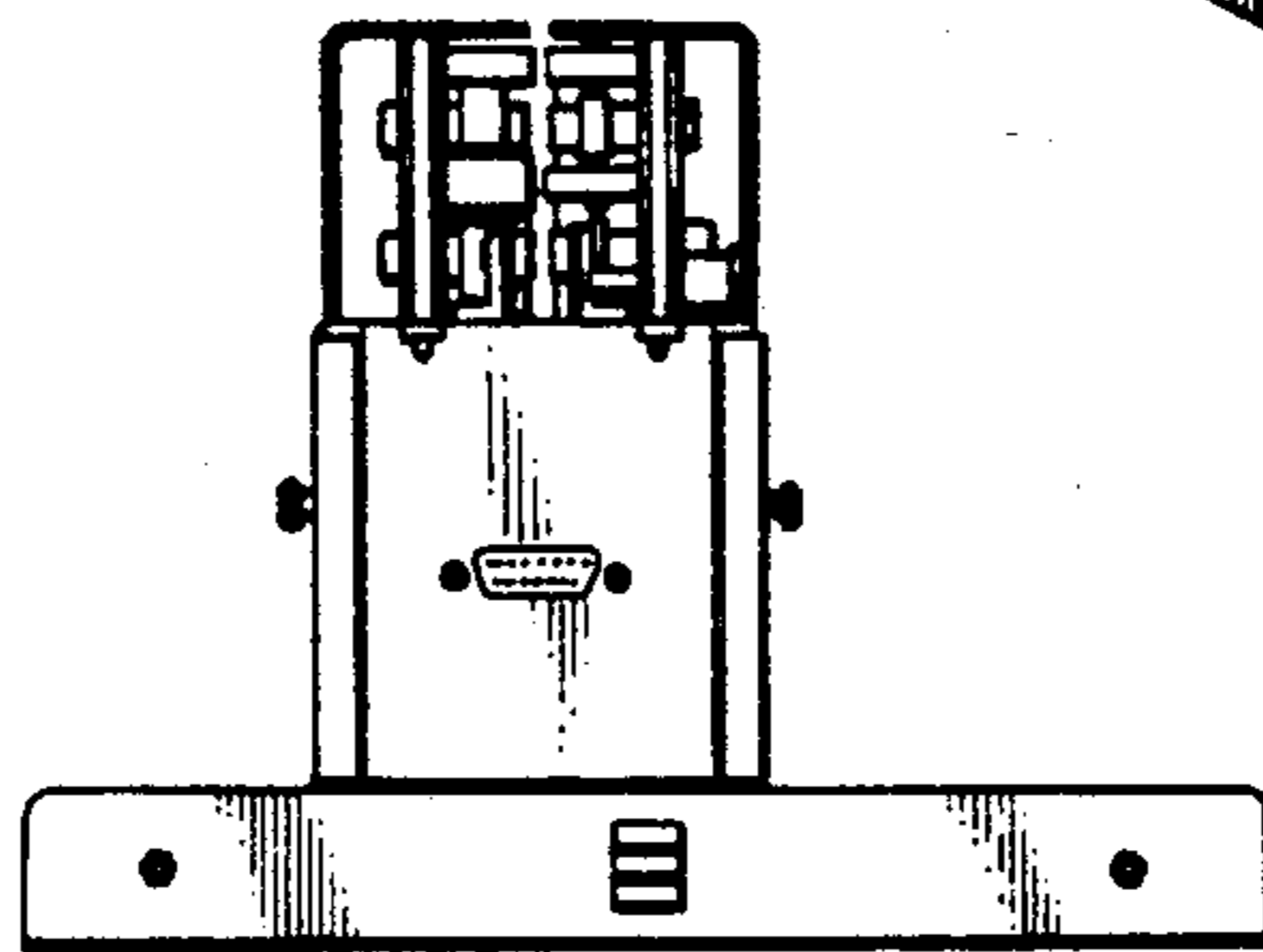


FIG. 10

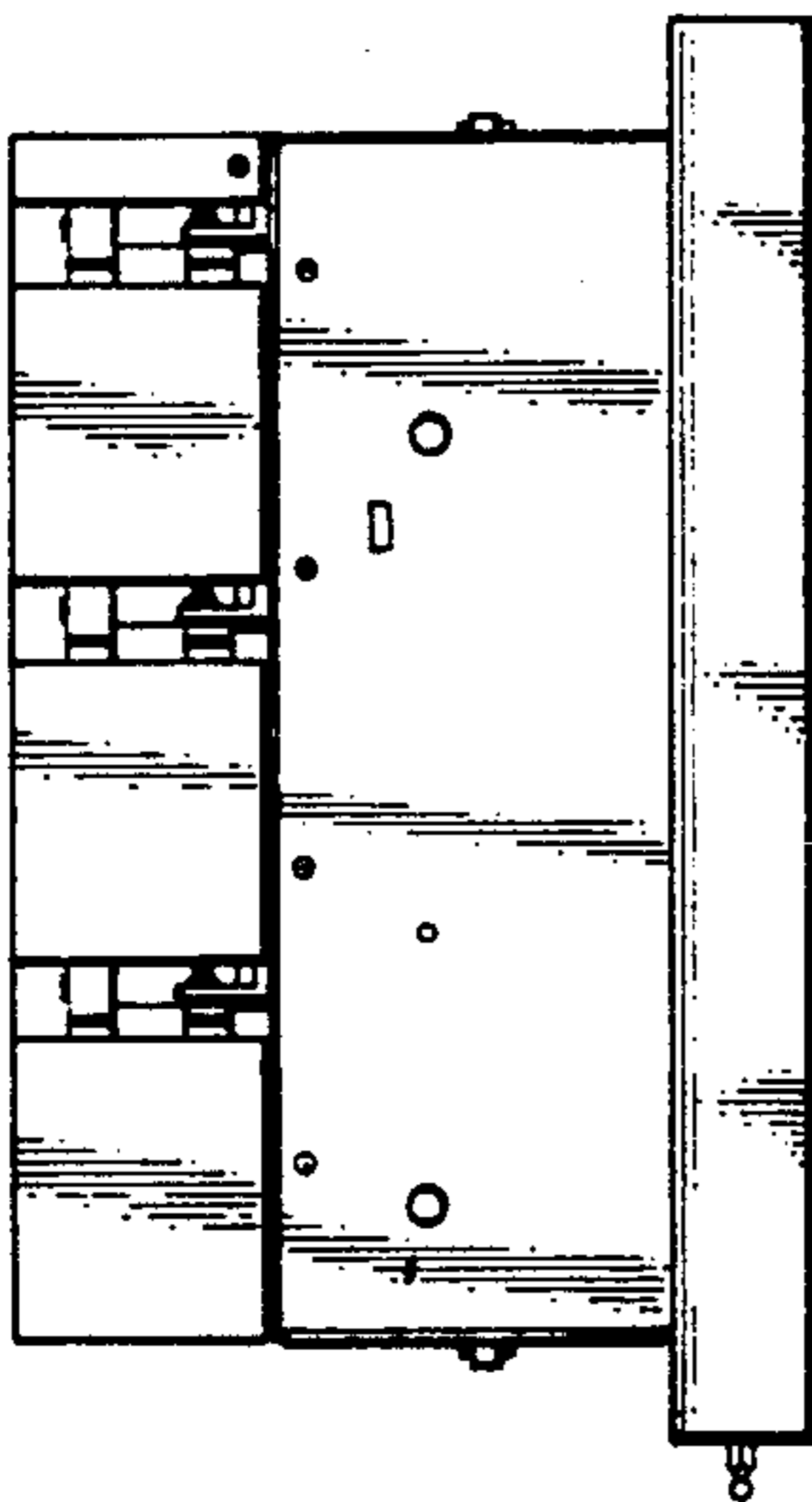


FIG. 8

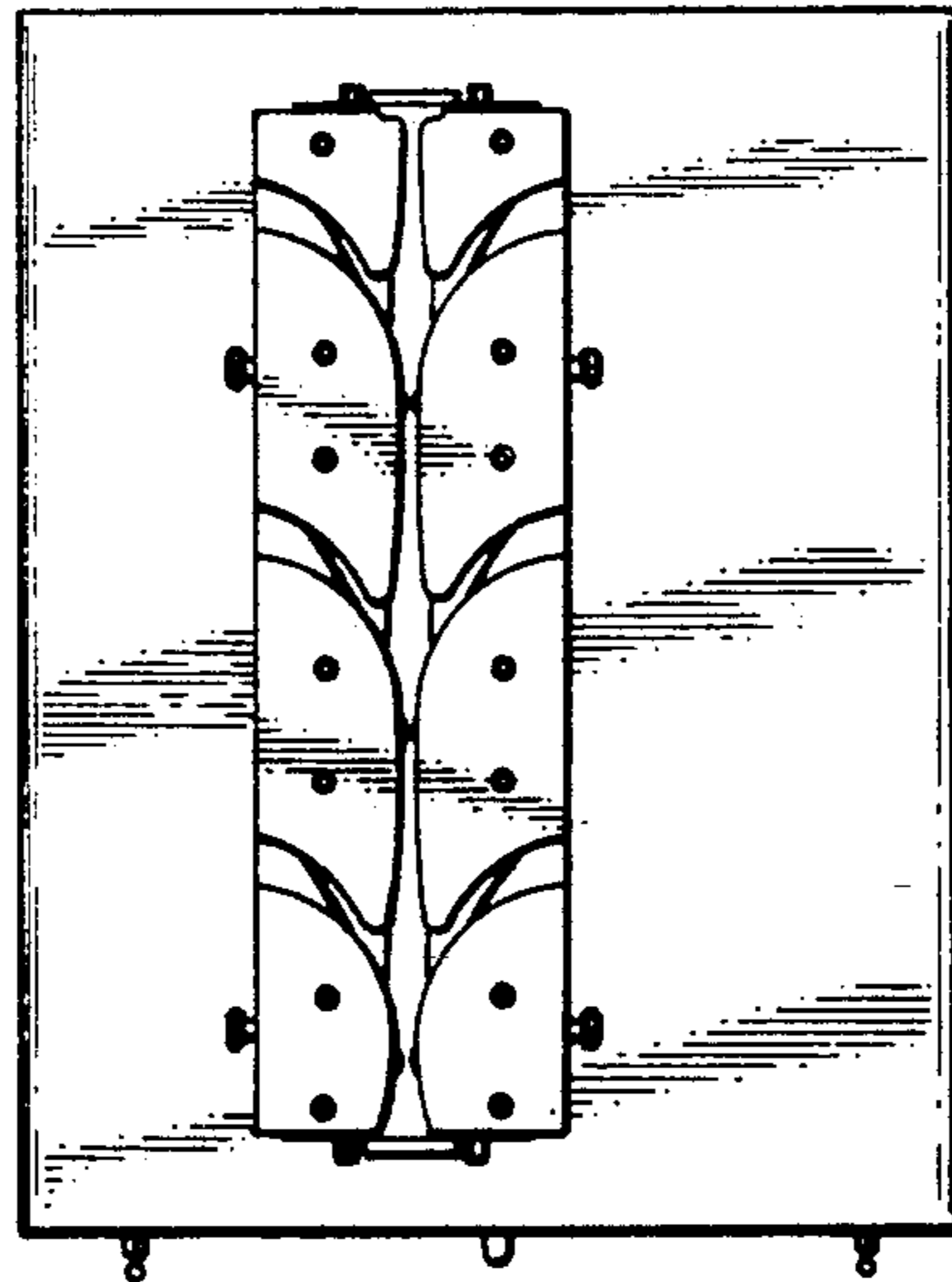


FIG. 12

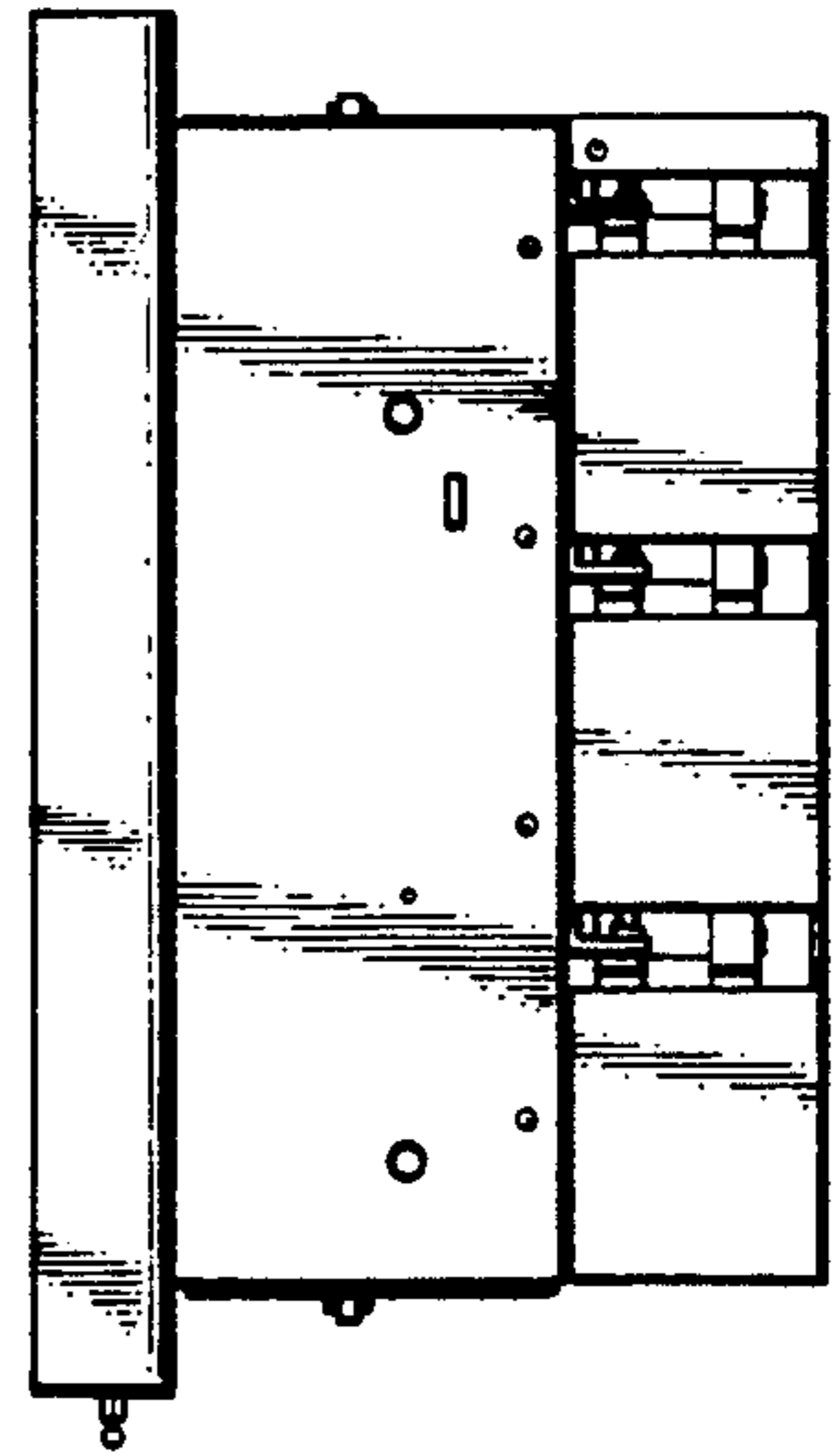


FIG. 9

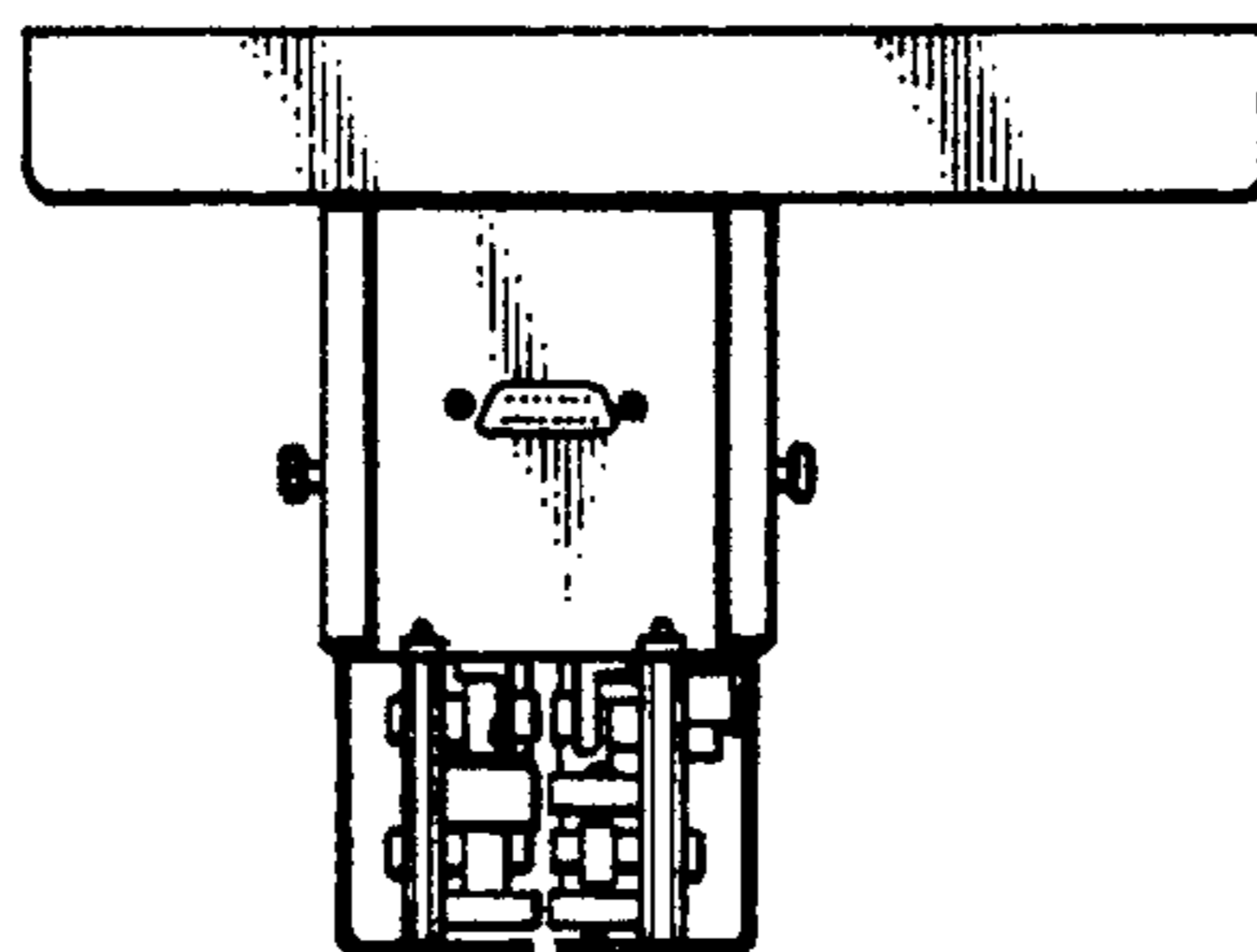


FIG. 11