



US00D327052S

United States Patent [19]

[11] Patent Number: **Des. 327,052**

Roberts et al.

[45] Date of Patent: **** Jun. 16, 1992**

[54] **HAND-HELD TRANSMITTER FOR REMOTELY CONTROLLING A SECURITY ALARM SYSTEM**

[75] Inventors: **Ken Roberts; Miles Conklin**, both of Battle Creek; **Doug Wolff**, Marshall, all of Mich.; **Mark Salander**, Barrington, R.I.

[73] Assignee: **Amway Corporation**, Ada, Mich.

[**] Term: **14 Years**

[21] Appl. No.: **408,098**

[22] Filed: **Sep. 15, 1989**

[52] U.S. Cl. **D13/168**

[58] Field of Search **D13/123, 164, 165; D10/106; D14/100, 218; 200/293, 296, 331; 358/194.1**

[56] **References Cited**

U.S. PATENT DOCUMENTS

D. 253,400	11/1979	Vander Wilt	D10/106
D. 272,993	3/1984	Chan	D13/168 X
D. 273,786	5/1984	Owerko	D10/106
D. 274,048	5/1984	Wong et al.	D10/106
D. 285,542	9/1986	Tanaka et al.	D13/168 X
D. 288,299	2/1987	Mark	D10/40
D. 292,404	10/1987	Wilson et al.	D14/107
D. 309,890	8/1990	Cheng	D13/168
D. 312,222	11/1990	Sawyer	D10/106
D. 313,398	1/1991	Gilchrist	D13/168

OTHER PUBLICATIONS

Woods remote control on p. 3 of 1986 Woods Catalog. Cable Electric remote control on p. 108 of *Hardware Age* Aug. 1986.

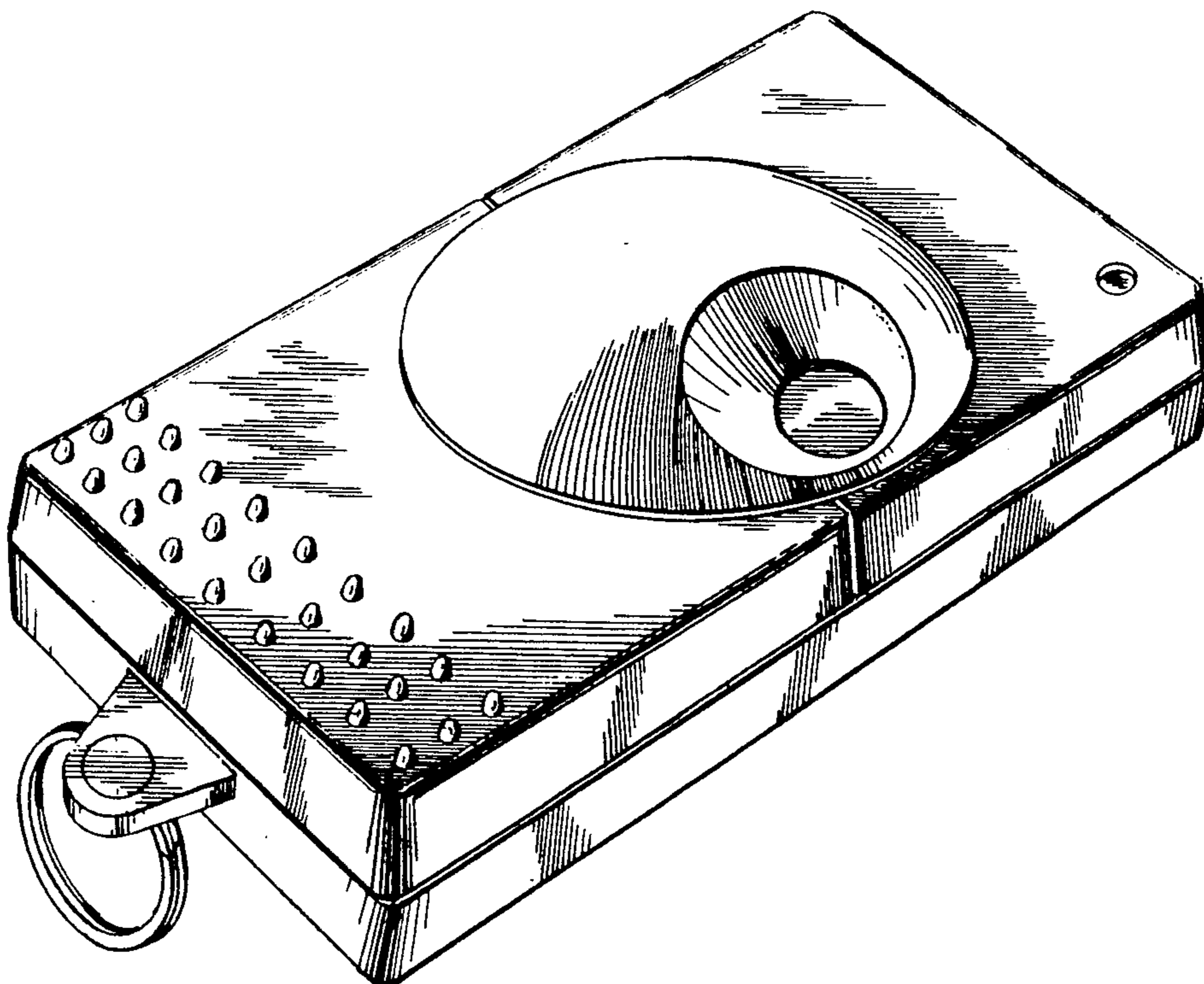
Primary Examiner—Susan J. Lucas
Assistant Examiner—J. Sincavage
Attorney, Agent, or Firm—Michael A. Mohr

[57] **CLAIM**

The ornamental design for a hand-held transmitter for remotely controlling a security alarm system, as shown and described in the drawings.

DESCRIPTION

FIG. 1 is a front and upper left perspective view of a hand-held transmitter for remotely controlling a security alarm system showing our new design; FIG. 2 is a top plan view thereof with the actuator rotated to the arming position; FIG. 3 is a top plan view thereof with the actuator rotated to the disarming position; FIG. 4 is a top plan view thereof with the actuator rotated to the off position; FIG. 5 is a right side elevational view thereof with the actuator rotated to the off position, the left side elevational view thereof being a mirror image except for the actuator; FIG. 6 is a bottom plan view thereof; FIG. 7 is a front elevational view thereof with the actuator rotated to the off position; and, FIG. 8 is a rear elevational view thereof with the actuator rotated to the off position.



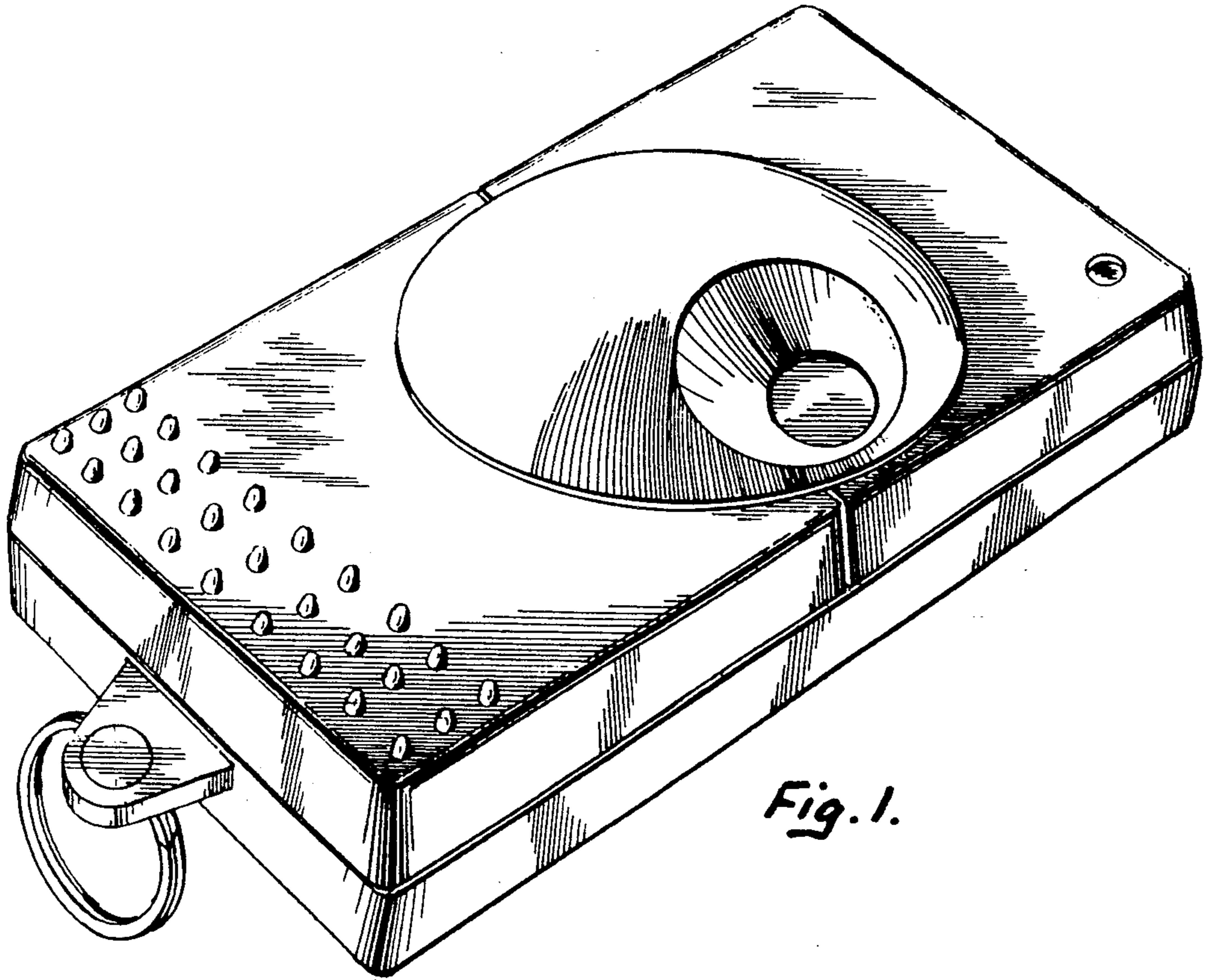


Fig. 1.

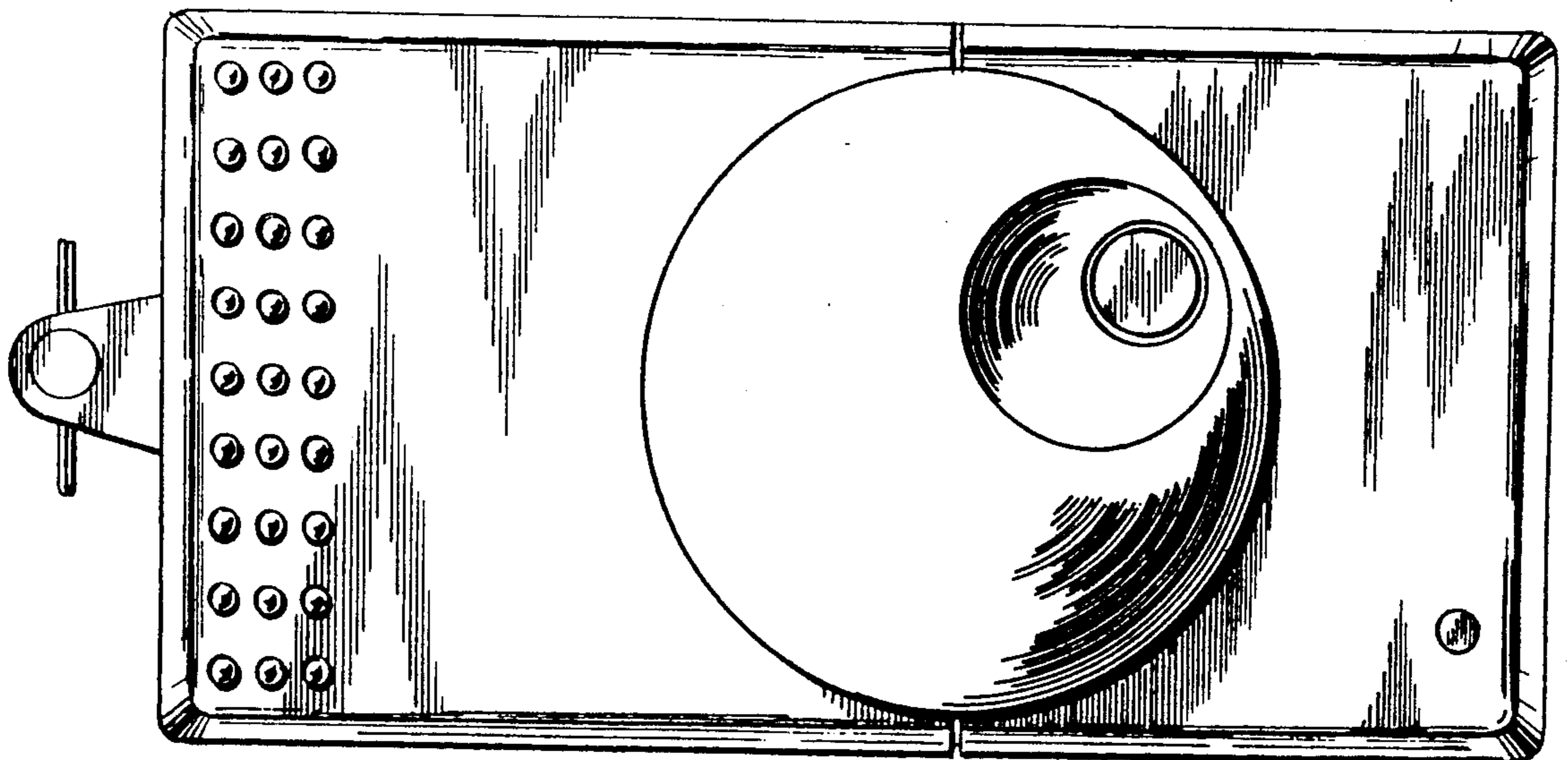


Fig. 2.

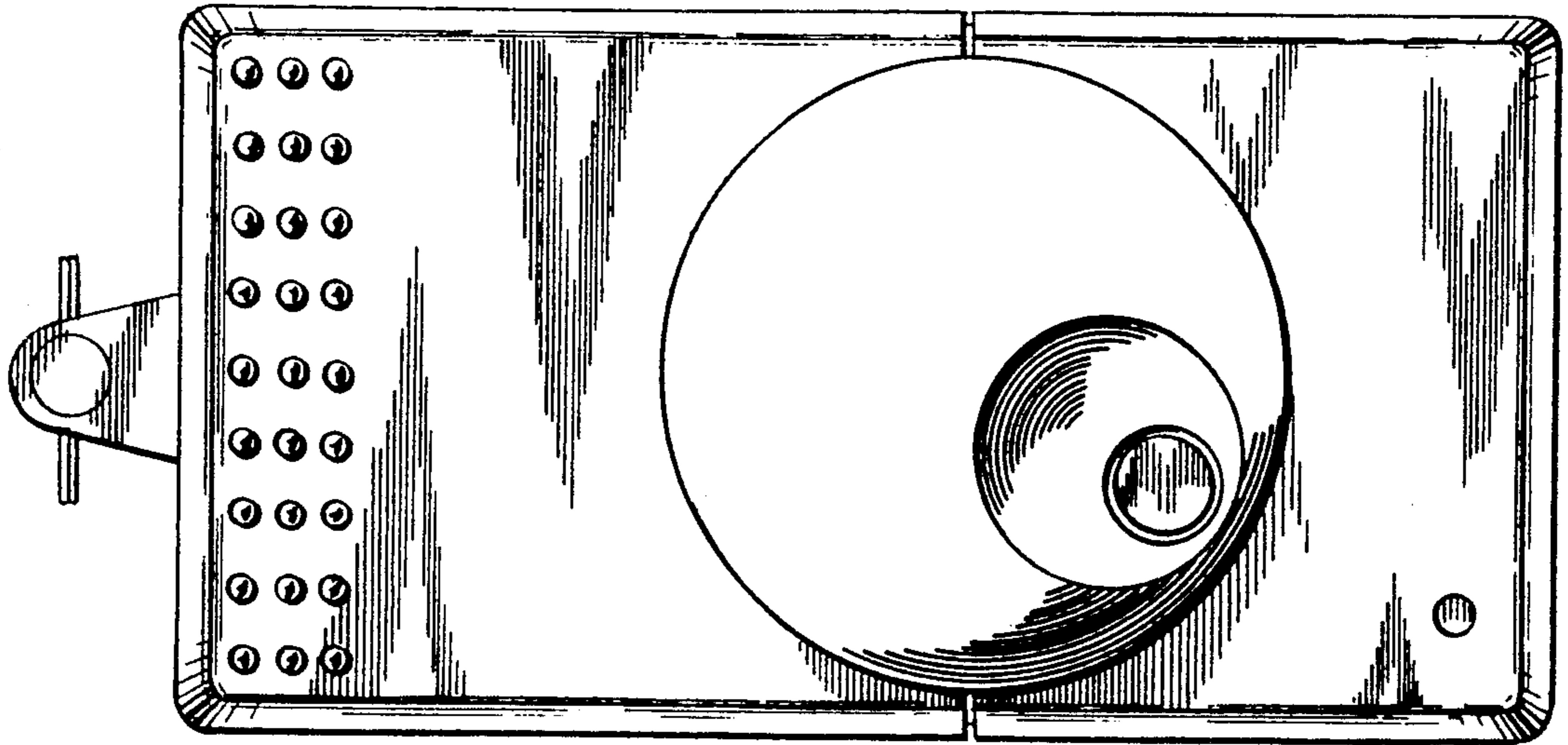


Fig. 3.

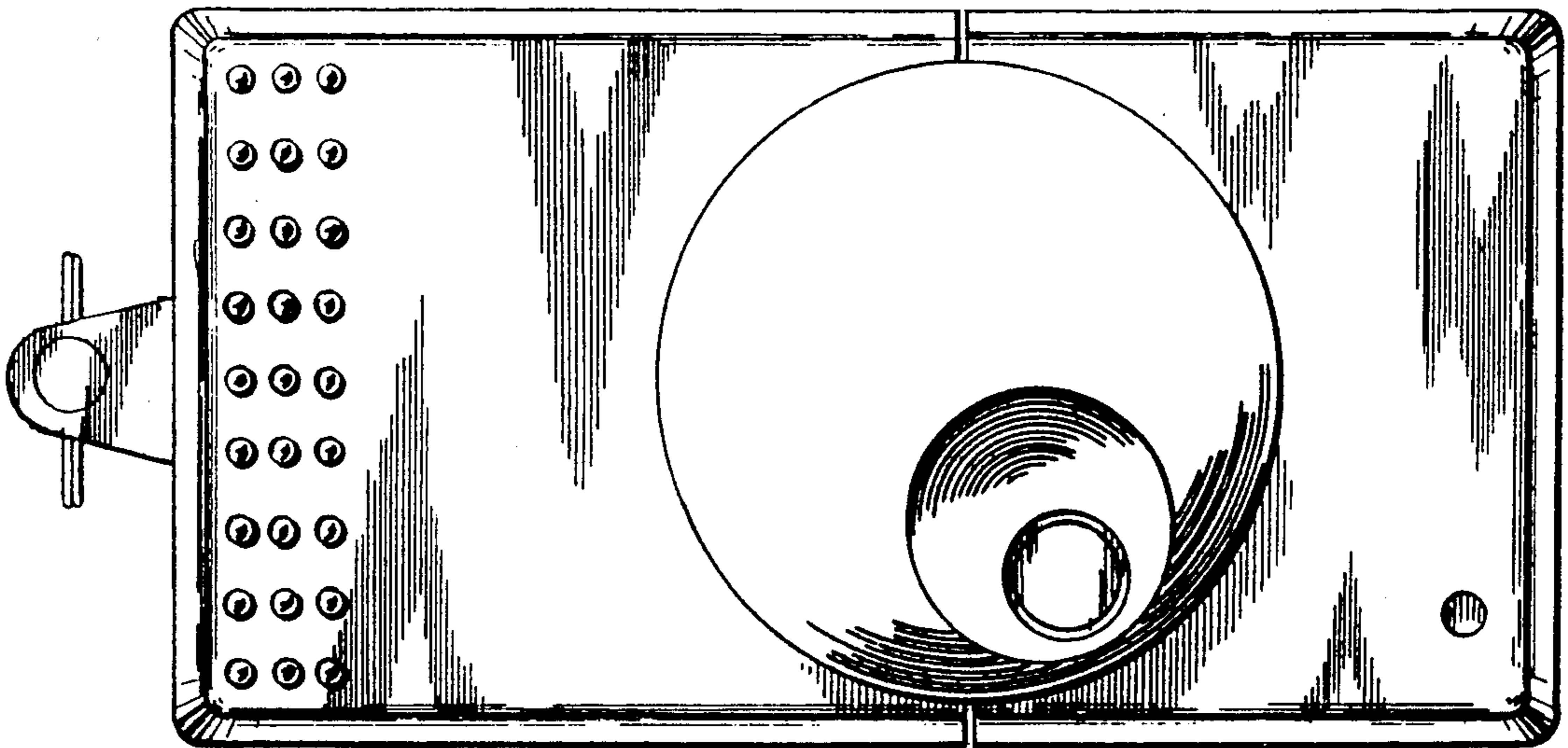


Fig. 4.

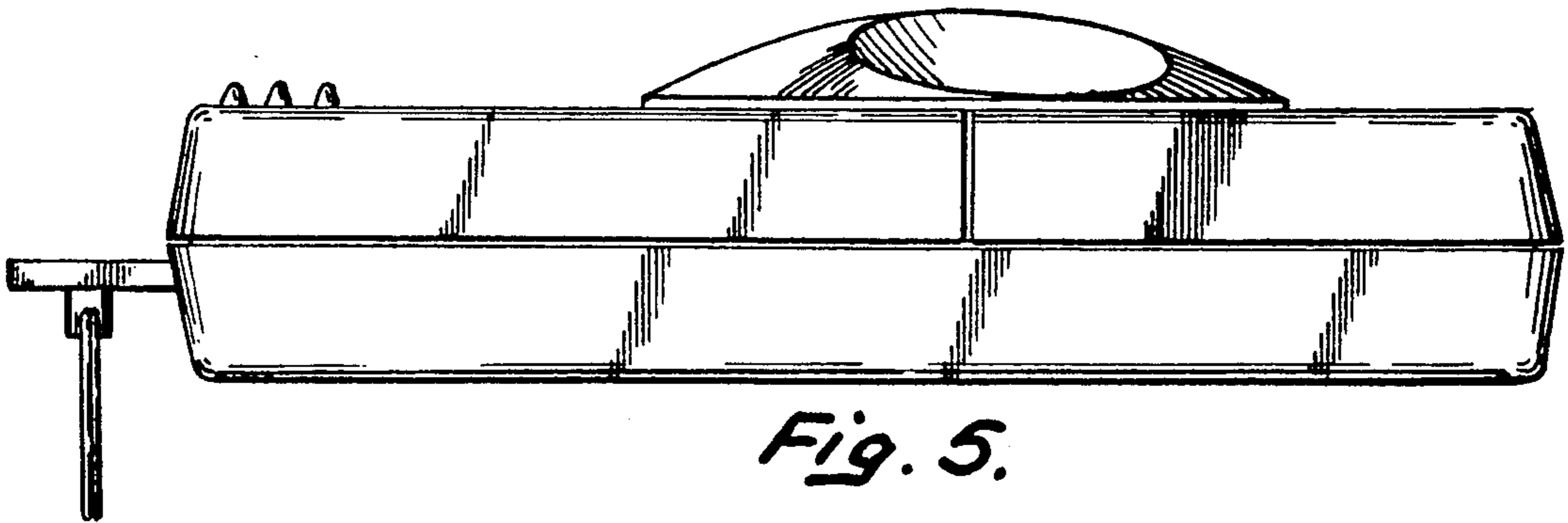


Fig. 5.

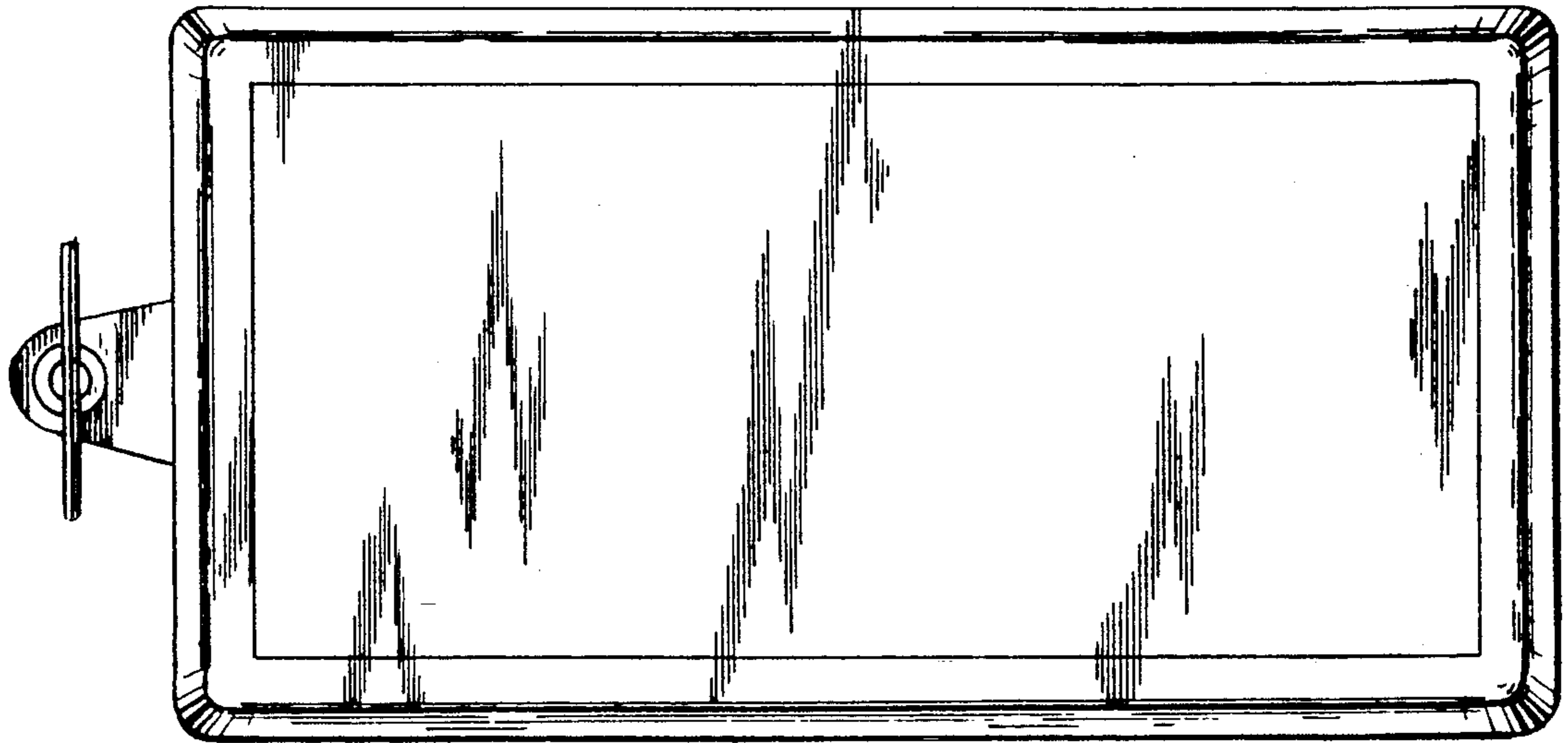


Fig. 6.

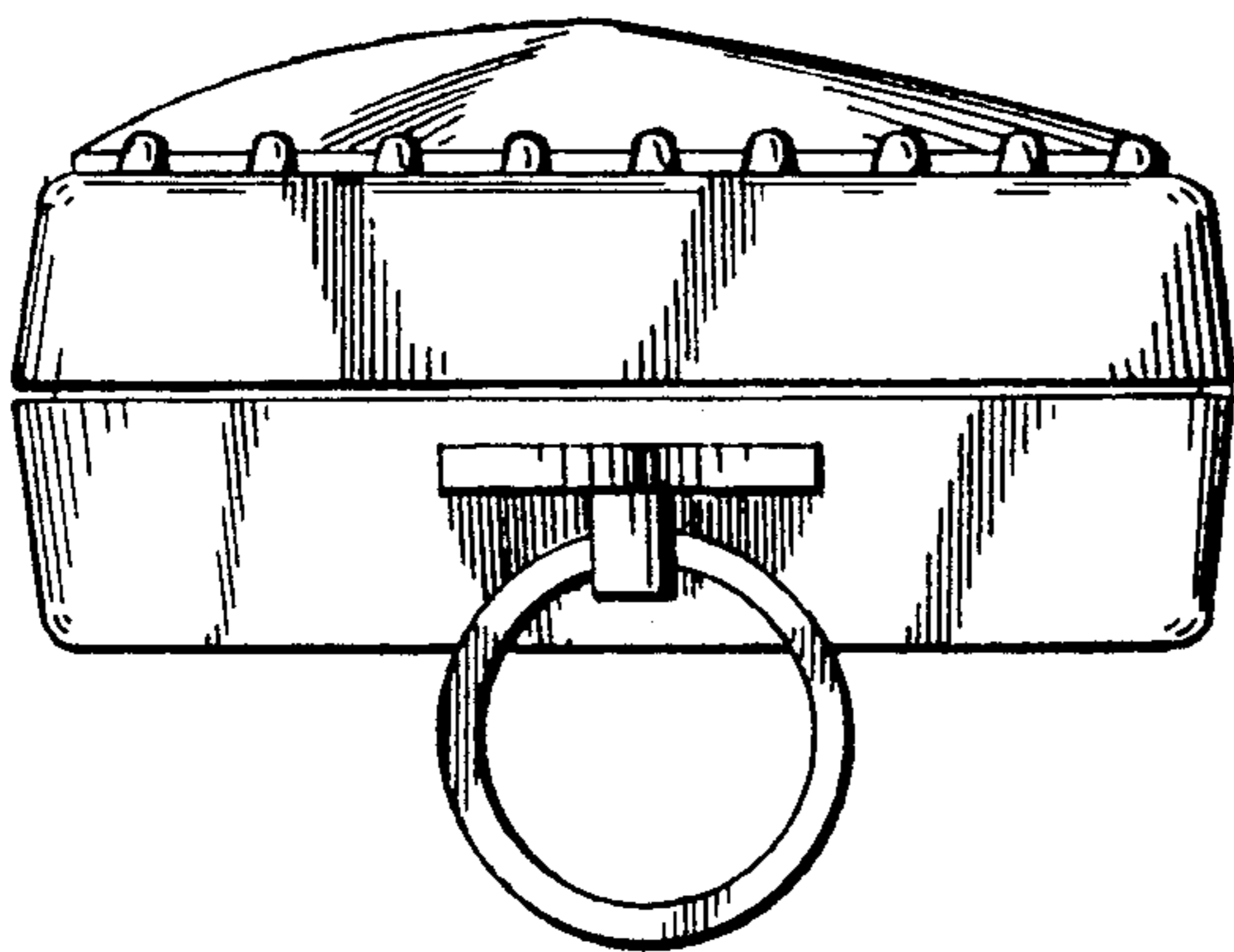


Fig. 7.

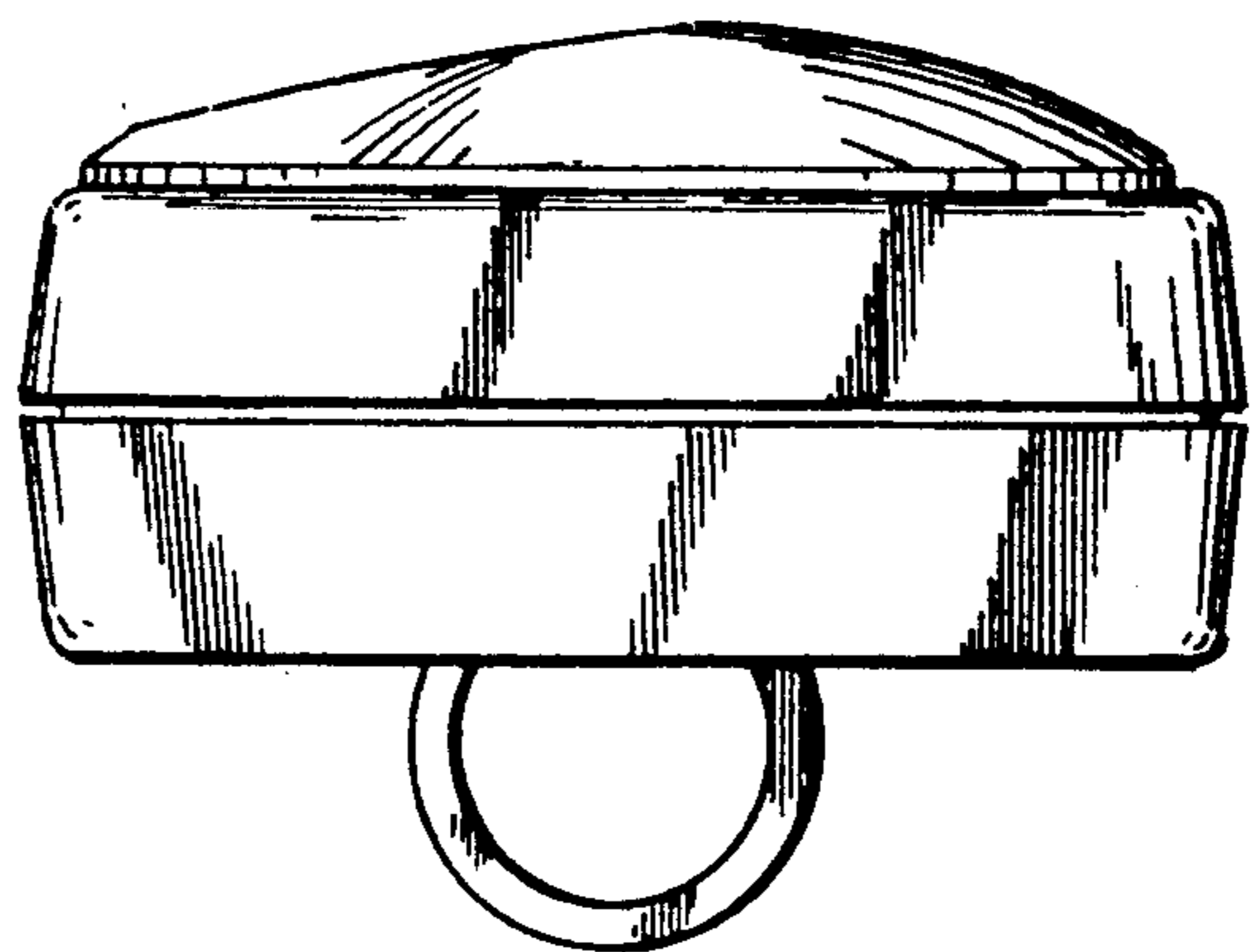


Fig. 8.