



US00D327051S

United States Patent [19]

[11] Patent Number: **Des. 327,051**

Schwartz

[45] Date of Patent: **** Jun. 16, 1992**

[54] **GEARBOX COVER FOR AN ELECTRIC GEARBOX MOTOR**

[75] Inventor: **Glenn R. Schwartz, Des Plaines, Ill.**

[73] Assignee: **Molon Motor Coil Corporation, Rolling Meadows, Ill.**

[**] Term: **14 Years**

[21] Appl. No.: **531,539**

[22] Filed: **Jun. 1, 1990**

[52] U.S. Cl. **D13/118**

[58] Field of Search **D13/118, 112; 318/9, 318/12, 15; 310/42, 85, 89, 83**

[56] **References Cited**

U.S. PATENT DOCUMENTS

D. 169,487	5/1953	Horvath et al.	D13/112
D. 169,488	5/1953	Horvath et al.	D13/112
D. 200,577	3/1965	Crouse et al.	D13/112
D. 201,362	6/1965	Crouse et al.	D13/112
2,685,043	7/1954	Durant	310/83
4,625,134	11/1986	Weaver	310/83

FOREIGN PATENT DOCUMENTS

0150631	7/1986	Japan	310/83
---------	--------	-------------	--------

OTHER PUBLICATIONS

Fractional horsepower motor on cover of Merkle-Korff Bulletin 2000A.

Bison gear motor on p. 358D of *Design News* Oct. 3, 1988.

Primary Examiner—Susan J. Lucas
Assistant Examiner—J. Sincavage
Attorney, Agent, or Firm—Ward, Lazarus & Grow

[57] **CLAIM**

The ornamental design for a gearbox cover for an electric gearbox motor, as shown and described.

DESCRIPTION

FIG. 1 is a front and lower right perspective view of a gearbox cover for an electric gearbox motor showing my new design;

FIG. 2 is a rear elevational view thereof shown on an enlarged scale;

FIG. 3 is a left side elevational view thereof shown on an enlarged scale;

FIG. 4 is a right side elevational view thereof shown on an enlarged scale;

FIG. 5 is a top plan view thereof shown on a reduced scale;

FIG. 6 is a bottom plan view thereof shown on a reduced scale; and,

FIG. 7 is an inverted front and lower right perspective view thereof. The broken line showing of the electric motor circuit board and microswitch is included for the purpose of illustrating environmental elements only and forms no part of the claimed design.

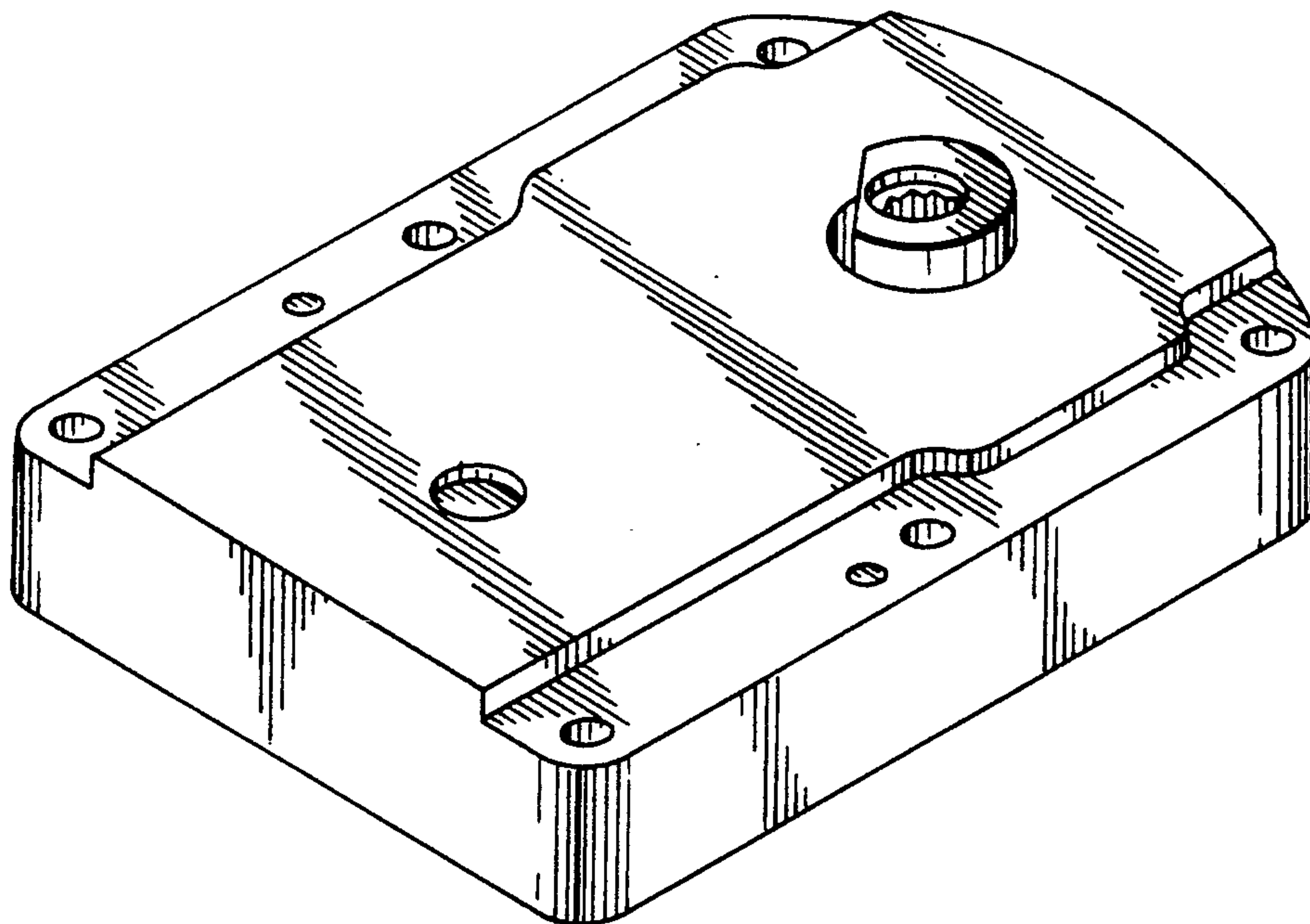


Fig. 1

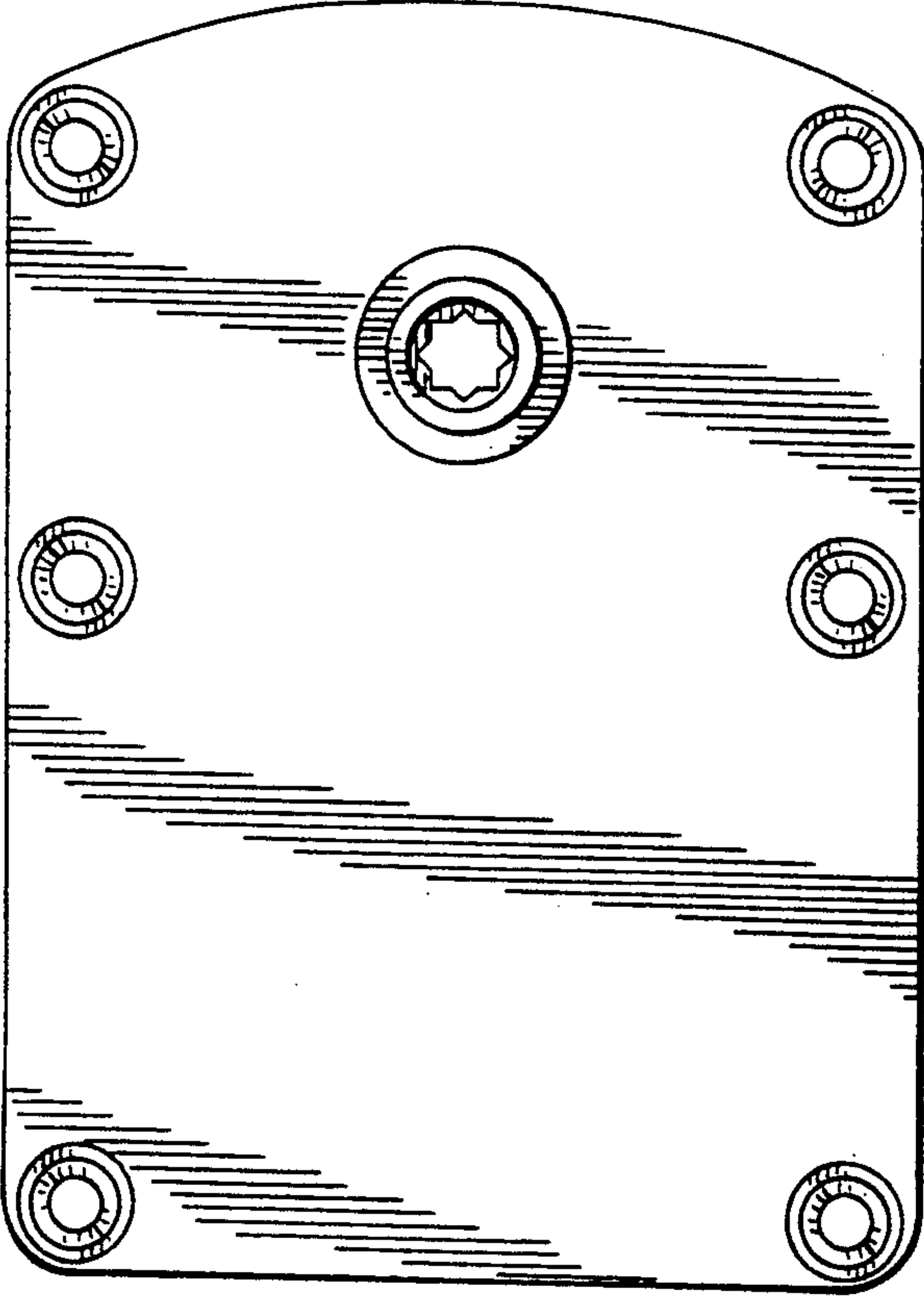
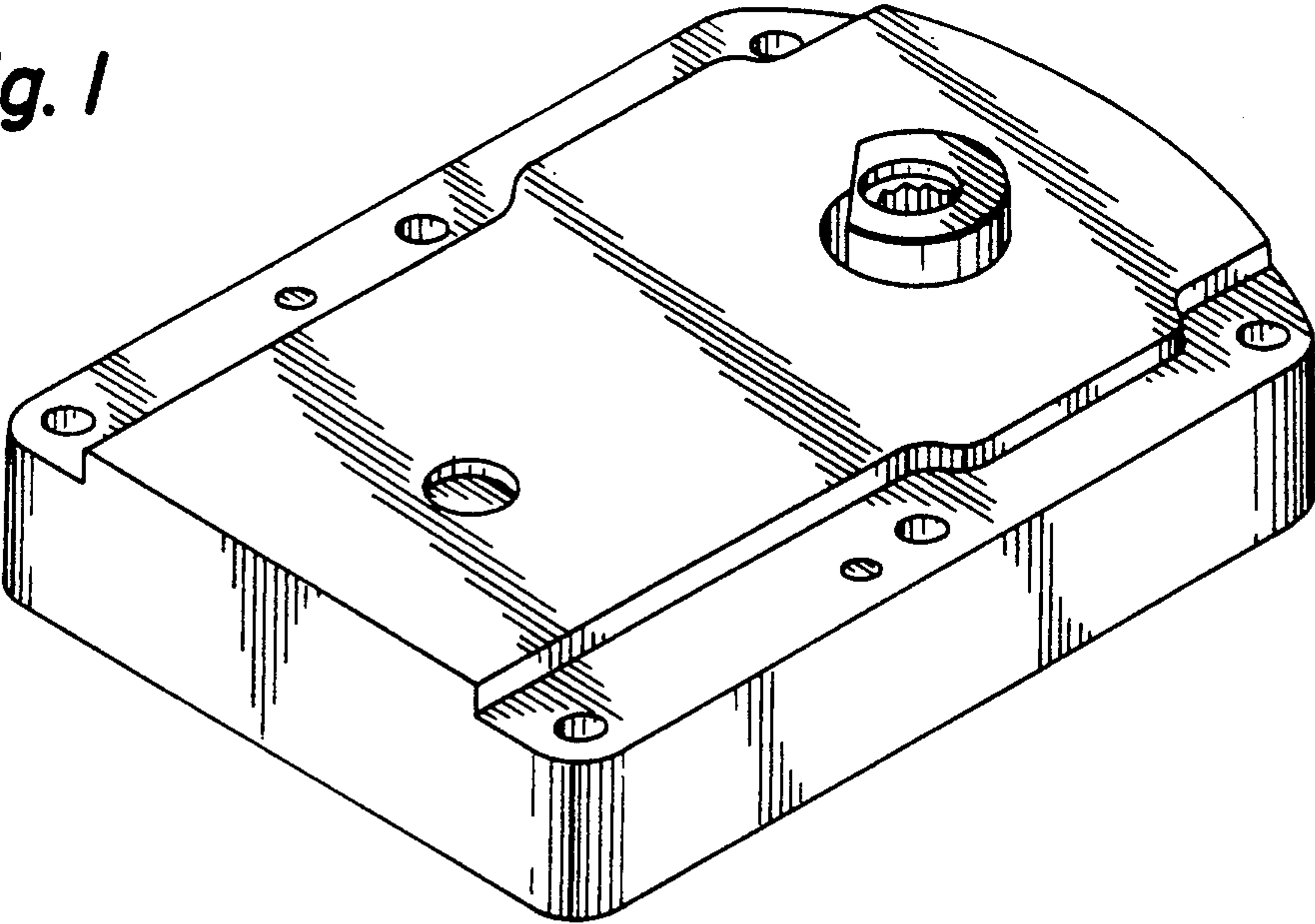


Fig. 2

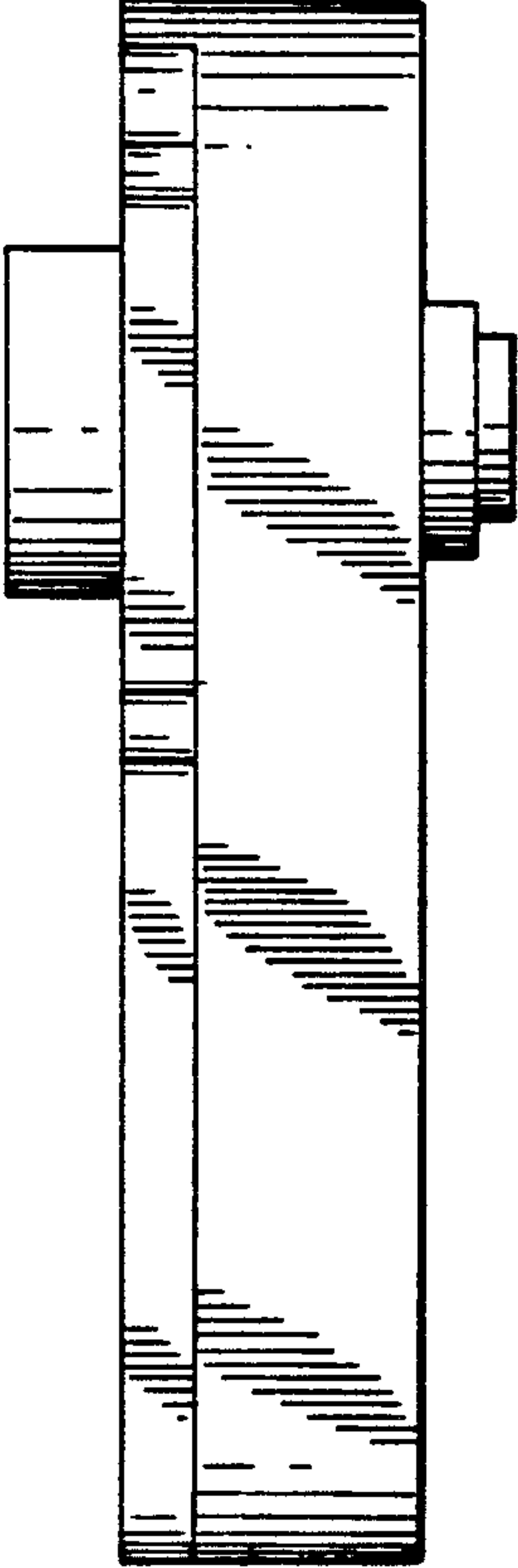


Fig. 3

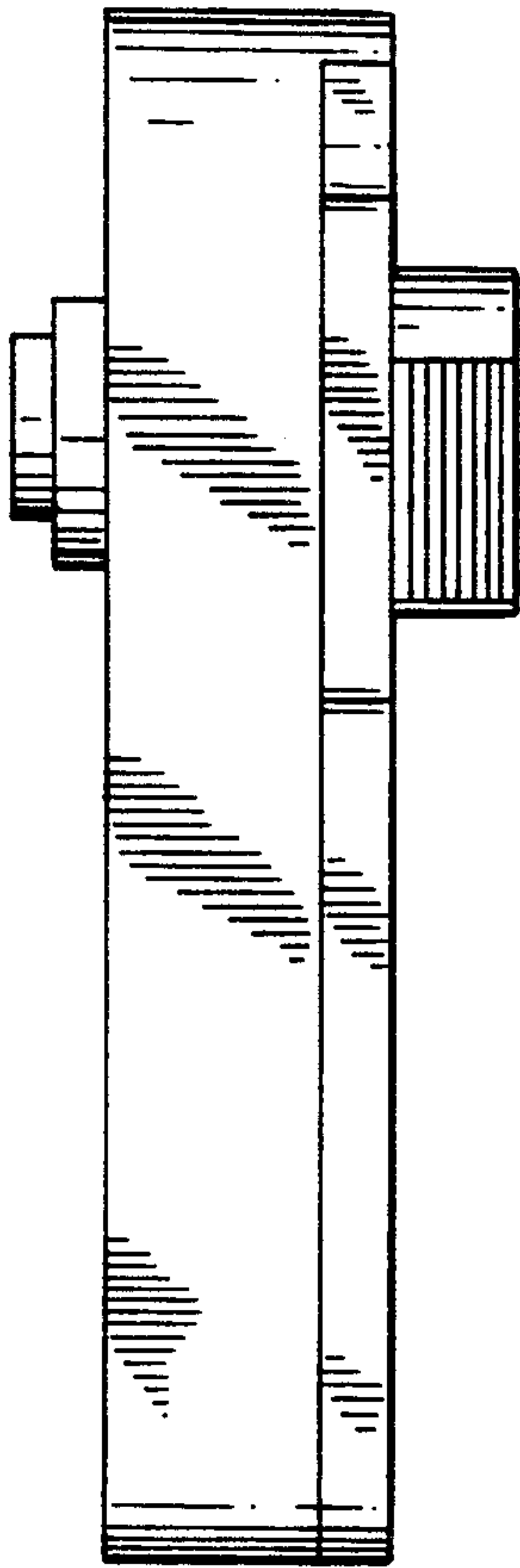


Fig. 4

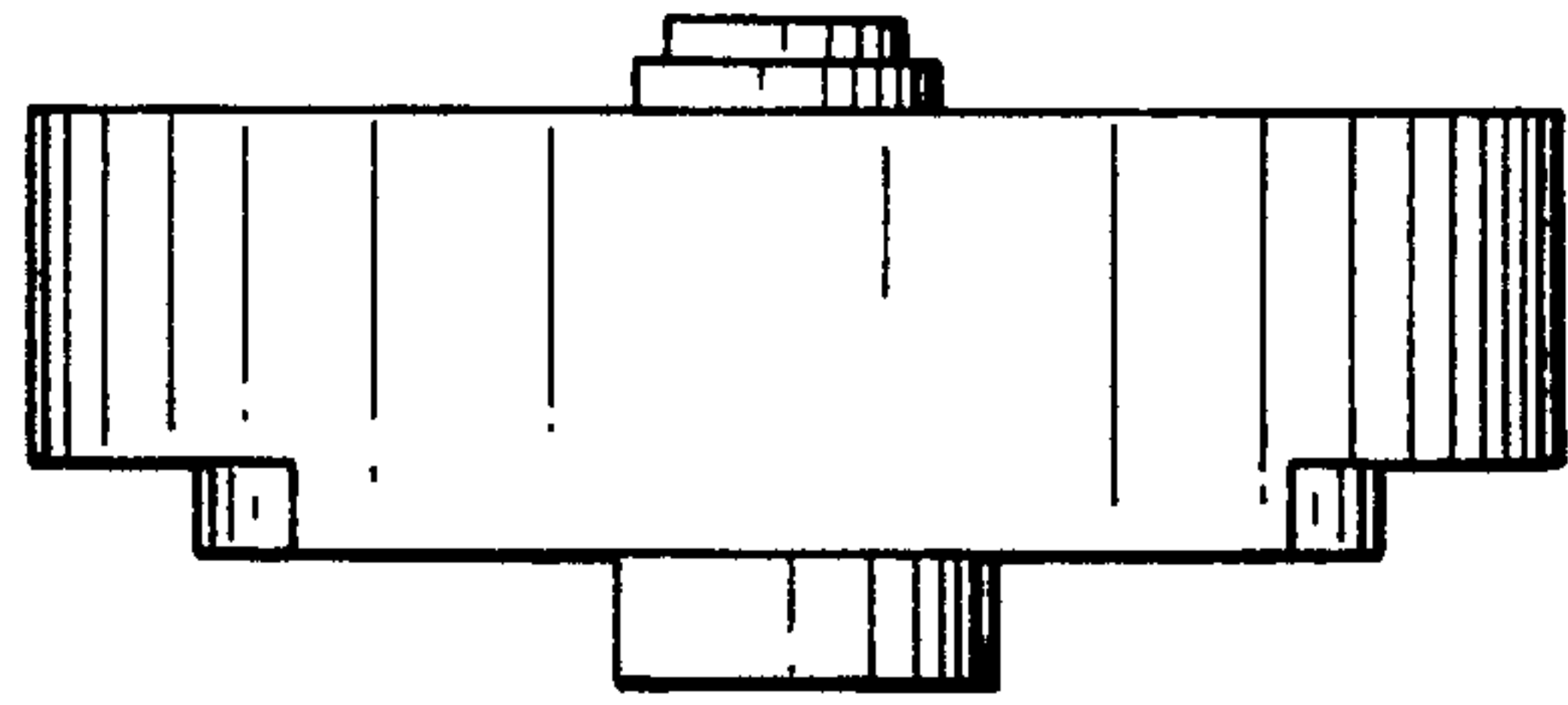


Fig. 5

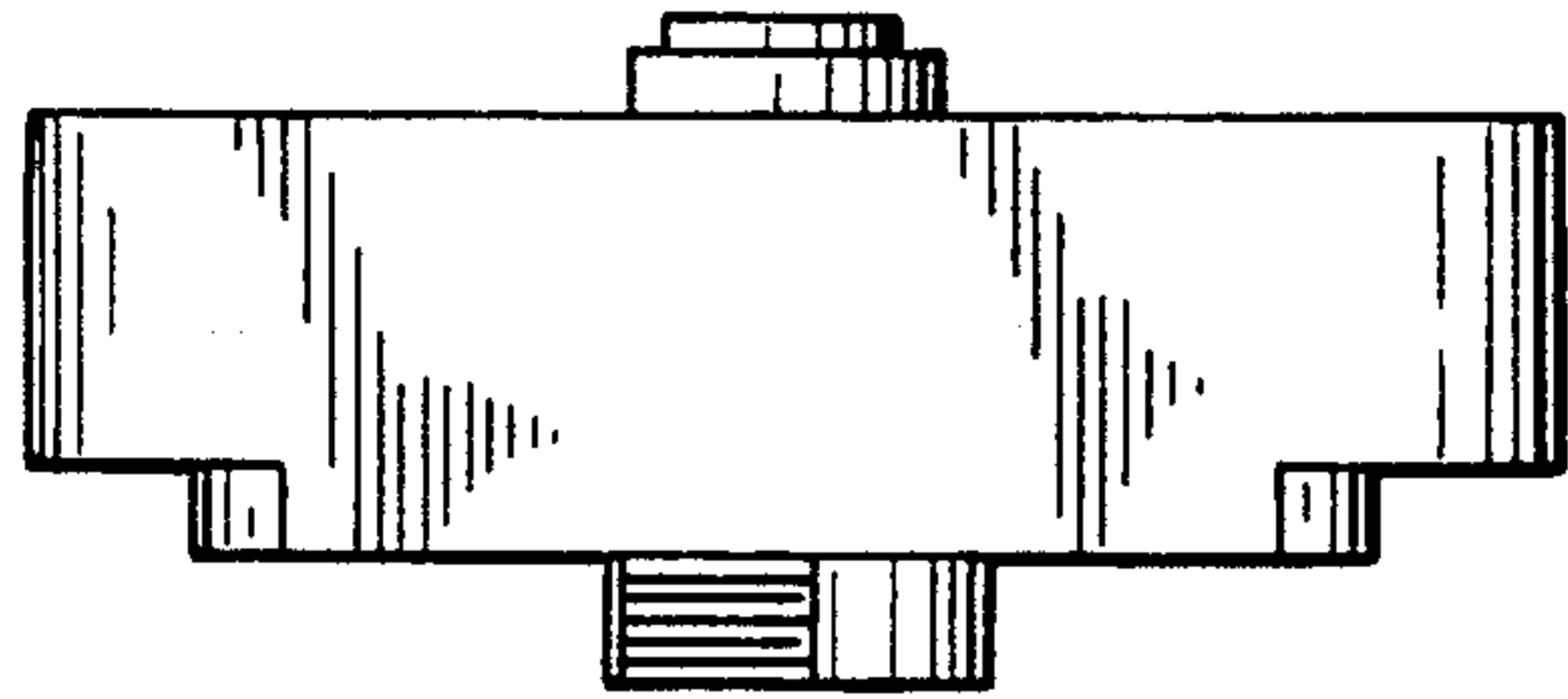


Fig. 6

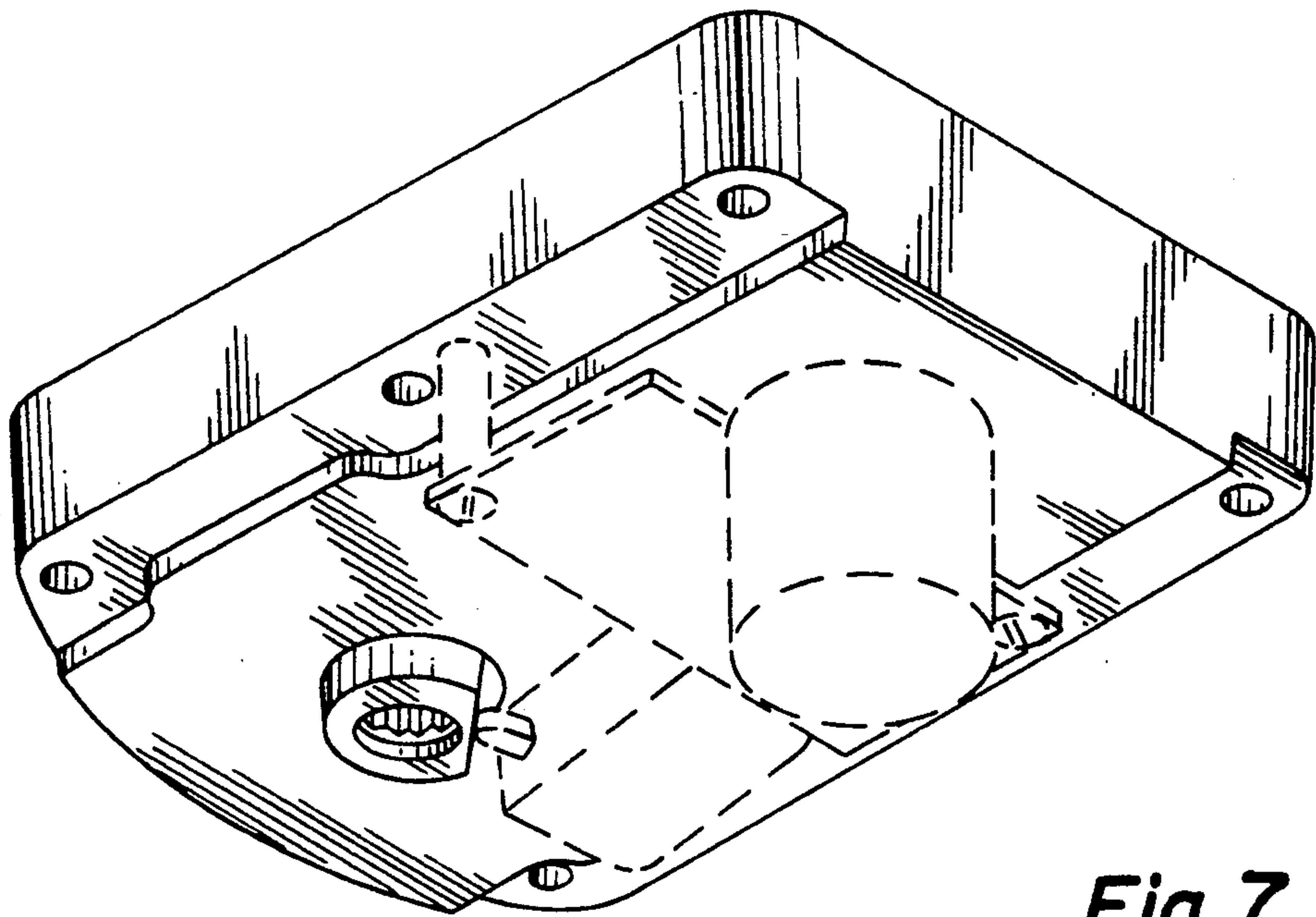


Fig. 7