



US00D327043S

# United States Patent [19]

[11] Patent Number: **Des. 327,043**

Ott et al.

[45] Date of Patent: **\*\* Jun. 16, 1992**

[54] **VEHICLE SKI RACK**

4,078,708 3/1978 Mayer ..... 224/273  
4,189,074 2/1980 Davies ..... 211/70.5

[76] Inventors: **Stanley G. Ott**, R.R. 1, Box 135R,  
Marble Rock, Iowa 50653; **Roger E. Jacobson**, 10890 Fieldcrest Rd.,  
Eden Prairie, Minn. 55344

*Primary Examiner*—James M. Gandy  
*Attorney, Agent, or Firm*—G. Brian Pingel

[\*\*] Term: **14 Years**

[57] **CLAIM**

The ornamental design for a vehicle ski rack, as shown.

[21] Appl. No.: **468,784**

**DESCRIPTION**

[22] Filed: **Jan. 22, 1990**

FIG. 1 is a front-side perspective view of a vehicle ski rack showing our new design;

[52] U.S. Cl. .... **D12/157**

FIG. 2 is a side elevation view thereof;

[58] Field of Search ..... **D12/157; 224/273, 42.03 A, 224/42.03 R, 42.32, 42.42; 211/70.5**

FIG. 3 is a top plan view thereof;

FIG. 4 is a bottom plan view thereof;

FIG. 5 is a front elevation view thereof;

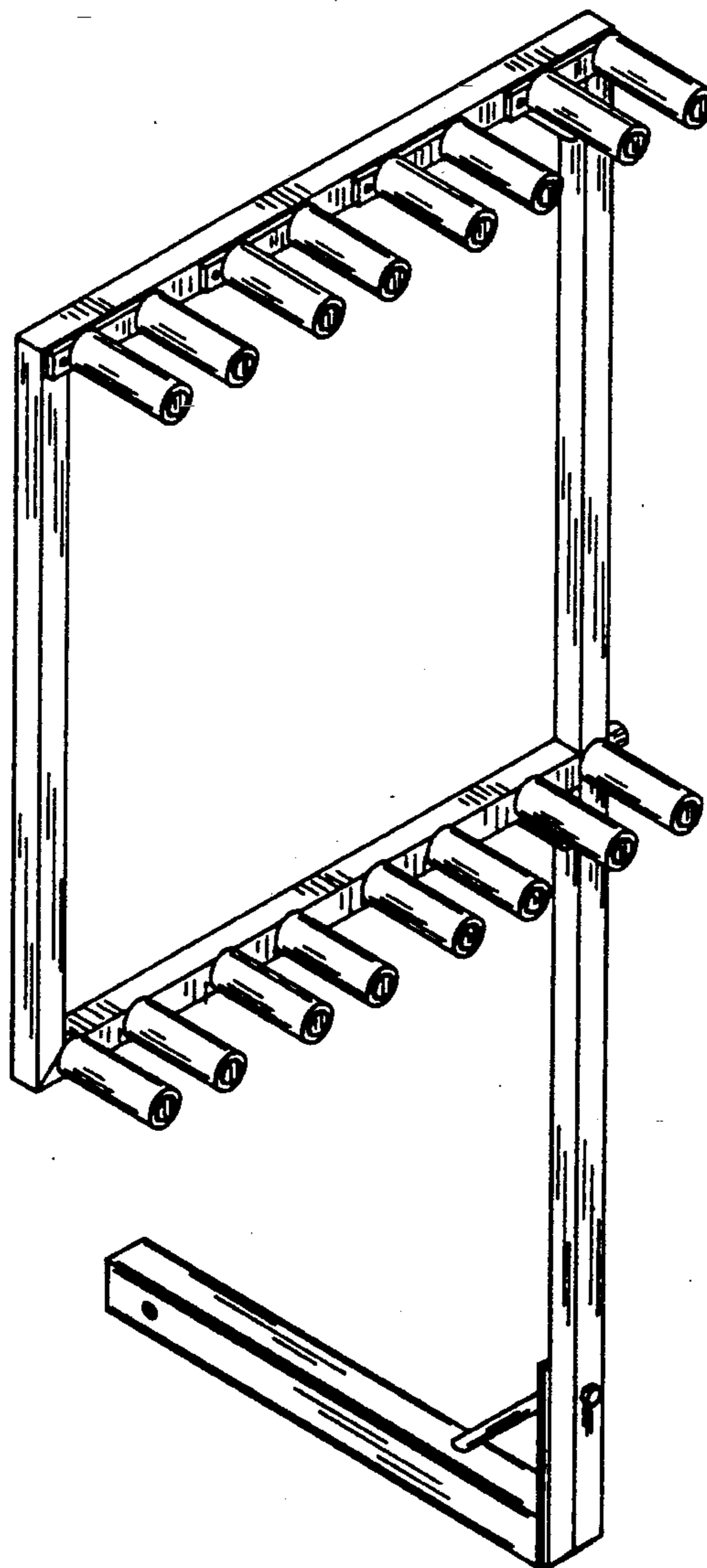
FIG. 6 is a side elevation view thereof opposite to that shown in FIG. 2; and,

FIG. 7 is a rear elevation view thereof.

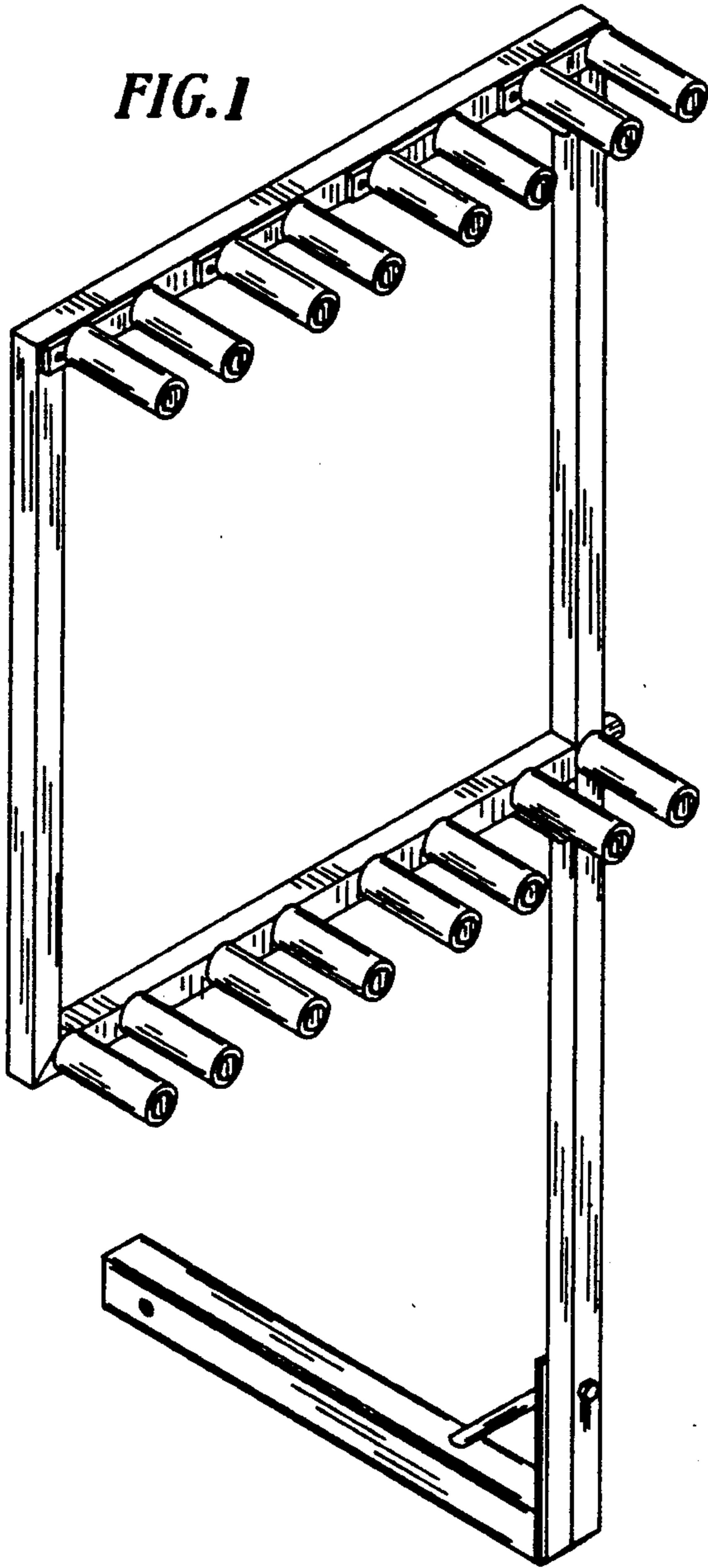
[56] **References Cited**

**U.S. PATENT DOCUMENTS**

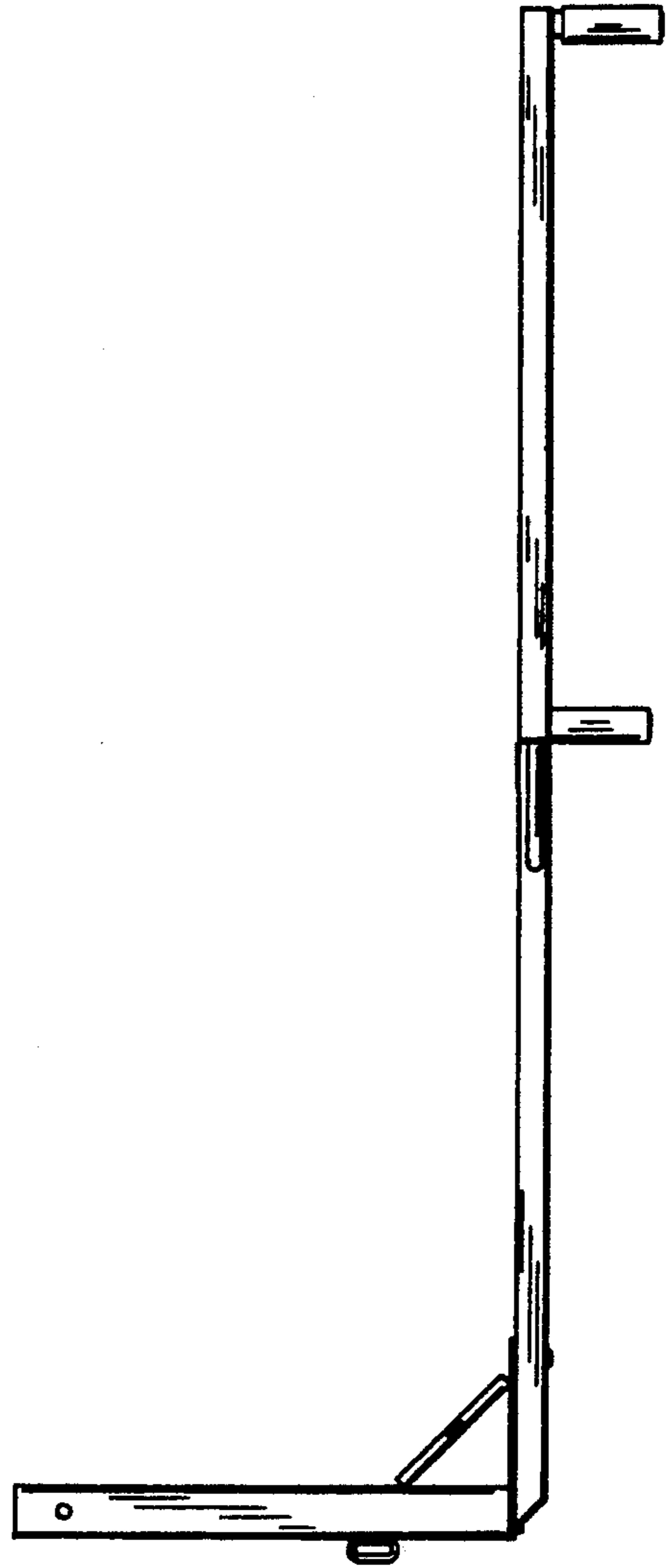
3,972,457 8/1976 Kesler ..... 224/42.42 R



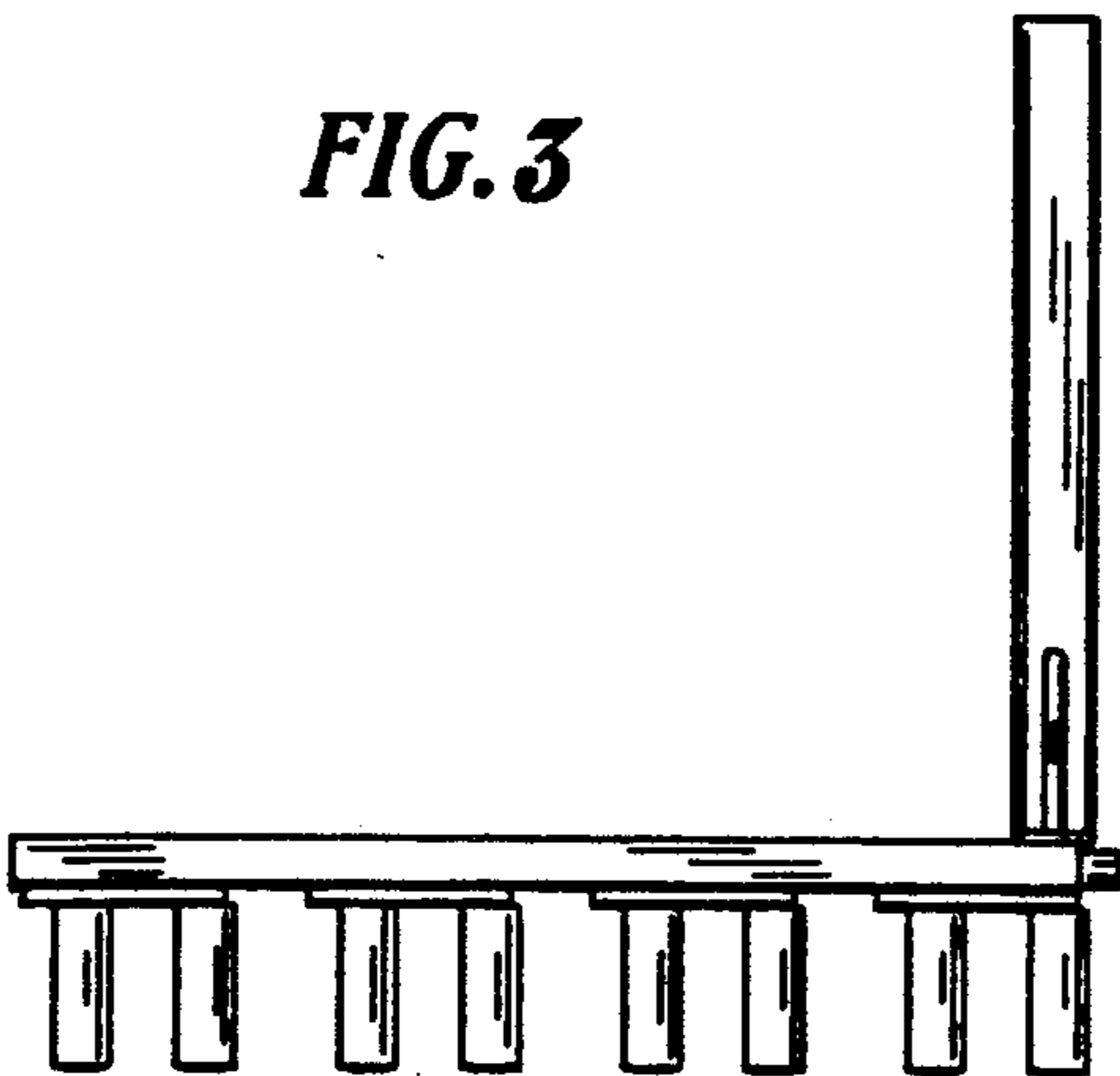
**FIG. 1**



**FIG. 2**



**FIG. 3**



**FIG. 4**

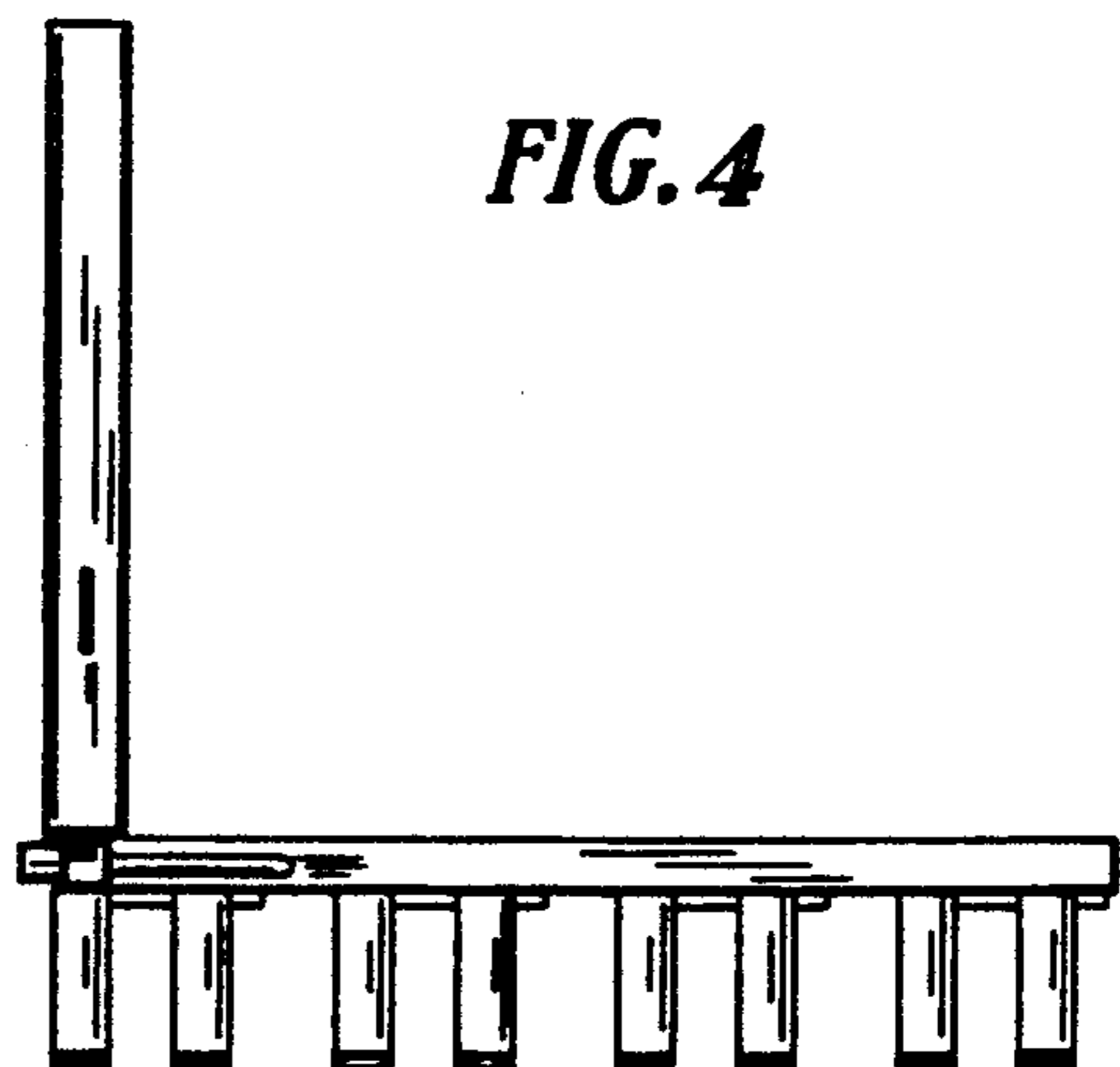


FIG. 7

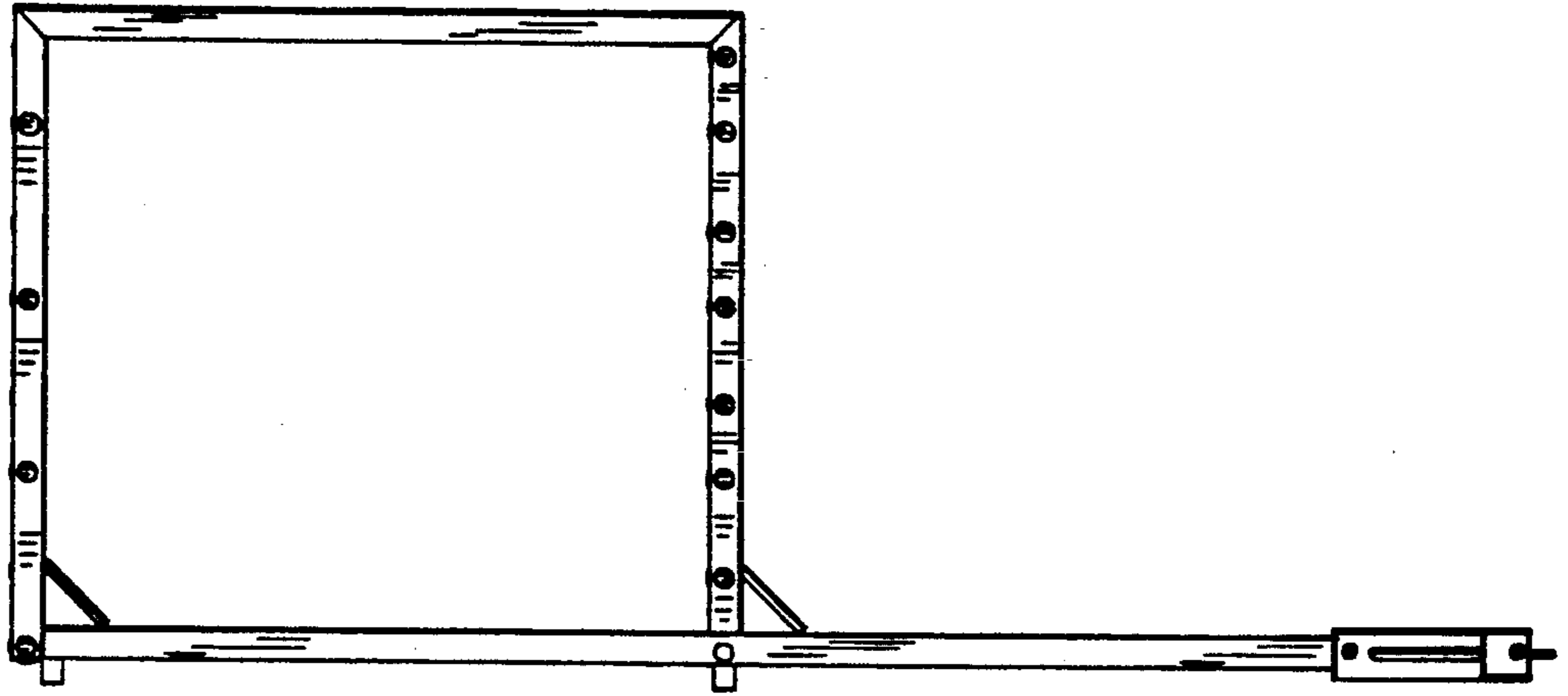


FIG. 6

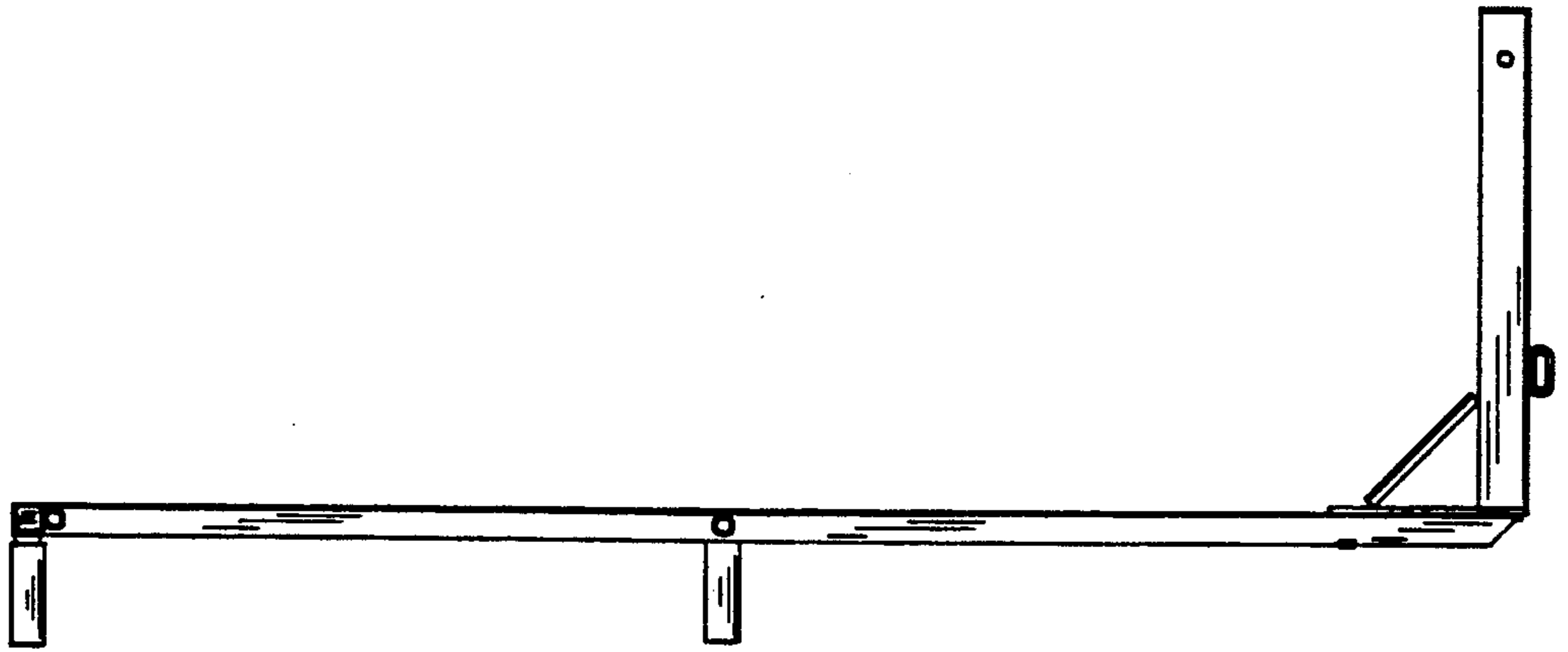


FIG. 5

