



US00D327041S

United States Patent [19]

[11] Patent Number: **Des. 327,041**

Kühl et al.

[45] Date of Patent: **** Jun. 16, 1992**

[54] **MOBILE CHAIR**

4,707,027 11/1987 Horvath et al. 297/284
4,728,119 3/1988 Sigafos 280/657

[75] Inventors: **Poul Kühl, Brabrand; Flemming Moeller; Erik Ernst**, both of Horsens, all of Denmark

FOREIGN PATENT DOCUMENTS

251643 1/1988 European Pat. Off. 297/217

[73] Assignee: **R82**, Gedved, Denmark

Primary Examiner—Kay H. Chin
Attorney, Agent, or Firm—Watson, Cole, Grindle & Watson

[**] Term: **14 Years**

[21] Appl. No.: **611,369**

[57] **CLAIM**

The ornamental design for a mobile chair, as shown and described.

[22] Filed: **Nov. 9, 1990**

[52] U.S. Cl. **D12/128; D6/356; D12/131; 280/650**

DESCRIPTION

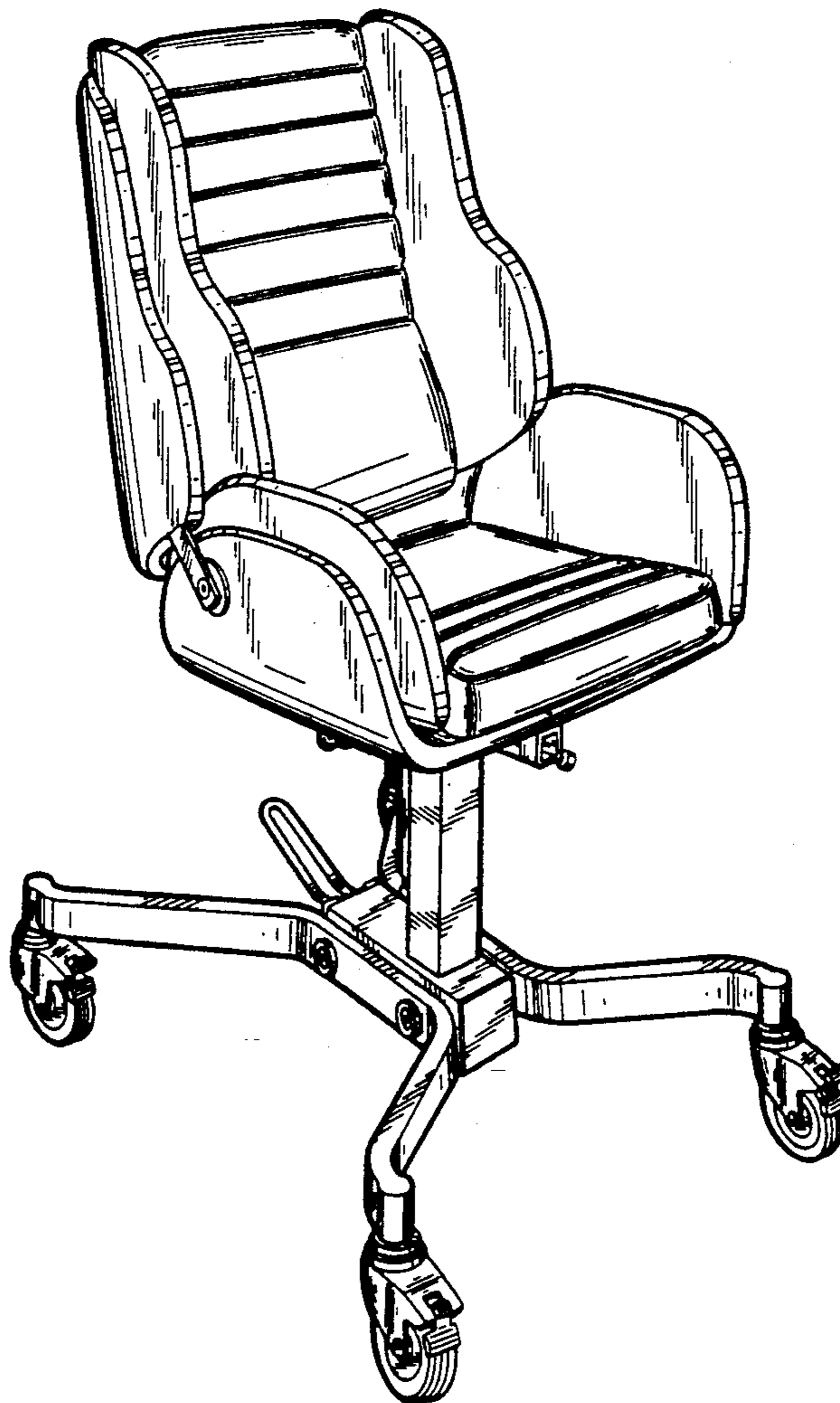
[58] Field of Search **D12/128, 131; D6/368, D6/356, 333; 297/4, 5, 217, 352, DIG. 4, 281, 284; 280/47.38, 47.4, 650, 647, 657**

FIG. 1 is a top, front and right side perspective view of a mobile chair showing our new design; FIG. 2 is a rear perspective view thereof; FIG. 3 is a top, and front perspective view of the support frame of the mobile chair; FIG. 4 is a top, front and right side perspective view of the seat of the mobile chair; and, FIG. 5 is a bottom and left side perspective view of the seat of the mobile chair.

[56] **References Cited**

U.S. PATENT DOCUMENTS

D. 311,509 10/1990 Failor et al. D12/131
4,555,121 11/1985 Lockard et al. 280/650
4,707,026 11/1987 Johansson 297/281



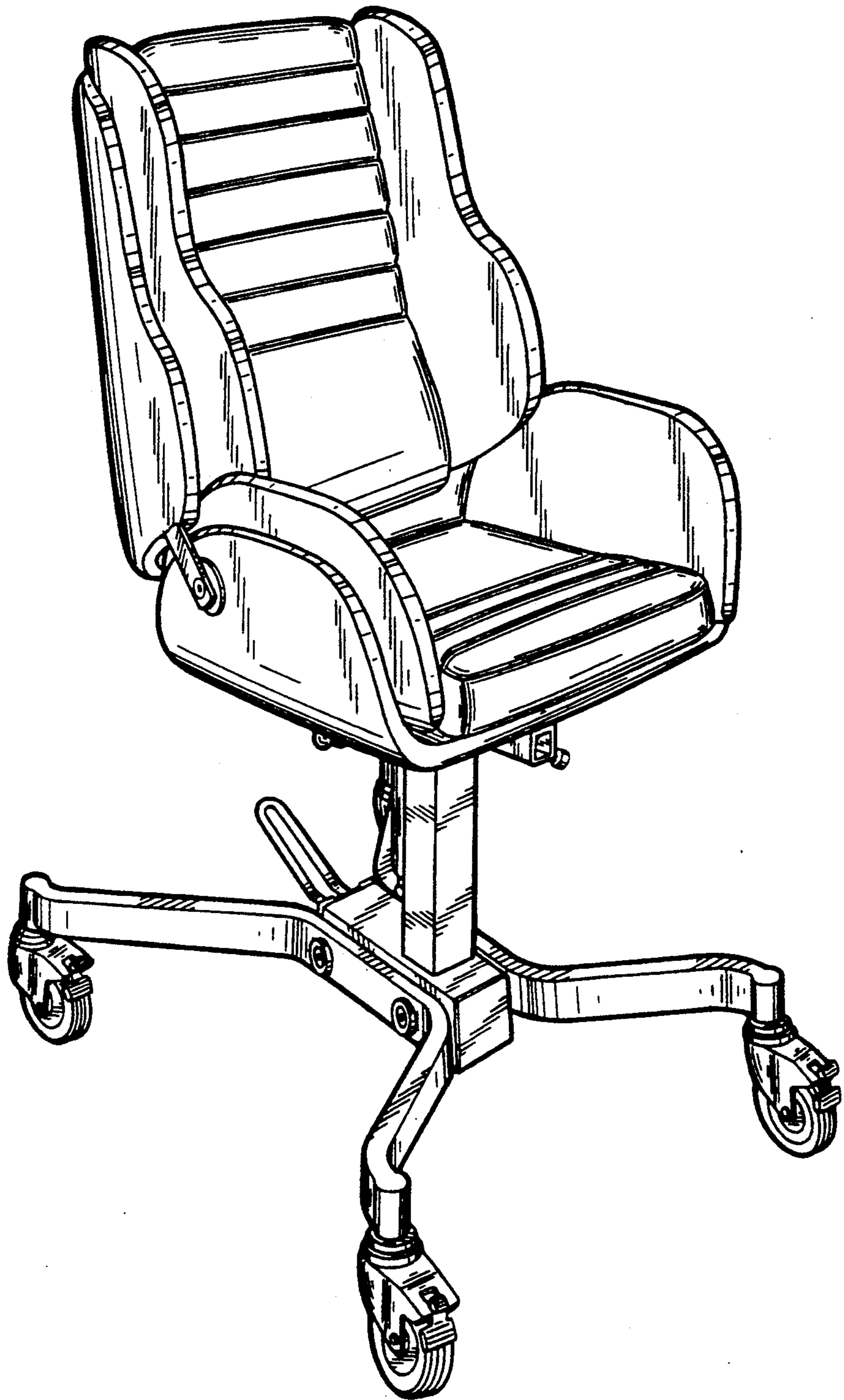


FIG. 1

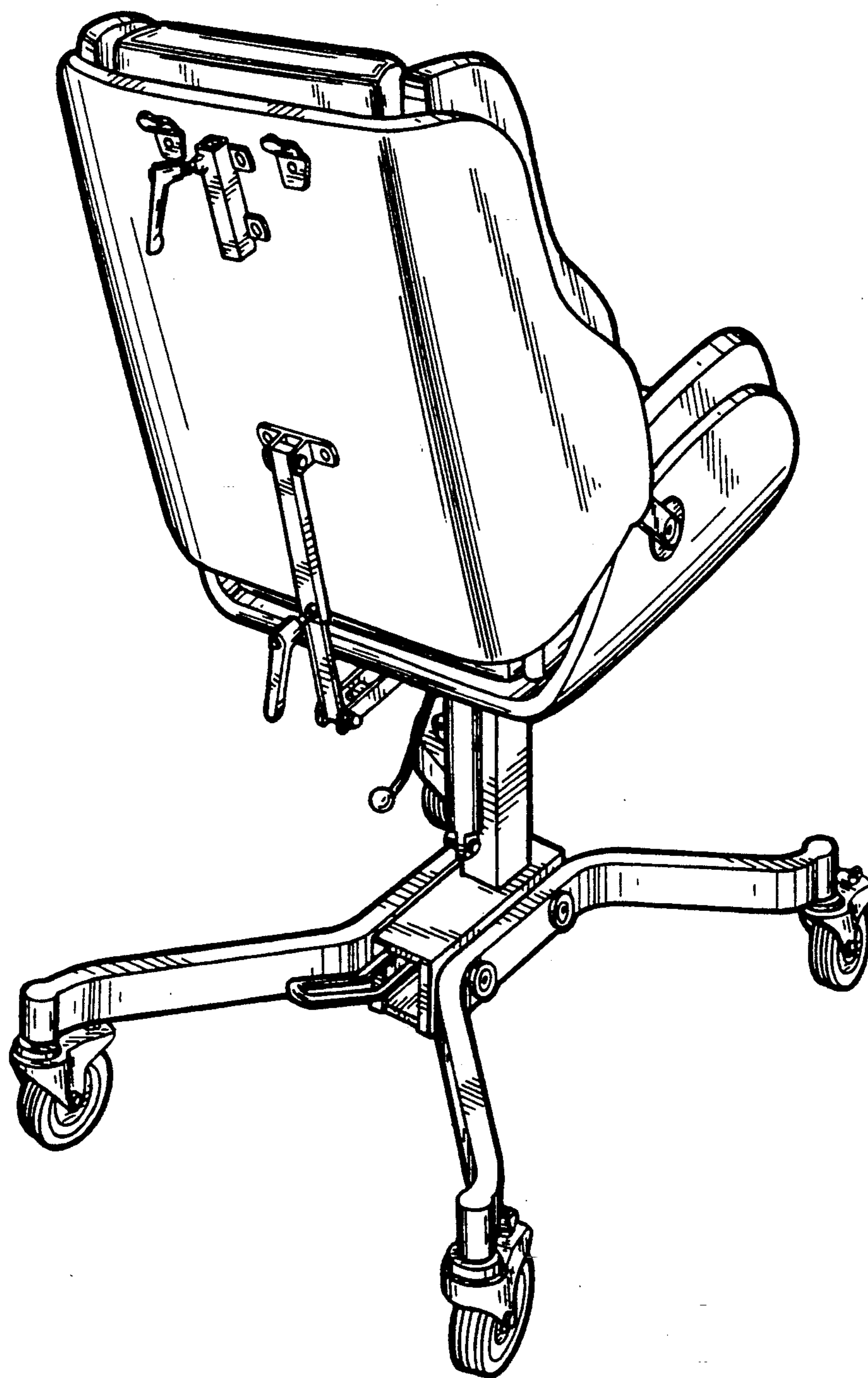


FIG.2

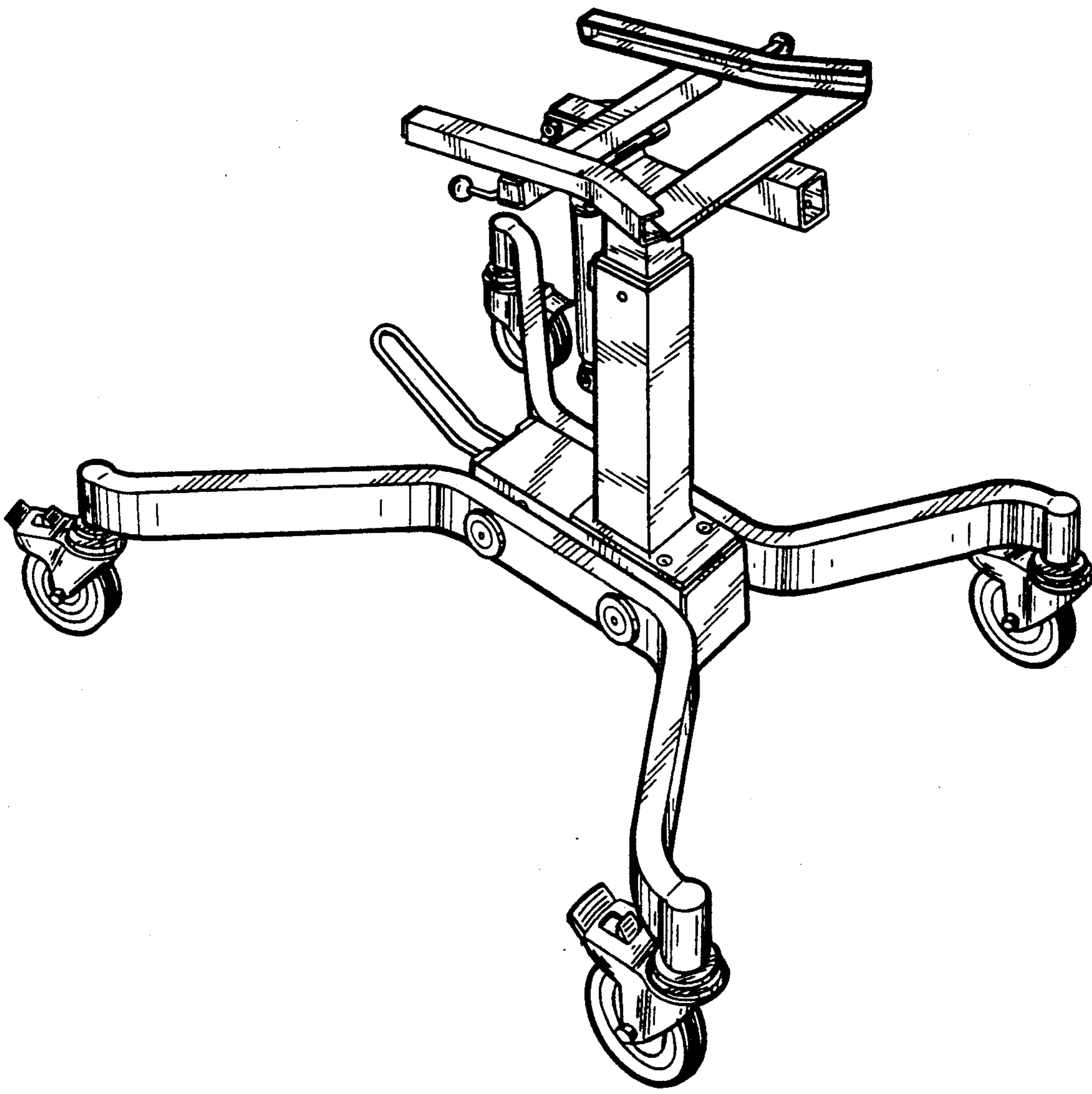


FIG.3

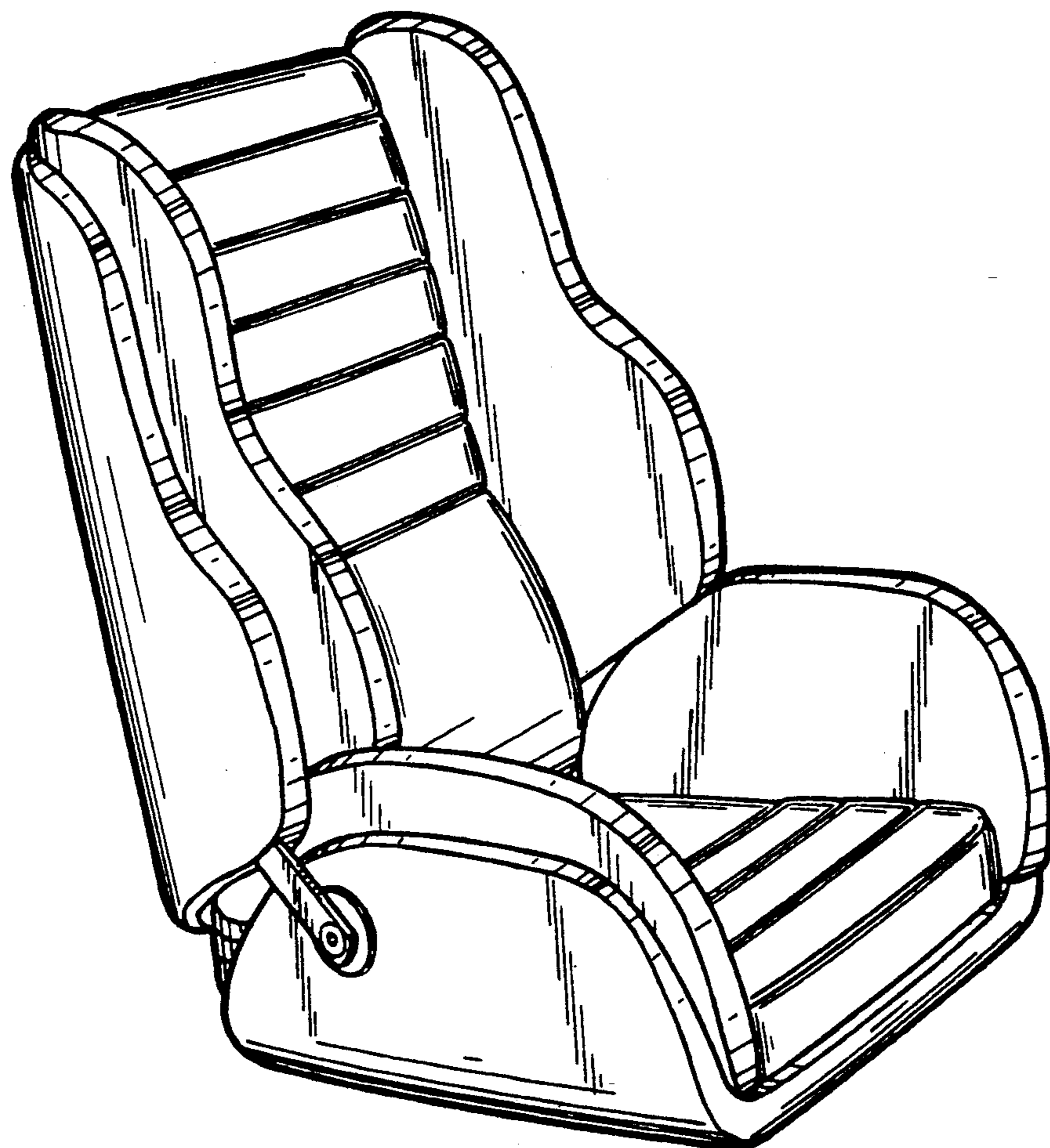


FIG.4

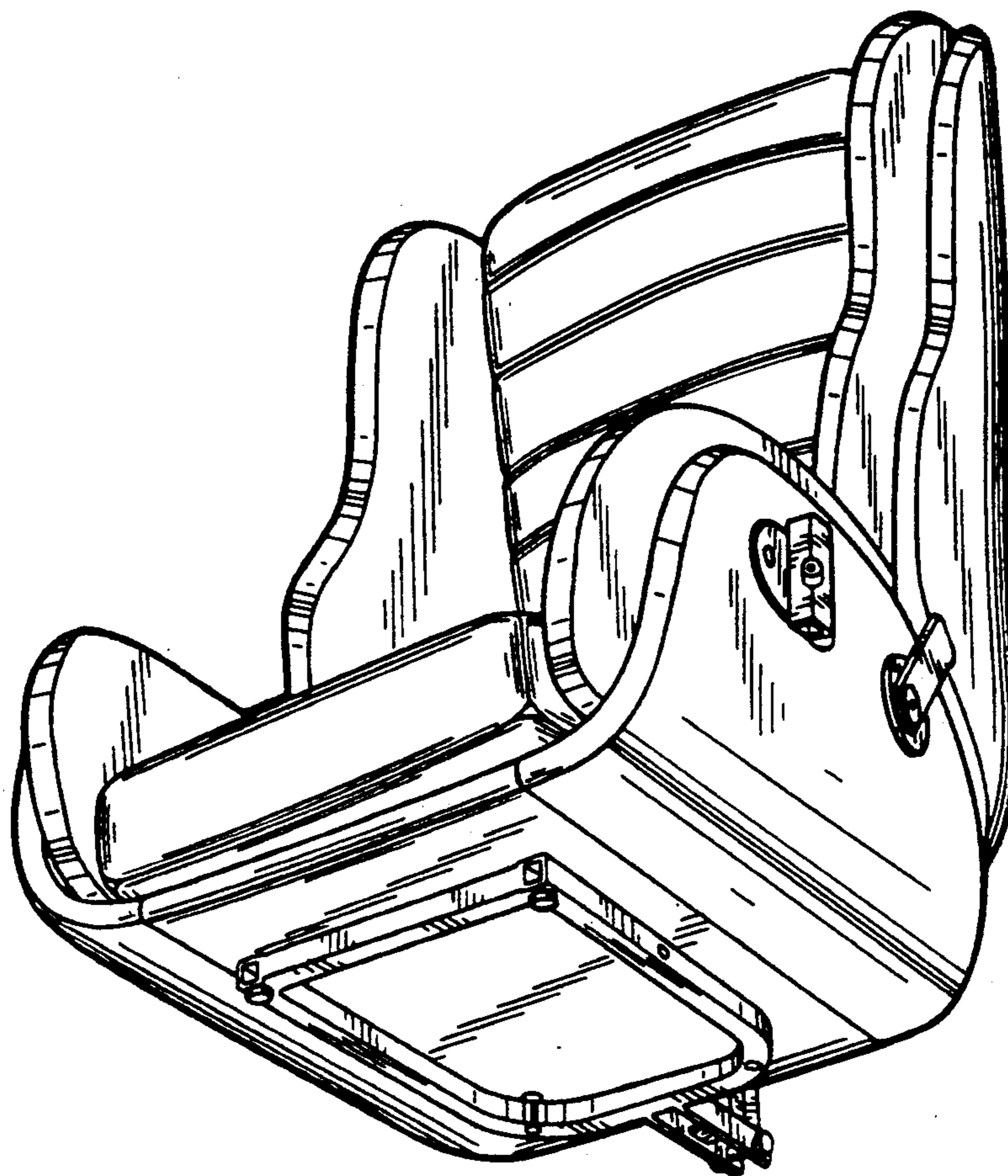


FIG.5