



US00D327040S

# United States Patent [19]

[11] Patent Number: **Des. 327,040**

**Brummer**

[45] Date of Patent: **\*\* Jun. 16, 1992**

[54] **RECUMBENT BICYCLE FRAME AND FORK**

[76] Inventor: **Tim Brummer**, 1308 W. Willow,  
Lompoc, Calif. 93436

[\*\*] Term: **14 Years**

[21] Appl. No.: **297,994**

[22] Filed: **Jan. 17, 1989**

[52] U.S. Cl. .... **D12/111**

[58] Field of Search ..... **D12/111; 280/281.1,**  
**280/288.1, 288.2, 288.3**

[56] **References Cited**

**U.S. PATENT DOCUMENTS**

- D. 301,130 5/1989 Brummer ..... D12/111
- D. 304,319 10/1989 Brummer ..... D12/111

**OTHER PUBLICATIONS**

American Bicyclist & Motorcyclist, Jun. 1987, pp. 30 &

32, the recumbent bicycle (A) & the three wheeled recumbent vehicle.

*Primary Examiner*—James M. Gandy

*Assistant Examiner*—Melody Brown

[57] **CLAIM**

The ornamental design for a recumbent bicycle frame and fork, as shown and described.

**DESCRIPTION**

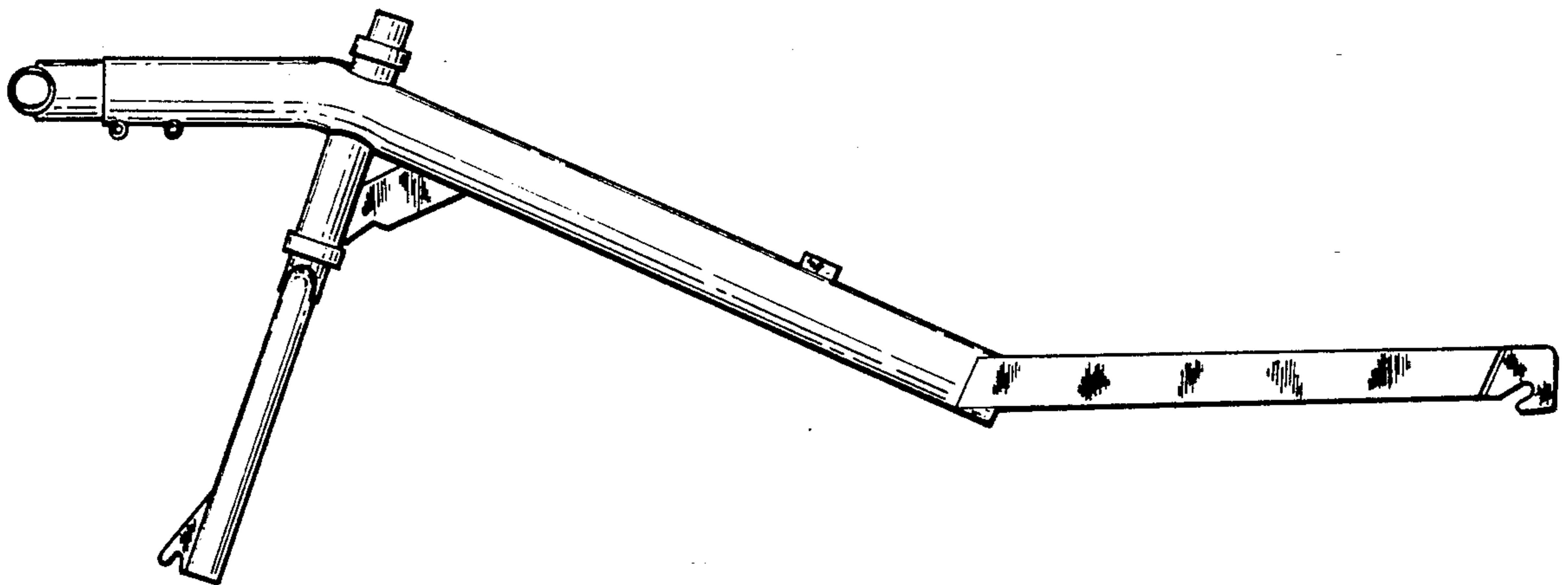
FIG. 1 is a side elevation view of a recumbent bicycle frame and fork showing my new design, the opposite side being a mirror image of that shown;

FIG. 2 is a bottom plan view thereof;

FIG. 3 is a left end elevation view thereof;

FIG. 4 is a side elevation view of a recumbent bicycle frame and fork showing a second embodiment of my design; and,

FIG. 5 is a top plan view of FIG. 4.



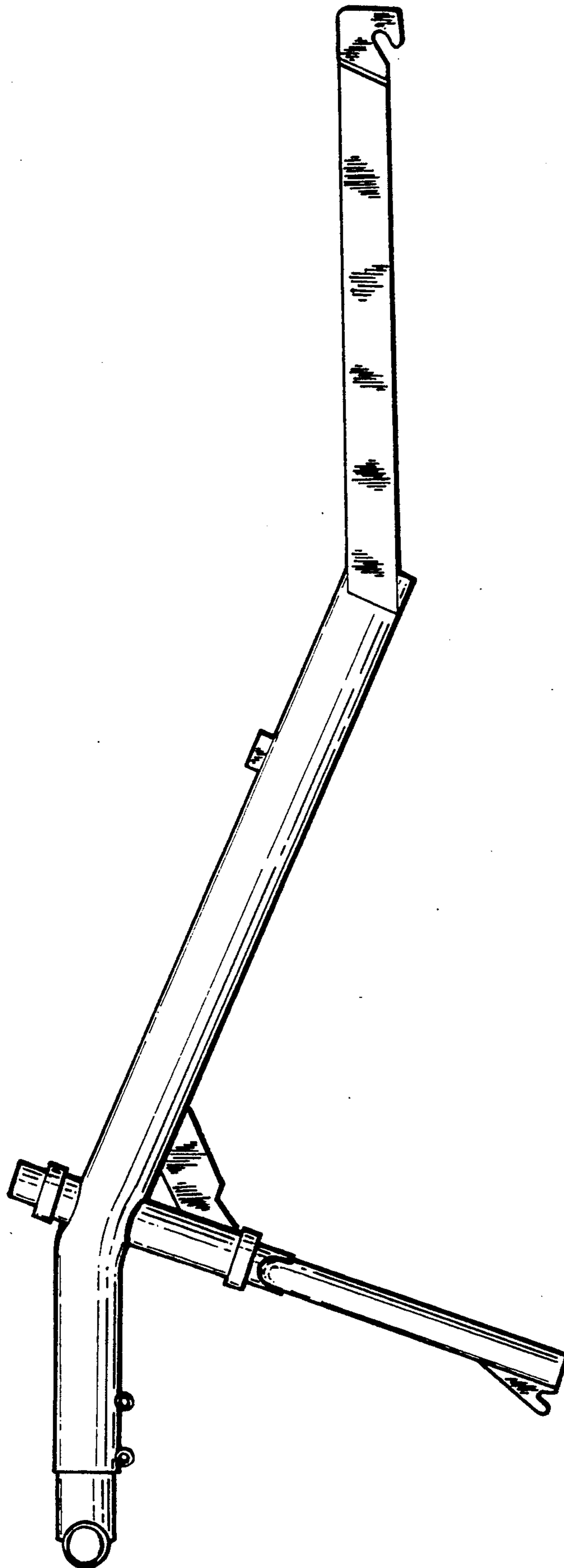


FIG. 1

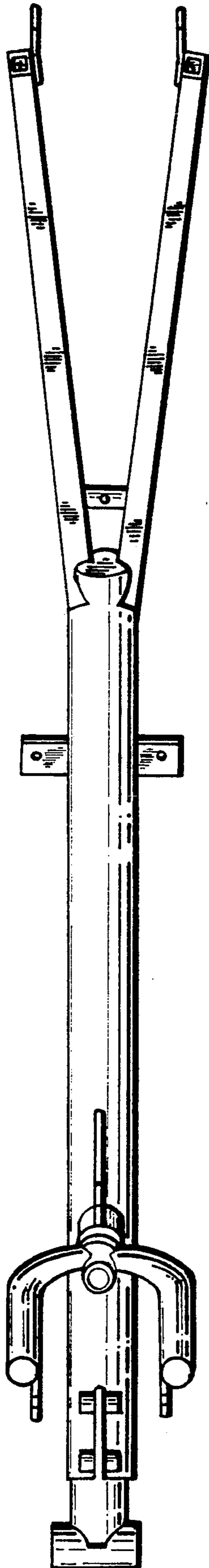


FIG. 2

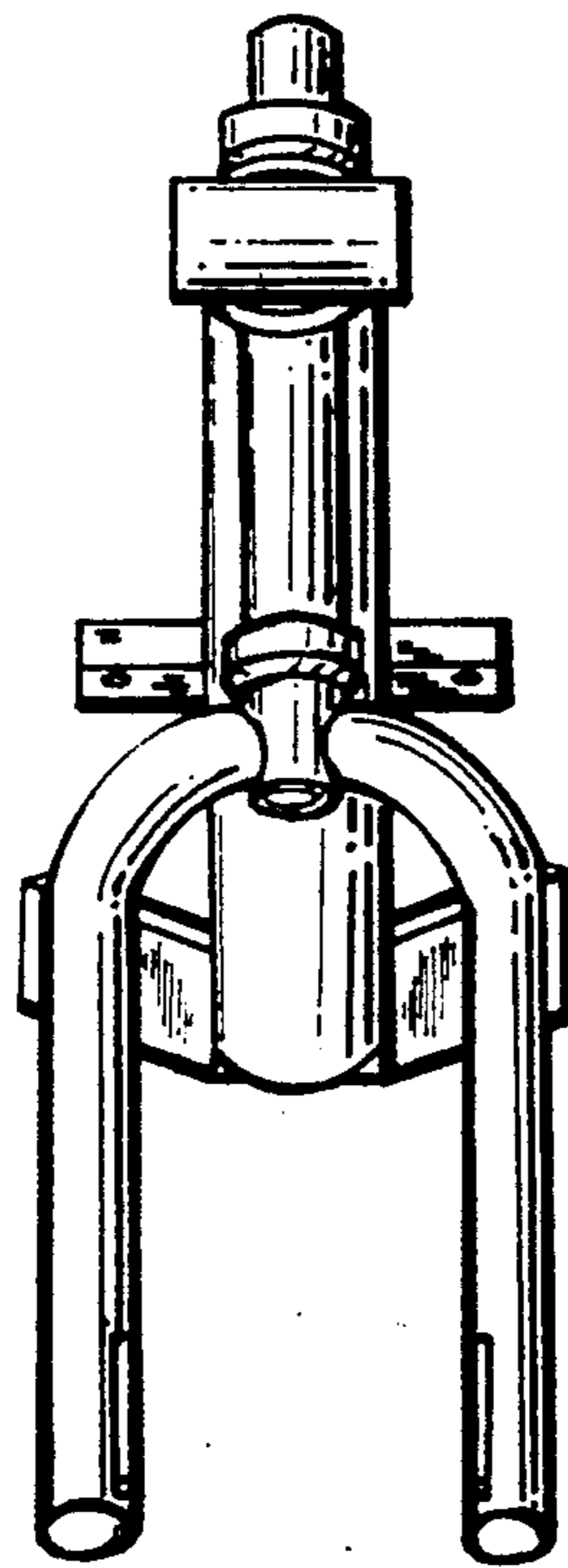


FIG. 3

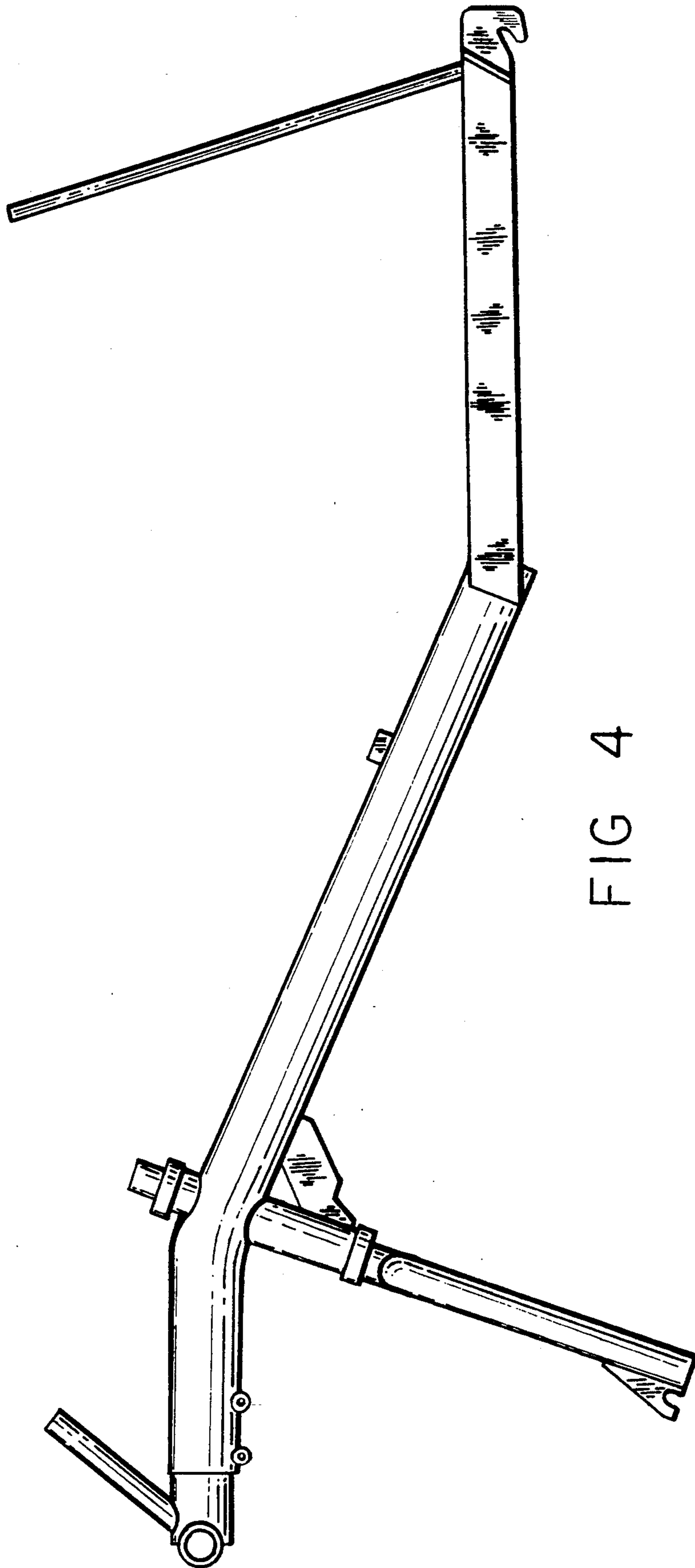


FIG 4

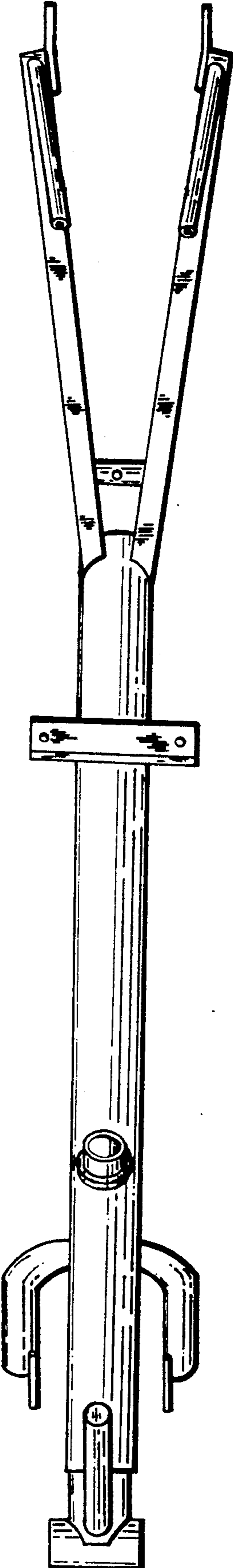


FIG. 5