



US00D327015S

# United States Patent [19]

[11] Patent Number: **Des. 327,015**

Stallings

[45] Date of Patent: **\*\* Jun. 16, 1992**

[54] **CLOSURE FOR LIQUID CONTAINER**

[76] Inventor: **Dorothy Stallings, Rte. 1, Box 165C, Pattonville, Tex. 75468**

[\*\*] Term: **14 Years**

[21] Appl. No.: **782,232**

[22] Filed: **Oct. 22, 1991**

**Related U.S. Application Data**

[63] Continuation-in-part of Ser. No. 478,771, Feb. 12, 1990, Pat. No. Des. 320,938.

[52] U.S. Cl. .... **D9/436; D9/435**

[58] Field of Search ..... **D9/434, 436, 435; D7/376, 380, 674, 681, 688, 694; D15/122, 199; 366/605; D8/14**

[56] **References Cited**

**U.S. PATENT DOCUMENTS**

D. 4,001	4/1870	Oblinger .....	D7/688 X
D. 122,155	8/1940	Beinhardt .....	D7/380
D. 271,750	12/1983	Karosi .	
D. 276,404	11/1984	Doyel .....	D7/380
D. 277,729	2/1985	Maxwell .....	D8/14
D. 290,084	6/1987	Klapperich .....	D8/14
D. 304,897	12/1989	Lin .	
D. 305,089	12/1989	Thompson .	
785,249	3/1905	Burnham .	
861,603	7/1907	Newton .	
1,698,402	1/1929	Harris .	
2,027,297	1/1936	Tramosch .	
2,257,238	9/1941	Hexter .	
2,585,334	2/1952	McCauley .	

2,636,643	4/1953	McCauley .	
2,643,661	6/1953	Shanahan, Jr. .	
2,780,385	2/1957	Tupper .	
2,795,405	6/1957	Christopher .	
2,932,494	4/1960	Wales .	
3,139,220	6/1964	Darcy .	
3,326,533	6/1967	Sturup .....	D7/688 X
3,596,813	8/1971	Munn .	
3,704,007	11/1972	Kroeger .	
3,860,990	1/1975	Petruzzi .....	D7/688 X
4,339,992	7/1982	Kurland .	
4,380,399	4/1983	Godat et al. .	
4,407,584	10/1983	Boudin et al. .	
4,422,770	12/1983	Geible .	
4,538,992	9/1985	Johnson .	
4,907,714	3/1990	Gatz .	
4,926,390	5/1990	Murzsa .	

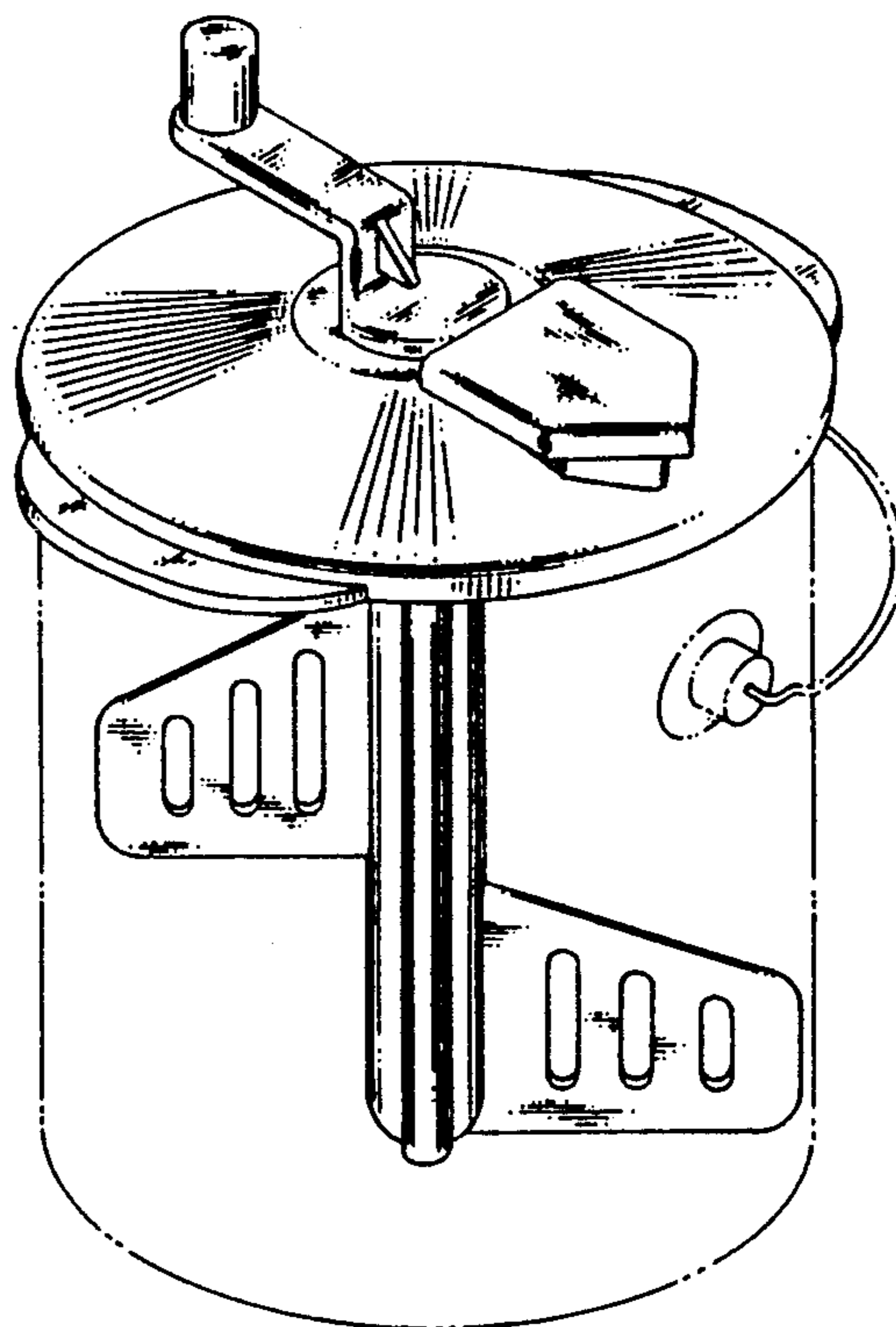
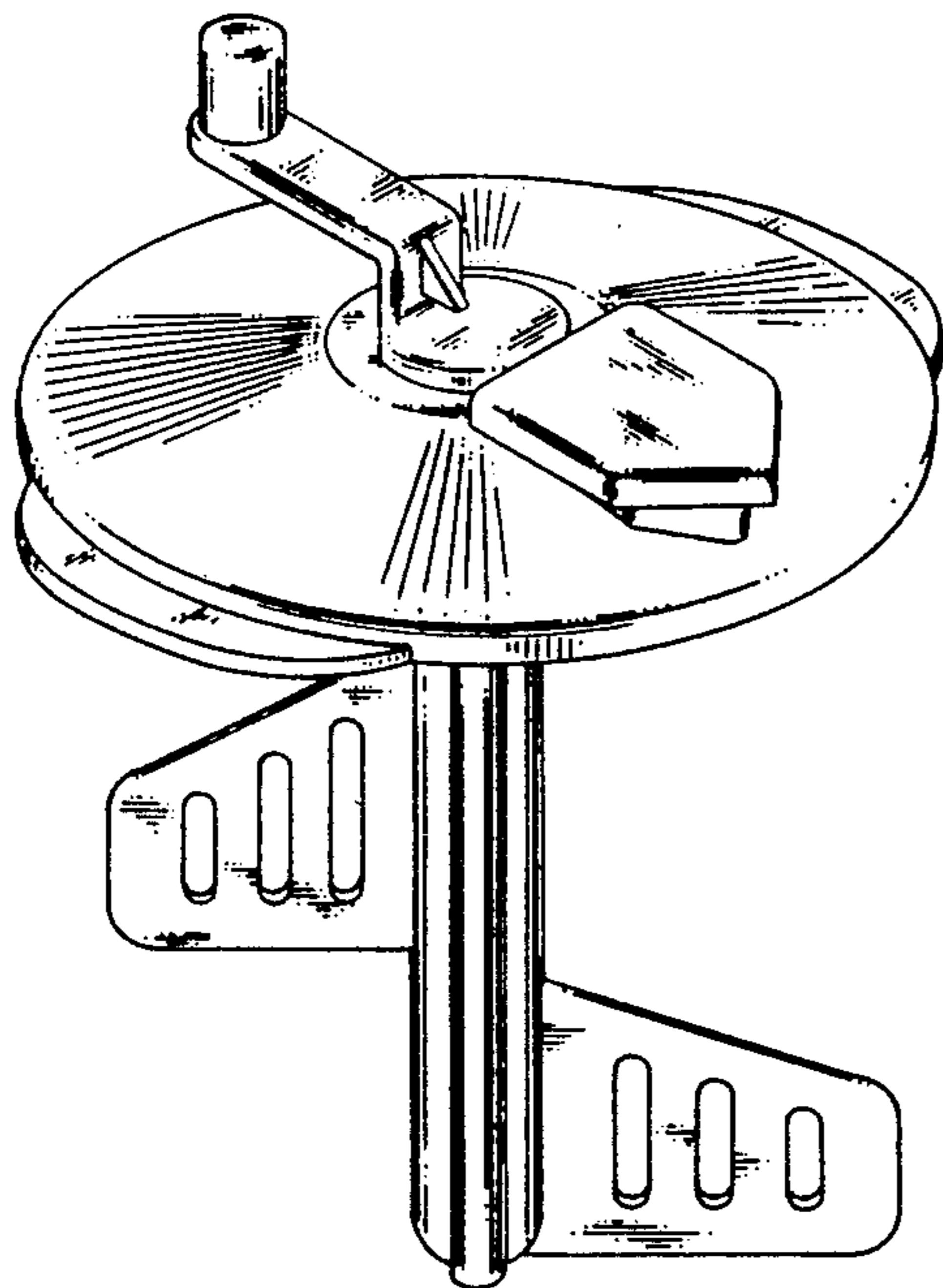
*Primary Examiner*—Bernard Ansher  
*Assistant Examiner*—Dominic Simone  
*Attorney, Agent, or Firm*—Daniel V. Thompson

[57] **CLAIM**

The ornamental design for a closure for liquid container, as shown and described.

**DESCRIPTION**

FIG. 1 is a perspective view of a closure for liquid containers showing my new design; FIG. 2 is a right side elevational view thereof; FIG. 3 is a front elevational view thereof; FIG. 4 is a left side elevational view thereof; FIG. 5 is a top plan view thereof; FIG. 6 is a bottom plan view thereof; and, FIG. 7 is a perspective view thereof, the container shown in broken lines for illustrative purposes only.



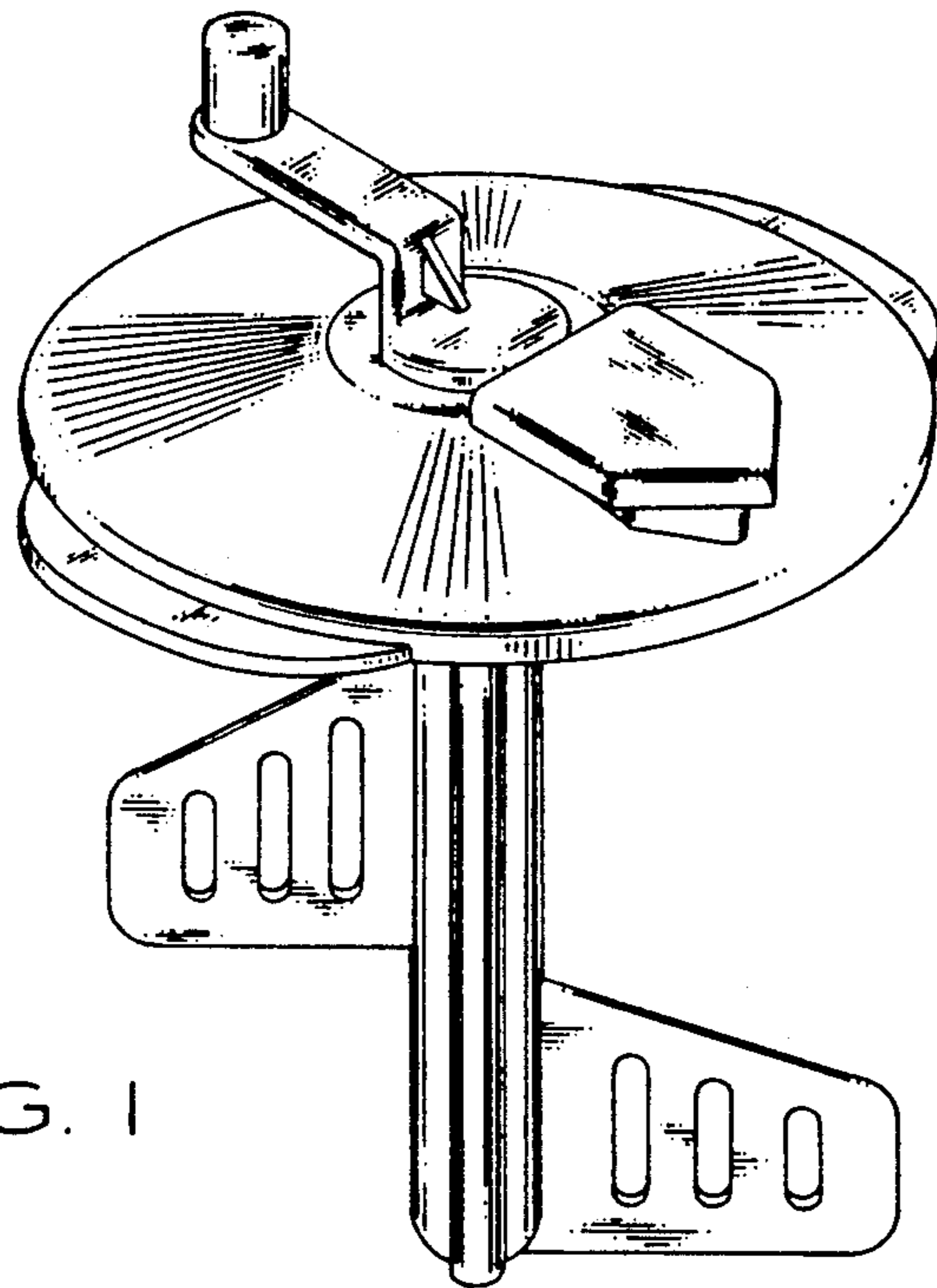


FIG. 1

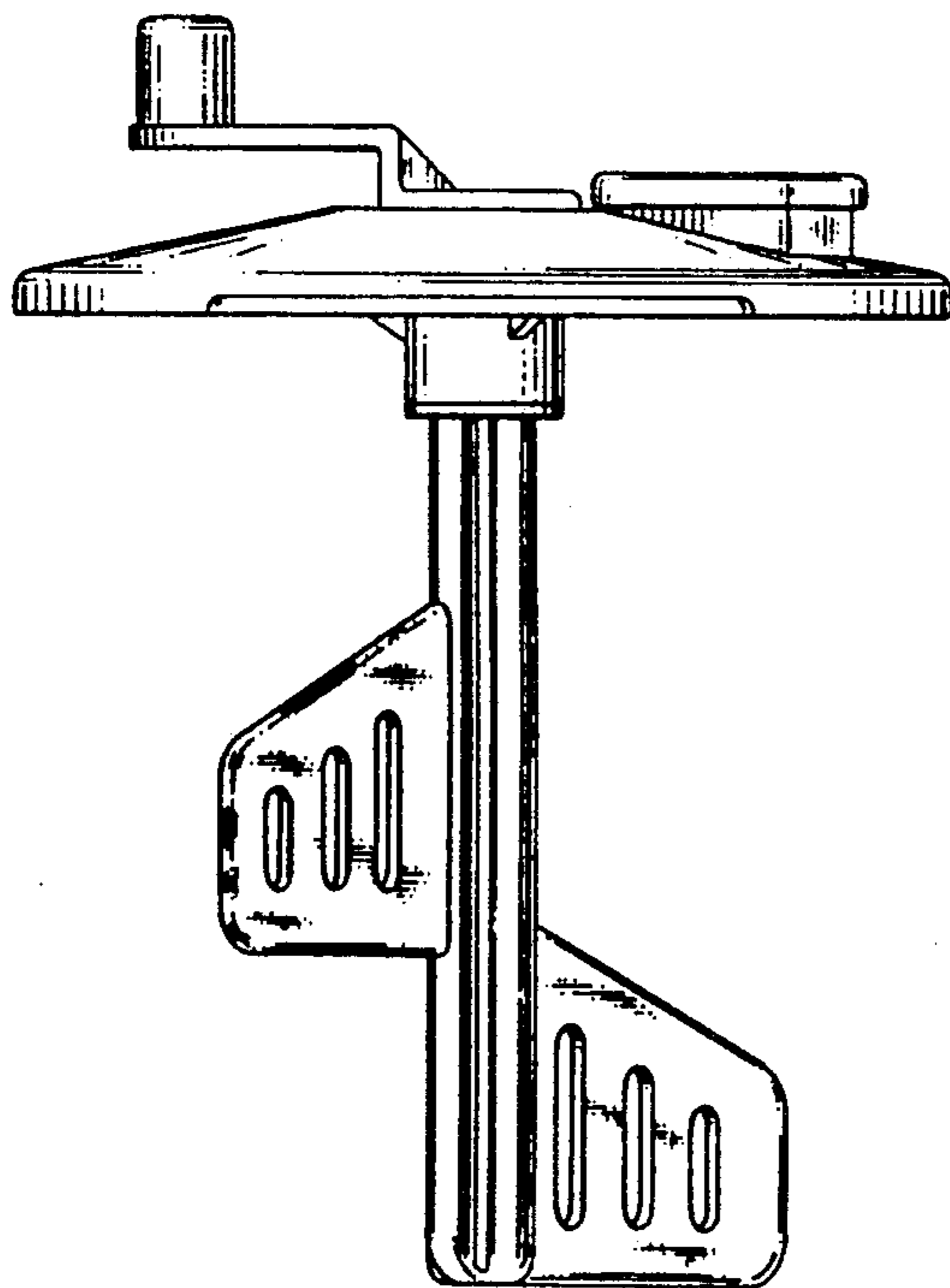


FIG. 2

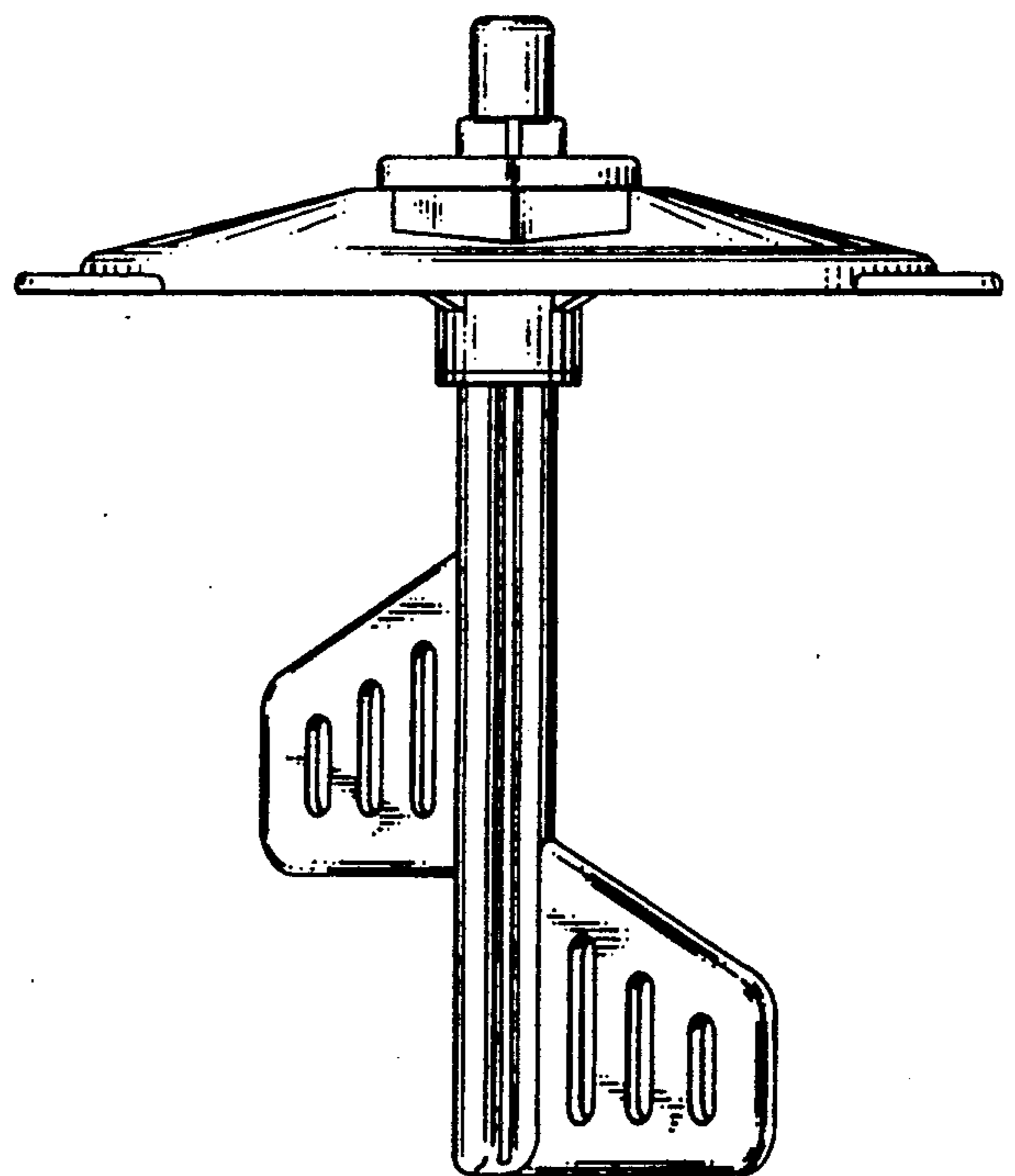


FIG. 3

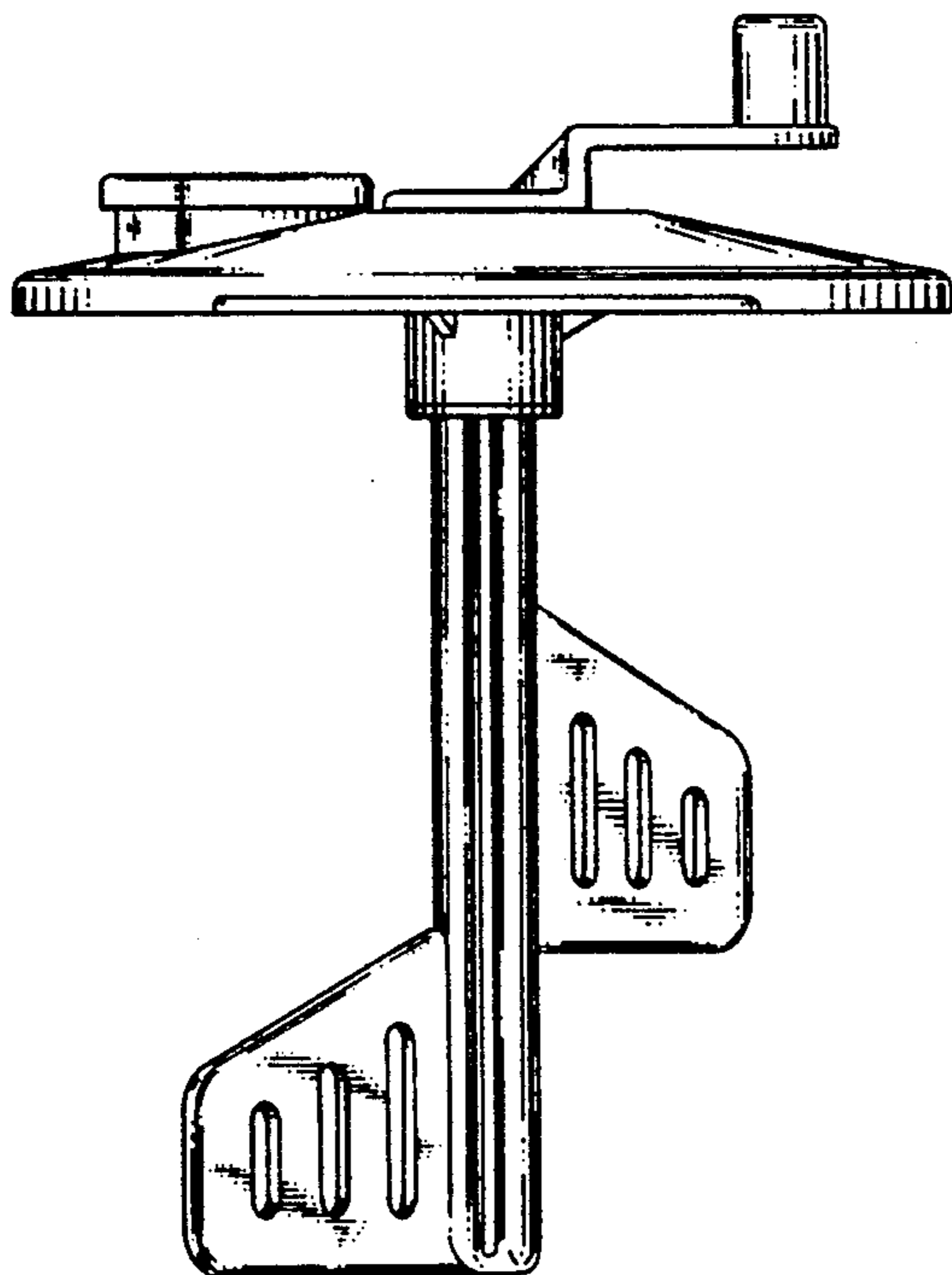


FIG. 4

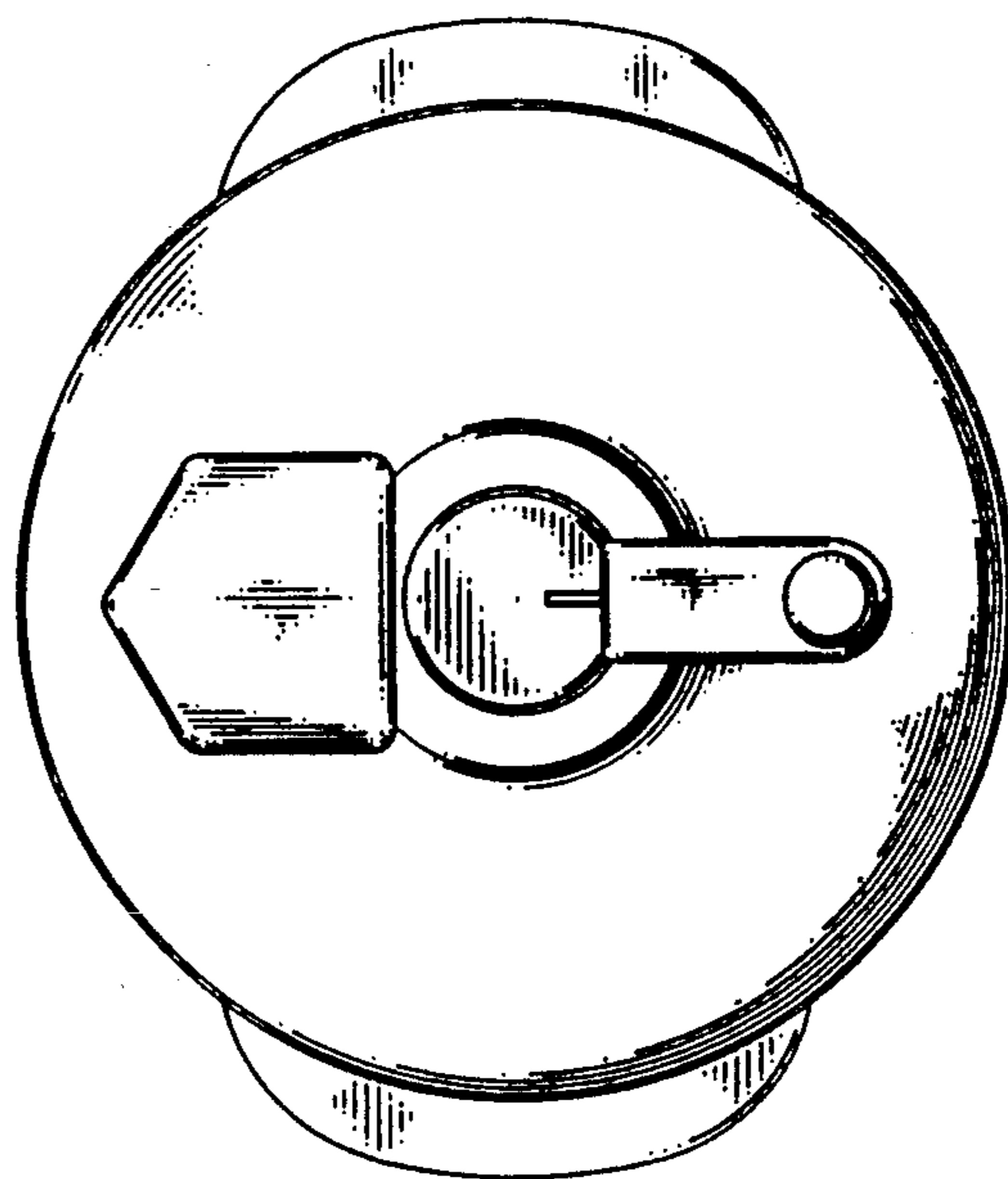


FIG. 5

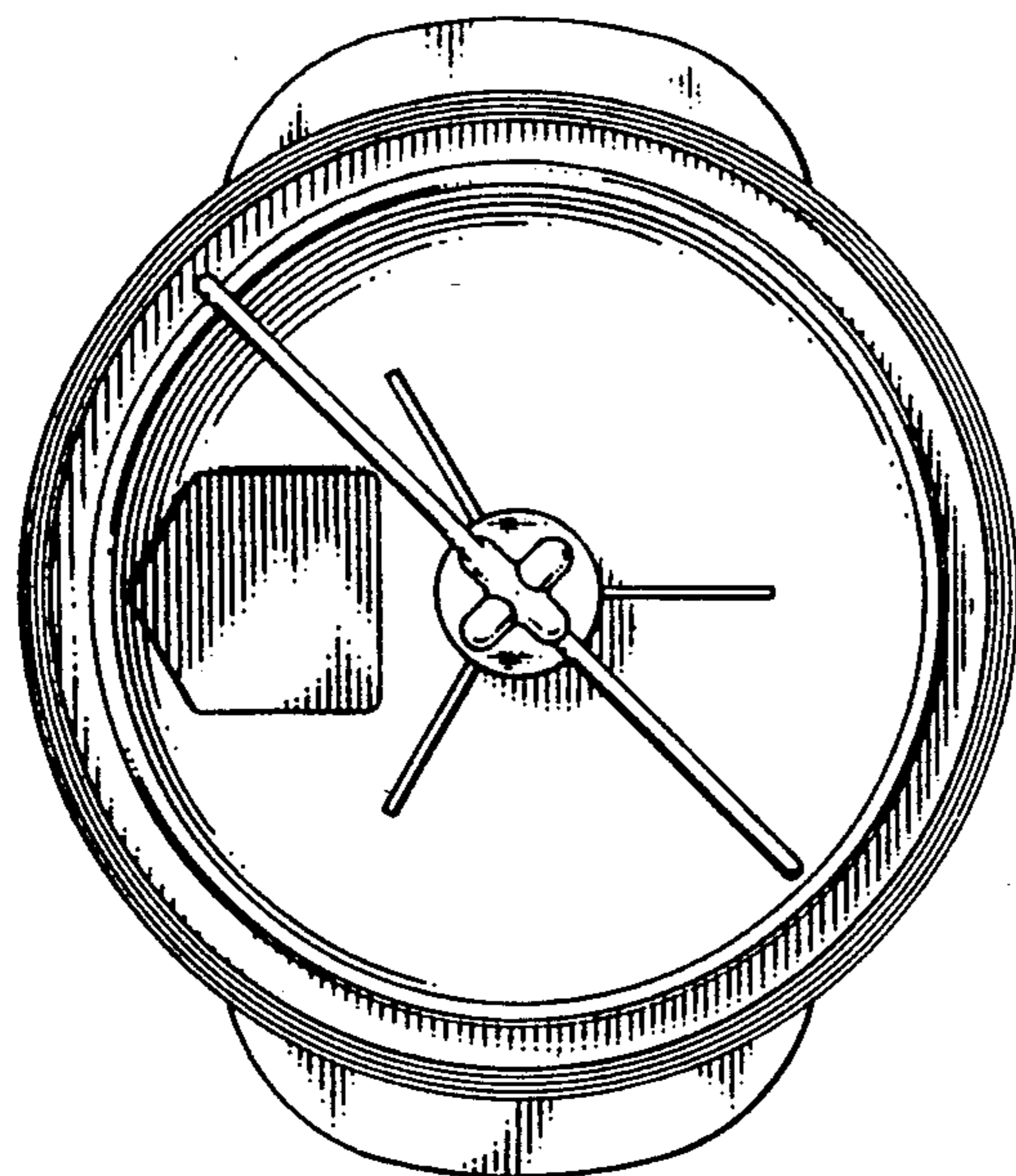


FIG. 6

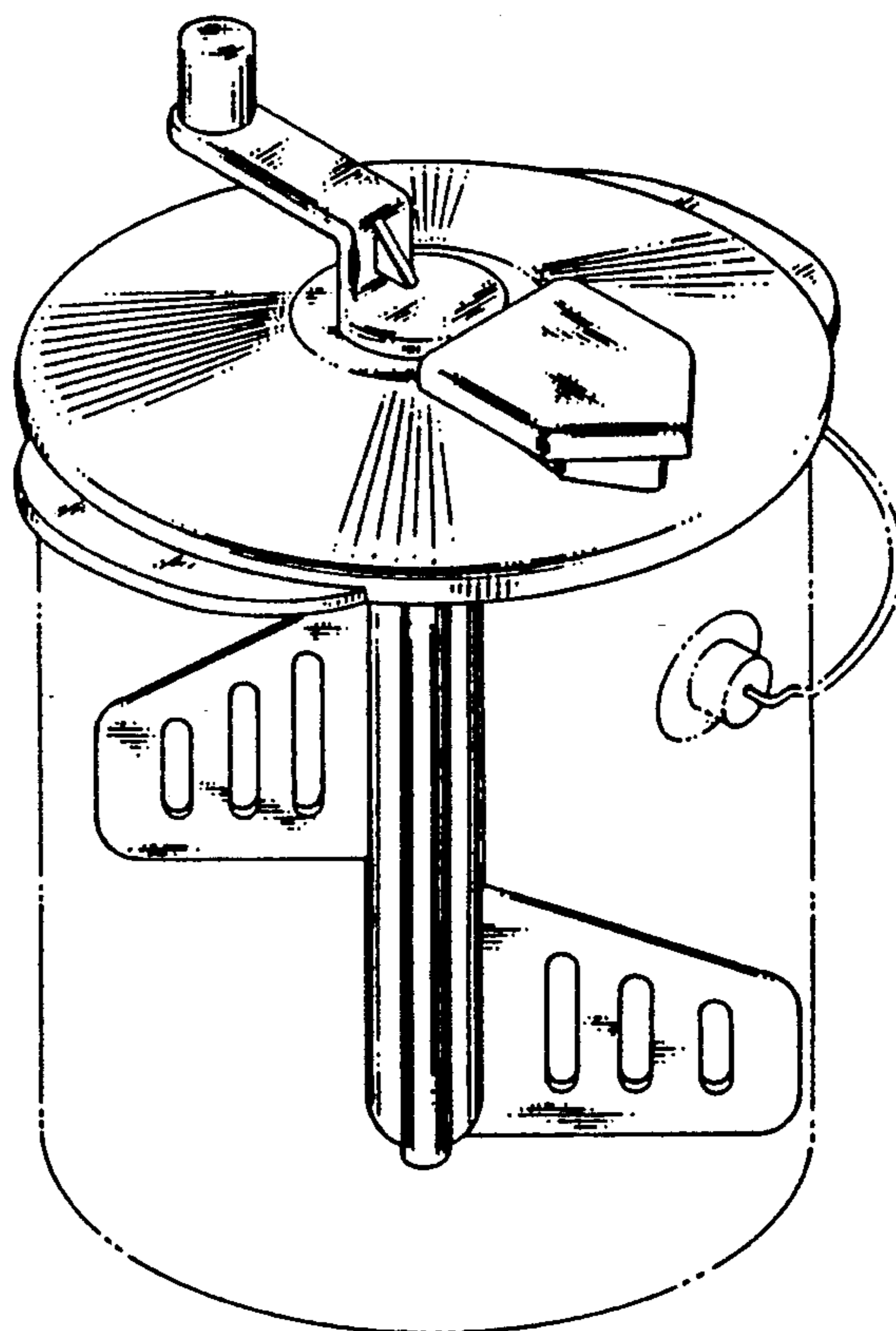


FIG. 7