



US00D327008S

United States Patent [19]

[11] Patent Number: **Des. 327,008**

Friedman

[45] Date of Patent: **** Jun. 16, 1992**

[54] **COSMETIC SAMPLE CONTAINER**

[75] Inventor: **Leon Friedman, Mastic Beach, N.Y.**

[73] Assignee: **True Products Sampling, Inc., Island Park, N.Y.**

[**] Term: **14 Years**

[21] Appl. No.: **575,507**

[22] Filed: **Aug. 29, 1990**

[52] U.S. Cl. **D9/521; D9/302; D9/545; D24/224**

[58] Field of Search **D9/371, 370, 403-413, D9/302, 417, 337, 443, 338; D24/224, 121, 127, 128; 215/32, 1 R, 1 C; 206/528, 530, 532**

[56] **References Cited**

U.S. PATENT DOCUMENTS

- D. 237,942 12/1975 Welker, III D9/371
- D. 258,534 3/1981 Nagel D24/224

- D. 296,869 7/1988 Bauwens D9/302
- D. 312,209 11/1990 Morrow et al. D9/371
- 4,871,091 10/1989 Preziosi 206/530 X
- 4,995,519 2/1991 Rose et al. 215/32
- 5,046,627 9/1991 Hansen 215/32 X

Primary Examiner—Theodore M. Shooman
Assistant Examiner—Lucy Lieberman
Attorney, Agent, or Firm—James & Franklin

[57] **CLAIM**

The ornamental design for a cosmetic sample container, as shown and described.

DESCRIPTION

FIG. 1 is a front and left side perspective view of a cosmetic sample container showing my new design; FIG. 2 is a rear elevation thereof; FIG. 3 is a right side elevation thereof; FIG. 4 is a top plan view thereof; and, FIG. 5 is a bottom plan view thereof.

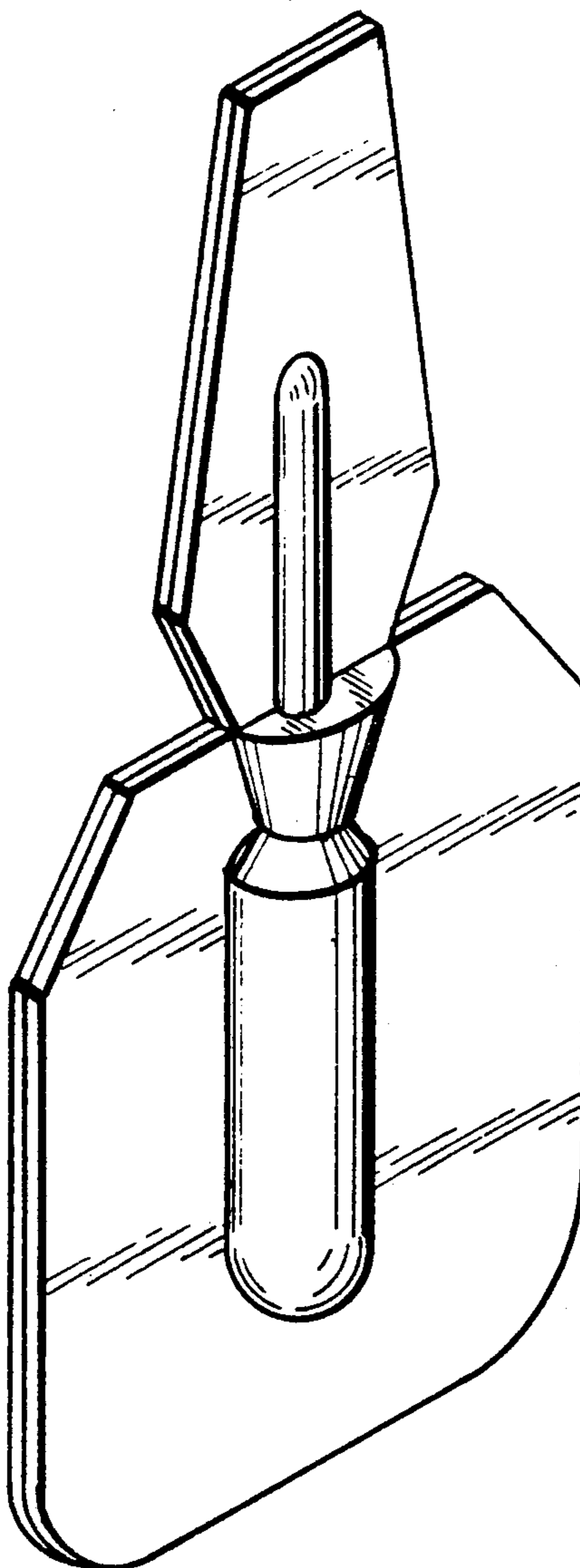


FIG. 1

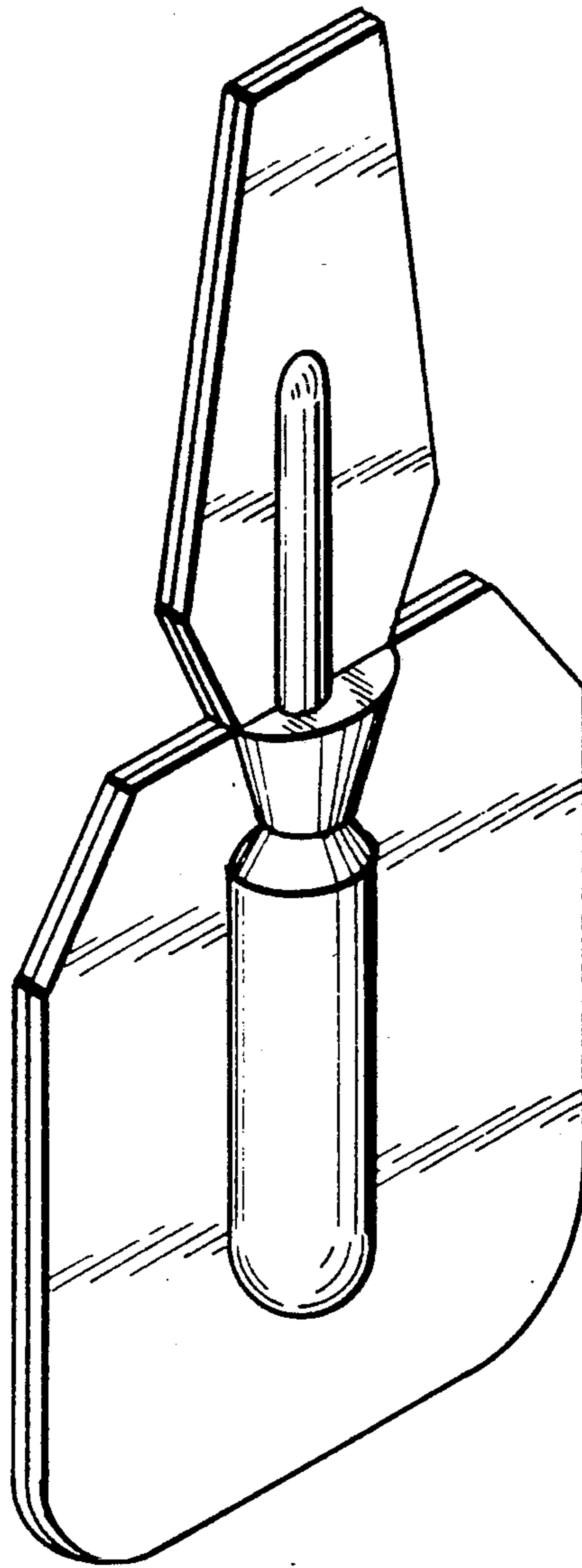


FIG. 5

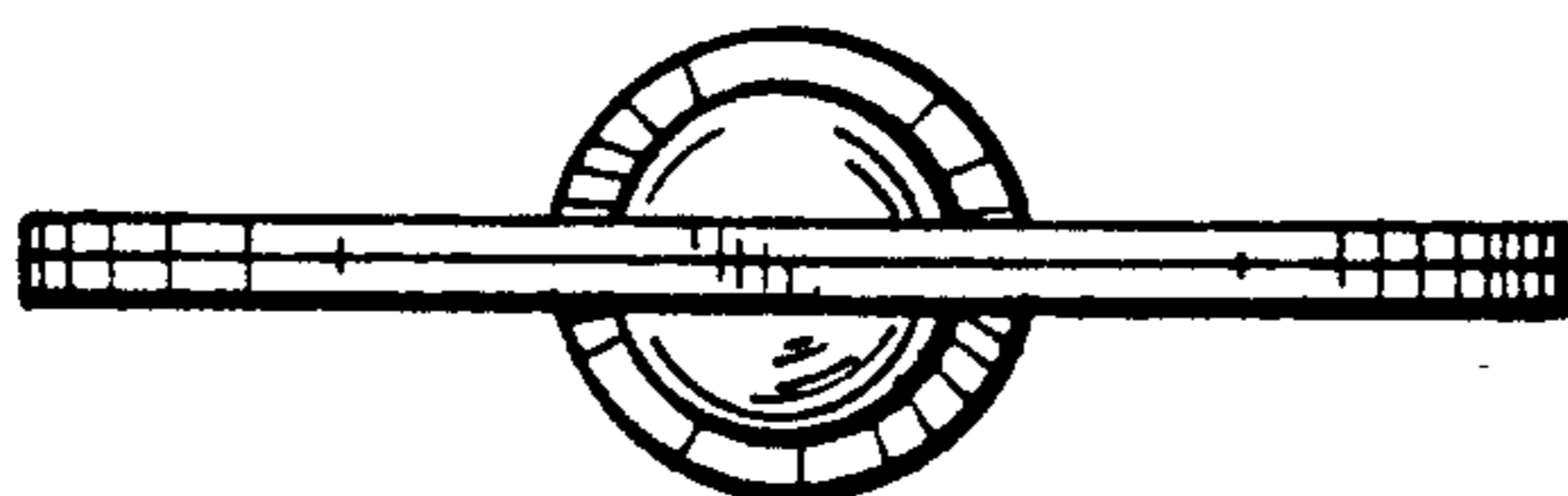


FIG. 2

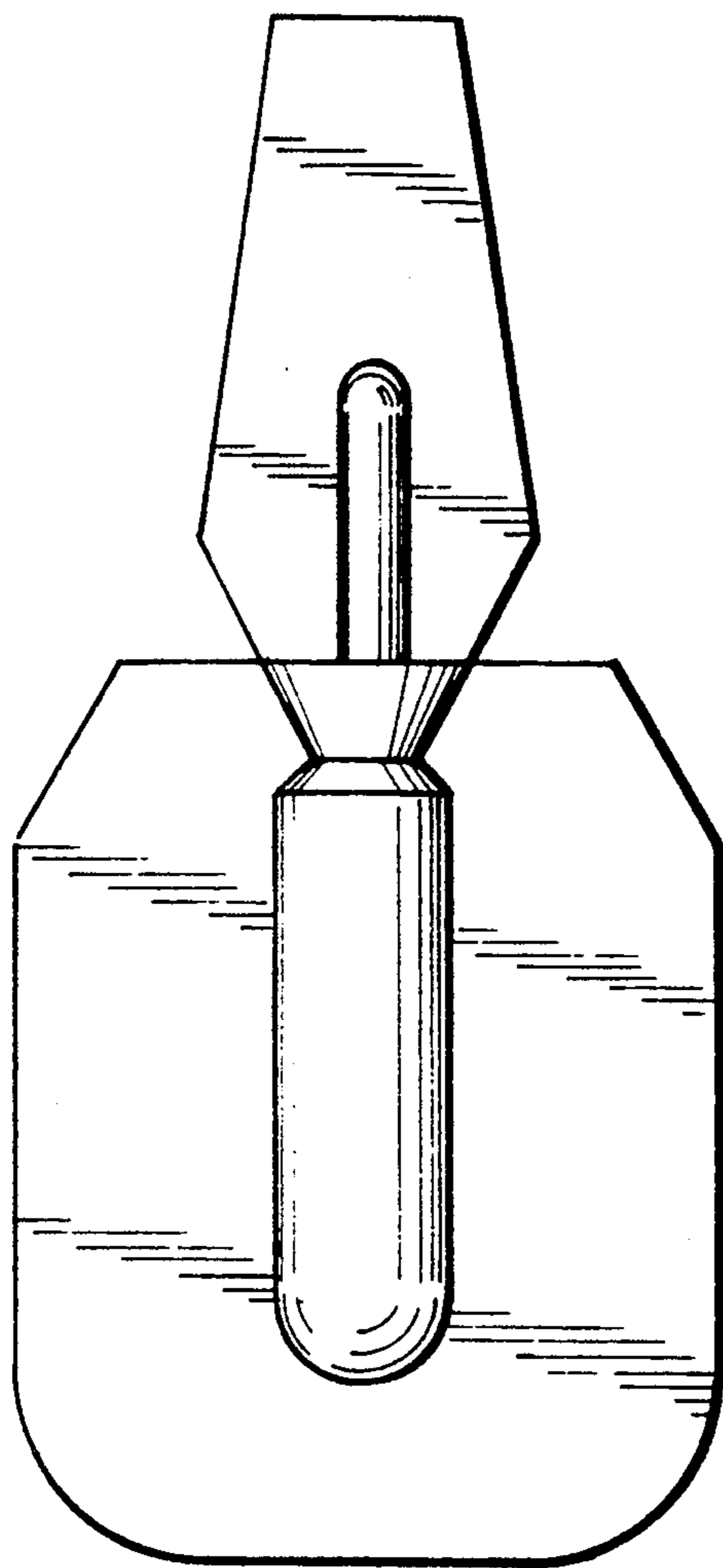


FIG. 3

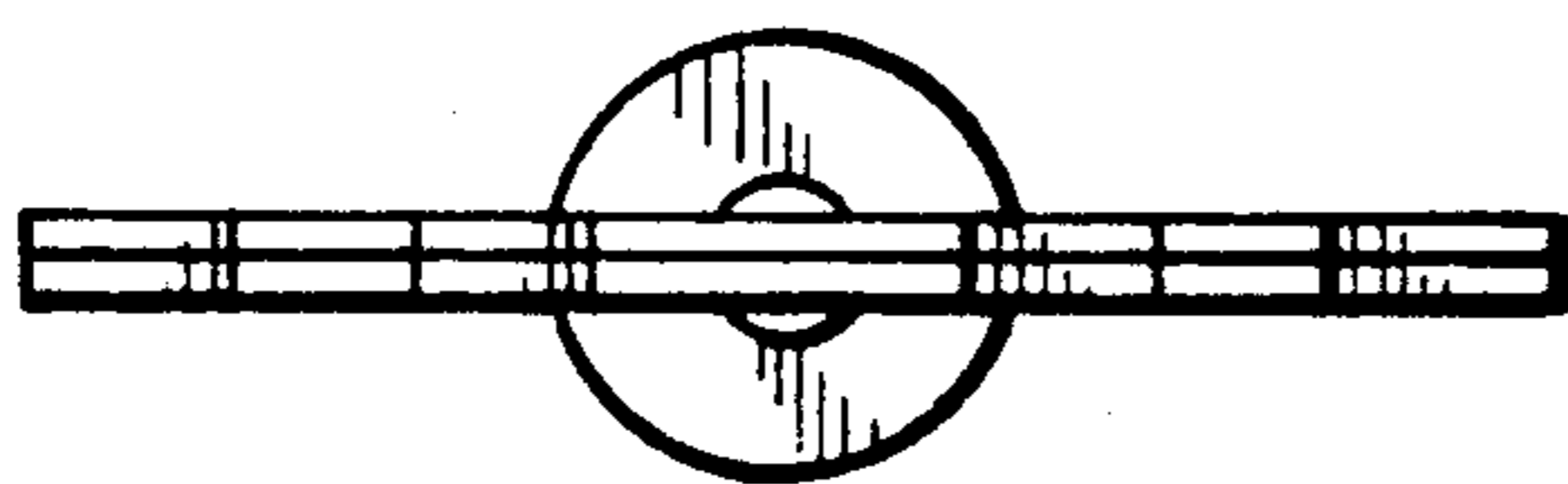
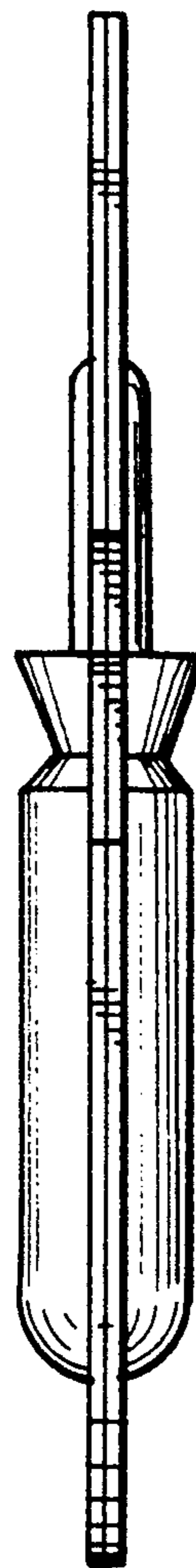


FIG. 4