



US00D327007S

United States Patent [19] Olds

[11] Patent Number: **Des. 327,007**

[45] Date of Patent: **** Jun. 16, 1992**

[54] **BOTTLE**

4,755,404 7/1988 Collette 215/1 C X

[75] Inventor: **Sandra H. Olds, Lilburn, Ga.**

Primary Examiner—Melvin B. Feifer

Assistant Examiner—Lucy Lieberman

[73] Assignee: **The Coca-Cola Company, Atlanta, Ga.**

Attorney, Agent, or Firm—Lynne R. O'Brien; William C. Lee, III; W. Dexter Brooks

[**] Term: **14 Years**

[57] CLAIM

[21] Appl. No.: **634,290**

The ornamental design for a bottle, as shown and described.

[22] Filed: **Dec. 21, 1990**

[52] U.S. Cl. **D9/520; D9/551**

[58] Field of Search **D9/390-399, D9/349-355, 406, 370; 215/1 R, 1 C**

DESCRIPTION

[56] References Cited

U.S. PATENT DOCUMENTS

D. 81,642	7/1930	Harris	D9/392
D. 220,681	5/1971	Knies	D9/398
D. 225,974	1/1973	Barth	D9/355
D. 241,714	10/1976	Plummer	D9/355
D. 271,747	12/1983	Kanise	D9/392 X

FIG. 1 is a perspective view of a bottle showing my new design;

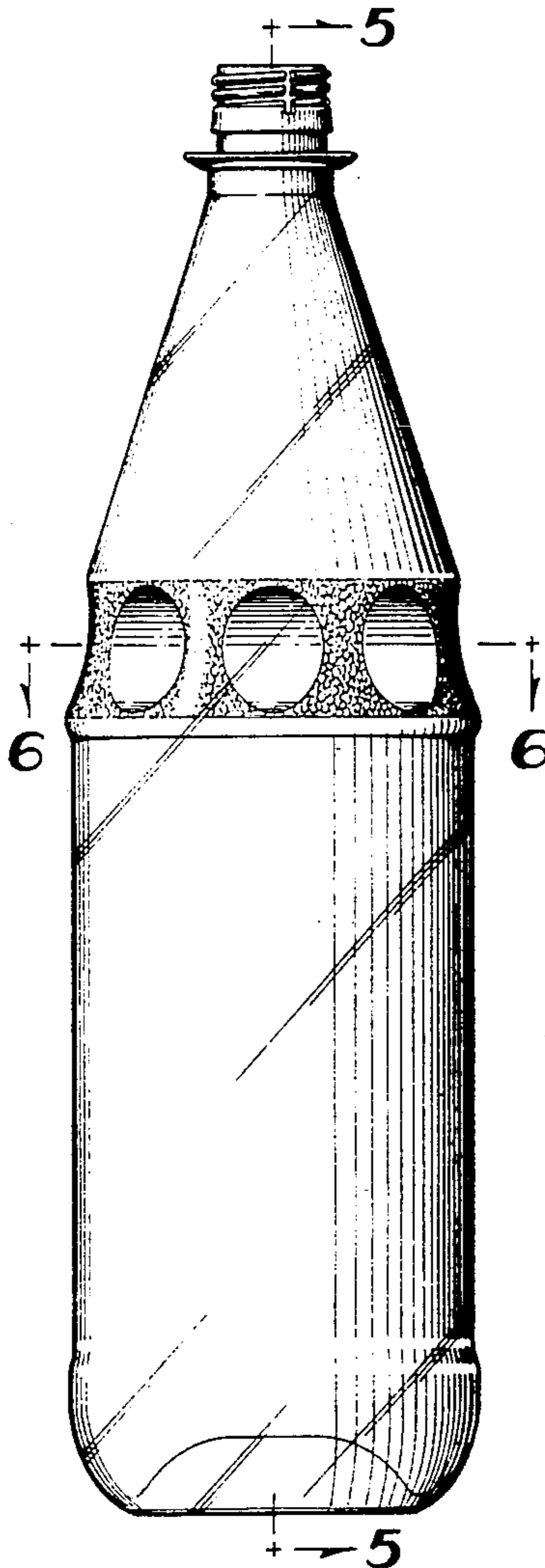
FIG. 2 is a front elevation thereof the rear and side elevations are the same;

FIG. 3 is a top plan view thereof;

FIG. 4 is a bottom plan view thereof;

FIG. 5 is a planar section taken along lines 5—5 in FIG. 2; and,

FIG. 6 is a planar section taken along lines 6—6 in FIG. 2.



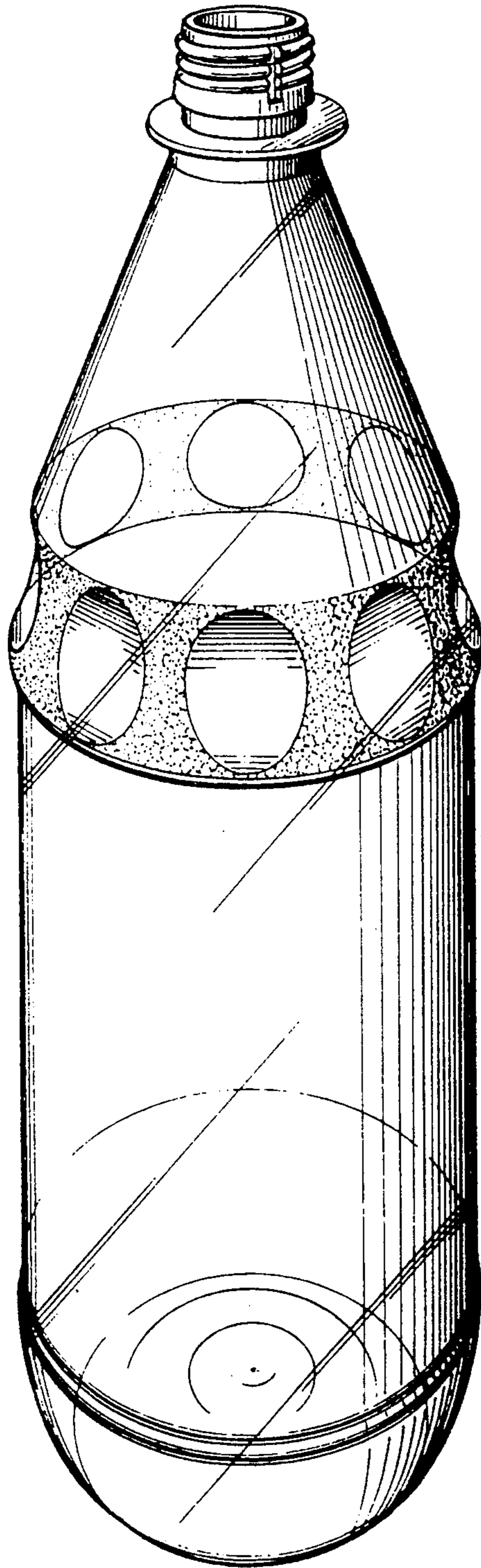


FIG 1

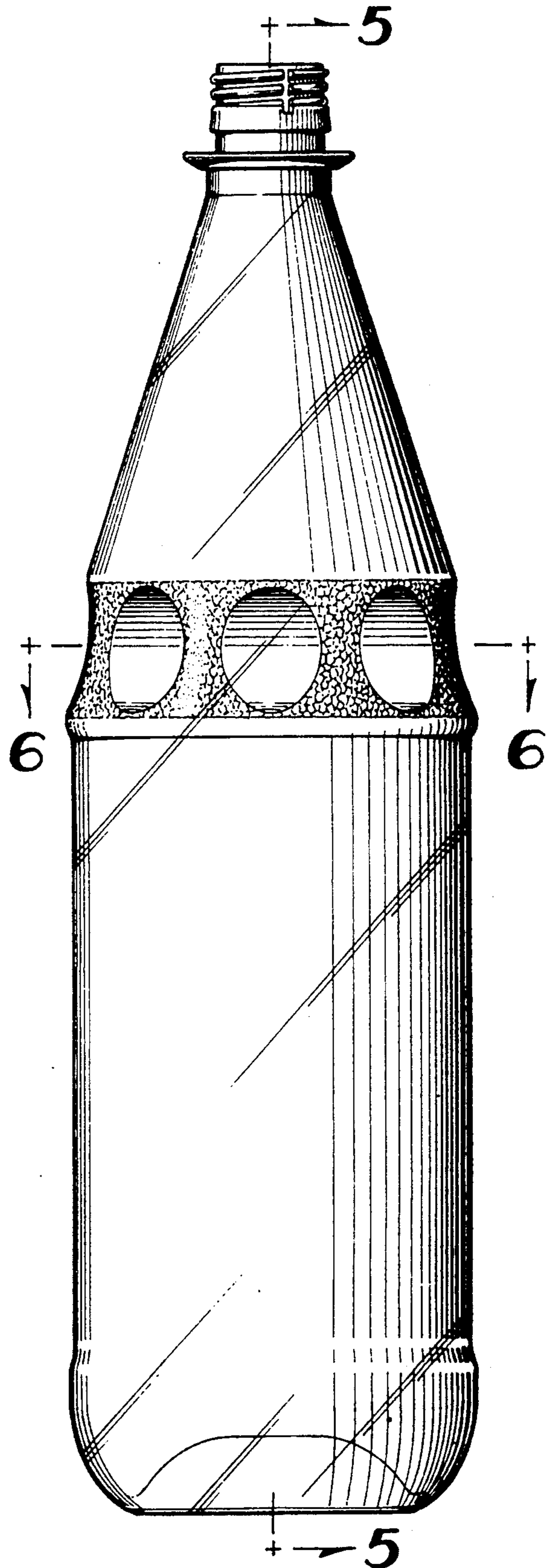


FIG 2

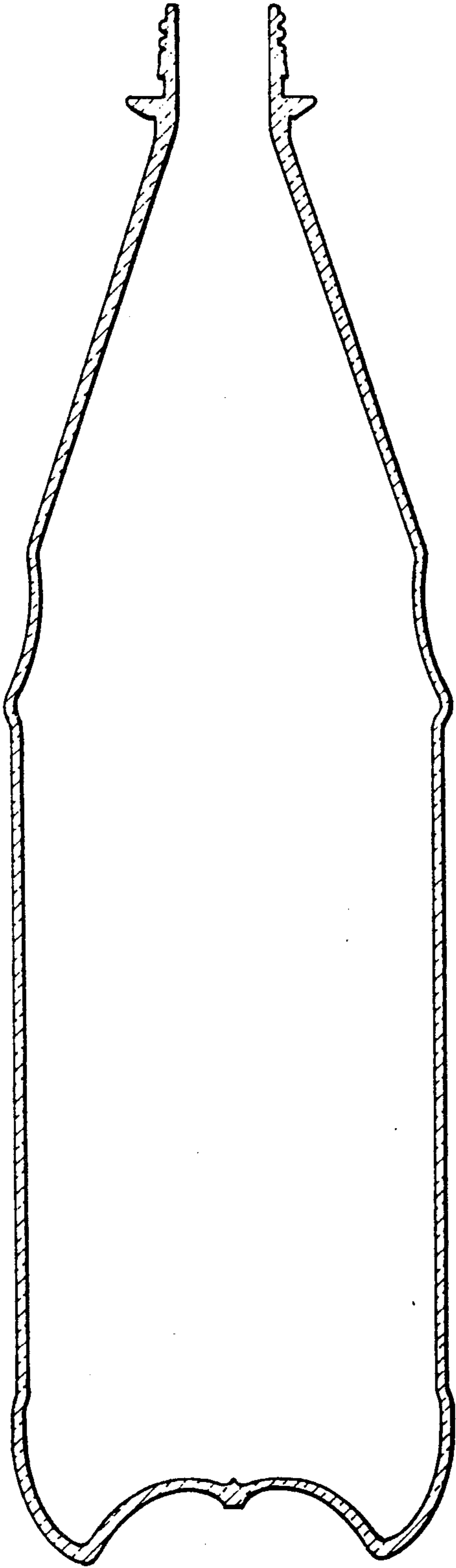


FIG 5

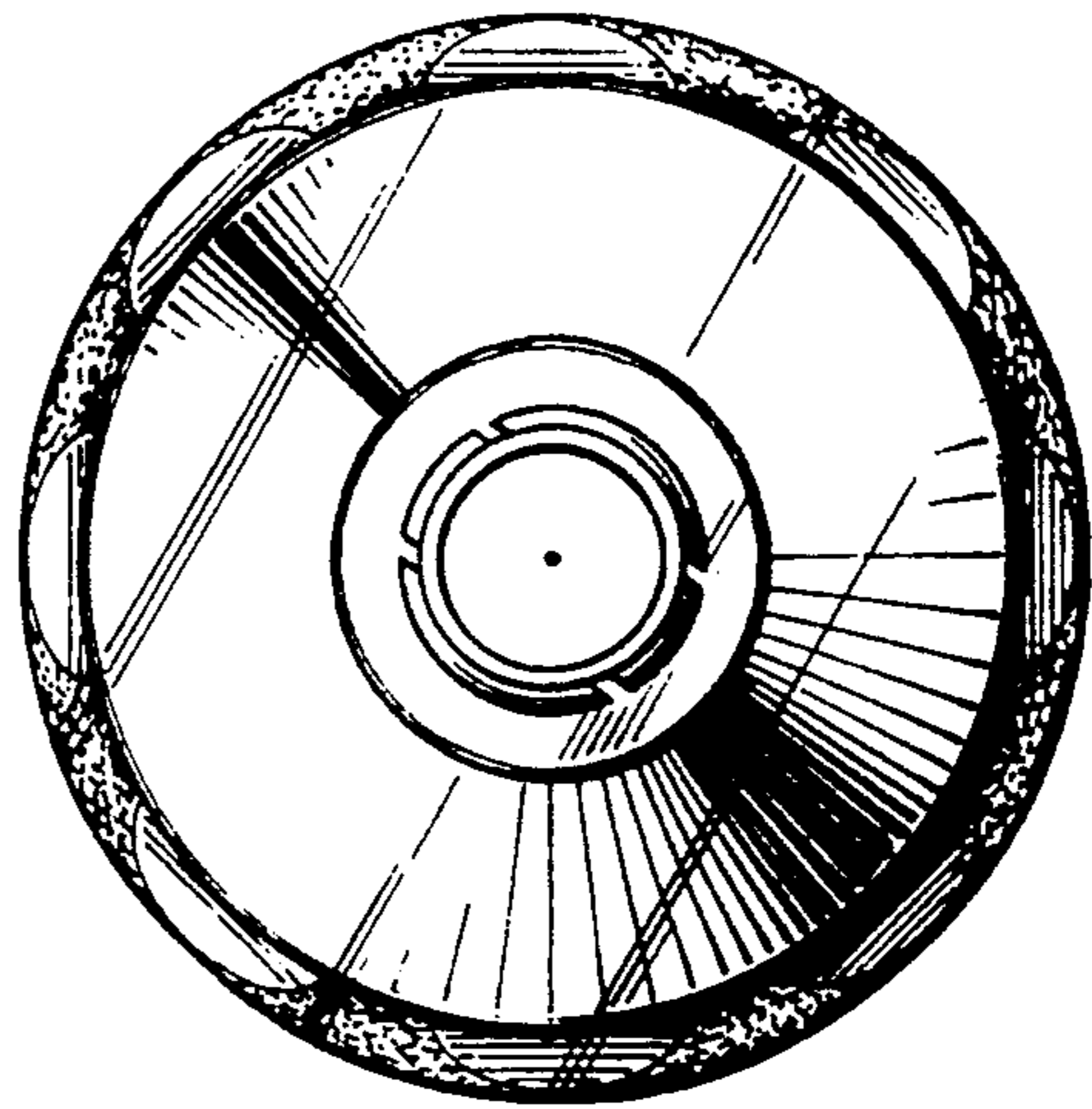


FIG 3

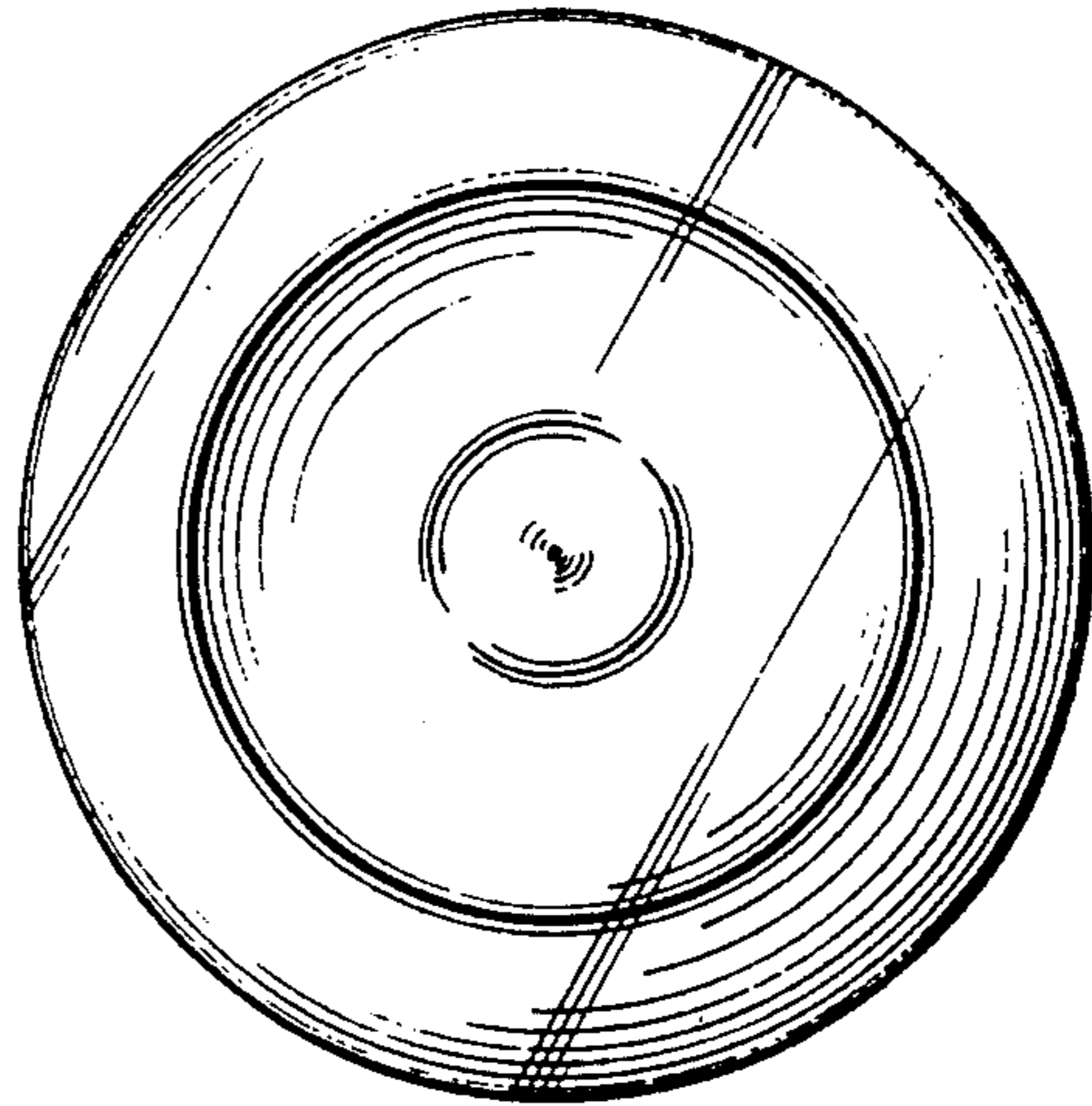


FIG 4

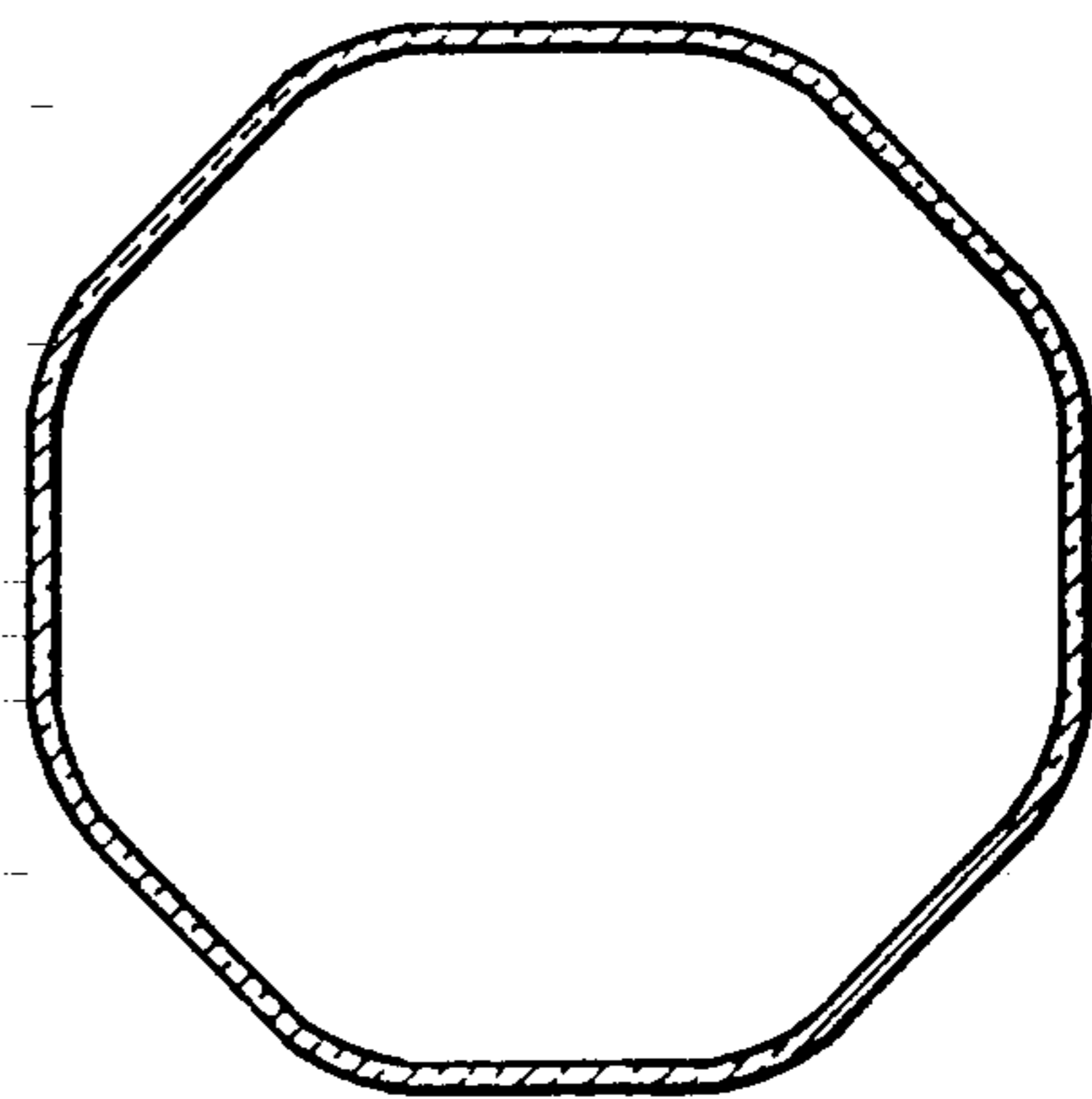


FIG 6