



US00D327004S

# United States Patent [19]

[11] Patent Number: **Des. 327,004**

Nadel

[45] Date of Patent: **\*\* Jun. 16, 1992**

[54] **COMBINED VIDEO CASSETTE CONTAINER AND GREETING CARD**

2,544,783 3/1951 Freedman et al. .... 446/148 X  
4,433,780 2/1984 Ellis ..... 206/387 X

[75] Inventor: **Jack Nadel**, Los Angeles, Calif.

### OTHER PUBLICATIONS

Current Stationary Catalogue; 1/1986; back cover; Pop-up Card (top right).

[73] Assignee: **Nadel Worlwide, Inc.**, Los Angeles, Calif.

*Primary Examiner*—Bernard Ansher  
*Assistant Examiner*—Dominic Simone  
*Attorney, Agent, or Firm*—Ladas & Parry

[\*\*] Term: **14 Years**

[21] Appl. No.: **347,168**

### [57] CLAIM

[22] Filed: **May 3, 1989**

The ornamental design for a combined video cassette container and greeting card, as shown.

[52] U.S. Cl. .... **D9/337; D9/432**

[58] Field of Search ..... **D9/337, 306, 432; D3/74; D19/1, 2, 6; 446/147, 148; 283/117; 40/124.1, 539; 229/92.8; 206/387, 831**

### DESCRIPTION

### [56] References Cited

#### U.S. PATENT DOCUMENTS

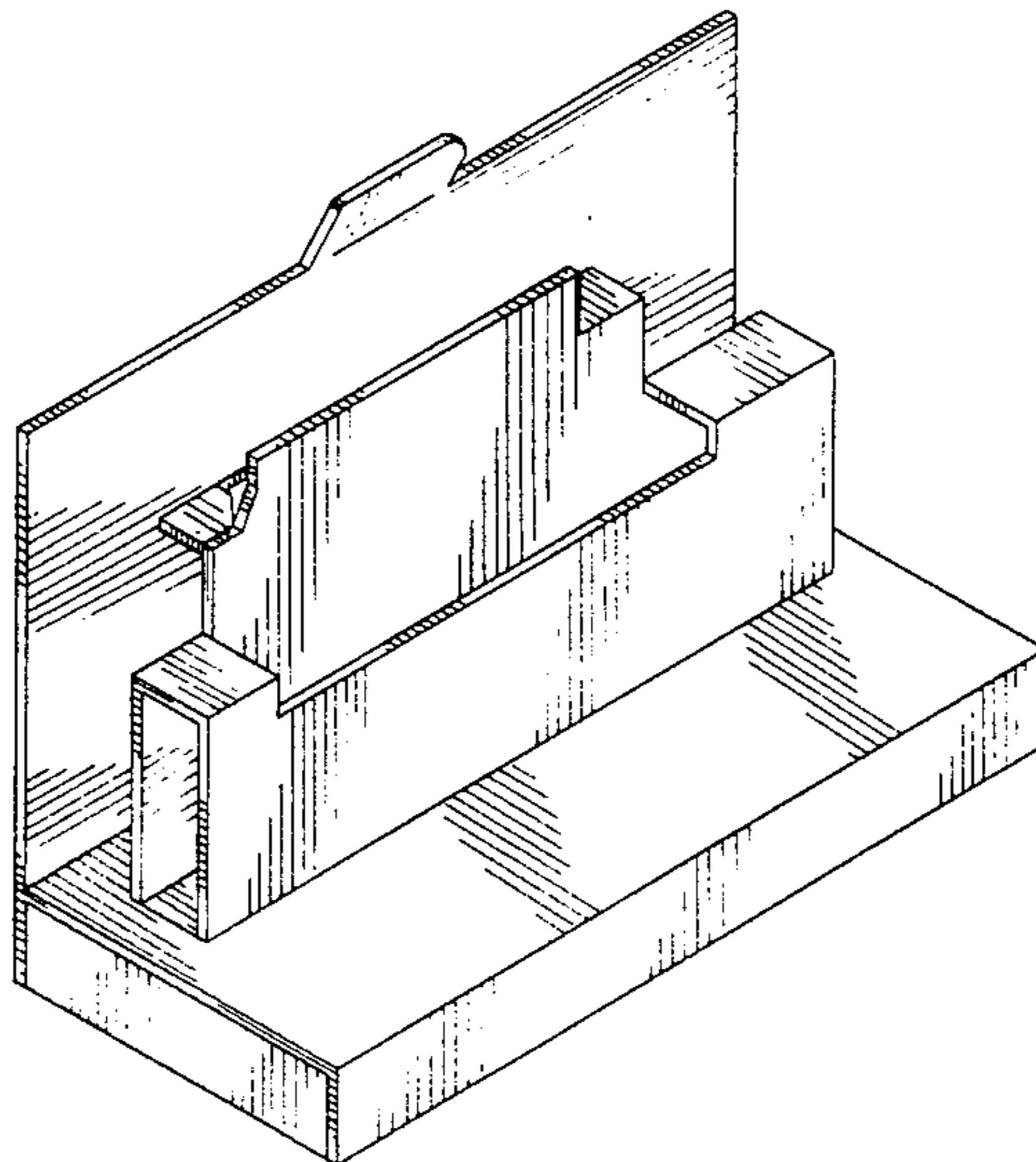
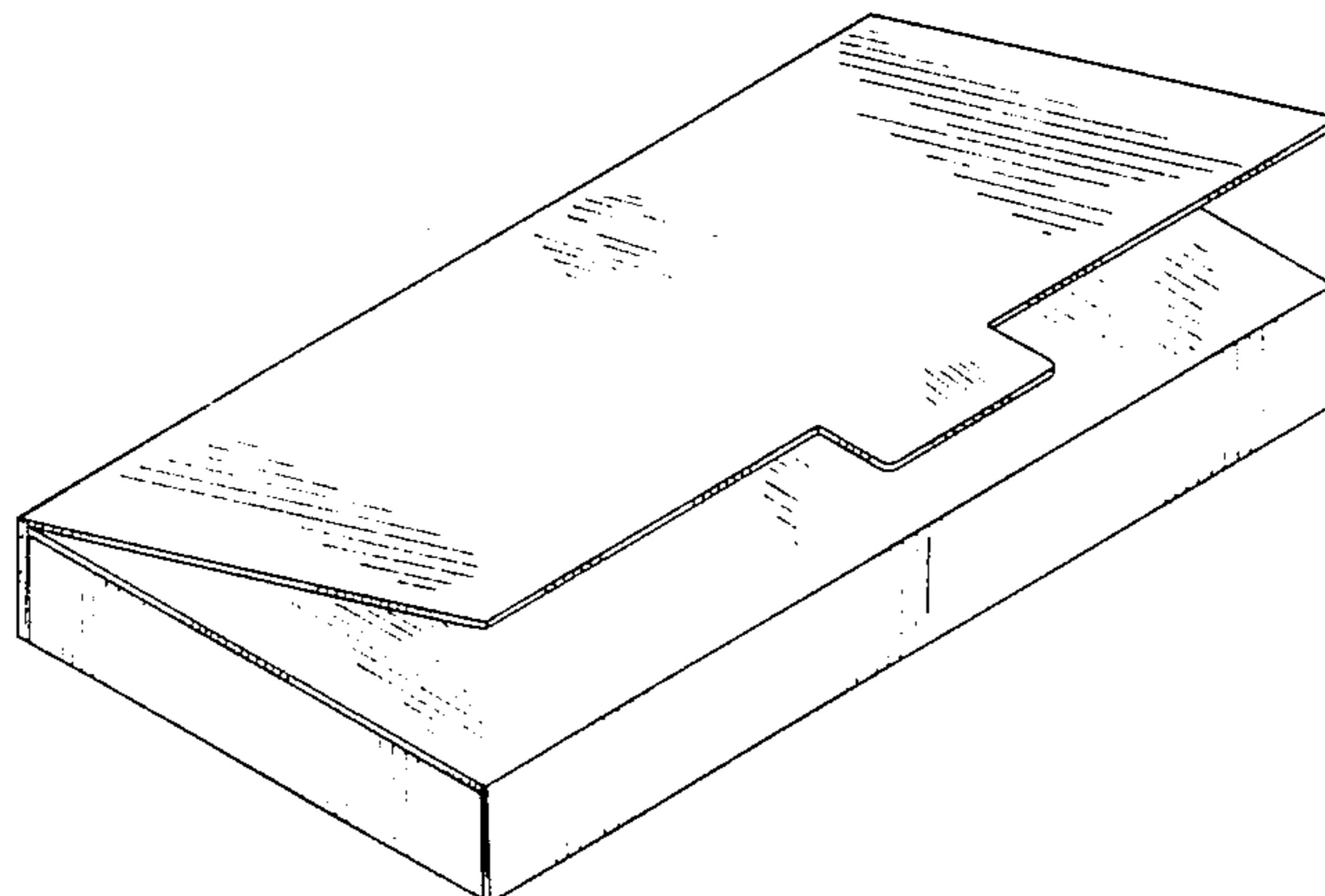
D. 263,794	4/1982	Yoshizawa	.....	D9/432
D. 271,161	11/1983	Compton	.....	D3/74 X
D. 275,654	9/1984	Yoshizawa	.....	D9/432
D. 279,355	6/1985	Ujie	.....	D9/432
D. 310,024	8/1990	Maschino	.....	D9/432 X
2,205,262	6/1940	Hayes	.....	446/147 X

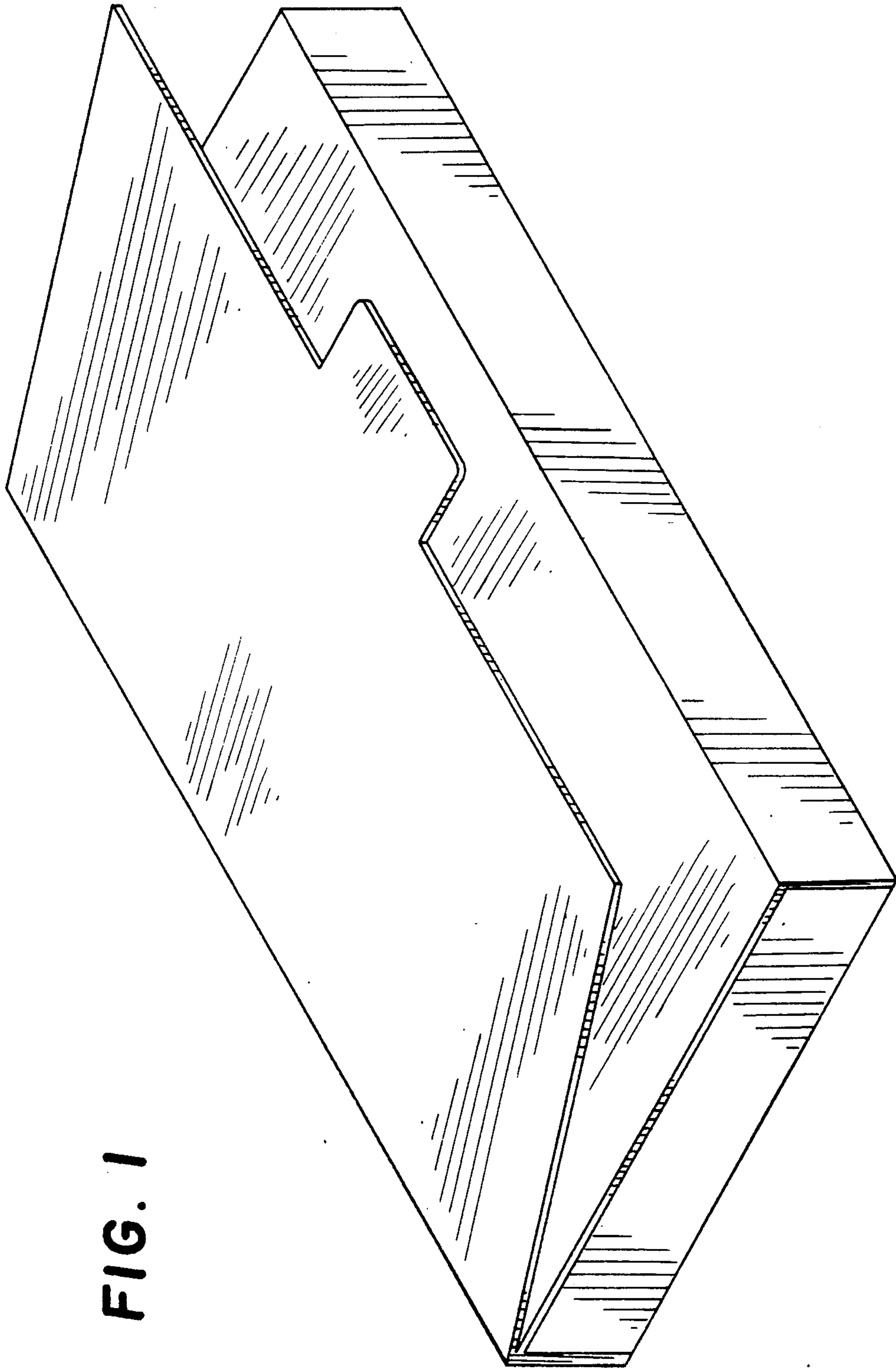
FIG. 1 is a perspective view of a combined video cassette container and greeting card showing my new design;

FIG. 2 is a perspective view thereof, in an open position;

FIG. 3 is a side view of FIG. 2, the opposite side being a mirror image; and,

FIG. 4 is an end view thereof, in an alternate open position, the opposite end being a mirror image.





**FIG. 1**

FIG. 2

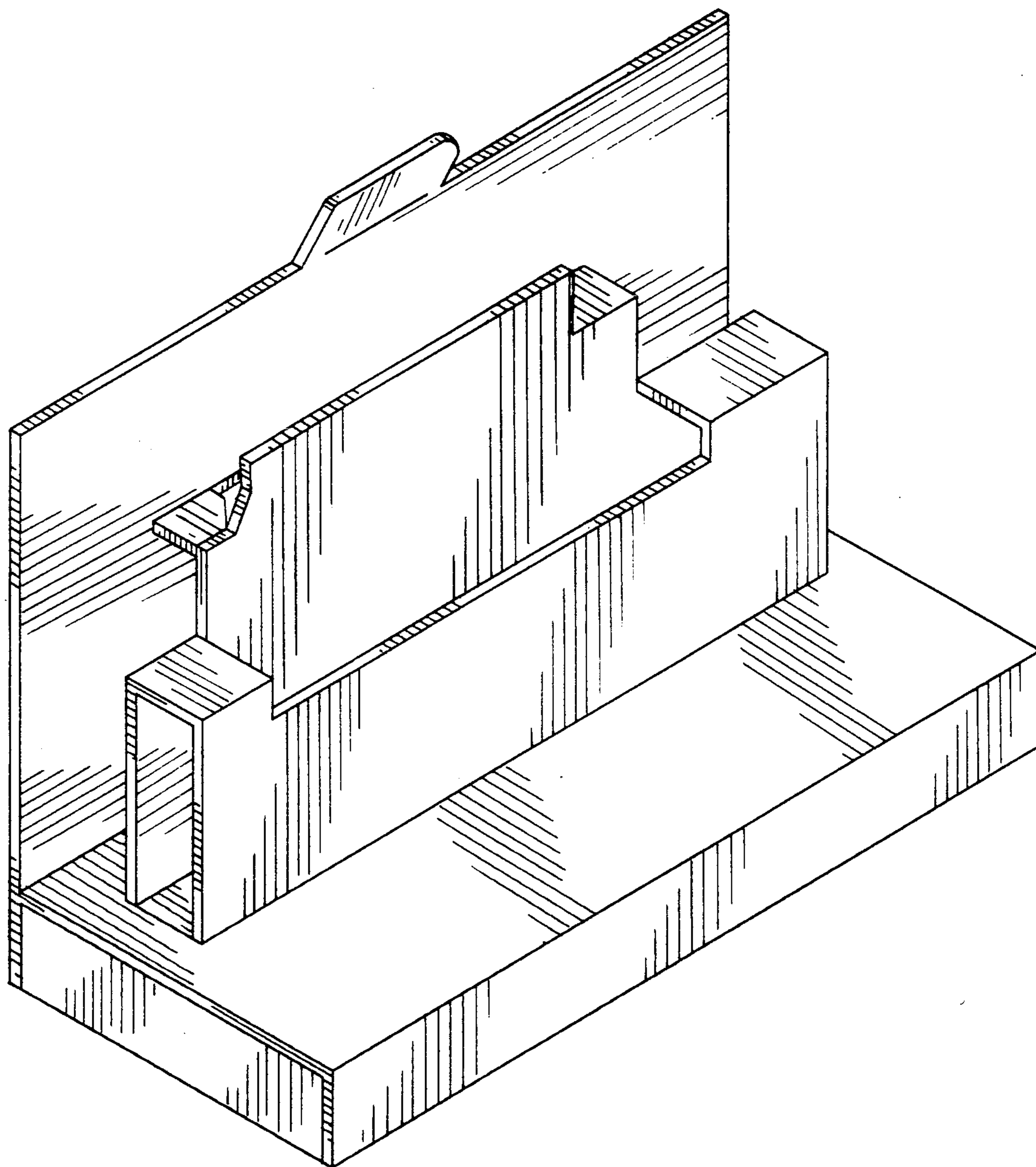


FIG. 3

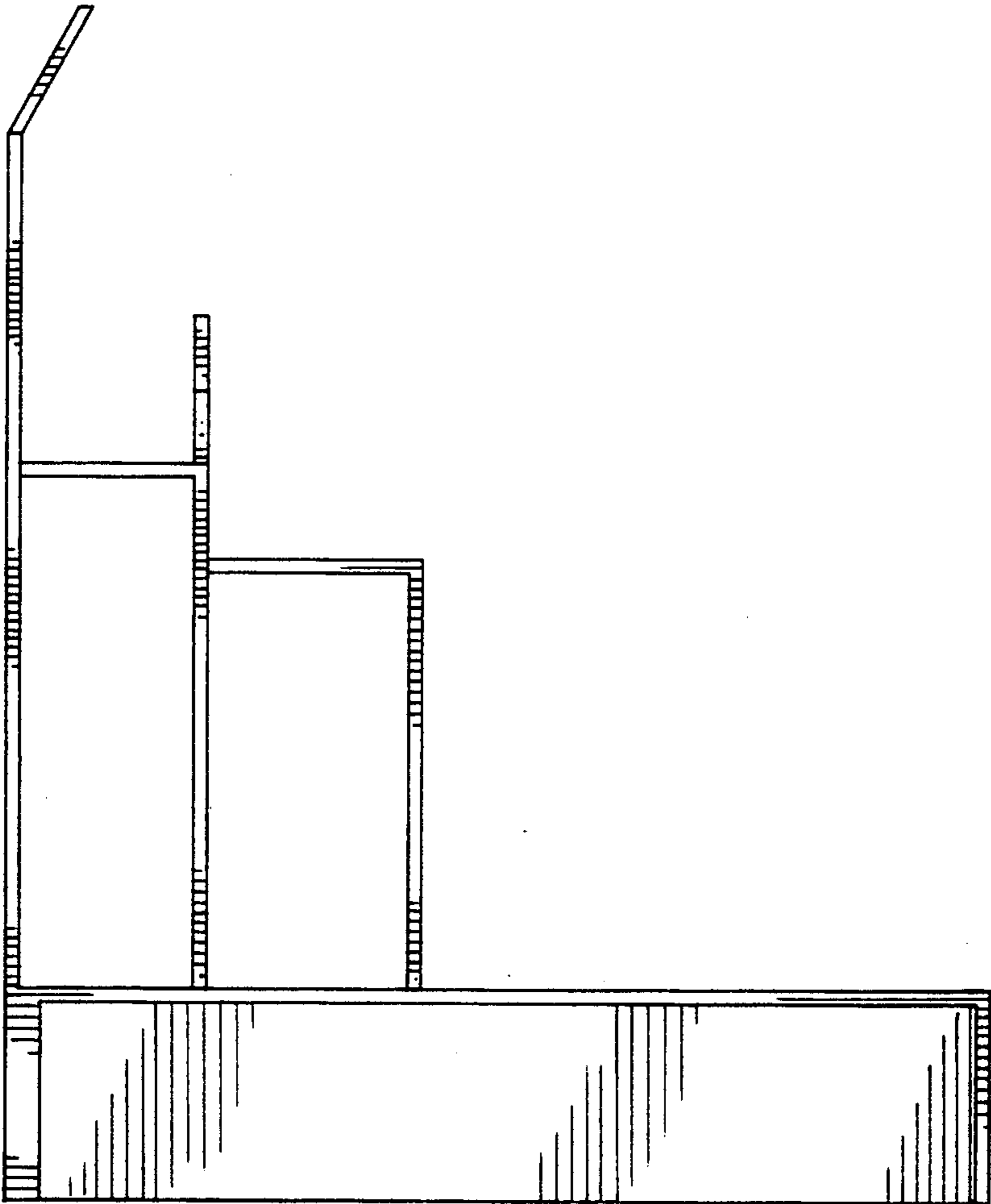


FIG. 4

