



US00D327003S

United States Patent [19]

Schneider et al.

[11] Patent Number: Des. 327,003

[45] Date of Patent: ** Jun. 16, 1992

[54] DISPENSING SPRAY CONTAINER

[75] Inventors: Bernard Schneider, Saint Menehould; Jean M. Mergui, Paris, both of France

[73] Assignee: Cebal, a French societe anonyme, Clichy, France

[**] Term: 14 Years

[21] Appl. No.: 758,712

[22] Filed: Sep. 9, 1991

Related U.S. Application Data

[62] Division of Ser. No. 344,846, Apr. 28, 1989, abandoned.

Foreign Application Priority Data

Oct. 28, 1988 [WO] World Int. Prop. O. ... DM/012 063
[52] U.S. Cl. D9/300; D9/302; D9/448
[58] Field of Search D9/300, 302, 306, 435, D9/448, 338; 222/92.94, 262, 335, 385, 405, 632, 635, 637; 229/333, 337, 383

[56] References Cited

U.S. PATENT DOCUMENTS

D. 188,397 7/1960 Hulsh D9/338

OTHER PUBLICATIONS

Aerosol Age; Feb. 1986; p. 9; Calmac Spray Head.
Aerosol Age; May 1986; p. 25; Gilbert Overcap; (bottom right).

Primary Examiner—Bernard Ansher
Assistant Examiner—Dominic Simone
Attorney, Agent, or Firm—Foley & Lardner

[57] CLAIM

The ornamental design for a dispensing spray container, as shown and described.

DESCRIPTION

FIG. 1 is a front elevational view of a dispensing spray container showing my new design;
FIG. 2 is an enlarged, right side perspective view thereof, the container partially broken away for ease of illustration;
FIG. 3 is an enlarged, front perspective view thereof, the container partially broken away for ease of illustration;
FIG. 4 is a top plan view thereof; and,
FIG. 5 is a bottom plan view thereof.

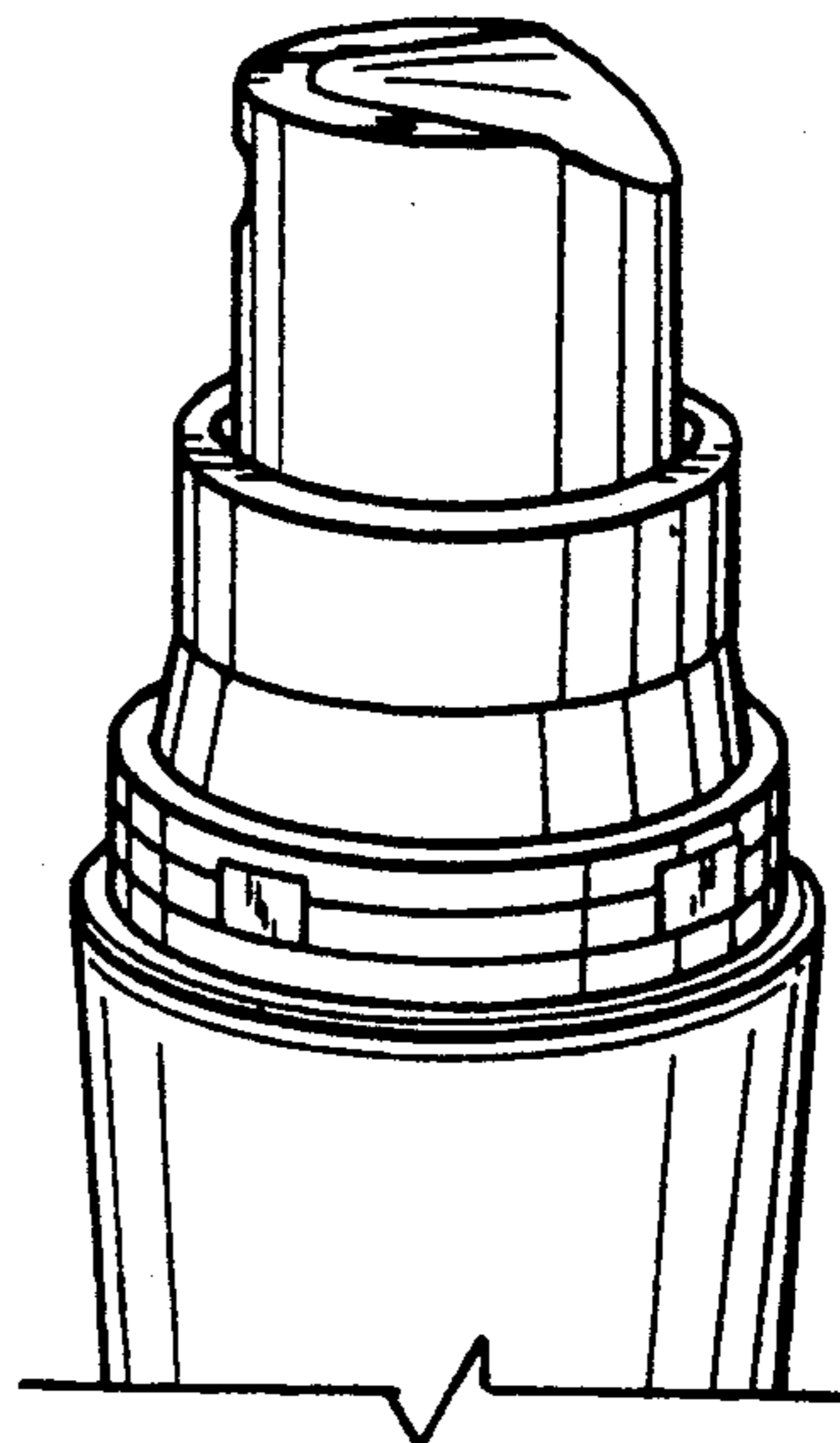
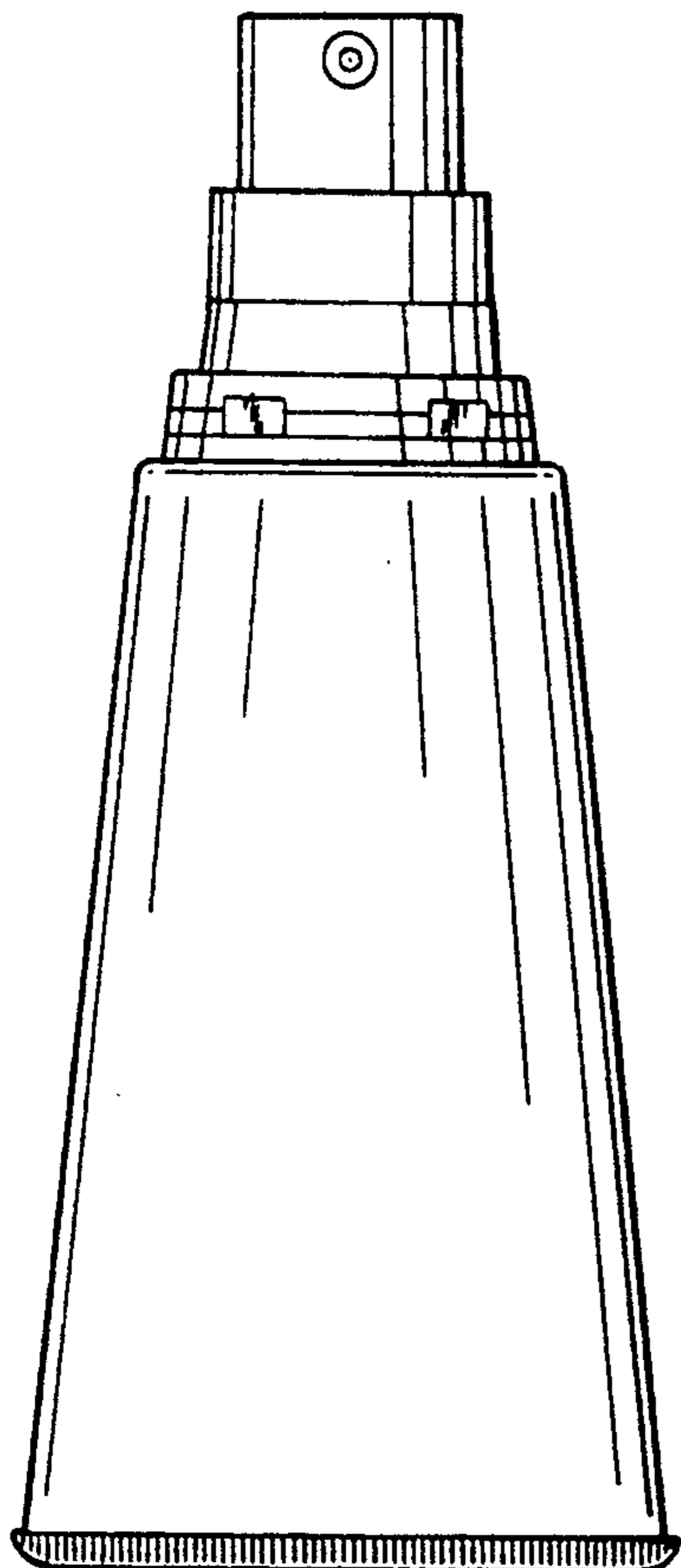


FIG. 1

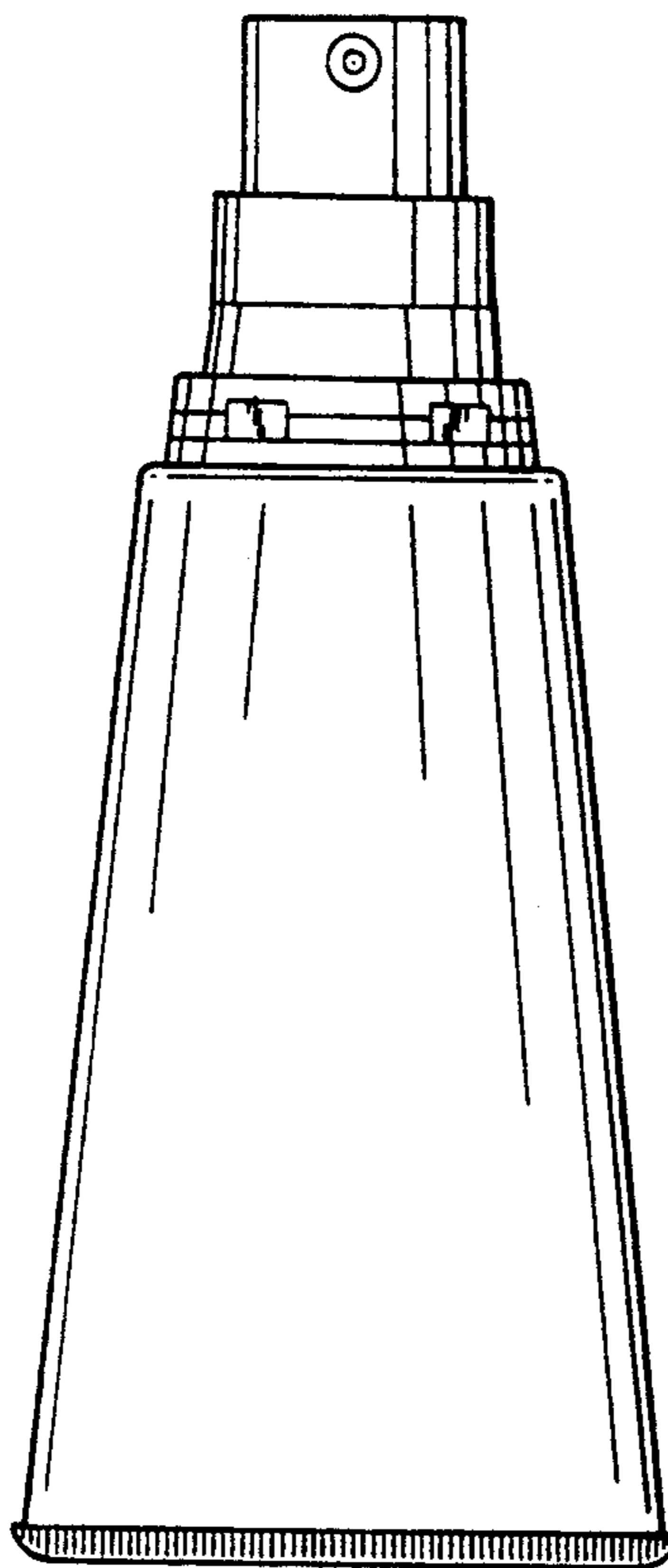


FIG. 2

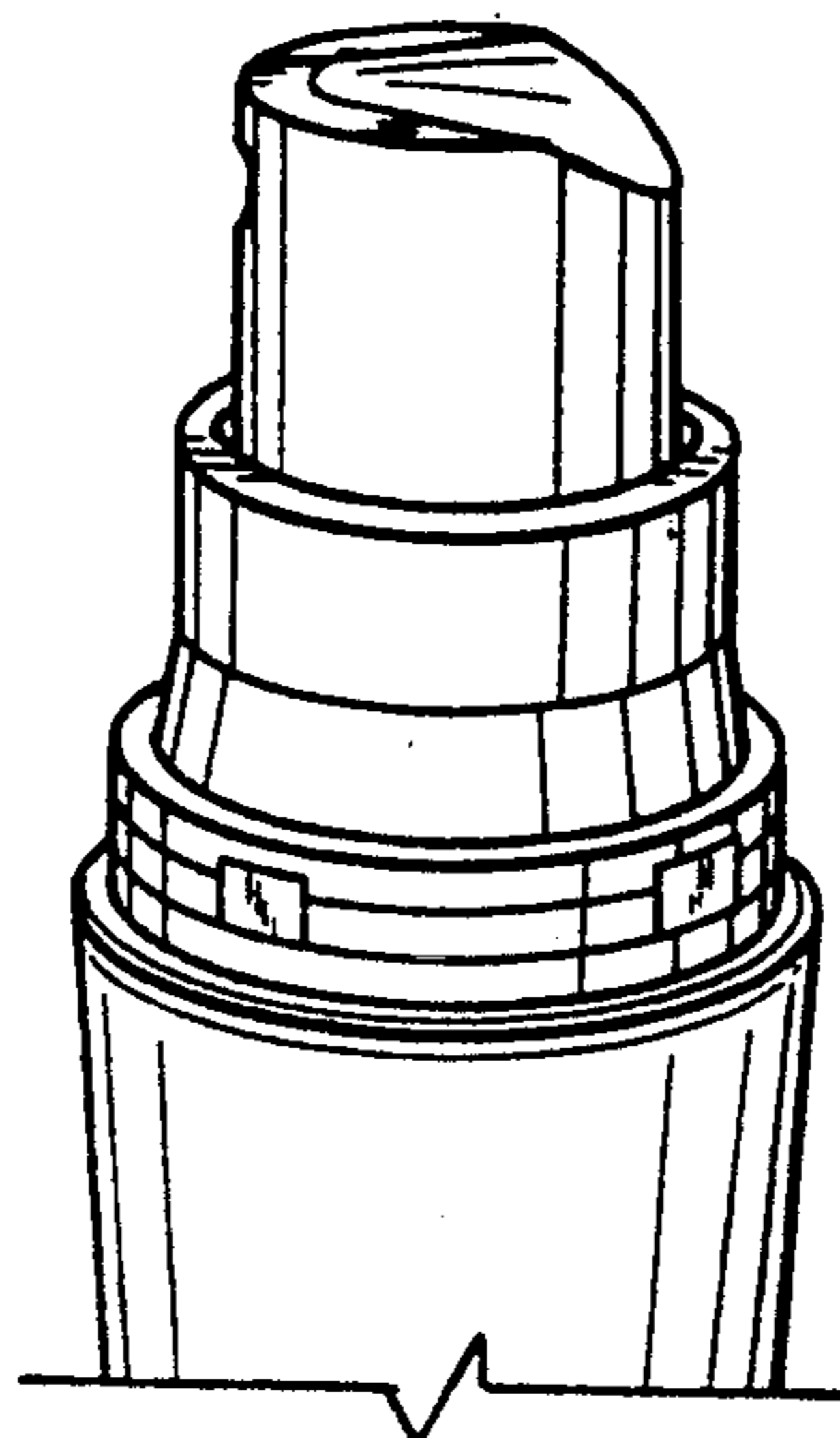


FIG. 3

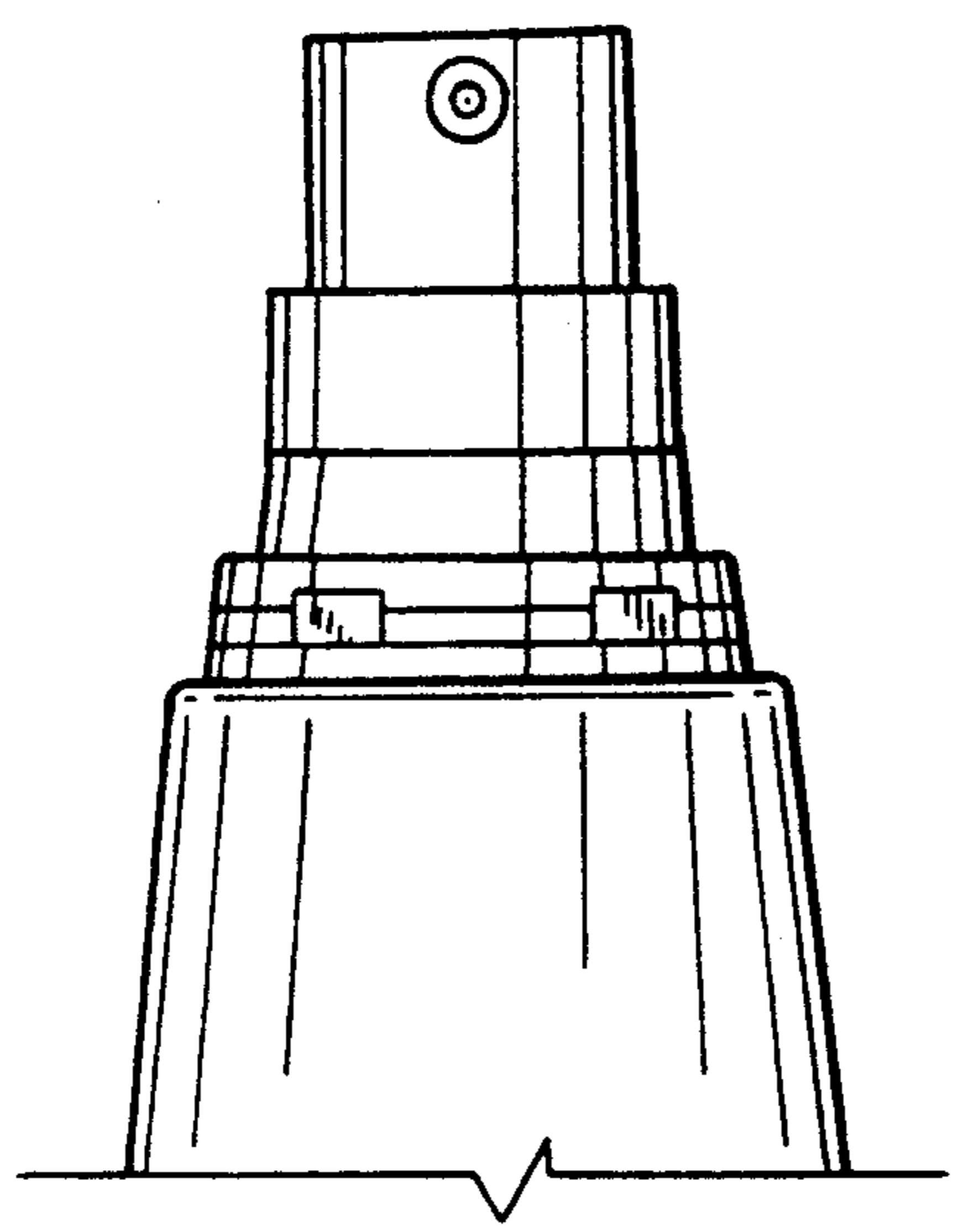


FIG. 4

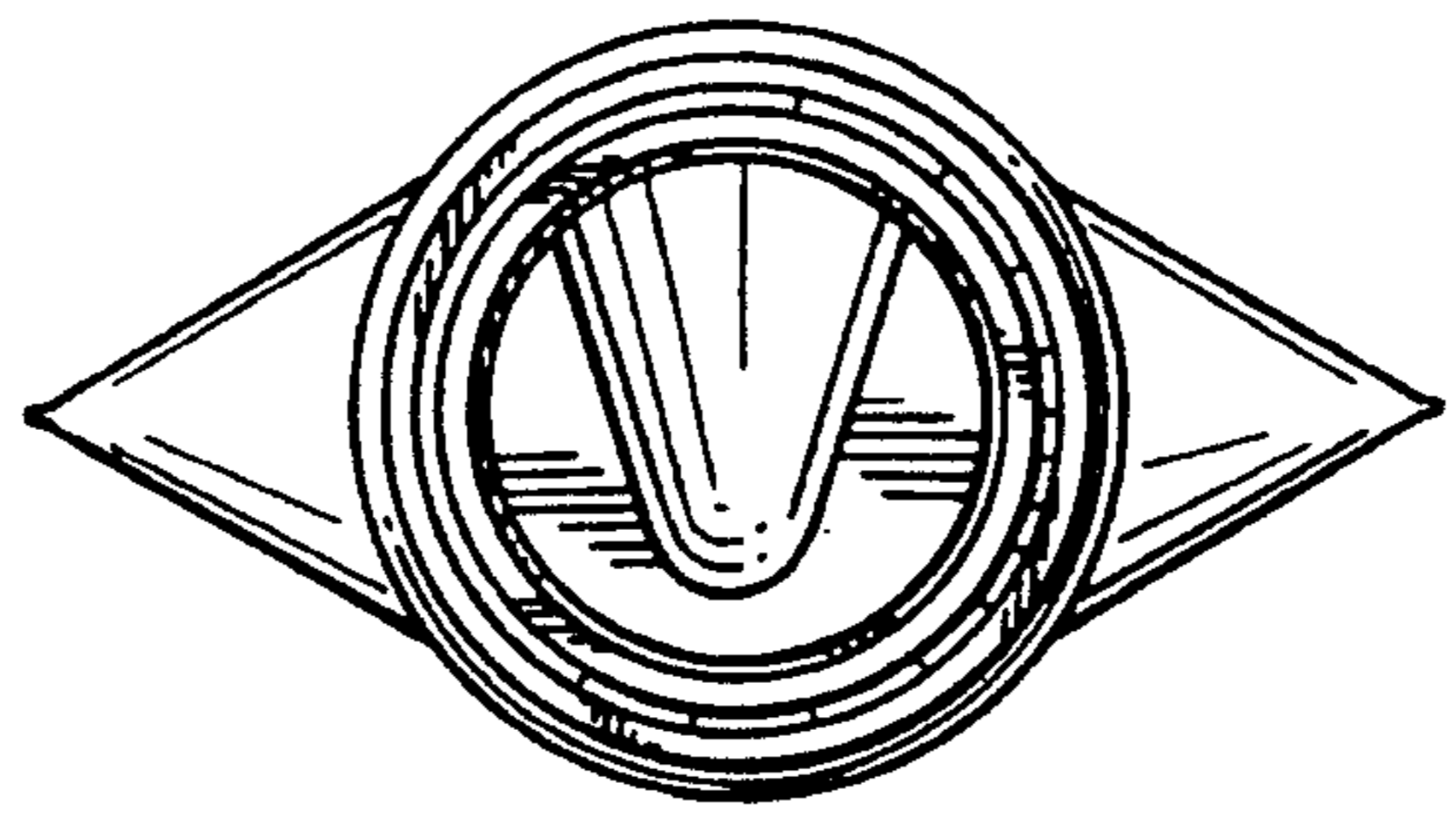


FIG. 5

