



US00D327001S

United States Patent [19]

[11] Patent Number: **Des. 327,001**

Oosterhuis

[45] Date of Patent: **** Jun. 16, 1992**

[54] **BRASS BED BRACKET**

3,740,776	6/1973	Lazarus	5/304 X
3,760,437	9/1973	Hooker	5/282.1 X
4,501,033	2/1985	Kessel et al.	5/282.1 X
4,827,543	5/1989	Castiglioni	5/282.1 X

[75] Inventor: **Ralph T. Oosterhuis, 15 Gatewood Court, Richmond Hill, Ontario L4B 2L6, Canada**

FOREIGN PATENT DOCUMENTS

[73] Assignee: **Ralph T. Oosterhuis, Richmond Hill, Canada**

0965137	9/1950	France	5/282.1
1099248	8/1955	France	5/282.1
164798	6/1921	United Kingdom	5/304

[**] Term: **14 Years**

Primary Examiner—Horace B. Fay, Jr.
Attorney, Agent, or Firm—Hughes, Etigson

[21] Appl. No.: **407,786**

[57] CLAIM

[22] Filed: **Sep. 15, 1989**

The ornamental design for a brass bed bracket, as shown and described.

[52] U.S. Cl. **D8/373**

[58] Field of Search **D8/373; 5/282.1, 304; 52/732, 639; D6/382, 50.3**

DESCRIPTION

[56] References Cited

U.S. PATENT DOCUMENTS

D. 312,039	11/1990	Smith	D8/373
D. 314,326	2/1991	Sachs	D8/373
D. 315,289	3/1991	Rankin	D8/373
665,367	1/1901	Frank	5/304
1,136,010	4/1915	Hendricks et al.	5/282 X
1,529,653	3/1925	Hooke	5/304 X
3,408,665	11/1968	Harris	5/304

FIG. 1 is a right side elevational view of a brass bed bracket showing my new design, the side opposite thereof being a mirror image;
FIG. 2 is a front, top and right side perspective view of the first embodiment, the side 180 degrees opposite to this view being a mirror image; and,
FIG. 3 is a front, top and right side perspective view of a second embodiment thereof, the 180 degrees view of the side thereto being a mirror image.

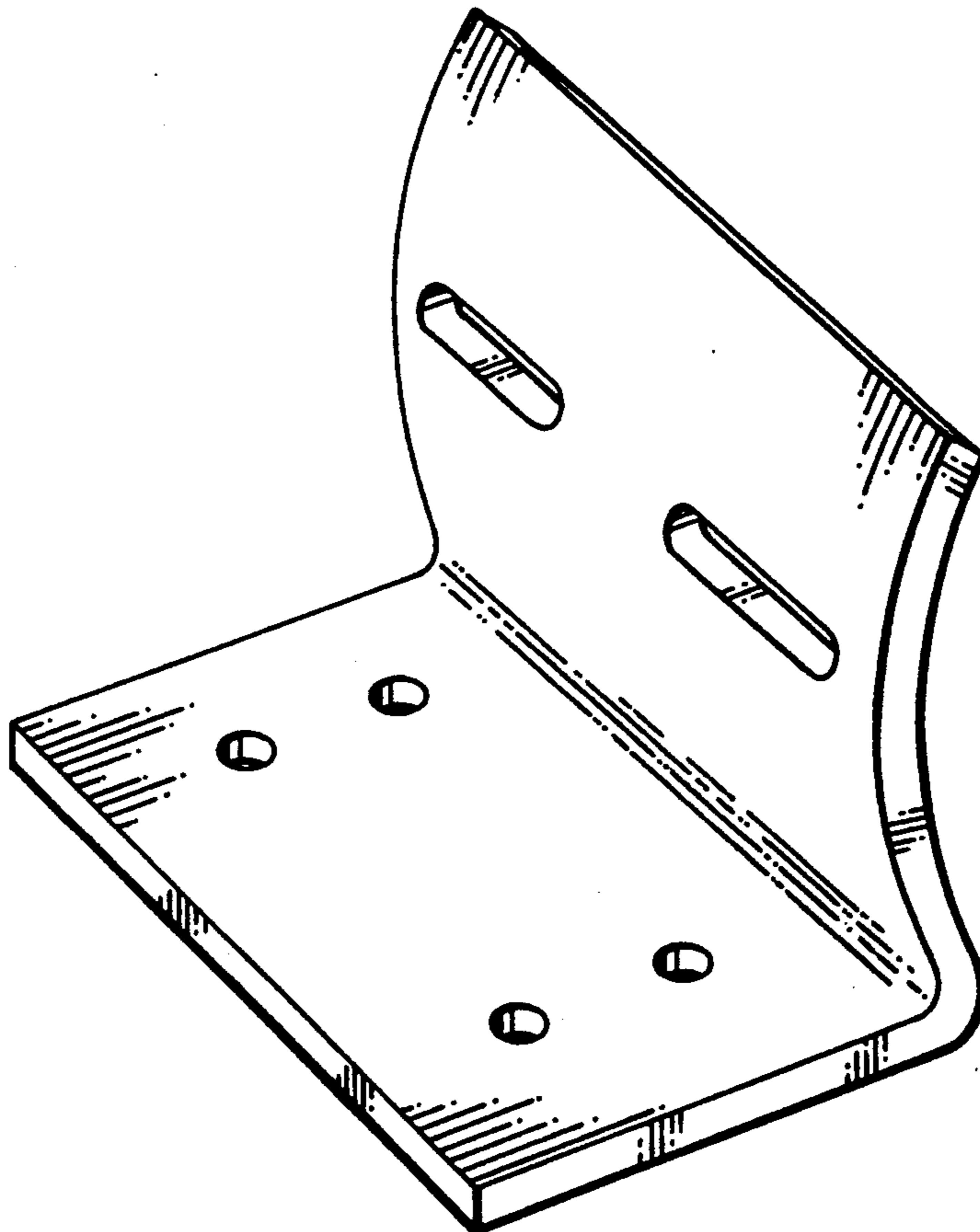


FIG.1.

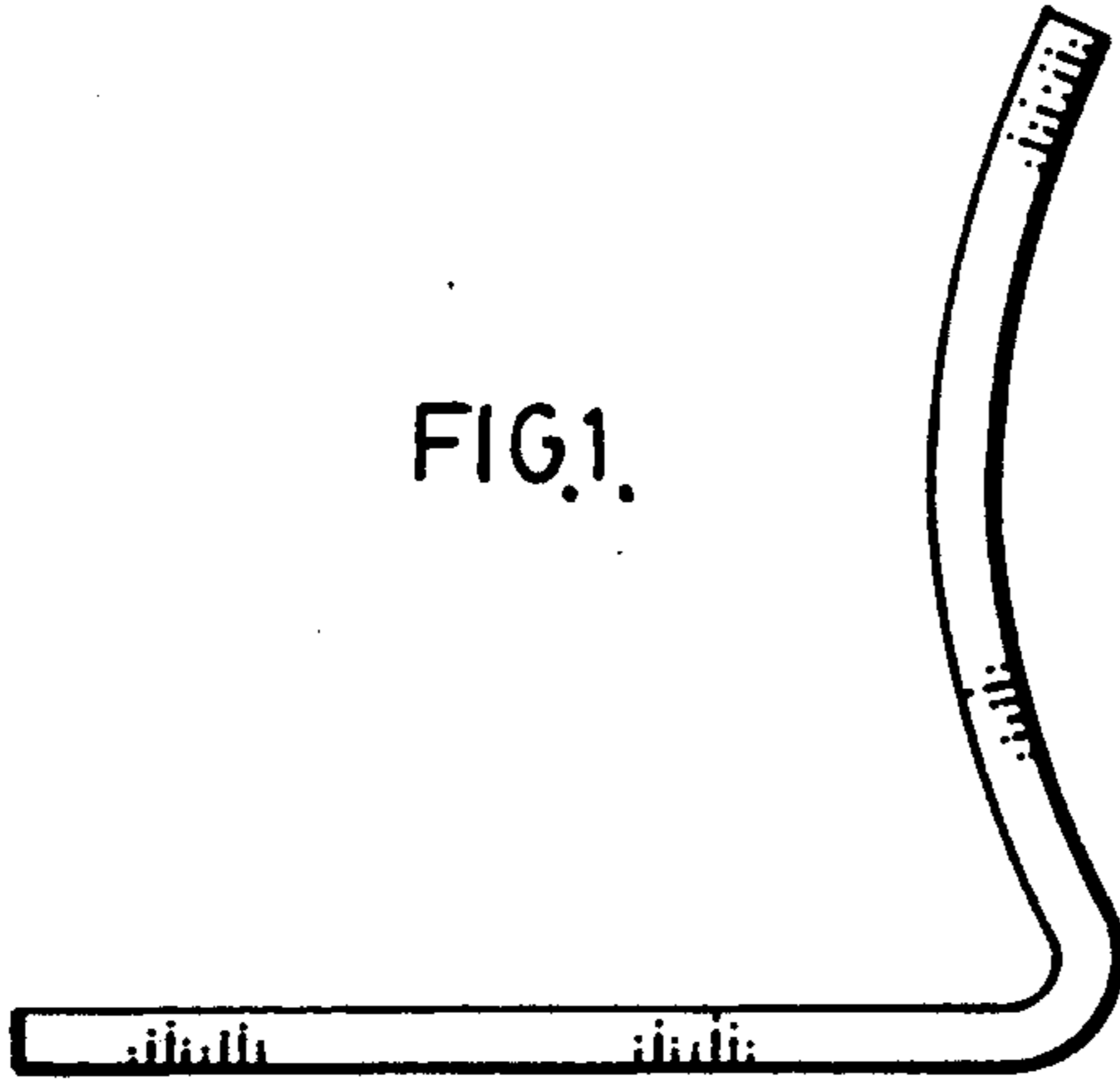


FIG.2.

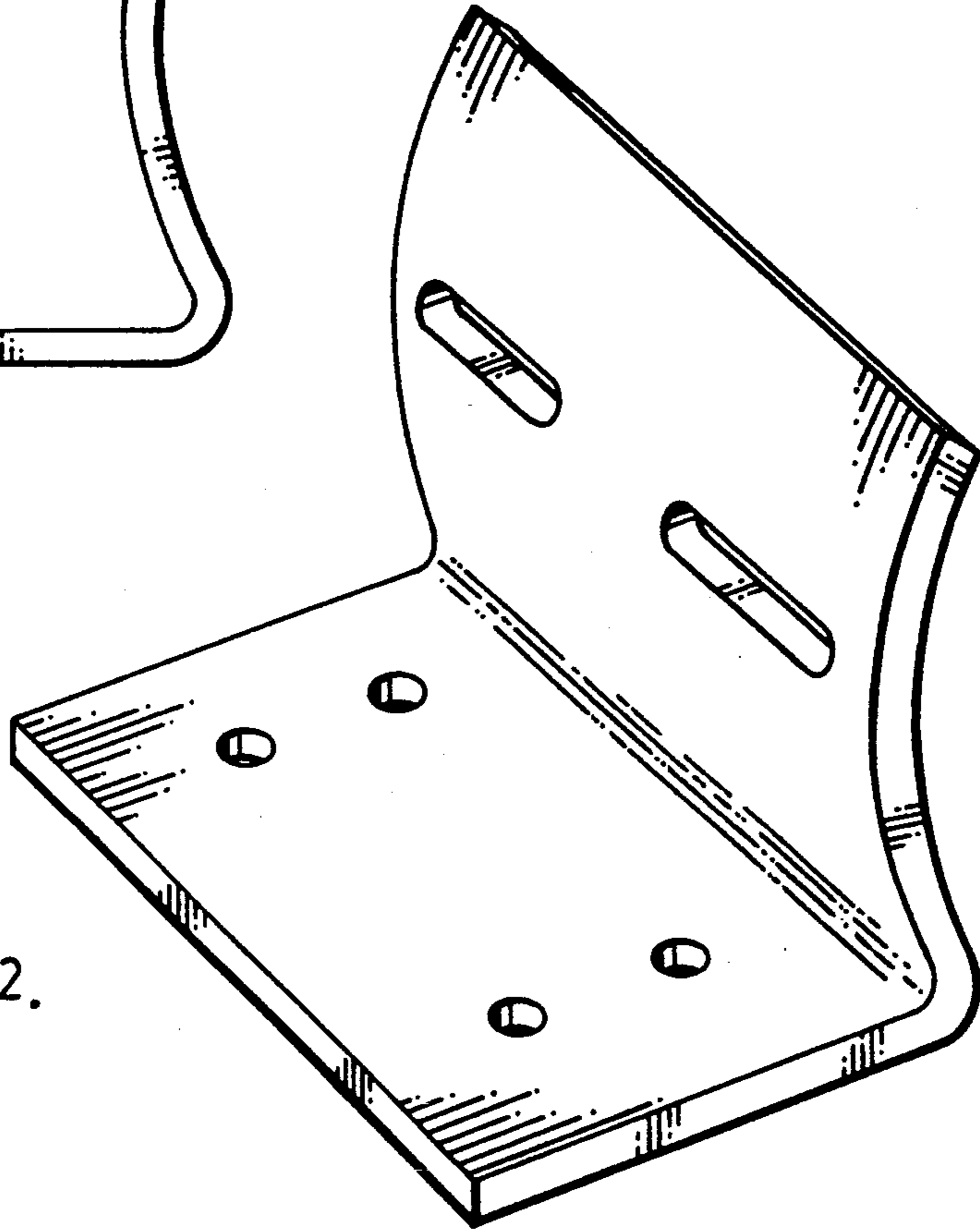


FIG.3.

