



US00D326999S

# United States Patent [19]

[11] Patent Number: **Des. 326,999**

Johnson et al.

[45] Date of Patent: **\*\* Jun. 16, 1992**

[54] **CABLE STACKING DEVICE**

[75] Inventors: **Thomas P. Johnson; John L. Zeurcher**, both of Austin; **Claudio A. Grubicy**, Cedar Park, all of Tex.

[73] Assignee: **Minnesota Mining and Manufacturing Company**, St. Paul, Minn.

[\*\*] Term: **14 Years**

[21] Appl. No.: **588,298**

[22] Filed: **Sep. 25, 1990**

[52] U.S. Cl. .... **D8/356**

[58] Field of Search ..... **D8/356, 354, 349, 357, D8/395-396; 248/74.2, 68.1, 74.4, 73; 24/16 PB, 127, 129 R, 129 A**

[56] **References Cited**

**U.S. PATENT DOCUMENTS**

D. 207,057	2/1967	Palmer	.....	D26/10
D. 297,110	8/1988	Zagorski	.....	D8/348
4,660,790	4/1987	Muz	.....	248/68.1
4,903,920	2/1990	Merritt	.....	248/71

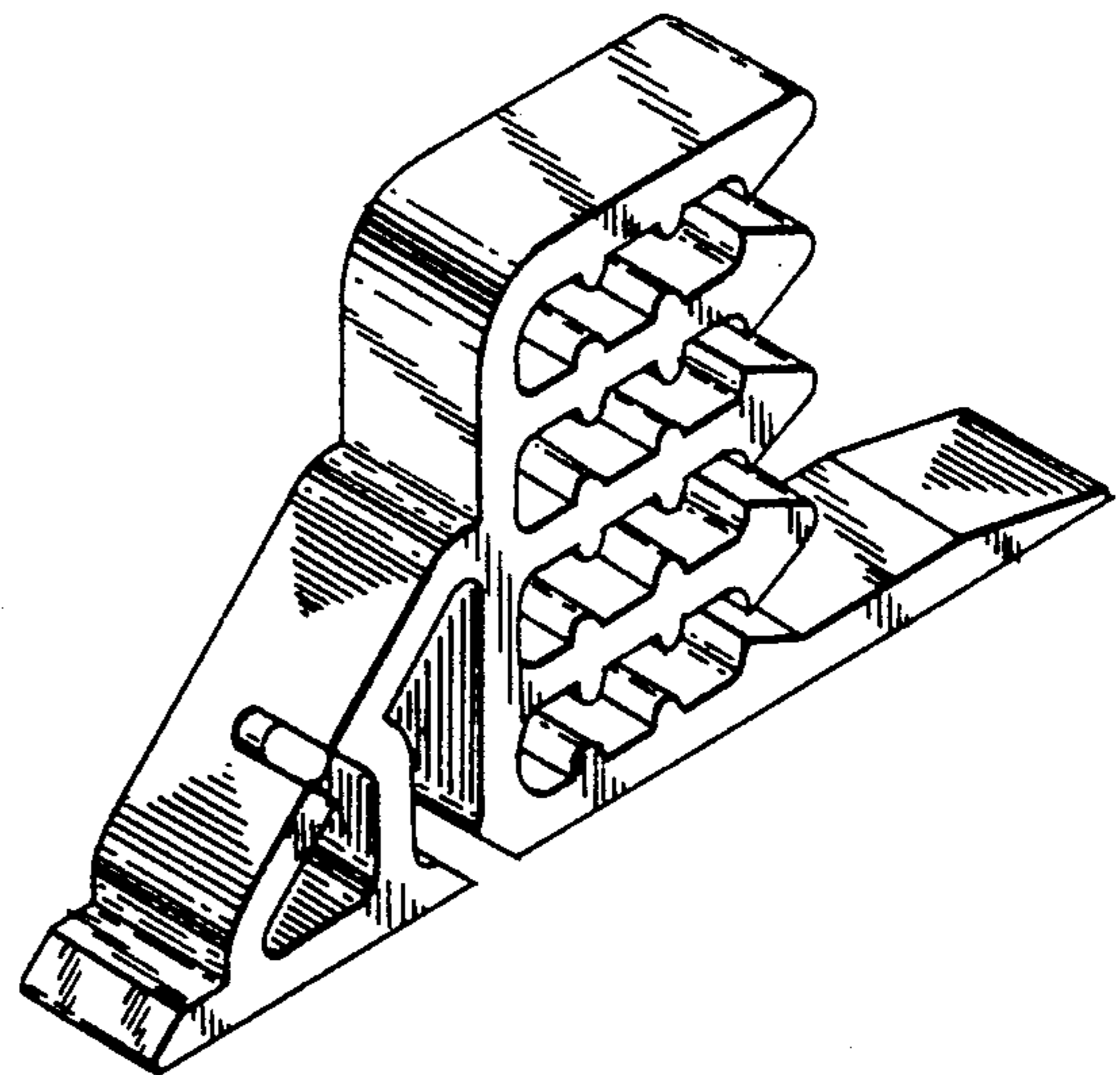
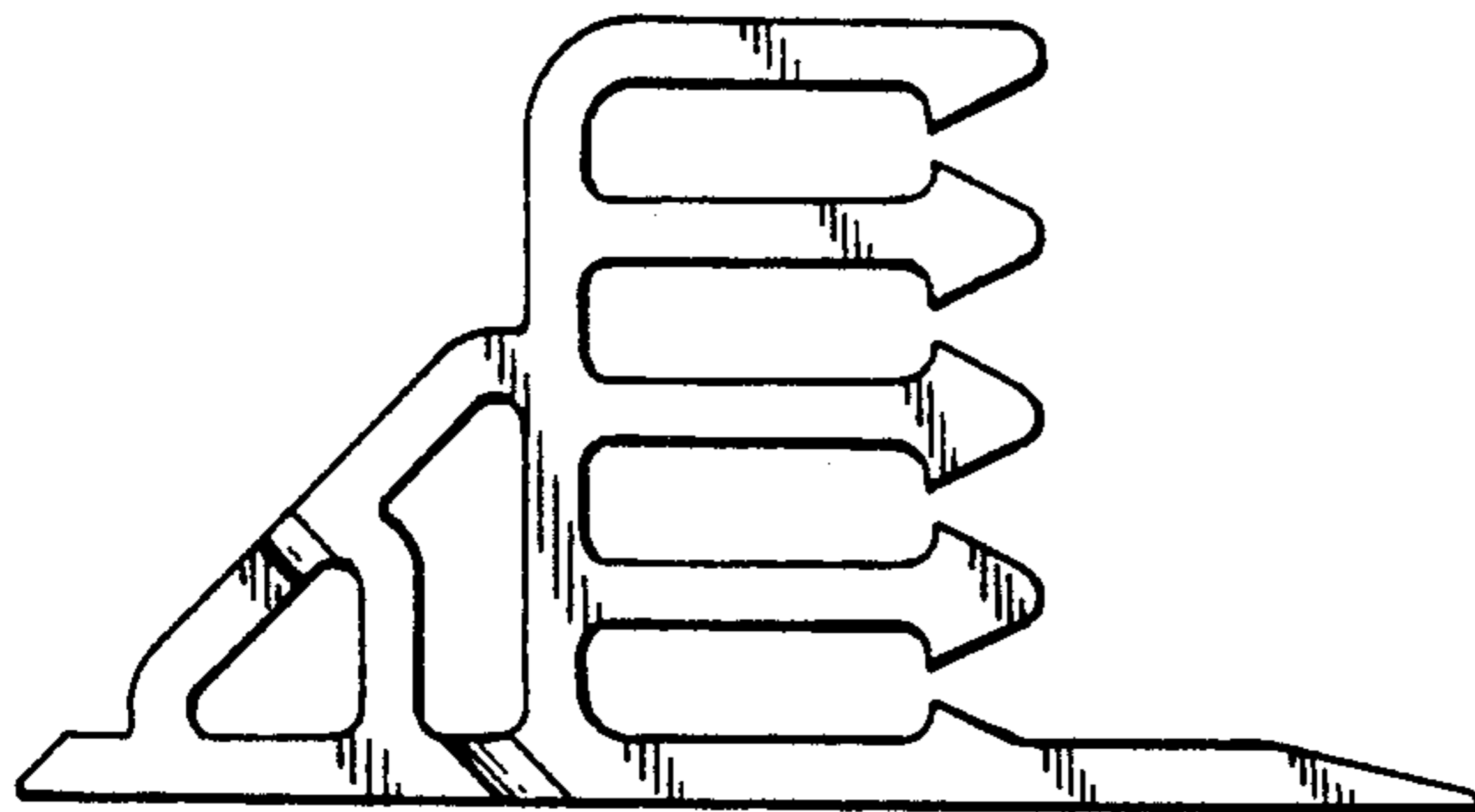
*Primary Examiner*—Wallace R. Burke  
*Assistant Examiner*—H. Baynham  
*Attorney, Agent, or Firm*—Gary L. Griswold; Walter N. Kirn; John C. Barnes

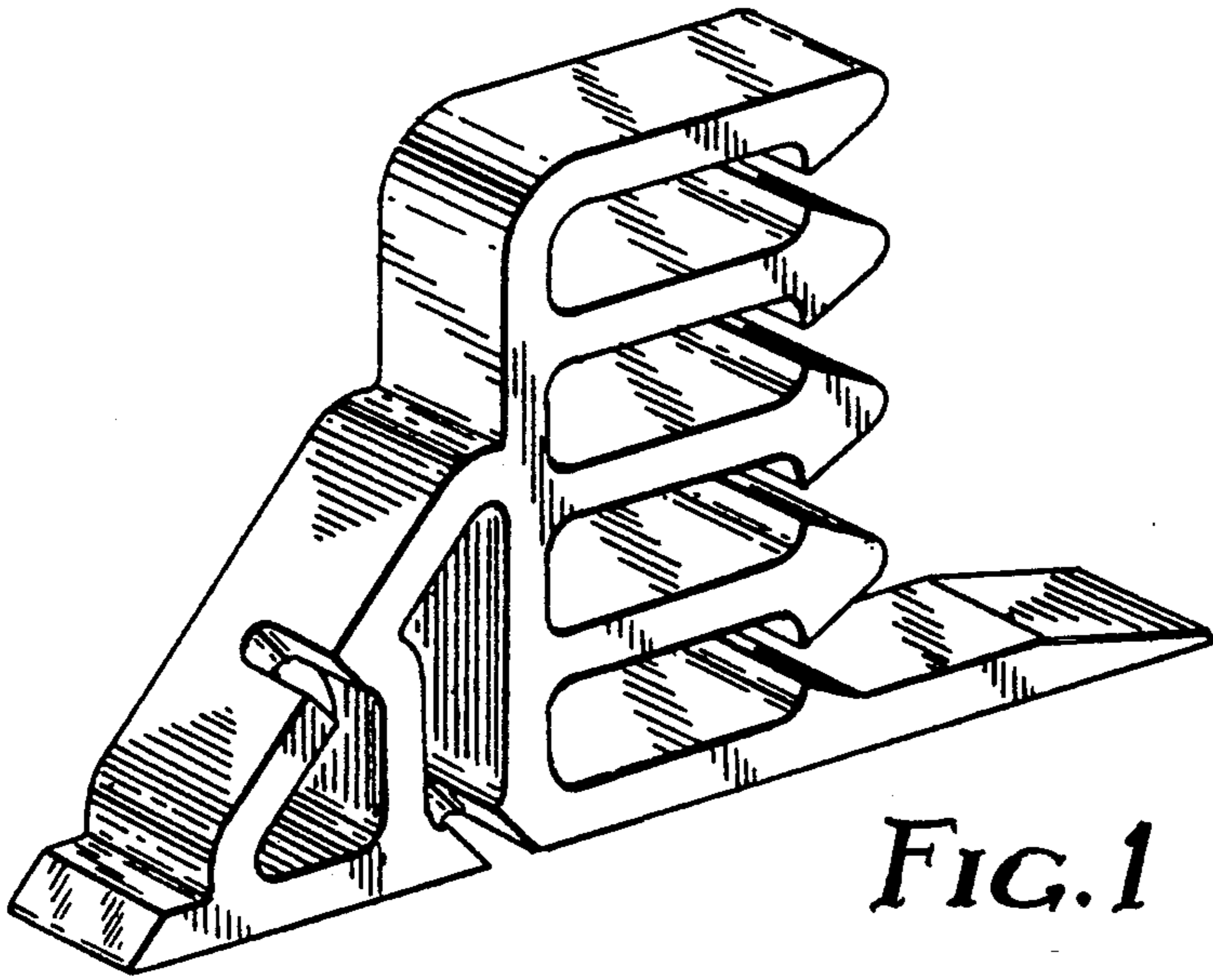
[57] **CLAIM**

The ornamental design for a cable stacking device, as shown and described.

**DESCRIPTION**

FIG. 1 is a perspective view showing the top, front, and left side of a cable stacking device, showing the new design;  
FIG. 2 is a front elevational view thereof;  
FIG. 3 is a rear elevational view thereof;  
FIG. 4 is a left side elevational view thereof;  
FIG. 5 is a right side elevational view thereof;  
FIG. 6 is a top plan view thereof;  
FIG. 7 is a bottom plan view thereof;  
FIG. 8 is a perspective view of a second embodiment of the design shown in FIG. 1;  
FIG. 9 is a rear elevational view thereof; and,  
FIG. 10 is a front elevational view thereof.  
The left side, right side, top and bottom of the second embodiment correspond to FIGS. 4, 5, 6 and 7.

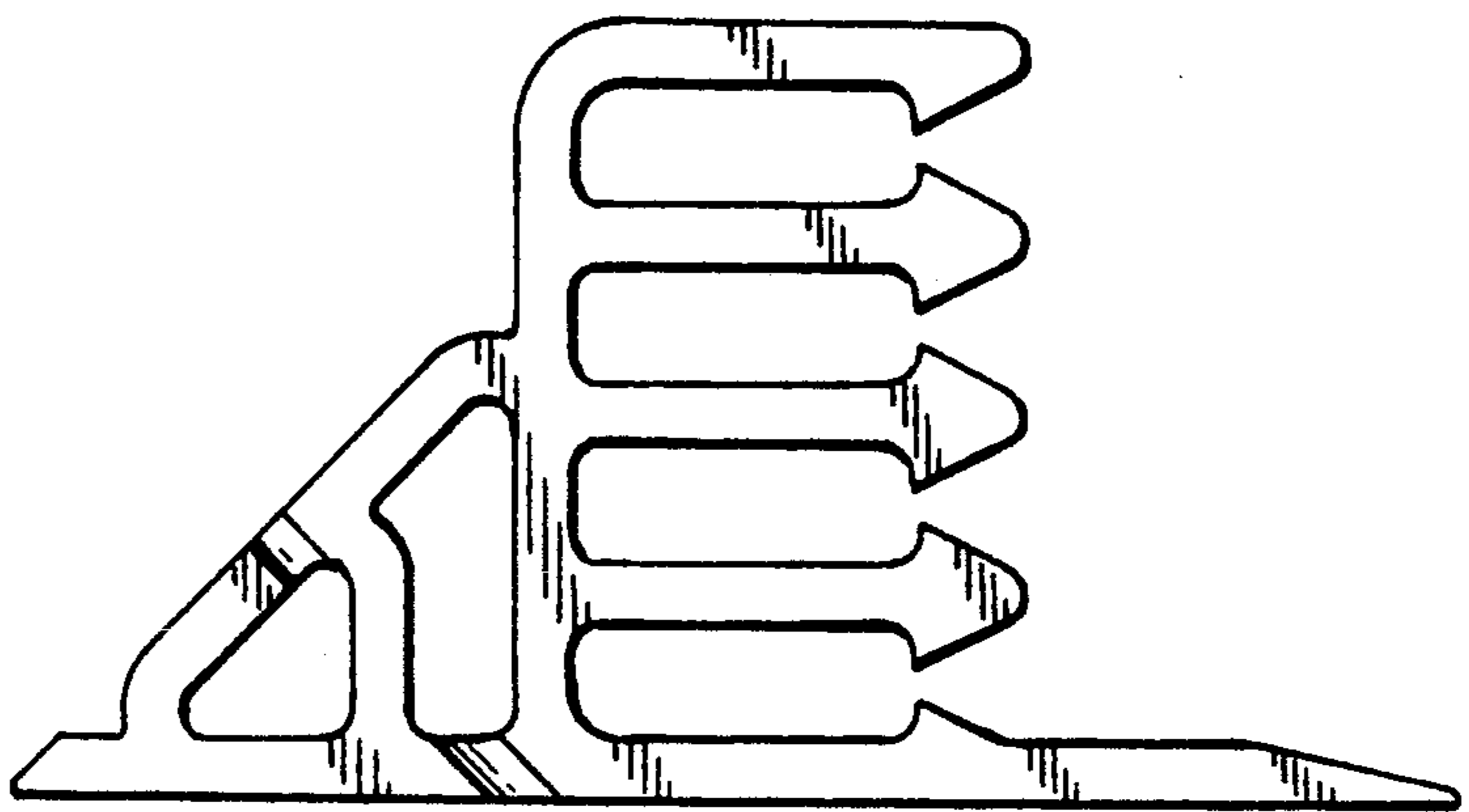




*FIG. 1*



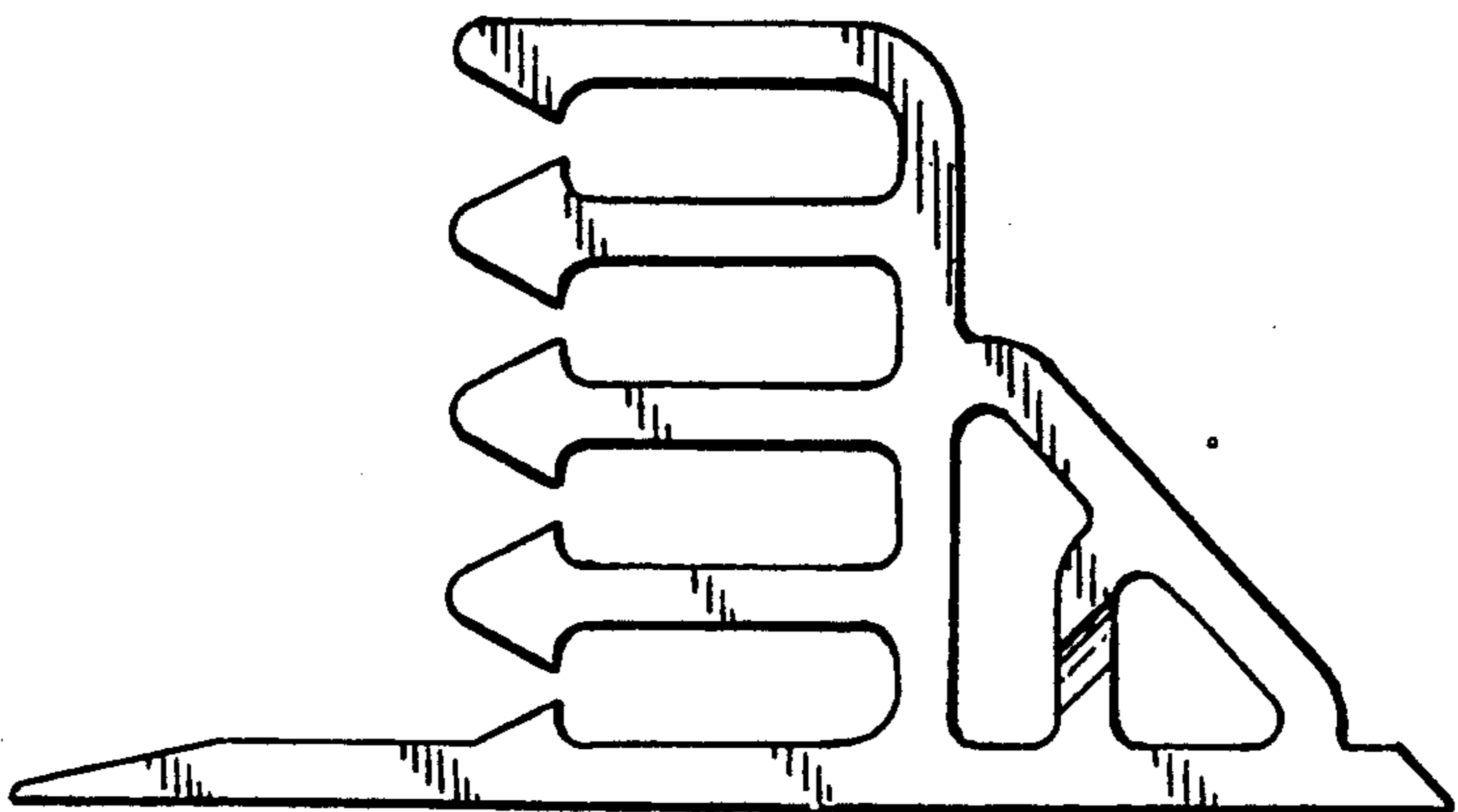
*FIG. 4*



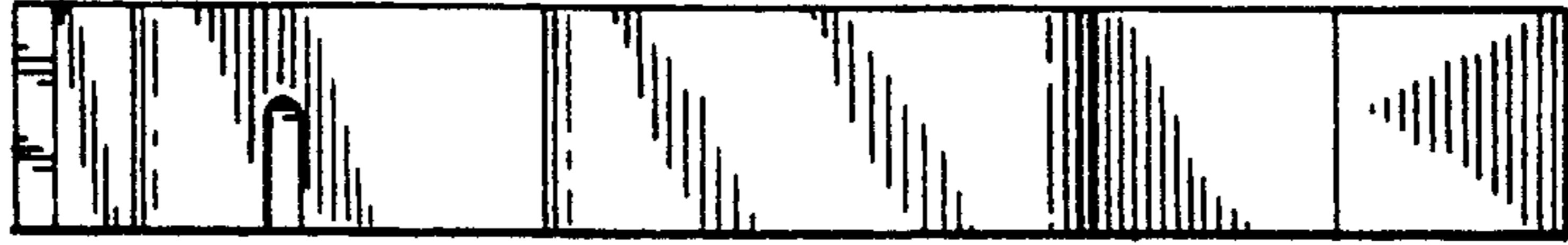
*FIG. 2*



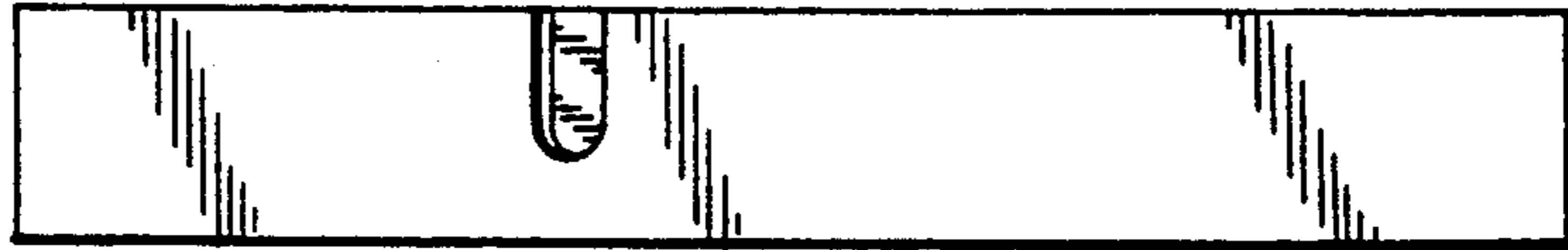
*FIG. 5*



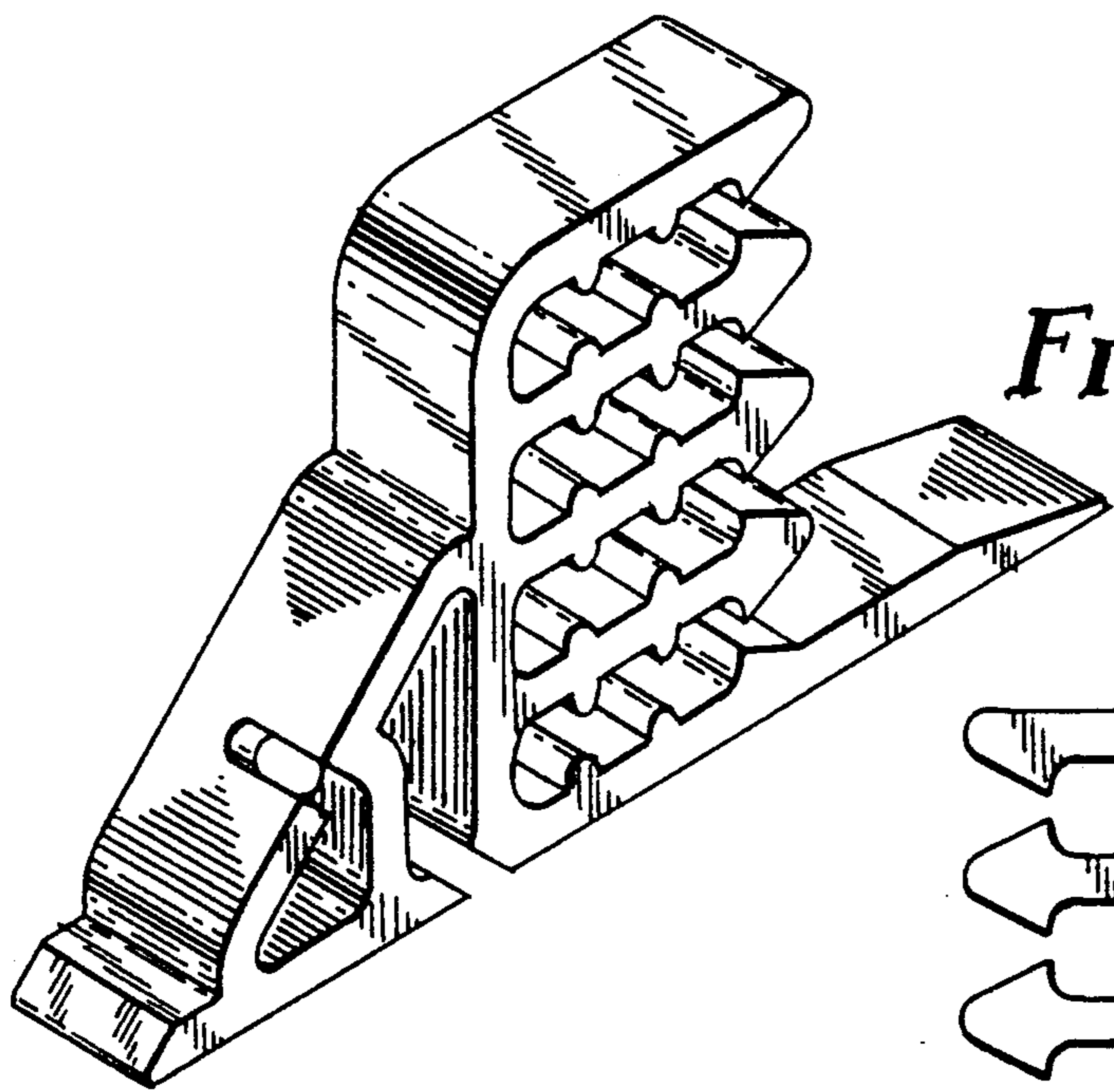
*FIG. 3*



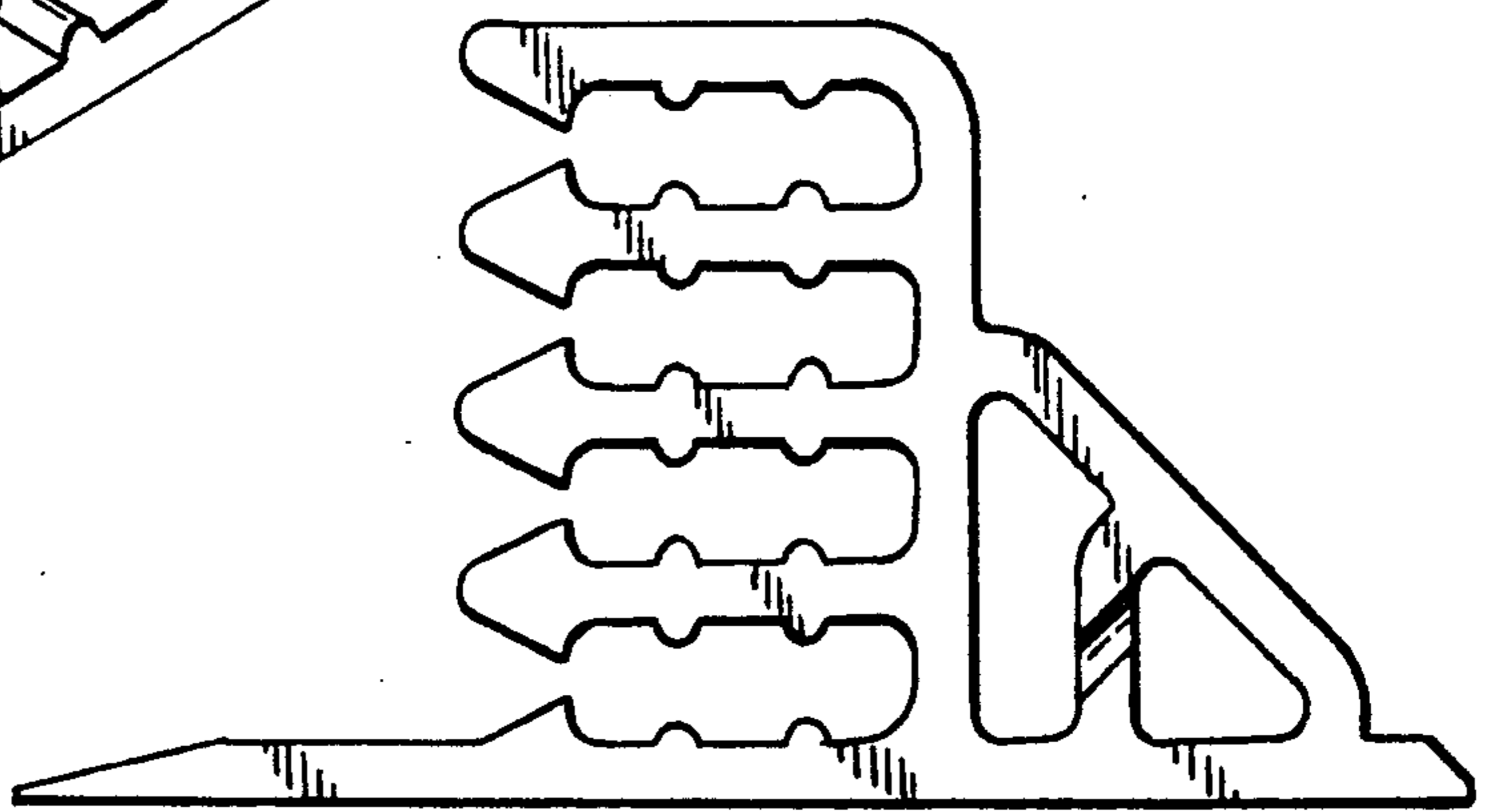
*FIG. 6*



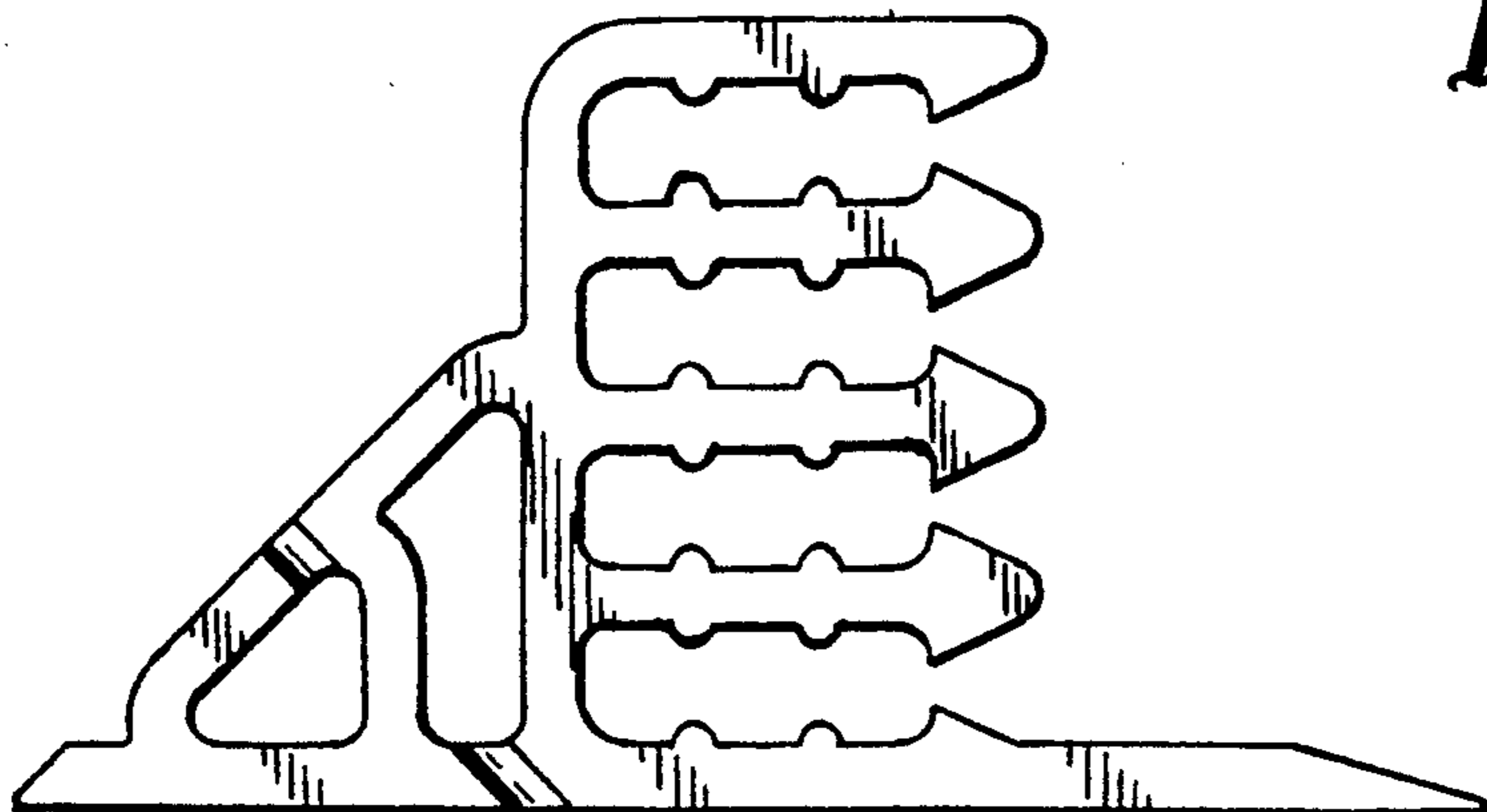
*FIG. 7*



*FIG. 8*



*FIG. 9*



*FIG. 10*