



US00D326997S

United States Patent [19]

[11] Patent Number: **Des. 326,997**

Clayton

[45] Date of Patent: **** Jun. 16, 1992**

[54] **BACKPLATE**

[75] Inventor: **LaVerne E. Clayton, Rockford, Ill.**

[73] Assignee: **Amerock Corporation, Rockford, Ill.**

[**] Term: **14 Years**

[21] Appl. No.: **491,608**

[22] Filed: **Mar. 12, 1990**

[52] U.S. Cl. **D8/350; D8/352**

[58] Field of Search **D8/350, 352; 292/357**

[56] **References Cited**

U.S. PATENT DOCUMENTS

- D. 173,849 1/1955 Ohno D8/352
- D. 185,005 4/1959 Kubota D8/350
- D. 191,536 10/1961 Denker D8/353
- D. 224,776 9/1972 Tegner .

D. 236,947 9/1975 Palm, Jr. .

D. 246,503 11/1977 Clayton D8/352

Primary Examiner—**B. J. Bullock**

Attorney, Agent, or Firm—**Leydig, Voit & Mayer**

[57] **CLAIM**

The ornamental design for a backplate, as shown and described.

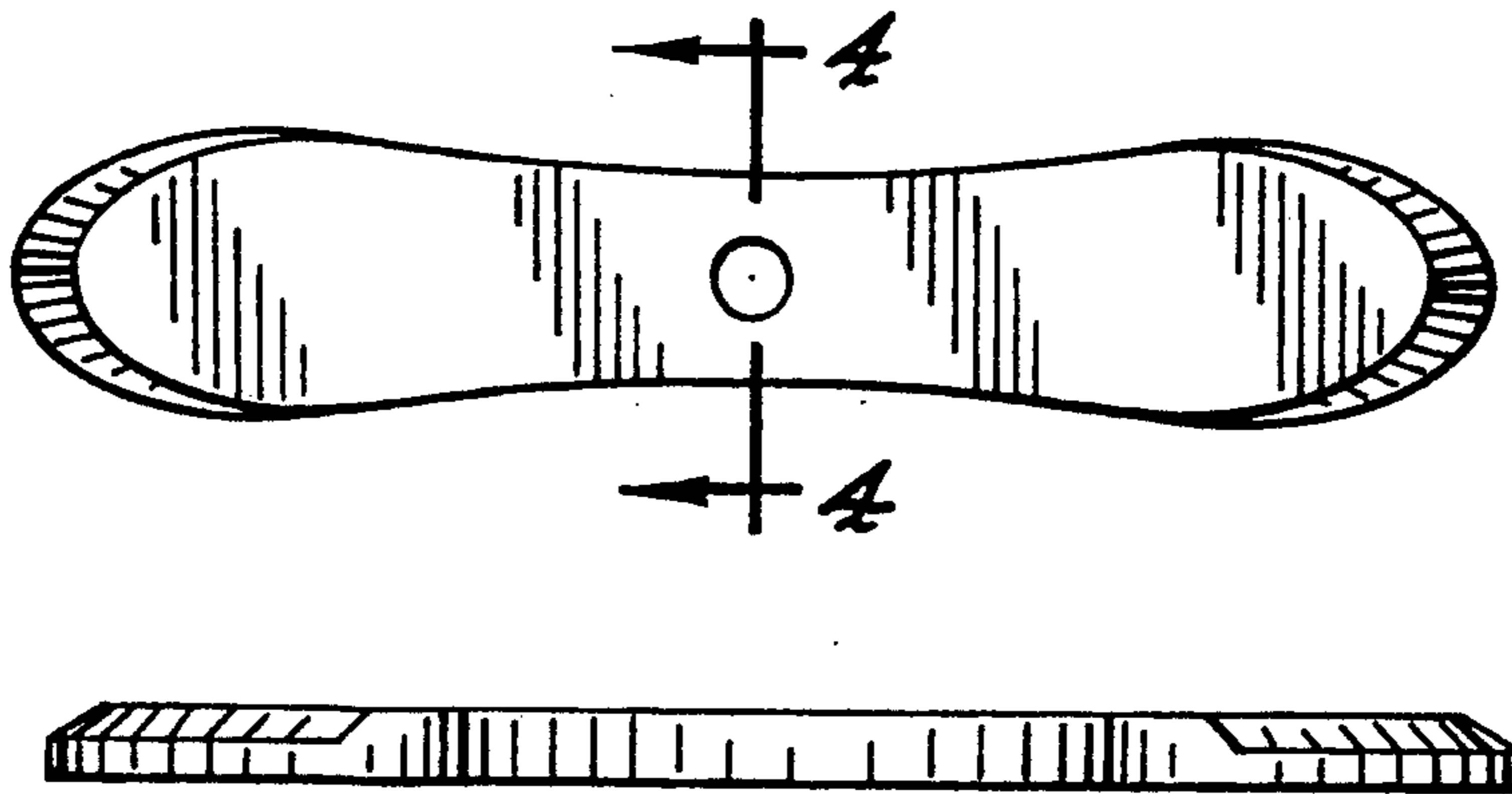
DESCRIPTION

FIG. 1 is a front view of a backplate showing my new design, the rear being unornamented;

FIG. 2 is a bottom view thereof, the top being a mirror image;

FIG. 3 is a left end view thereof, both ends being identical; and,

FIG. 4 is a sectional view taken in the direction of the arrows on line 4—4 of FIG. 1.



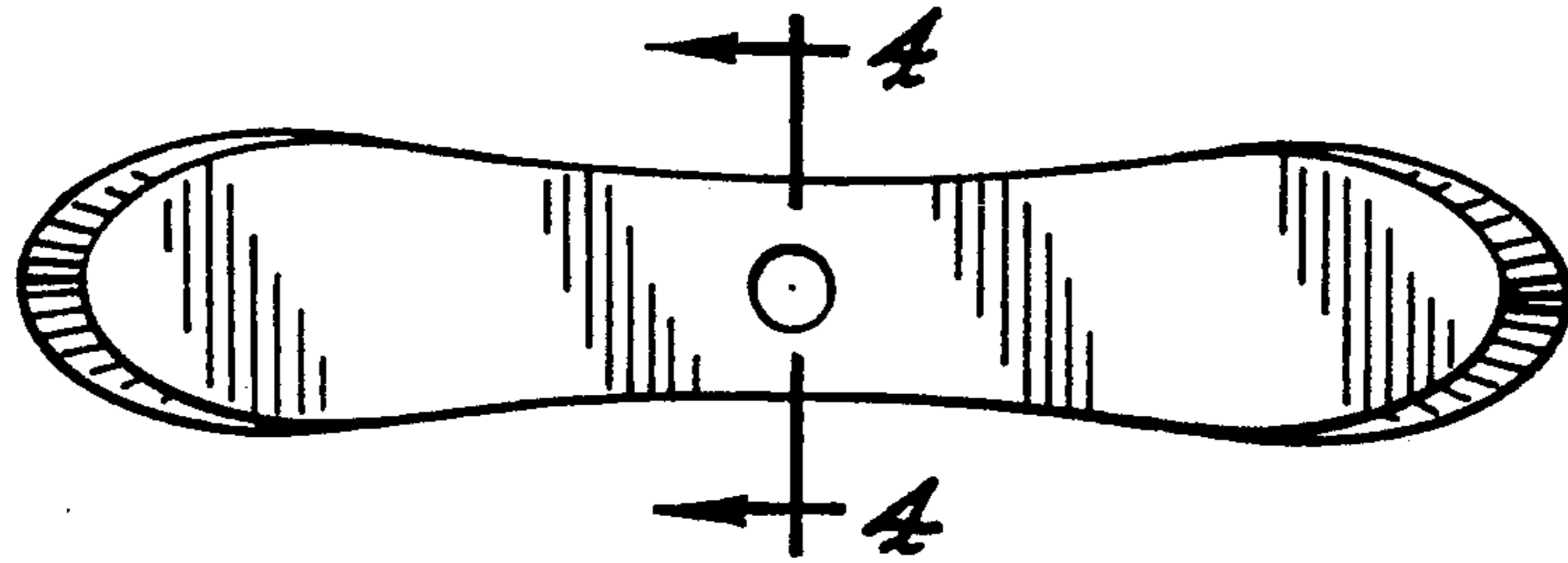


FIG. 1.



FIG. 2.



FIG. 3.

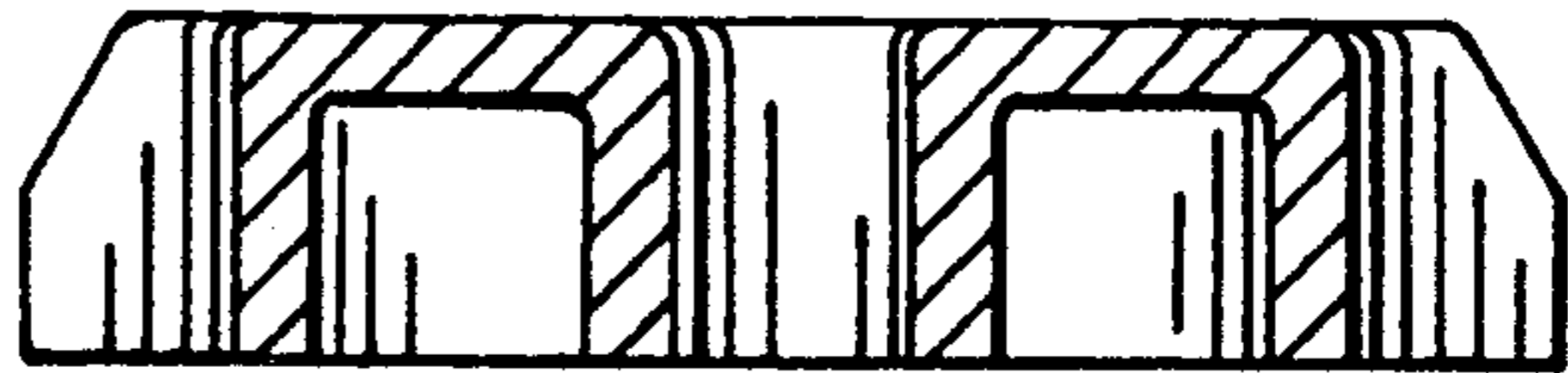


FIG. 4.