



US00D326992S

# United States Patent [19]

[11] Patent Number: **Des. 326,992**

Clayton

[45] Date of Patent: **\*\* Jun. 16, 1992**

[54] PULL

[75] Inventor: **LaVerne E. Clayton, Rockford, Ill.**

[73] Assignee: **Amerock Corporation, Rockford, Ill.**

[\*\*] Term: **14 Years**

[21] Appl. No.: **491,616**

[22] Filed: **Mar. 12, 1990**

[52] U.S. Cl. .... **D8/317**

[58] Field of Search ..... **D8/300, 315-320;  
16/110 R, 124-126**

### OTHER PUBLICATIONS

Belwith Cat. 687; p. 13; handle P440.

Belwith Cat. 687; p. 17; handle P447.

*Primary Examiner*—**B. J. Bullock**

*Attorney, Agent, or Firm*—**Leydig, Voit & Mayer**

### [57] CLAIM

The ornamental design for a pull, as shown and described.

### DESCRIPTION

FIG. 1 is a front view of a pull showing my new design, the rear being unornamented;

FIG. 2 is a bottom view thereof, the top being a mirror image;

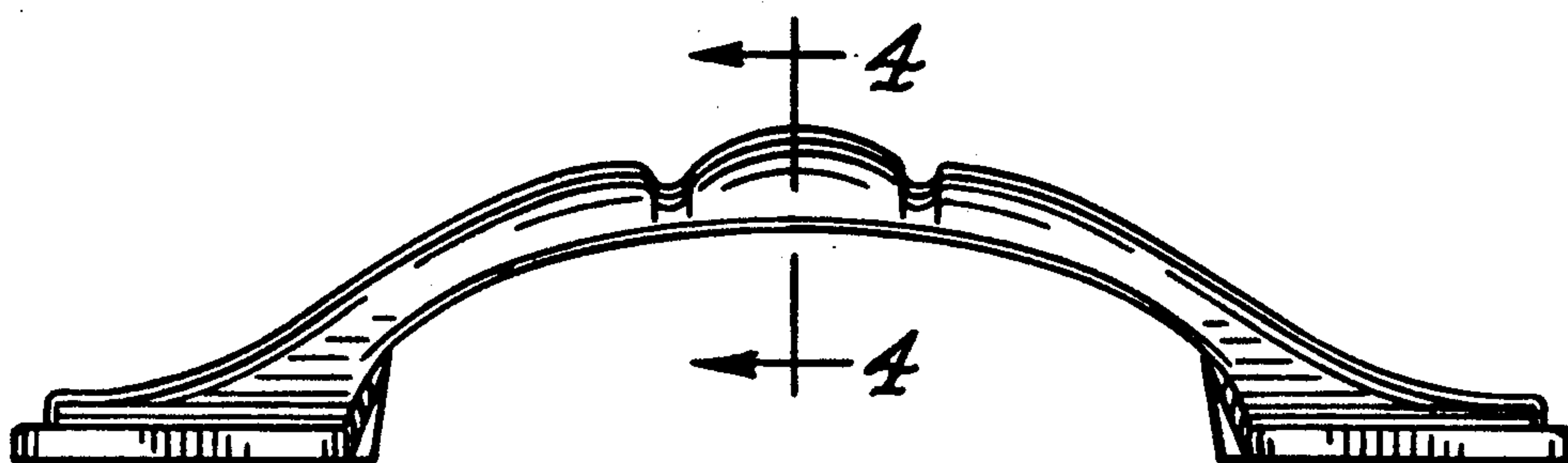
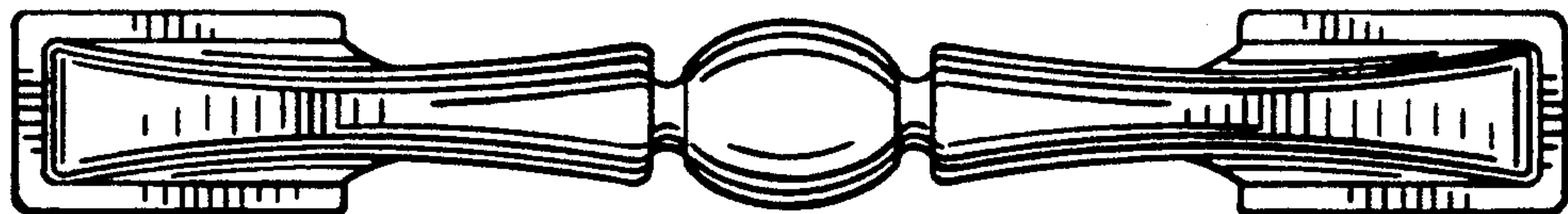
FIG. 3 is a left end view thereof, both ends being identical; and,

FIG. 4 is an enlarged sectional view taken on line 4—4 of FIG. 2.

### [56] References Cited

#### U.S. PATENT DOCUMENTS

- D. 189,871 3/1961 Morgan .
- D. 190,561 6/1961 Morgan .
- D. 200,195 2/1965 Clayton .
- D. 241,606 9/1976 Tegner .
- D. 284,737 7/1986 Clayton ..... D8/317



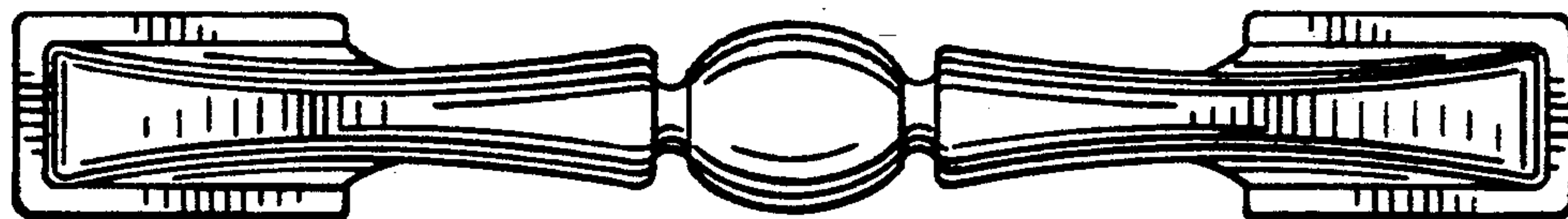


FIG. 1.

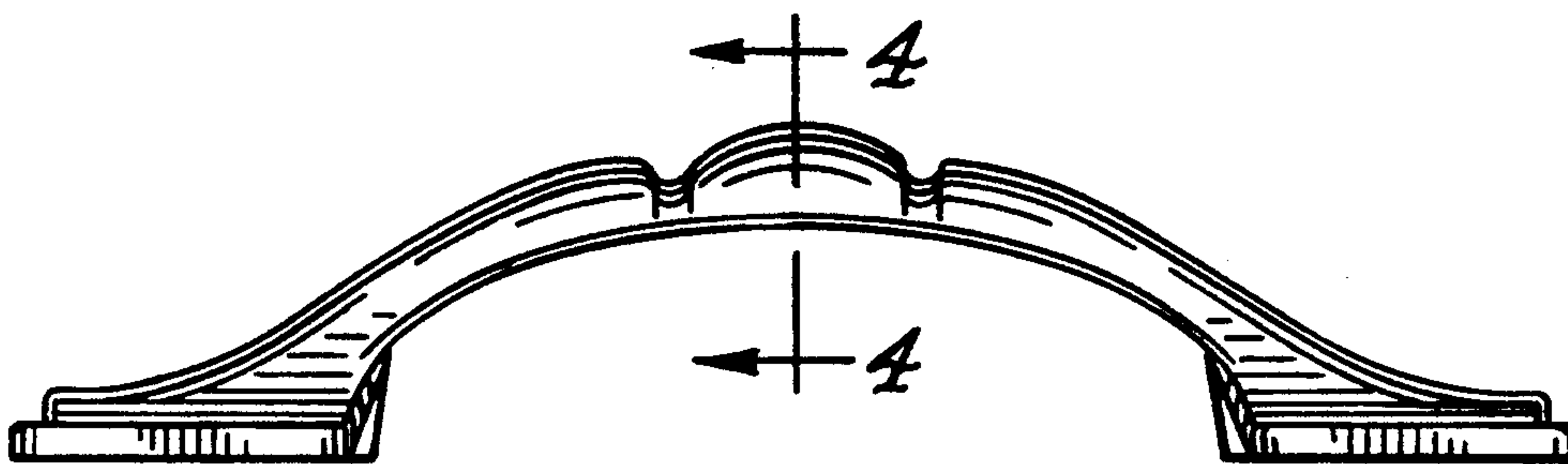


FIG. 2.

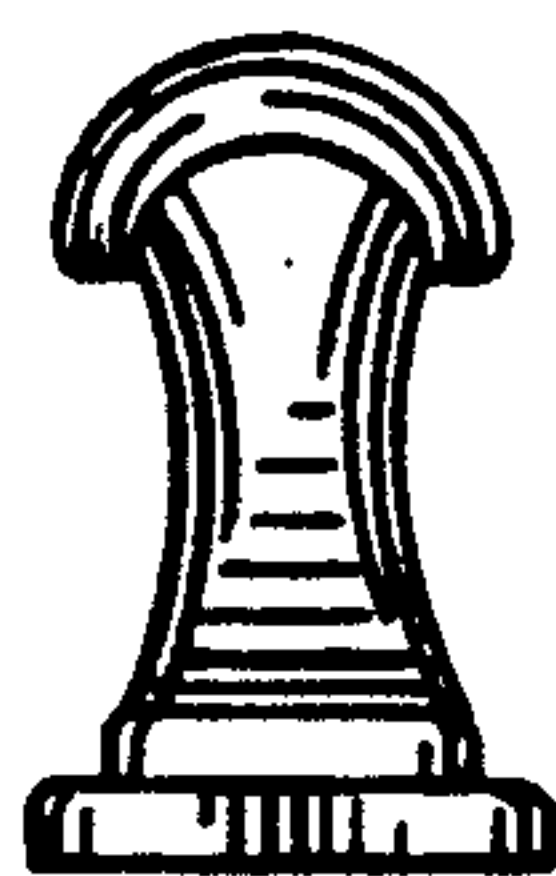


FIG. 3.

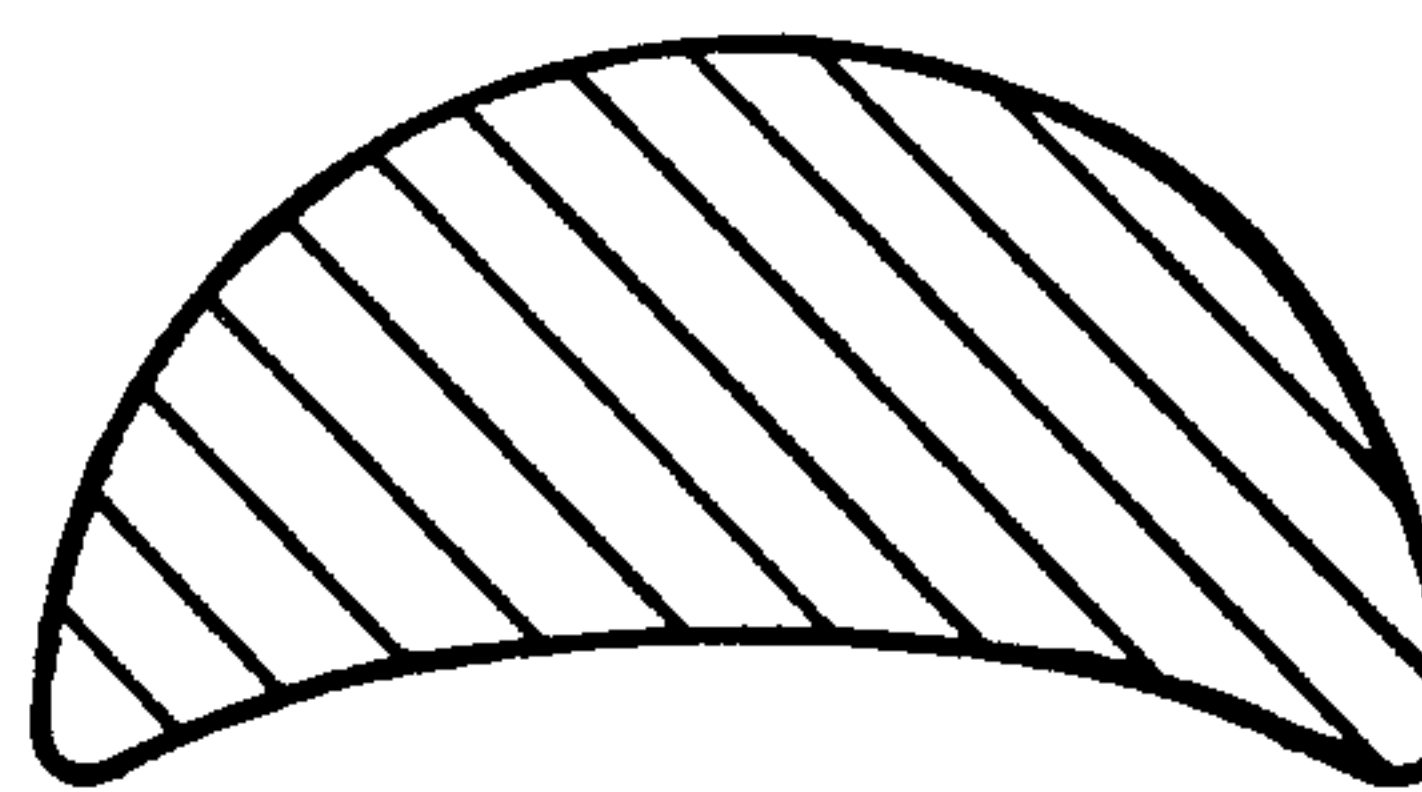


FIG. 4.