



US00D326988S

United States Patent [19]

[11] Patent Number: **Des. 326,988**

Beton

[45] Date of Patent: **** Jun. 16, 1992**

[54] **ALIGNING TIP FOR A POWER ACTUATED TOOL**

[56] **References Cited**

[75] Inventor: **Richard J. Beton, Victoria, Australia**

U.S. PATENT DOCUMENTS

[73] Assignee: **Ramset Fasteners (AUSTL) Pty Limited, Victoria, Australia**

D. 262,938	2/1982	Schulze	D8/70
D. 307,697	5/1990	Geckle	D8/71
D. 320,915	10/1991	Sanguino	D8/71
2,515,383	7/1950	Sneva	408/241 B
3,981,604	9/1976	Cenis	408/241 B
4,072,070	2/1978	Finn	81/451
4,131,385	12/1978	Narang	408/72 B
4,979,858	12/1990	Van Allman et al.	411/441

[**] Term: **14 Years**

Primary Examiner—Donald P. Walsh
Assistant Examiner—J. H. Musgrove
Attorney, Agent, or Firm—Harness, Dickey & Pierce

[21] Appl. No.: **450,724**

[57] CLAIM

[22] Filed: **Dec. 13, 1989**

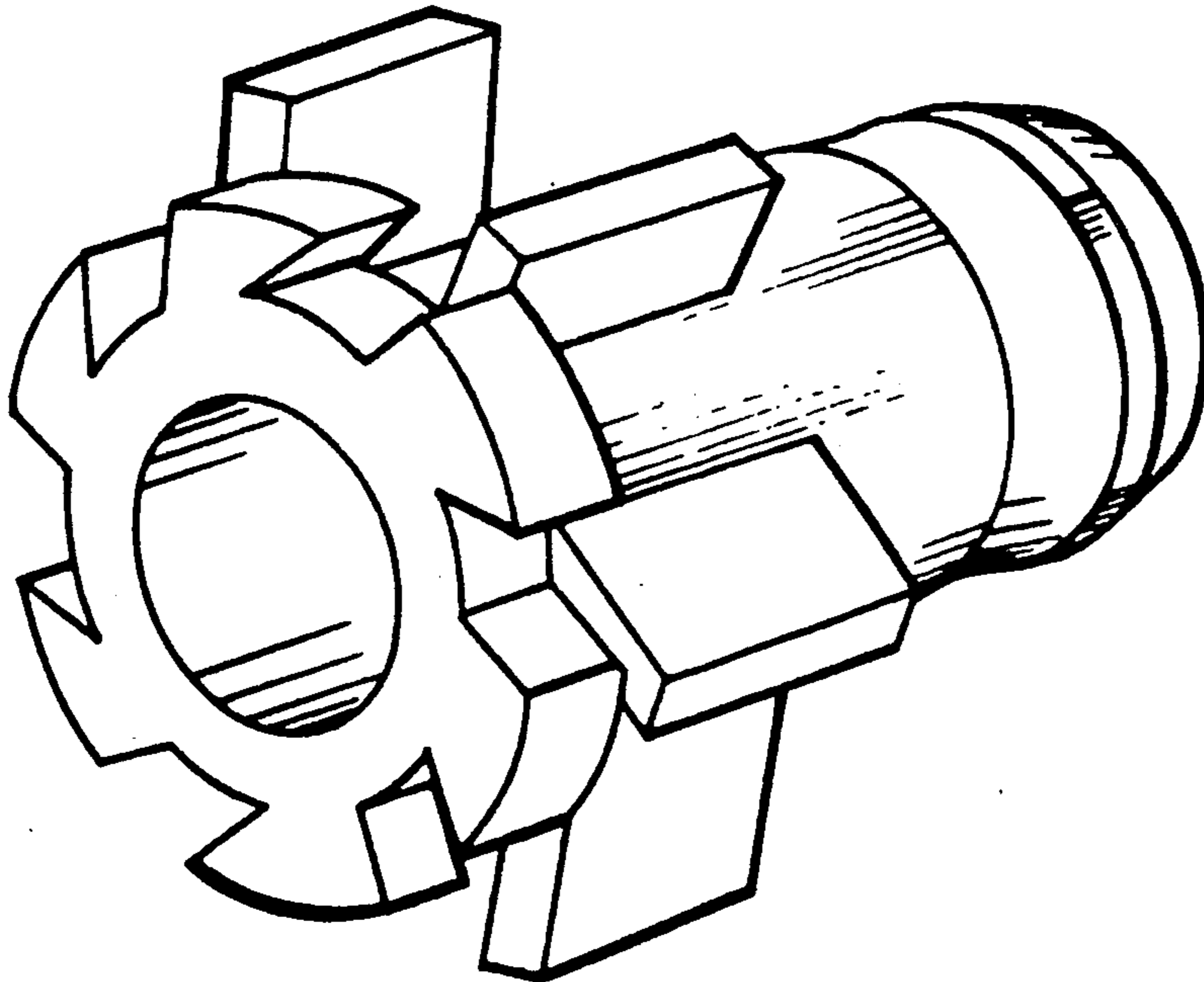
The ornamental design as shown in the drawings for an aligning tip for a power actuated tool.

[30] Foreign Application Priority Data

Jun. 15, 1989	[AU]	Australia	1915/89
[52]	U.S. Cl.		D8/70
[58]	Field of Search		D8/70, 71; 81/451; 408/72 B, 75, 115 B, 241 B

DESCRIPTION

Fig. 1 is a top, rear and right side perspective view of an aligning tip for a power actuated tool showing my new design; and
FIG. 2 is a bottom, front perspective view thereof.



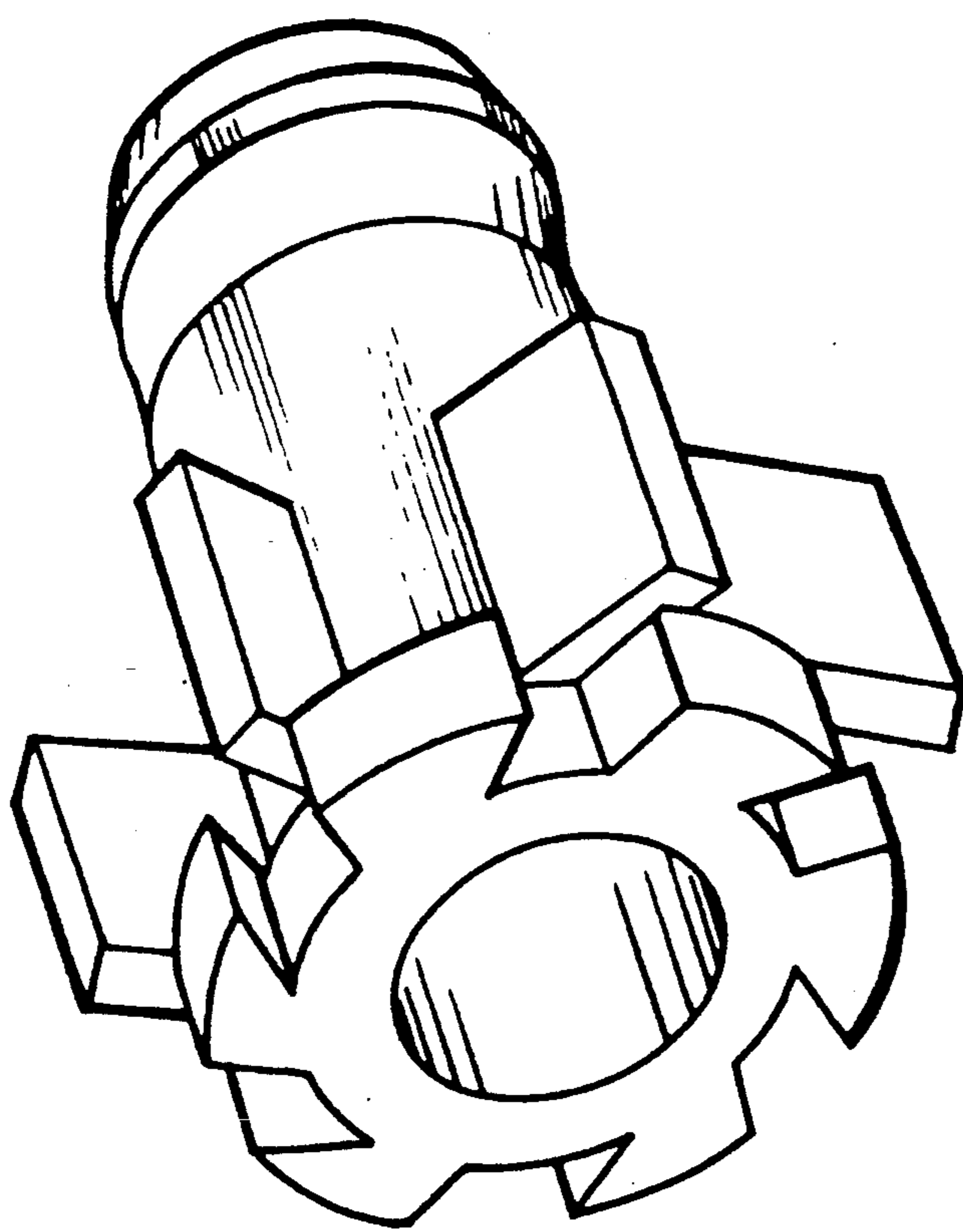


FIGURE 1

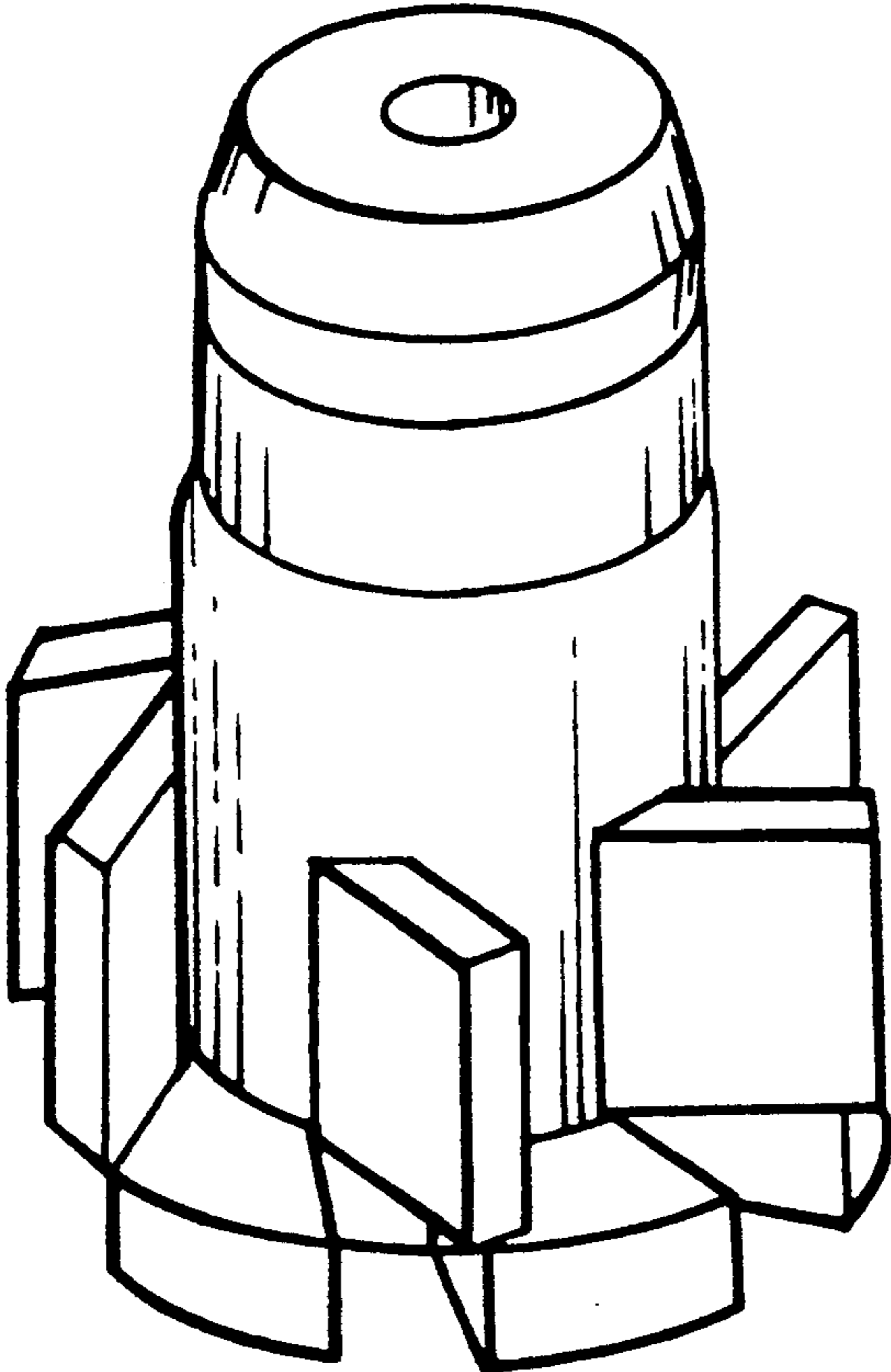


FIGURE 2