



US00D326987S

United States Patent [19]

[11] Patent Number: **Des. 326,987**

Lilja et al.

[45] Date of Patent: **** Jun. 16, 1992**

[54] MOTOR SAW COVER

[56] References Cited

[75] Inventors: **Hasse K. J. Lilja**, Jönköping; **Roine P. Westlund**, Tenhult; **Bert K. Karlsson**, Huskvarna; **Kenth A. G. Gustavsson**, Jönköping, all of Sweden

U.S. PATENT DOCUMENTS

D. 258,626	3/1981	Dembicks et al.	D3/30.1
2,788,889	4/1957	Turnbow	206/576
2,791,322	5/1957	Boeye	206/319
4,735,310	4/1988	Lemery et al.	206/319

[73] Assignee: **Aktiebolaget Electrolux**, Stockholm, Sweden

Primary Examiner—Donald P. Walsh
Assistant Examiner—J. H. Musgrove
Attorney, Agent, or Firm—Pearne, Gordon, McCoy & Granger

[**] Term: **14 Years**

[57] CLAIM

[21] Appl. No.: **348,468**

The ornamental design for motor saw cover, as shown and described.

[22] Filed: **May 5, 1989**

DESCRIPTION

[30] Foreign Application Priority Data

Nov. 8, 1988 [SE] Sweden 88-2539

[52] U.S. Cl. **D8/65**

[58] Field of Search D8/65; D3/30.1; 206/319, 576; 220/324

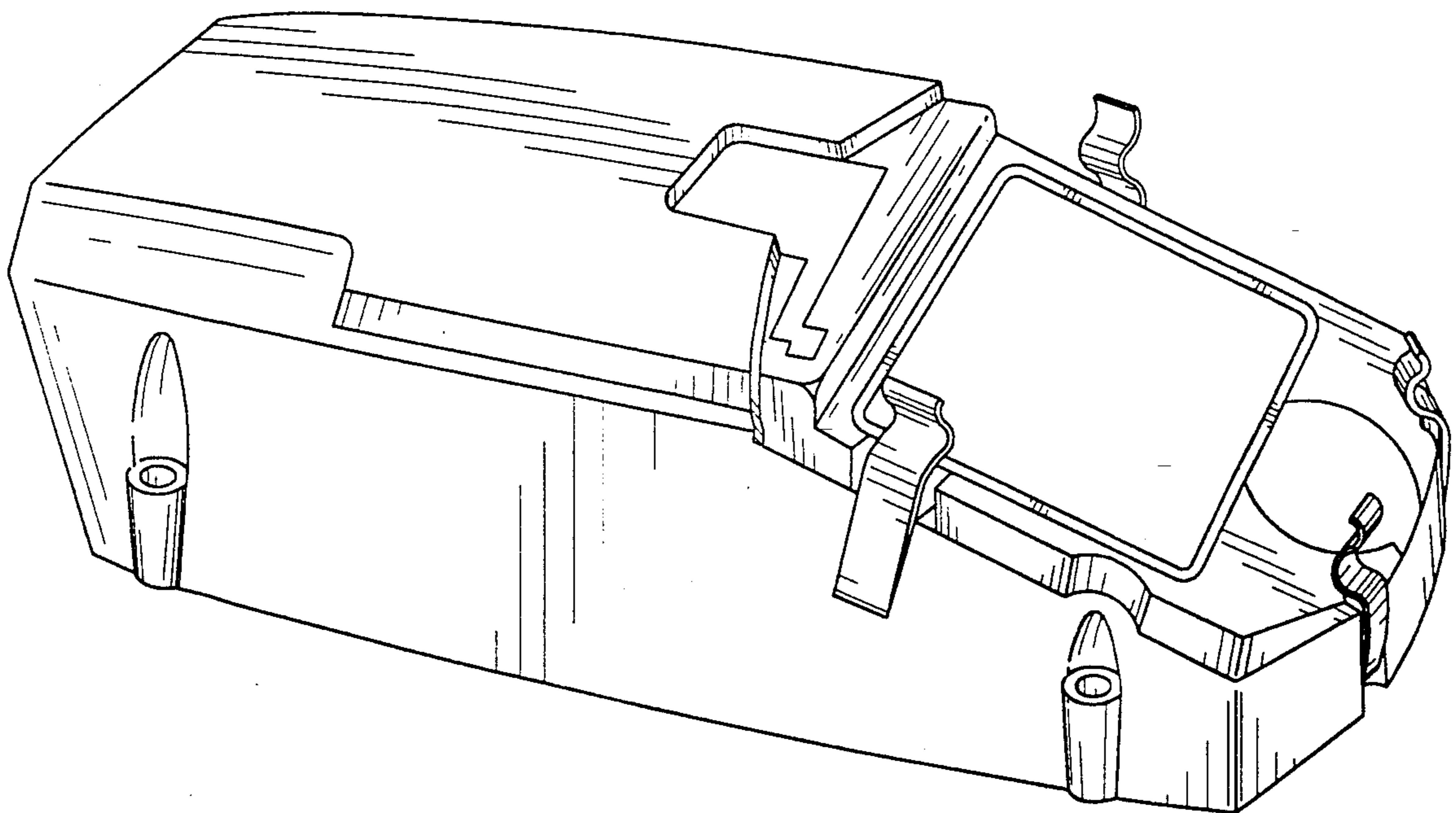
FIG. 1 is a bottom plan view of a motor saw cover showing our new design;

FIG. 2 is a right side elevational view;

FIG. 3 is a left side elevational view;

FIG. 4 is a top plan view; and,

FIG. 5 is a top left-side perspective view thereof.



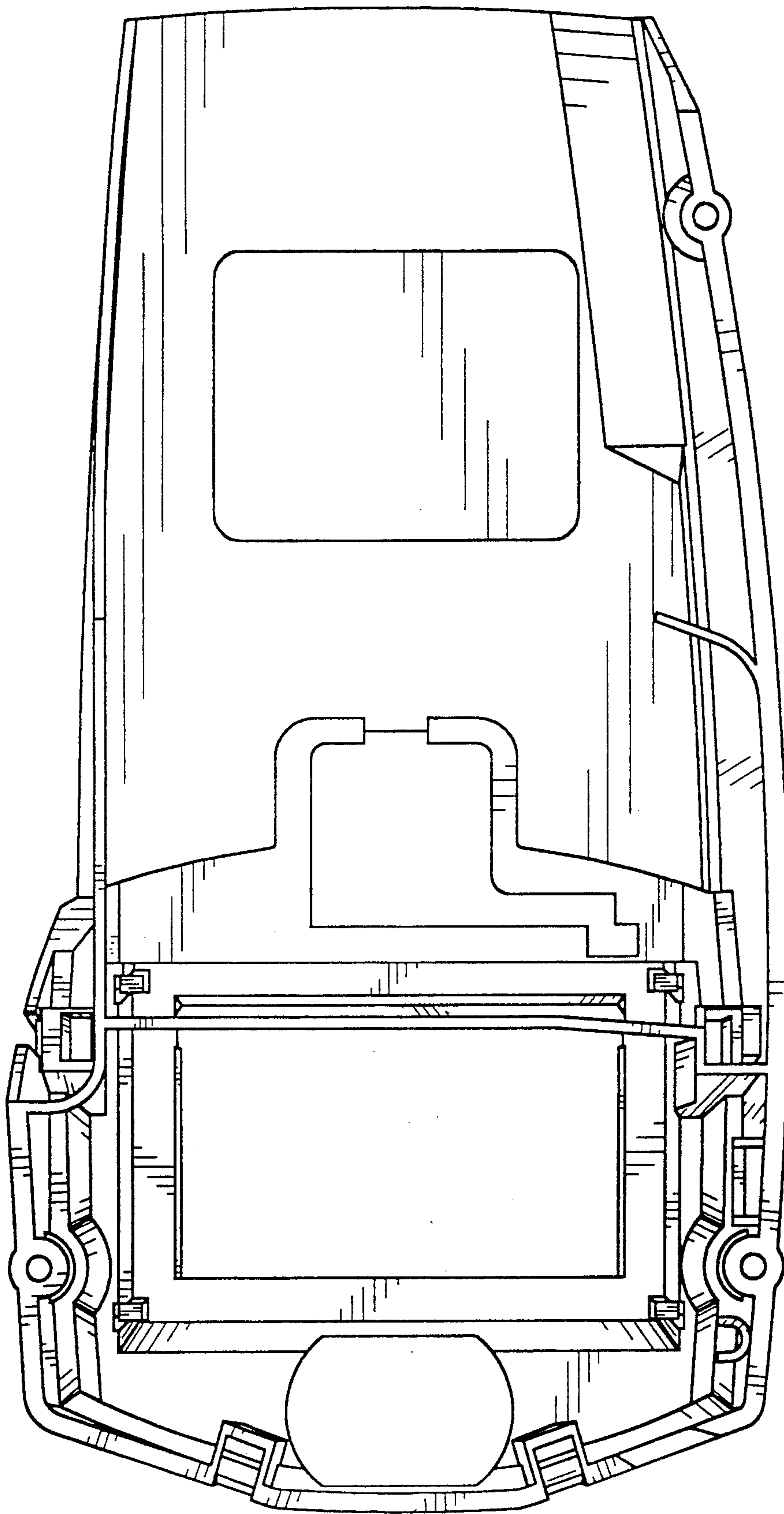


FIG.1

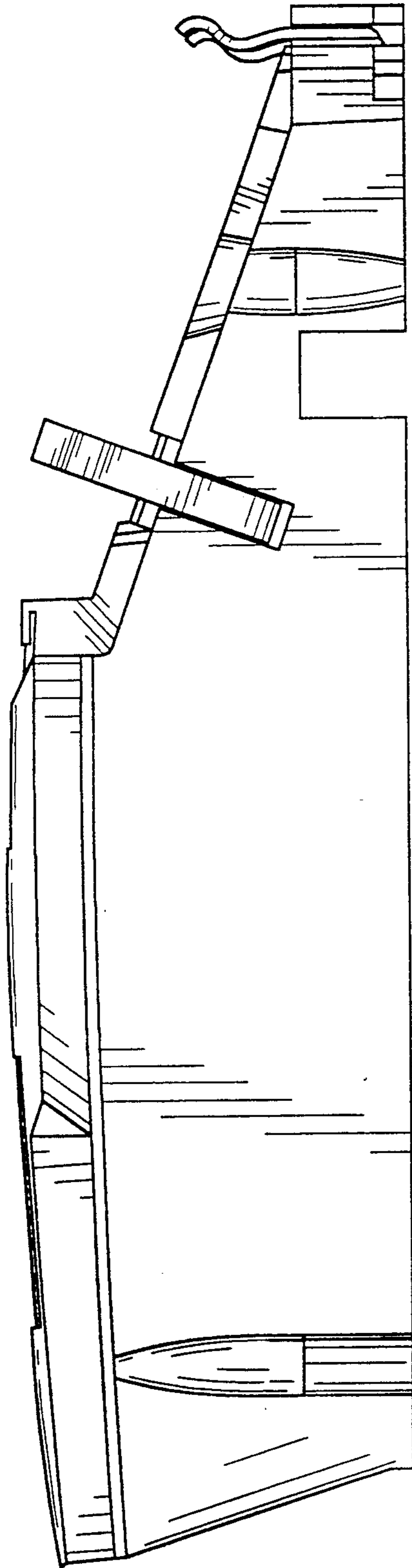


FIG. 2

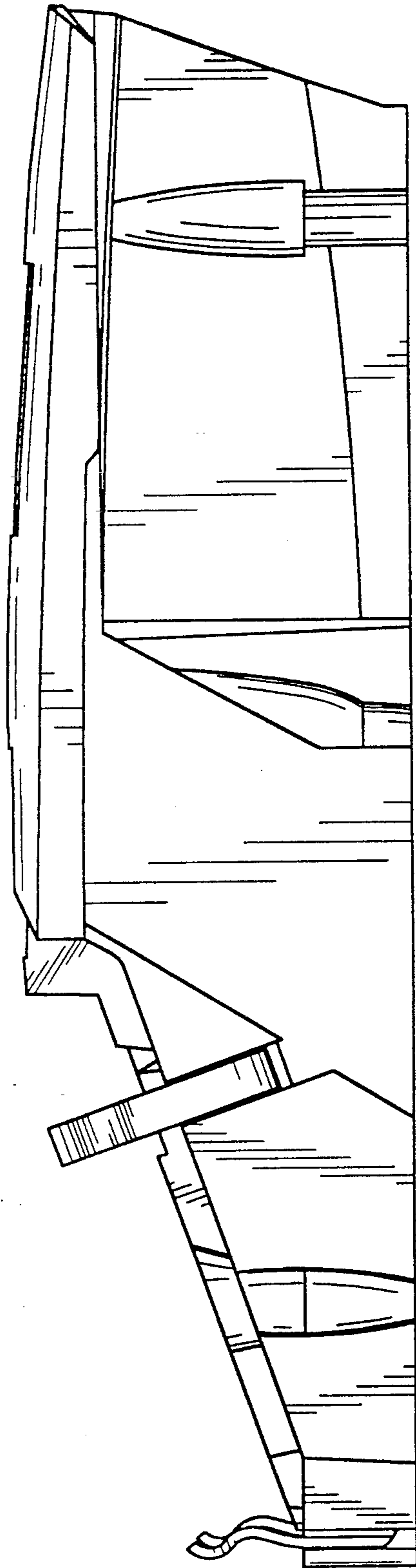


FIG. 3

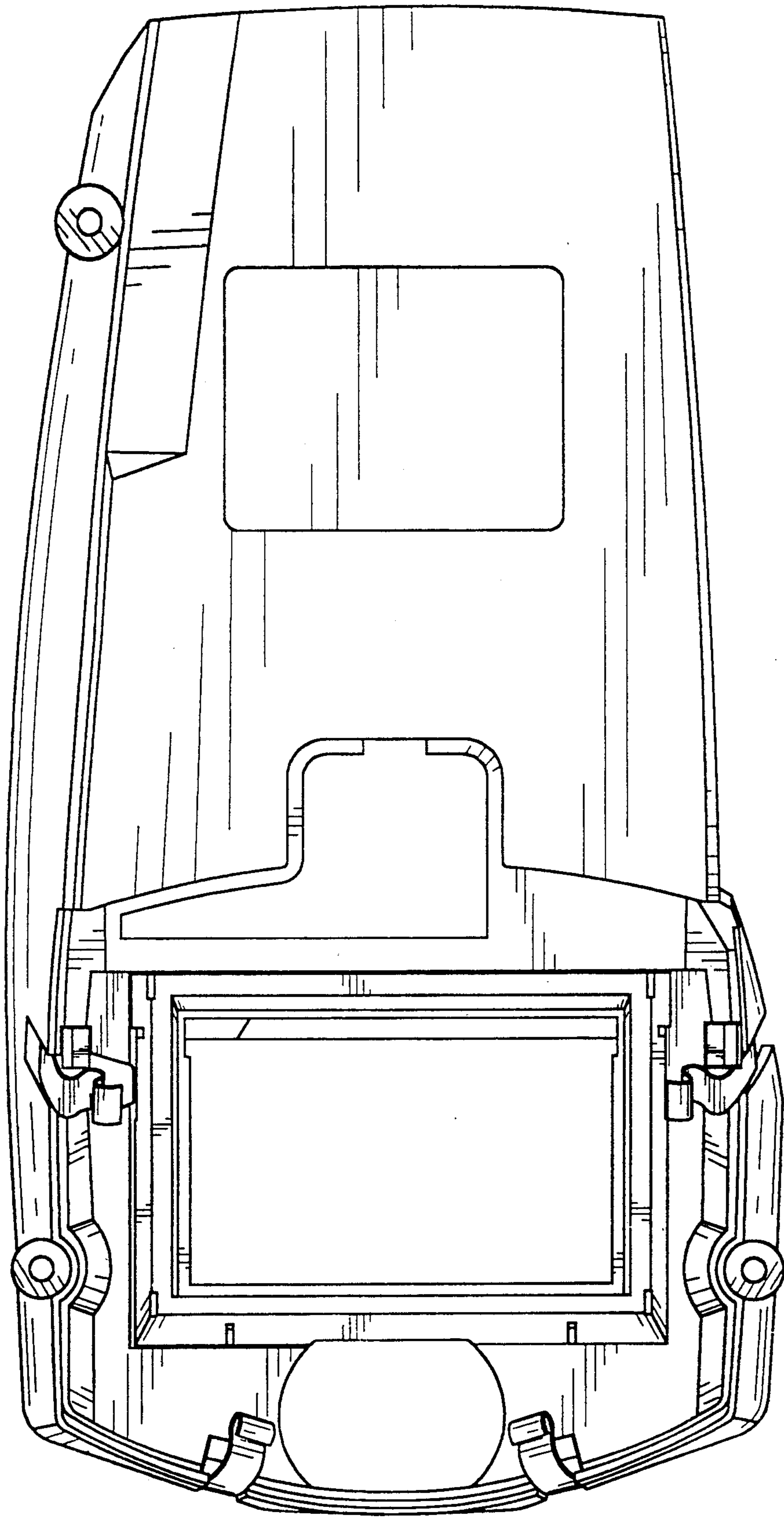


FIG.4

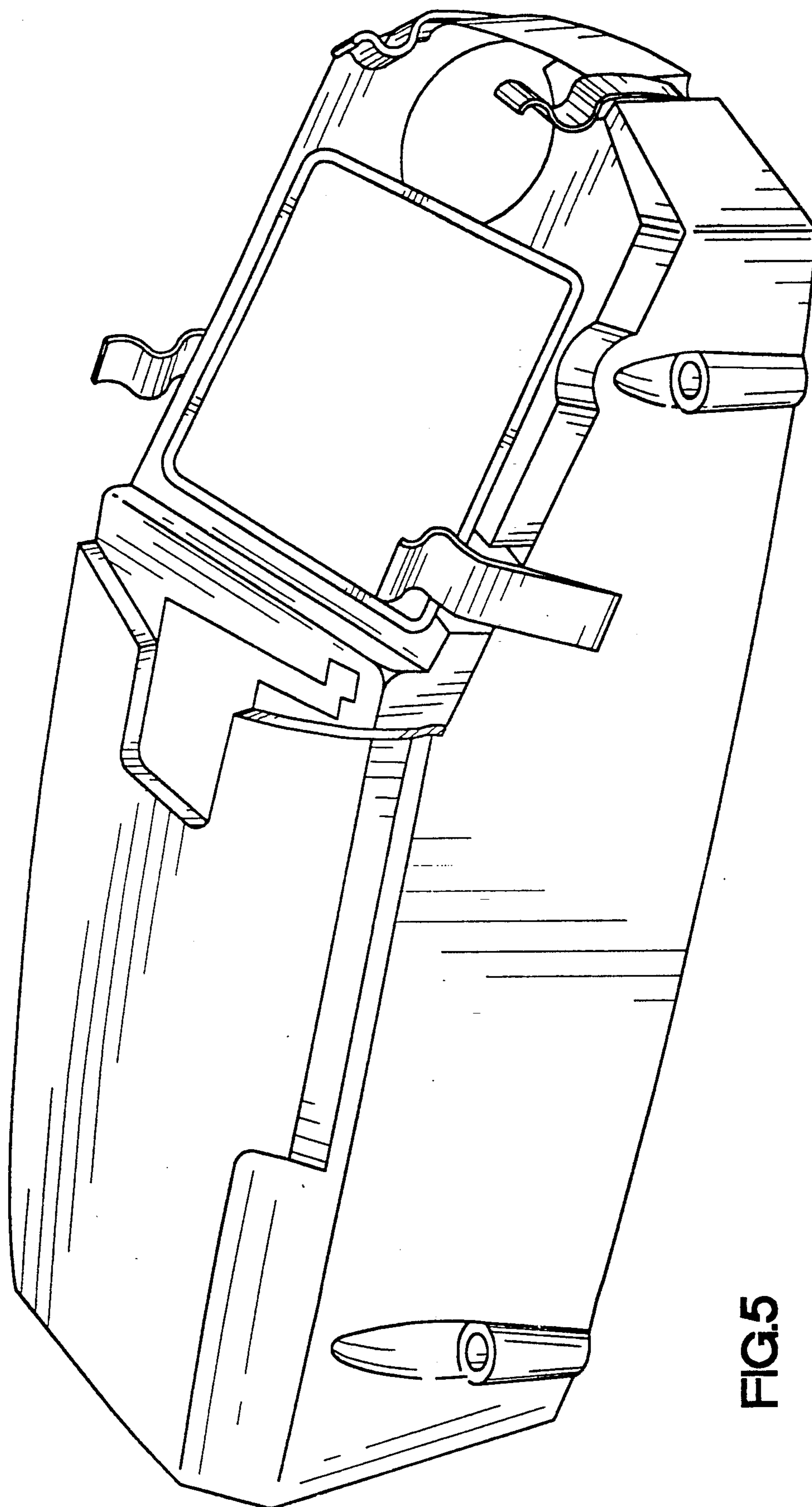


FIG.5