



US00D326984S

United States Patent [19]

[11] Patent Number: **Des. 326,984**

Lahr

[45] Date of Patent: **** Jun. 16, 1992**

[54] **CONTAINER HOLDER**

5,072,868 12/1991 Dickie et al. 224/148 X

[76] Inventor: **Richard W. Lahr**, 10705 Forest Run Dr., Bradenton, Fla. 34202

Primary Examiner—Terry A. Pfeffer
Attorney, Agent, or Firm—Arthur W. Fisher, III

[**] Term: **14 Years**

[57] **CLAIM**

[21] Appl. No.: **507,896**

The ornamental design for a container holder, as shown and described.

[22] Filed: **Apr. 12, 1990**

[52] U.S. Cl. **D7/620**

[58] Field of Search **D7/616-625;**
D9/455; 211/71, 74, 75, 88; 220/737; 224/42.45
R, 148; 248/310, 311.2, 214

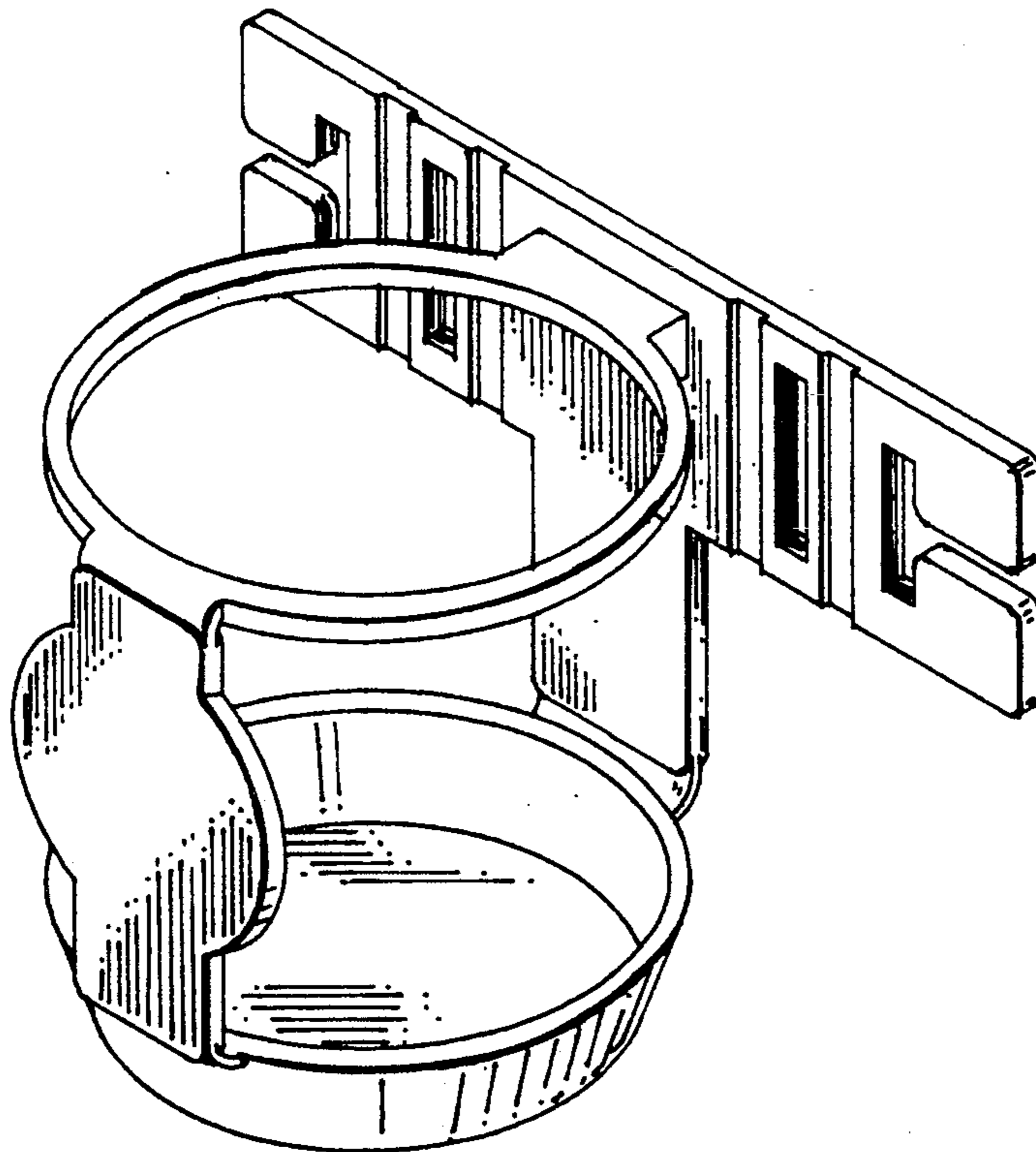
DESCRIPTION

[56] **References Cited**

U.S. PATENT DOCUMENTS

2,979,301 4/1961 Reveal **D7/620 X**
3,104,788 9/1963 Wood **D7/622 X**

FIG. 1 is a front elevational view of a container holder showing my new design;
FIG. 2 is a top plan thereof;
FIG. 3 is a rear elevational view thereof;
FIG. 4 is a bottom plan view thereof;
FIG. 5 is a right side elevational view thereof;
FIG. 6 is a left side elevational view thereof; and,
FIG. 7 is a perspective view thereof.



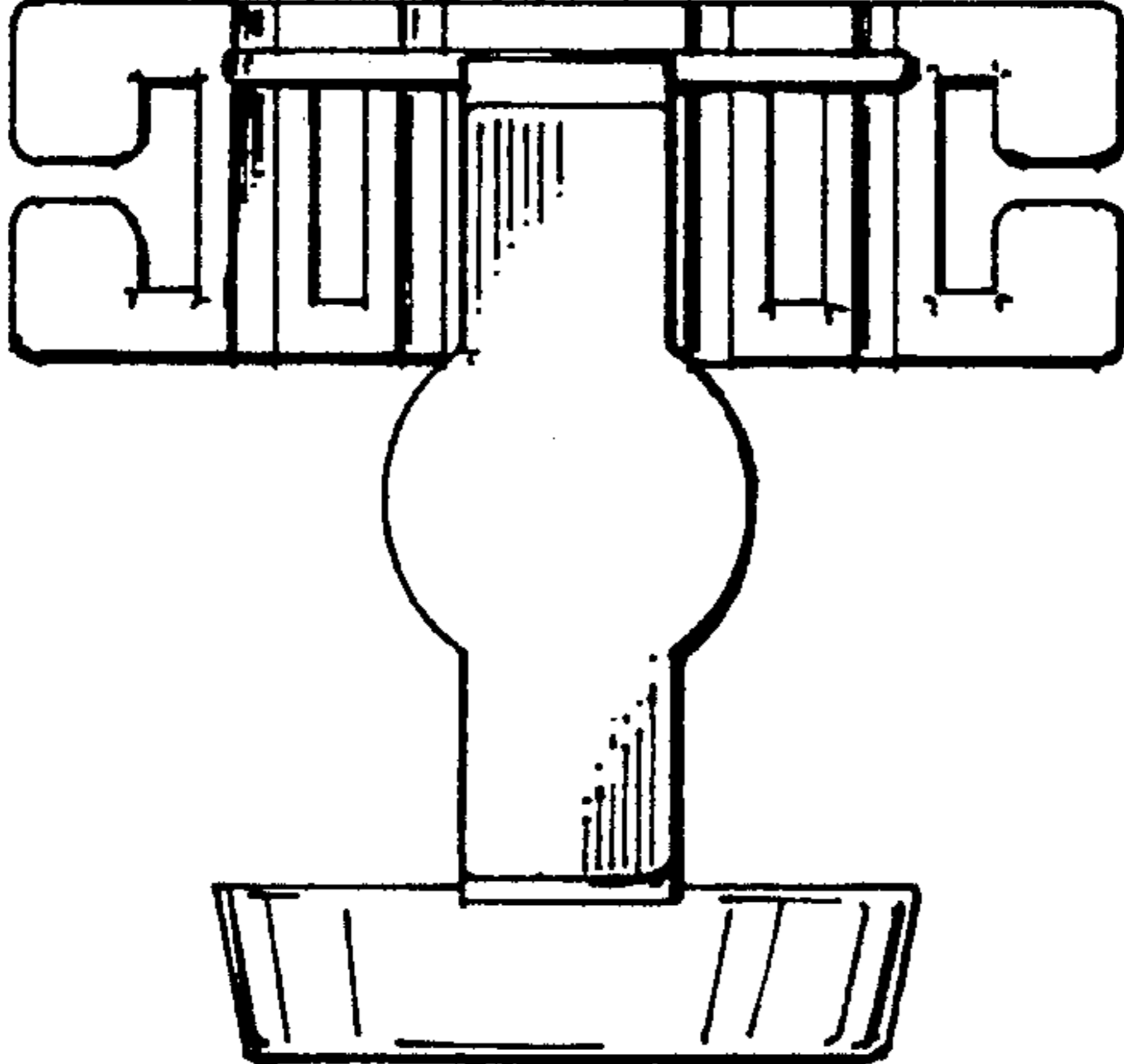


FIG. 1

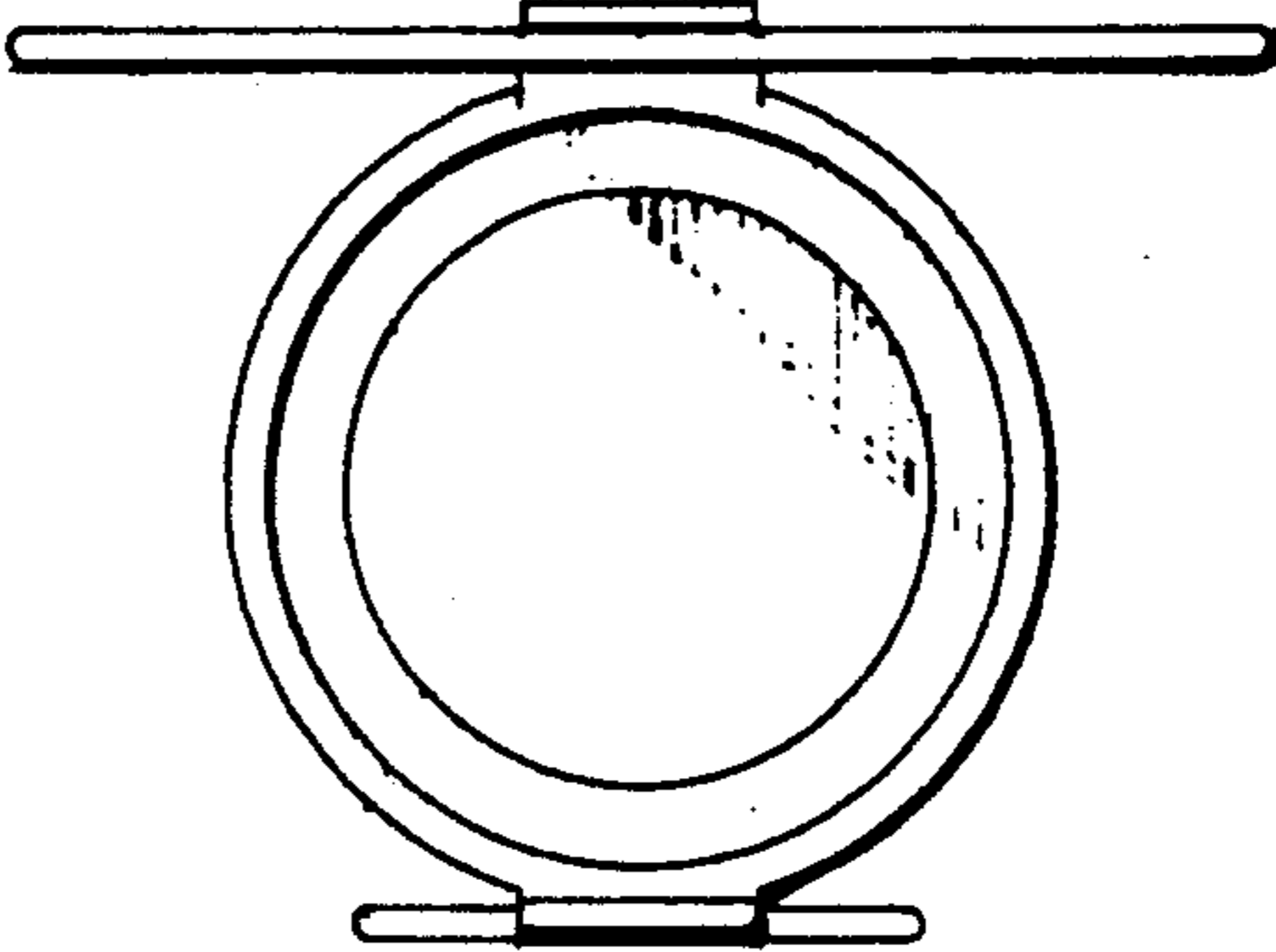


FIG. 2

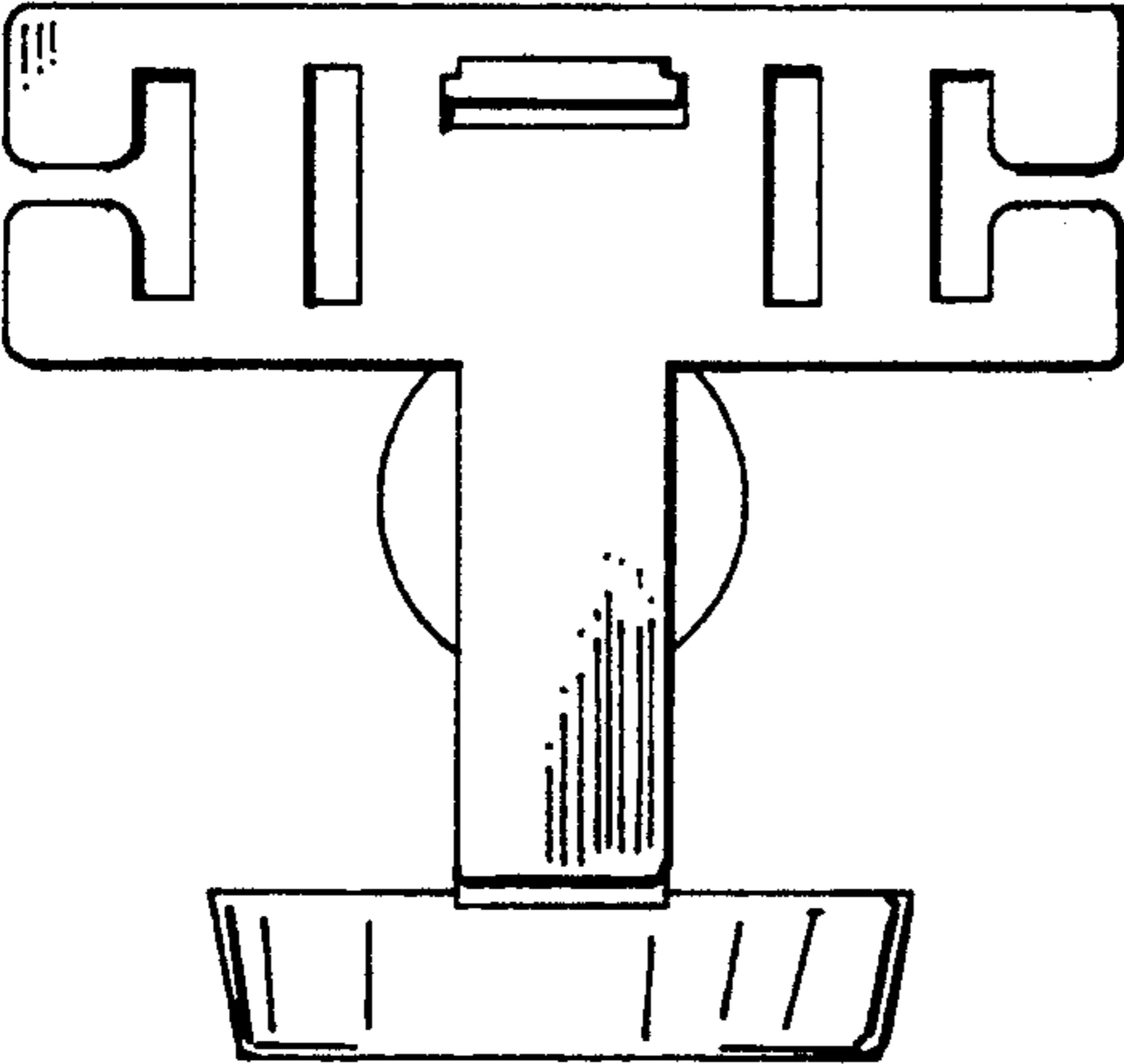


FIG. 3

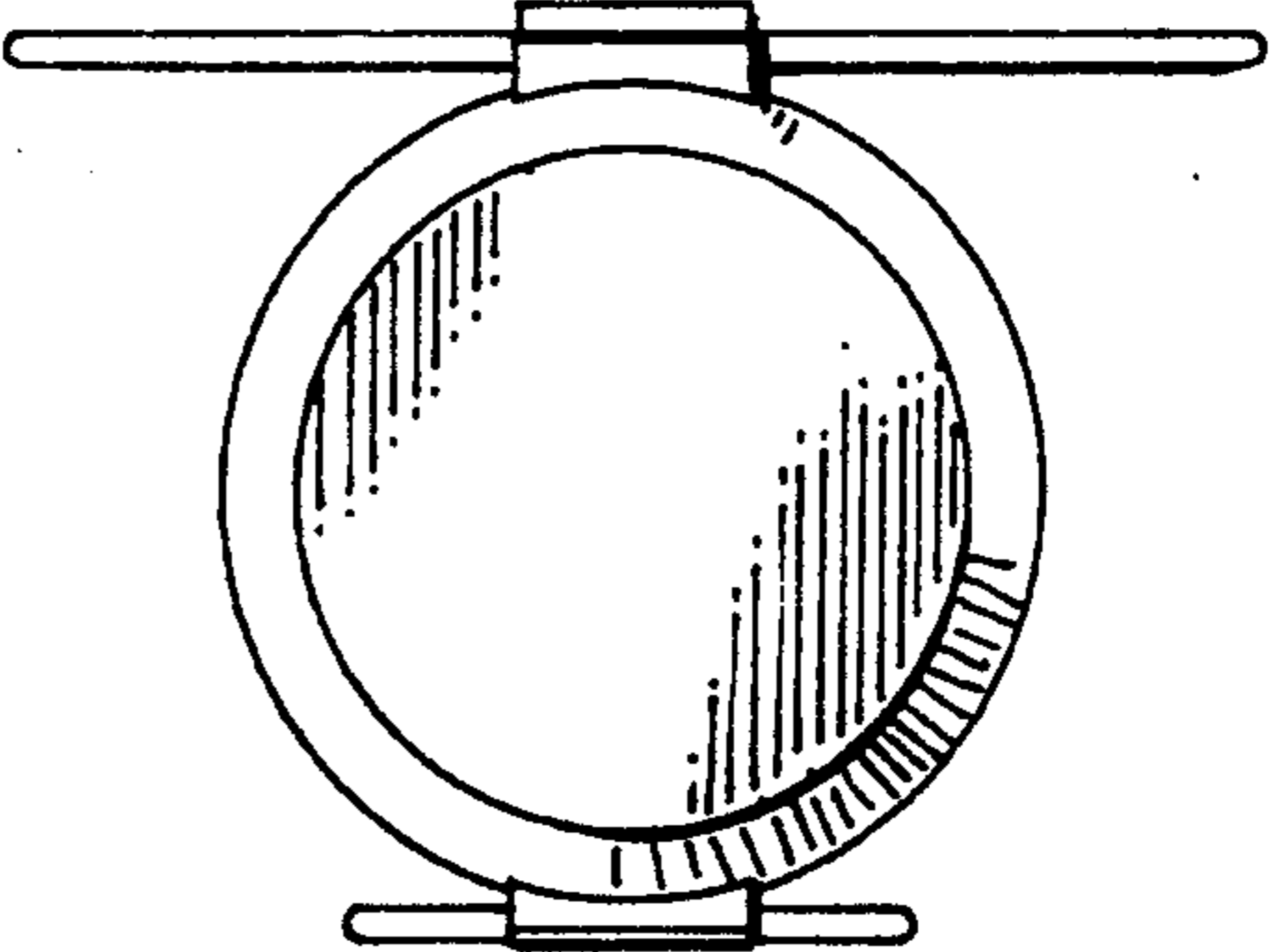


FIG. 4

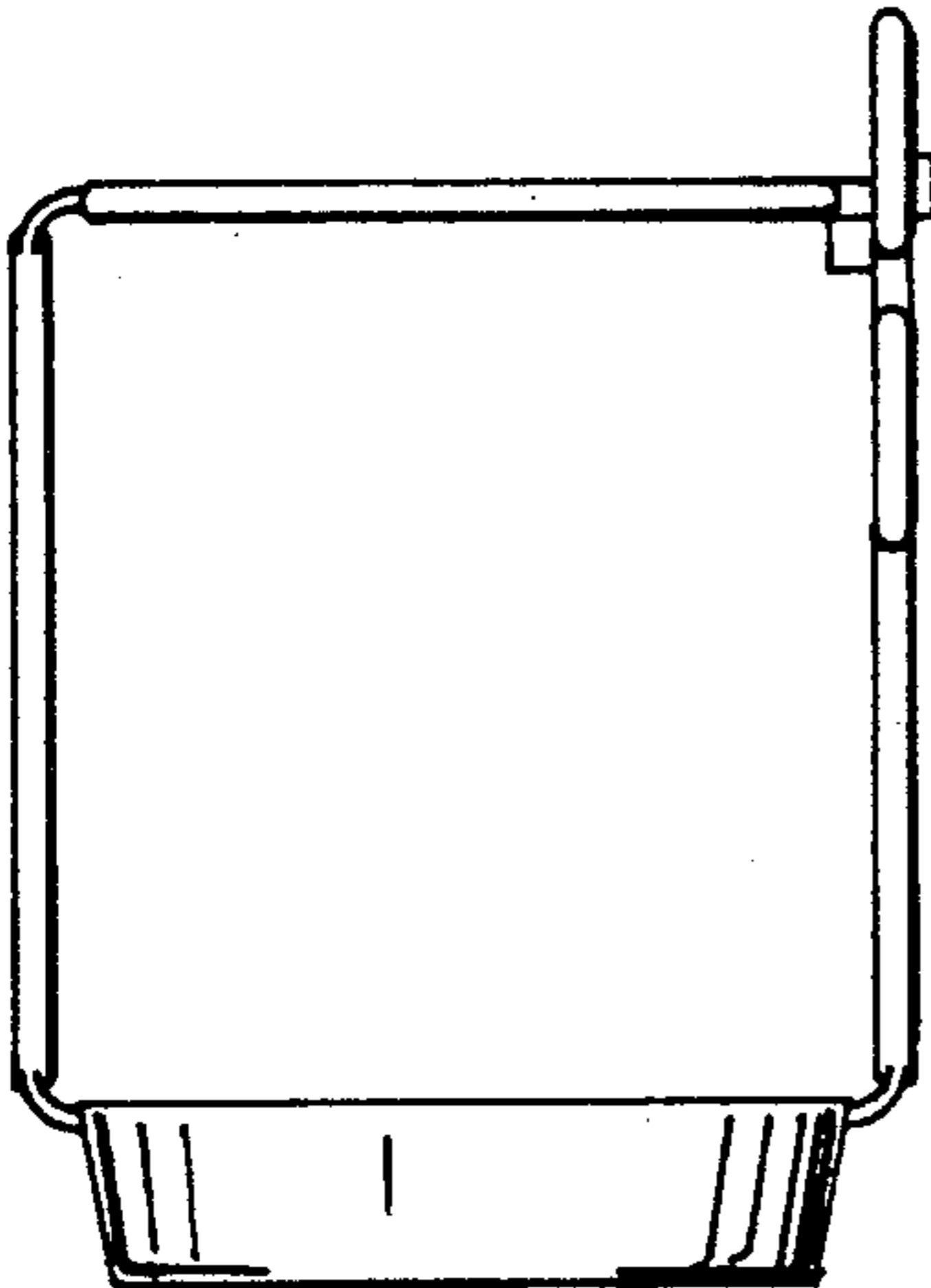


FIG. 5

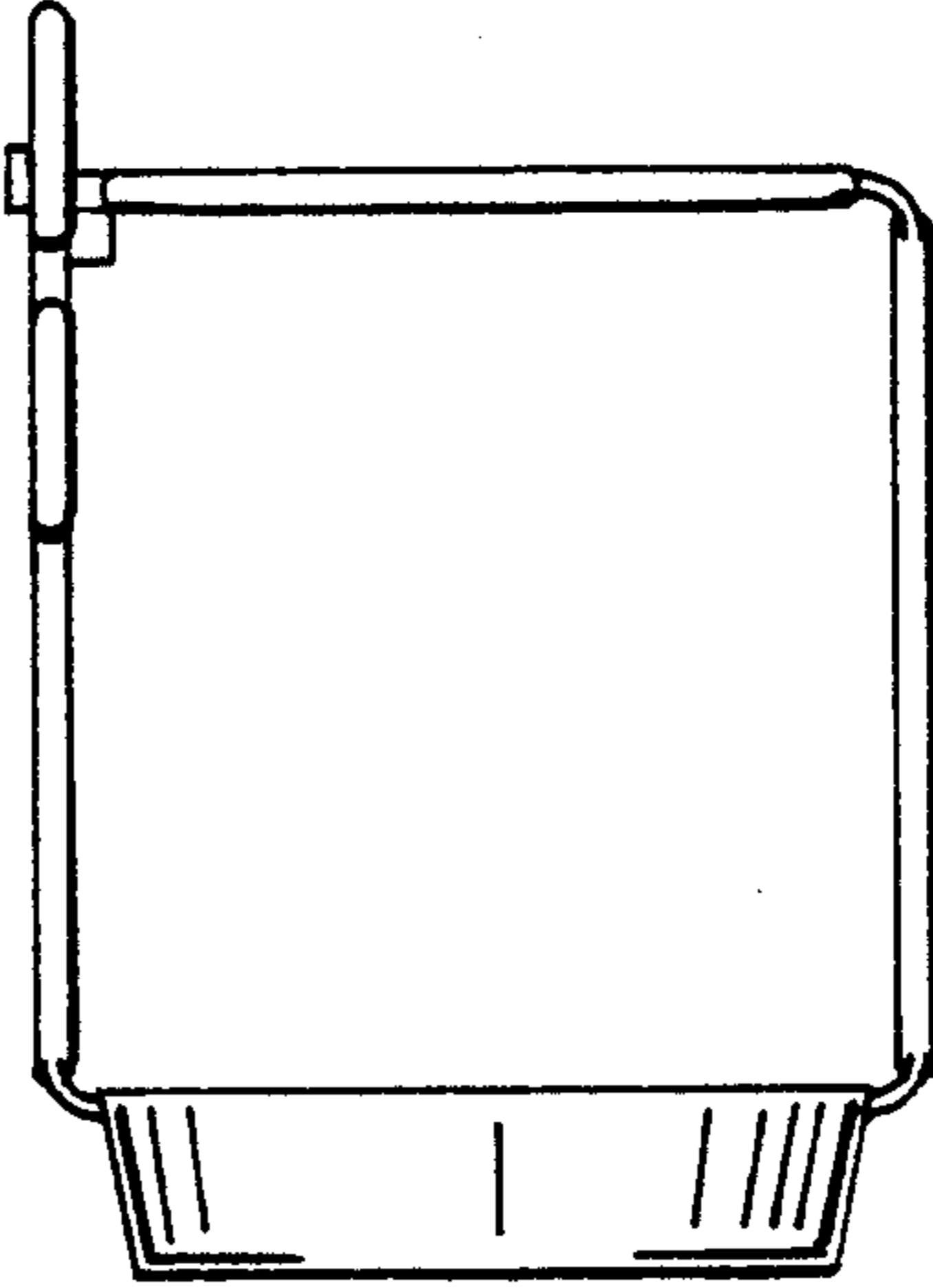


FIG. 6

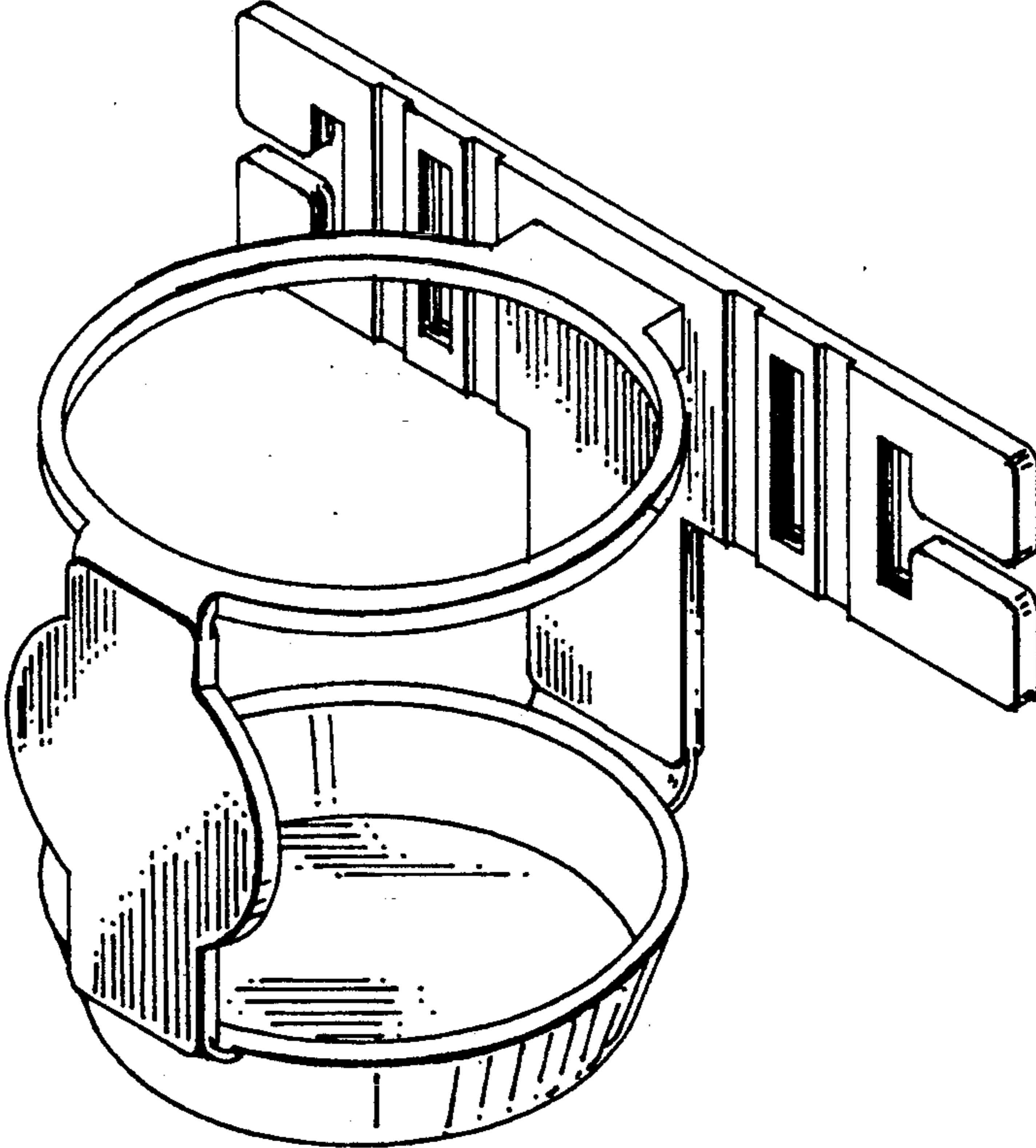


FIG. 7