



US00D326982S

United States Patent [19]

[11] Patent Number: Des. 326,982

Schreder

[45] Date of Patent: ** Jun. 16, 1992

[54] ELECTRIC COOKING PLATE

[75] Inventor: Felix Schreder, Oberderdingen, Fed. Rep. of Germany

[73] Assignee: E. G. O. Elektro-Gerate Blanc u. Fischer, Fed. Rep. of Germany

[**] Term: 14 Years

[21] Appl. No.: 441,442

[22] Filed: Nov. 27, 1989

[30] Foreign Application Priority Data

May 25, 1989 [DE] Fed. Rep. of Germany 8903767

[52] U.S. Cl. D7/407

[58] Field of Search D7/407, 408; D23/314; 219/446, 449, 458-460, 464, 466, 512

[56] References Cited

U.S. PATENT DOCUMENTS

4,481,407	11/1984	Stokes et al.	219/464
4,710,611	12/1987	Axelsson	219/449
4,755,655	7/1988	Reiche et al.	219/449
4,829,160	5/1989	Fischer	219/467
4,858,590	8/1989	Bailey	219/464

OTHER PUBLICATIONS

Brochure For Automatik-Kochplatten From E. G. O. Elektro-Gerätebau GMBH D 7519 Oberderdingen.
Brochure For Einkreis-Blitzkochplatten From E. G. O. Elektro-Gerätebau GMBH D 7519 Oberderdingen.
Brochure For Siebentakt-Kochplatten From E. G. O. Elektro-Gerätebau GMBH D 7519 Oberderdingen.
Catalog of EGO Kochplatten From E. G. O. Elektro-Geräte Blanc u. Fisher 7519 Oberderdingen.

Primary Examiner—A. Hugo Word
Assistant Examiner—Ruth McInroy
Attorney, Agent, or Firm—Quarles & Brady

[57] CLAIM

The ornamental design for an electric cooking plate, as shown or described.

DESCRIPTION

FIG. 1 is a top perspective view of an electric cooking plate showing my new design;
FIG. 2 is a top plan view thereof;
FIG. 3 is a side elevational view thereof;
FIG. 4 is a side elevational view thereof, of the opposite side of FIG. 3;
FIG. 5 is a bottom plan view thereof;
FIG. 6 is a front elevational view thereof; and,
FIG. 7 is a rear elevational view thereof.

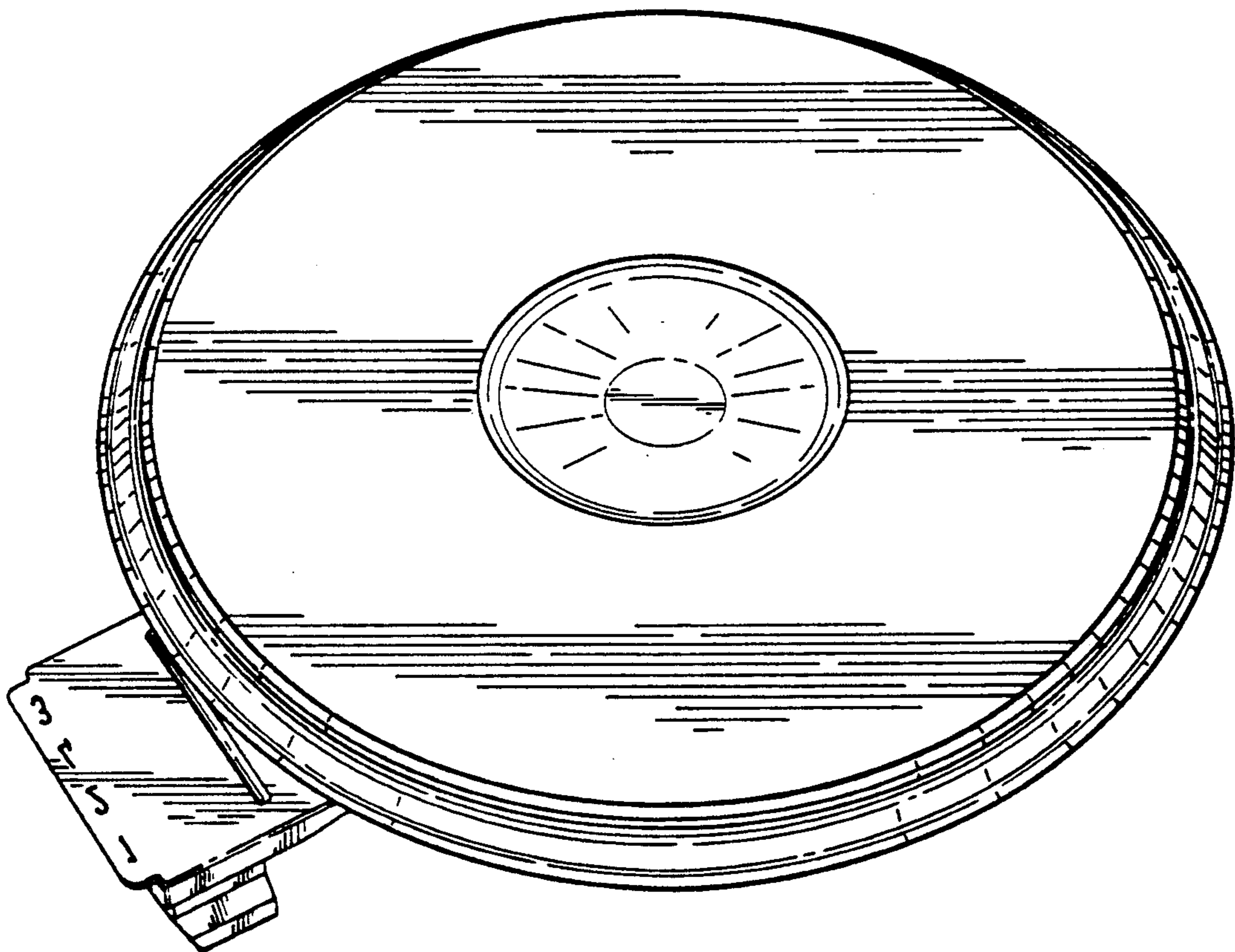
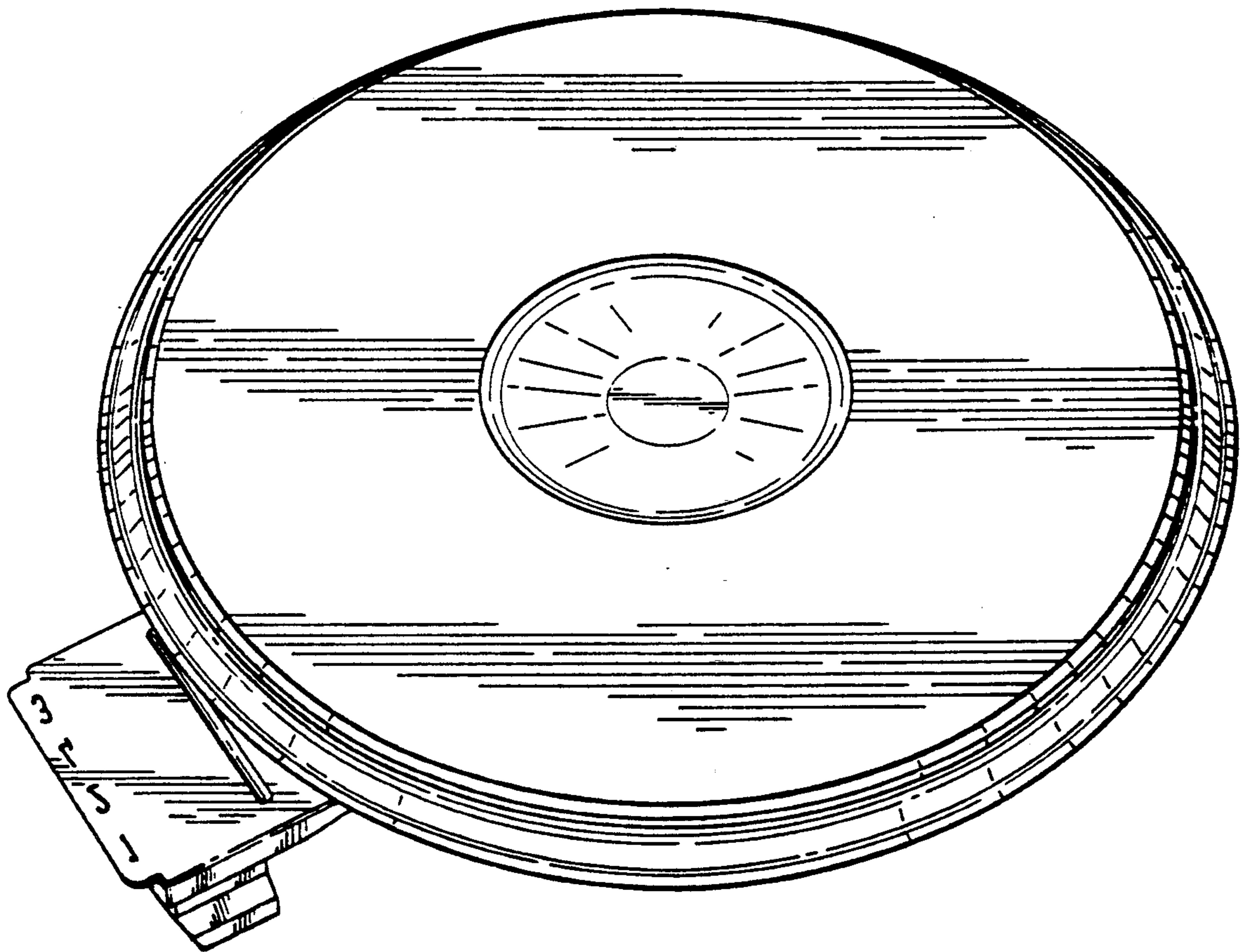


FIG. 1



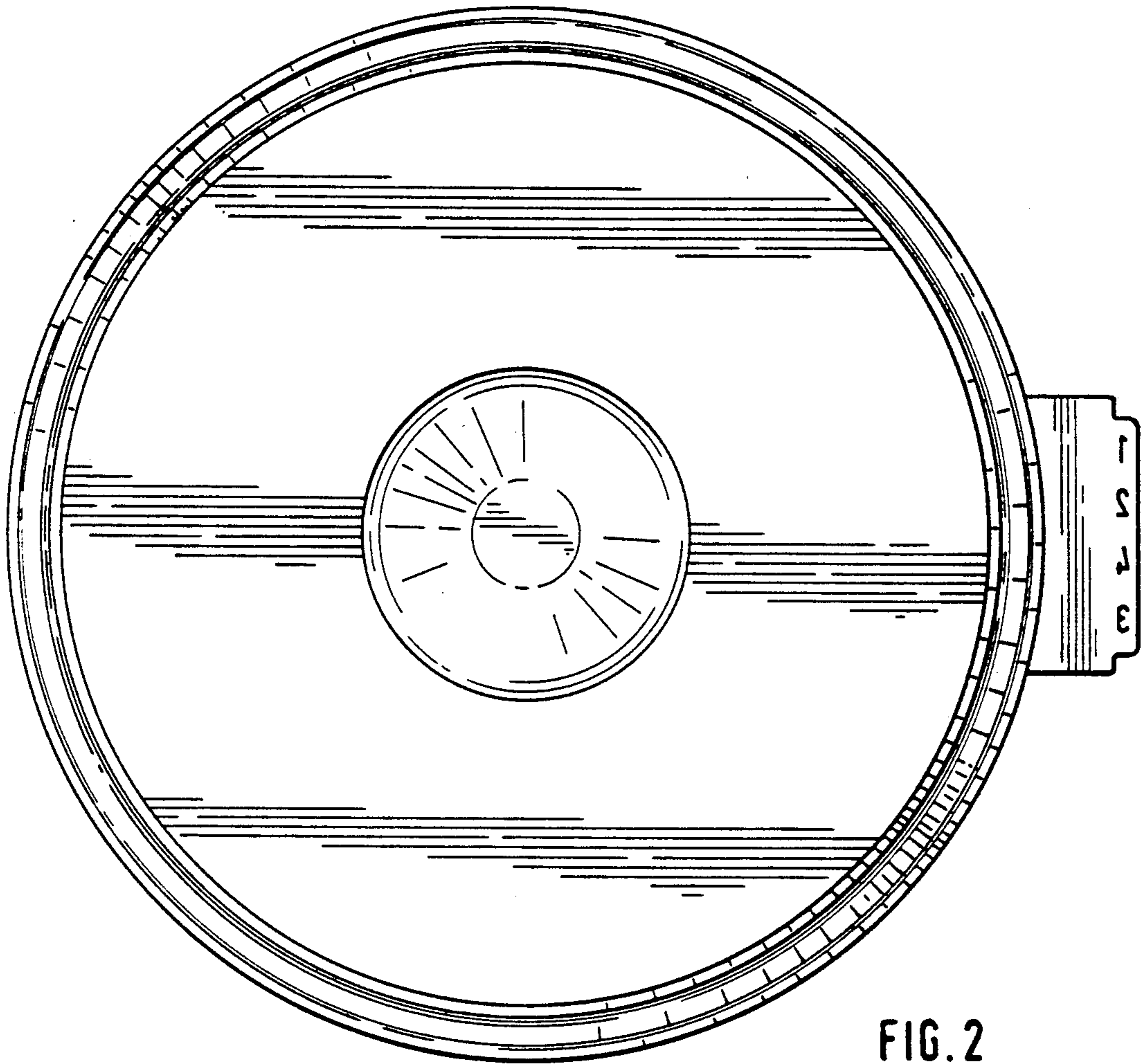
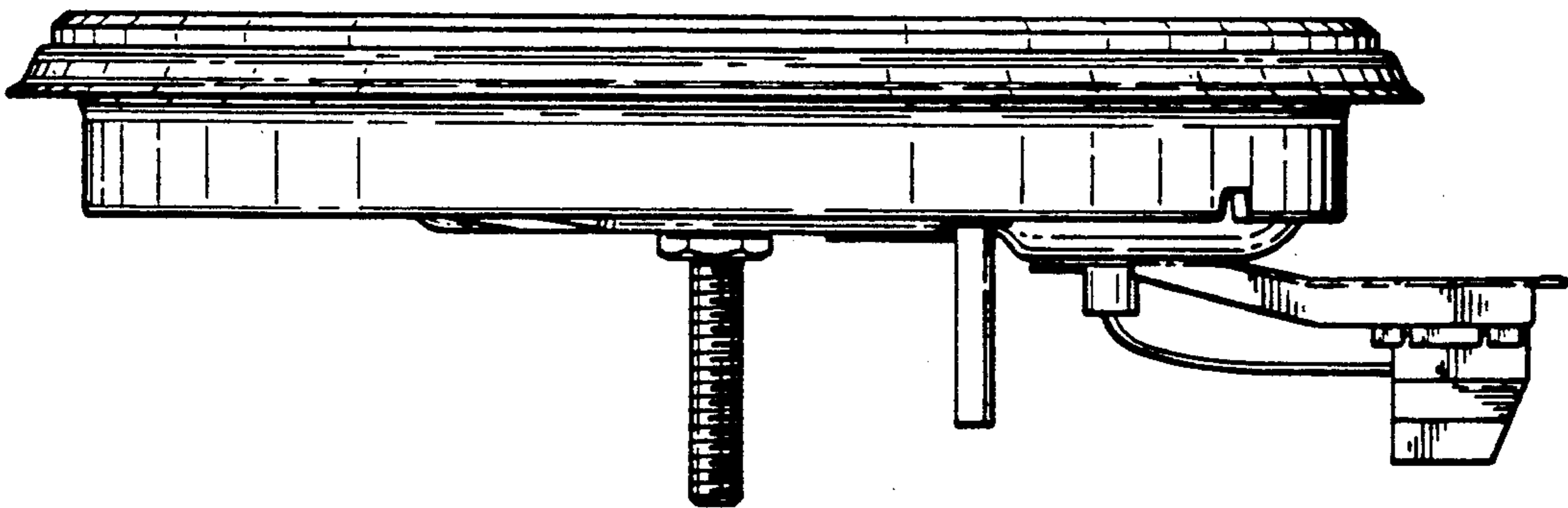


FIG. 3



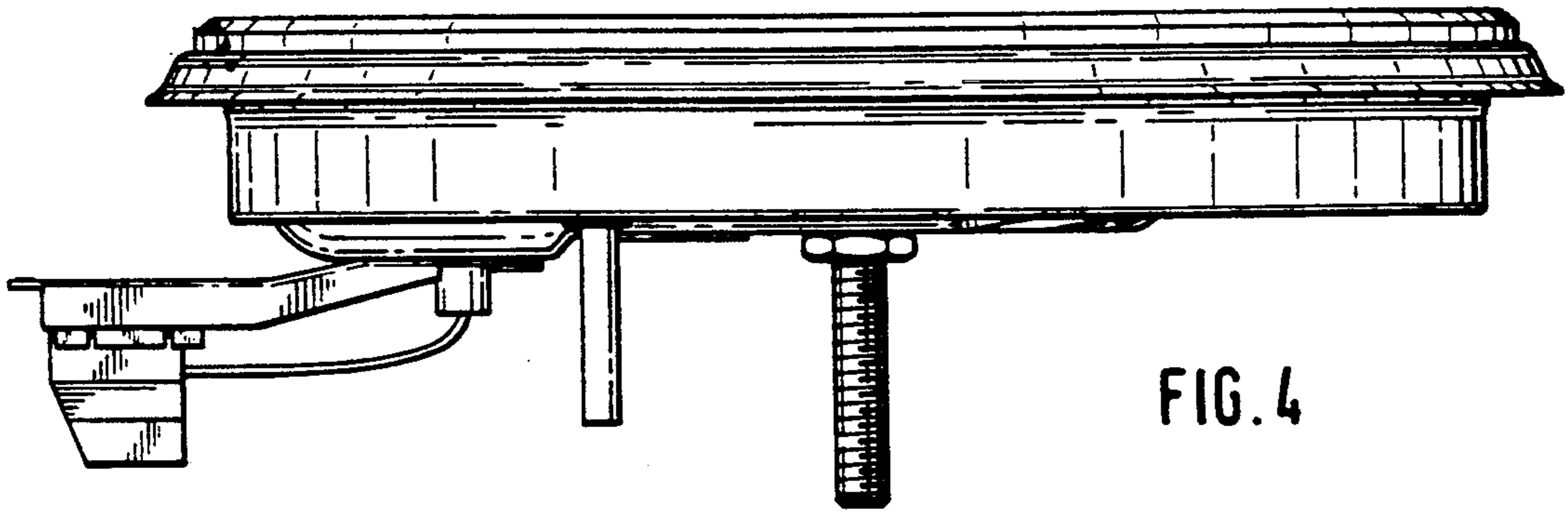


FIG. 4

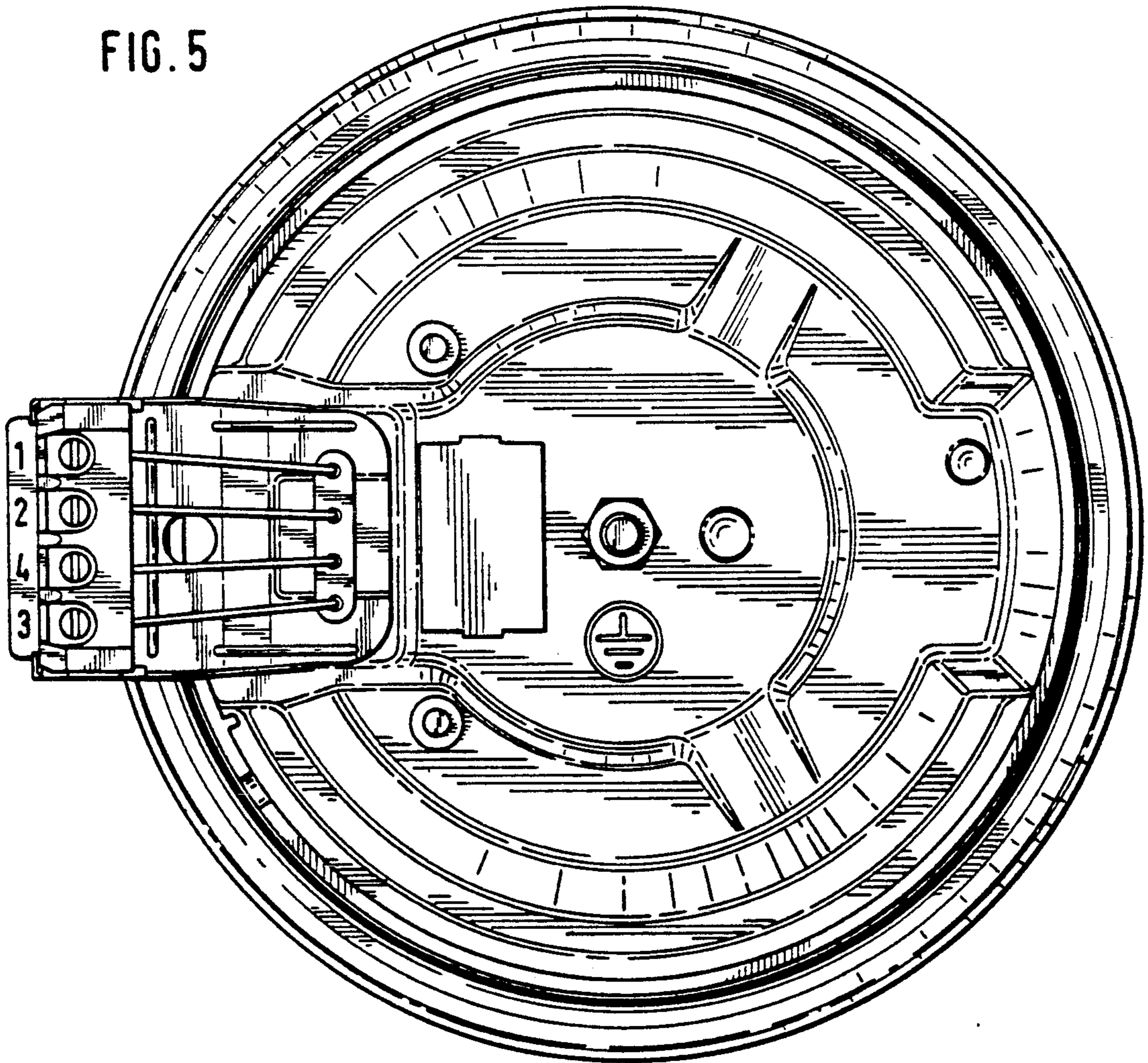


FIG. 5

FIG. 6

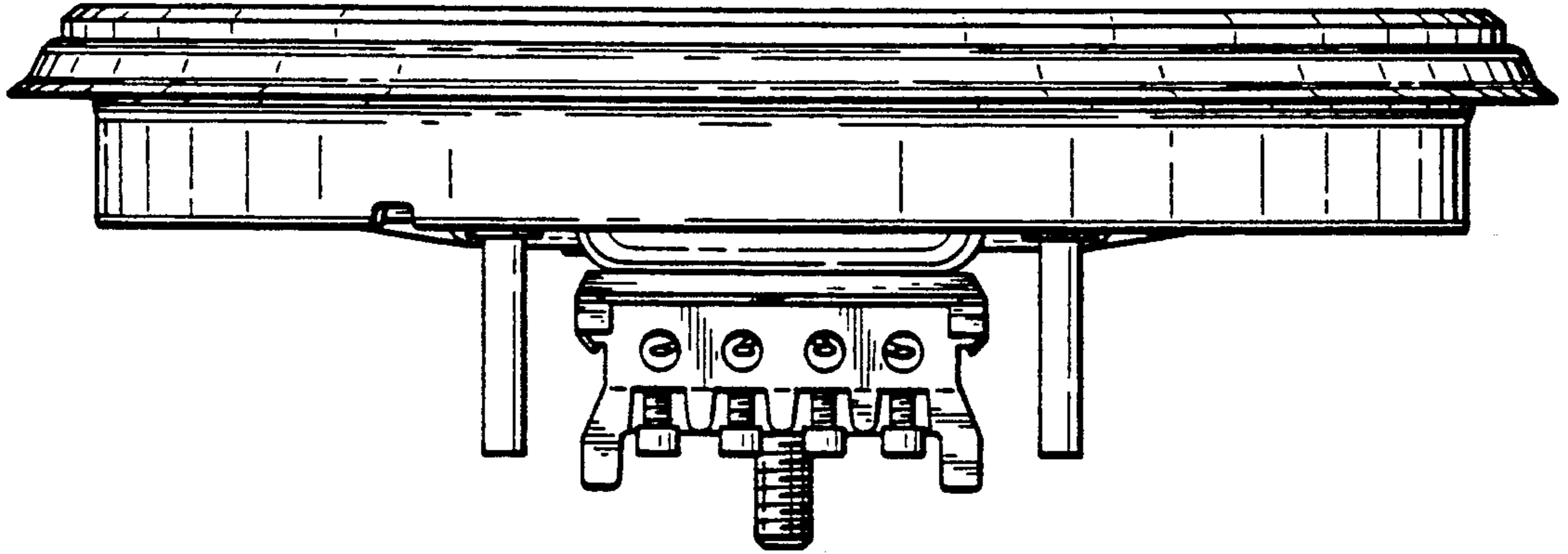


FIG. 7

