



US00D326981S

United States Patent [19]

[11] Patent Number: **Des. 326,981**

Balven

[45] Date of Patent: **** Jun. 16, 1992**

[54] **GRATE LOCK**

3,163,389 12/1964 Thornburgh 248/301
4,729,496 3/1988 Davidson 24/563

[76] Inventor: **Russell A. Balven**, 9852 Zenith Dr.,
Affton, Mo. 63123

Primary Examiner—A. Hugo Word
Assistant Examiner—Ruth McInroy
Attorney, Agent, or Firm—Veo Peoples, Jr.

[**] Term: **14 Years**

[21] Appl. No.: **375,519**

[57] **CLAIM**

[22] Filed: **Jul. 5, 1989**

The ornamental design for a grate lock, as shown and described.

[52] U.S. Cl. **D7/402**

[58] Field of Search **D7/402, 407, 409;**
D8/366, 371; 248/301, 215, 351, 399; 126/25 R,
25 B, 29-30, 9 R, 9 B, 38, 37 R; 24/570, 563,
343

DESCRIPTION

FIG. 1 is a reduced perspective view of a grate lock showing my new design, the stove shown in broken lines is for illustrative purposes only and forms no part of the claimed design;

[56] **References Cited**

U.S. PATENT DOCUMENTS

D. 131,229	1/1942	Allen	D6/566
D. 259,243	5/1981	Argante	D8/366
674,438	5/1901	Edmundson	248/301
1,120,385	12/1914	Hunt	248/301
2,286,118	6/1942	Sleeth	248/301
3,146,981	9/1964	Wheeler	248/301

FIG. 2 is a top, front and left side perspective view thereof;

FIG. 3 is a front elevational view thereof;

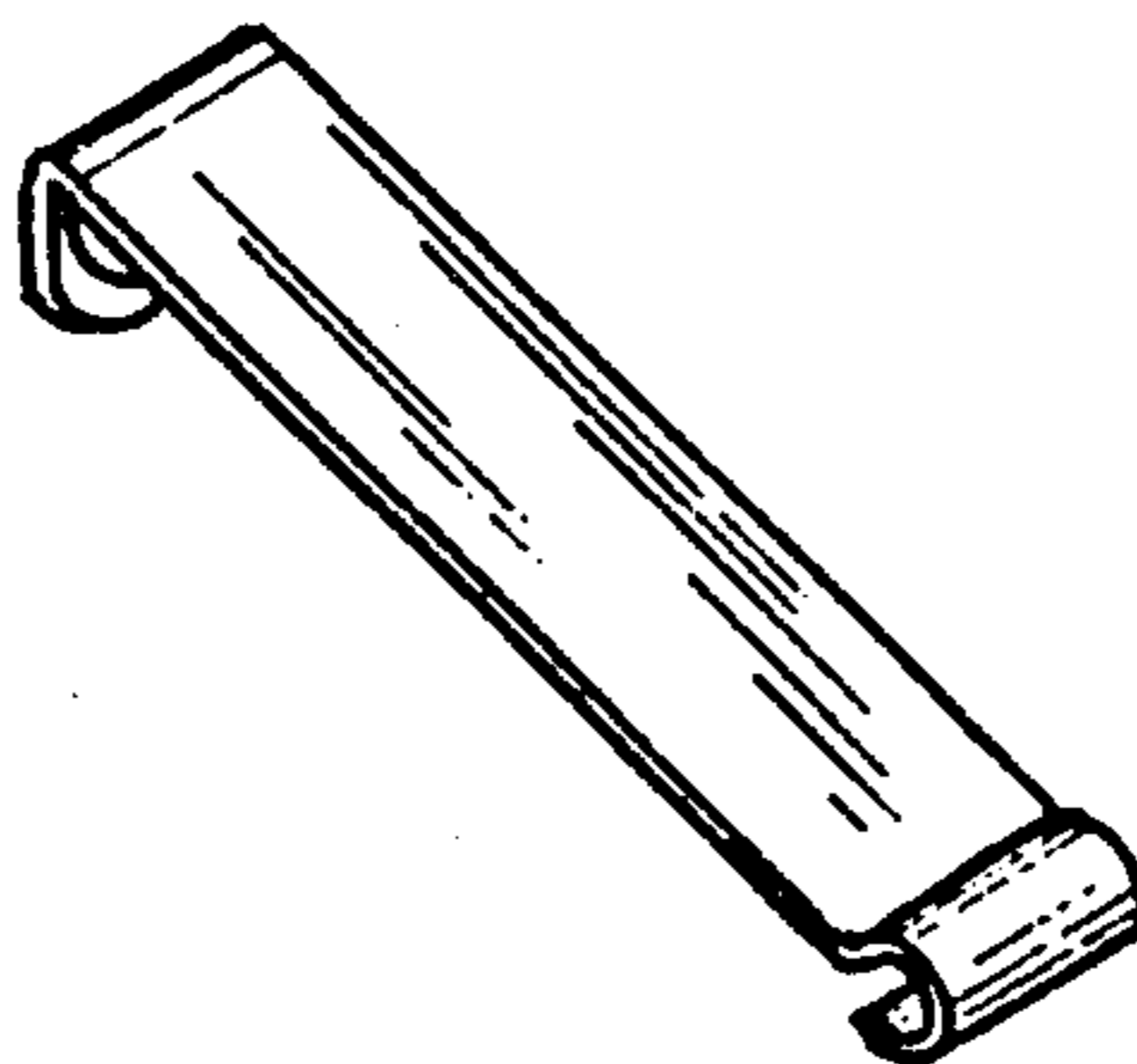
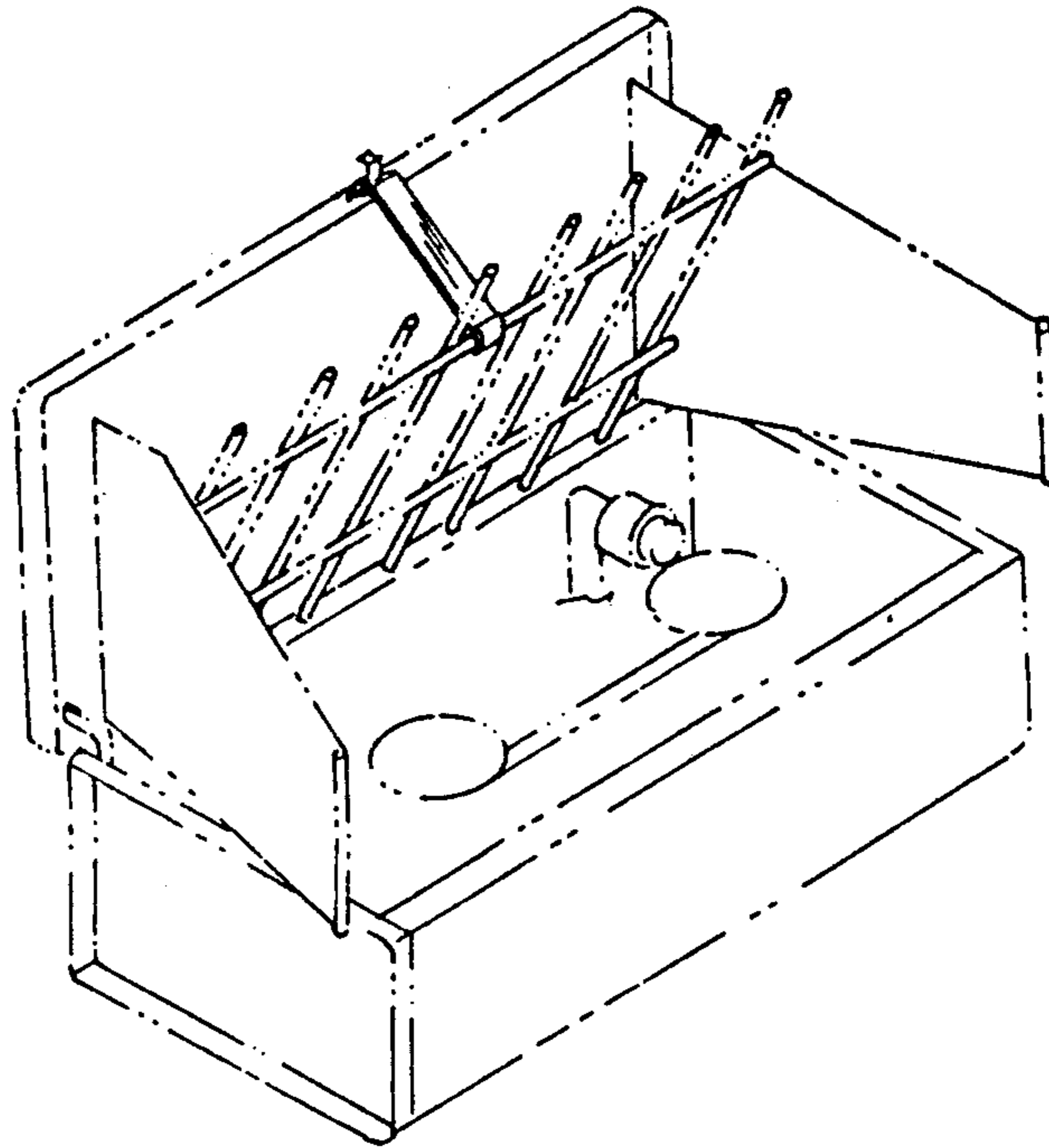
FIG. 4 is a bottom plan view thereof;

FIG. 5 is a left side elevational view thereof;

FIG. 6 is a right side elevational view thereof;

FIG. 7 is a rear elevational view thereof; and,

FIG. 8 is a top plan view thereof.



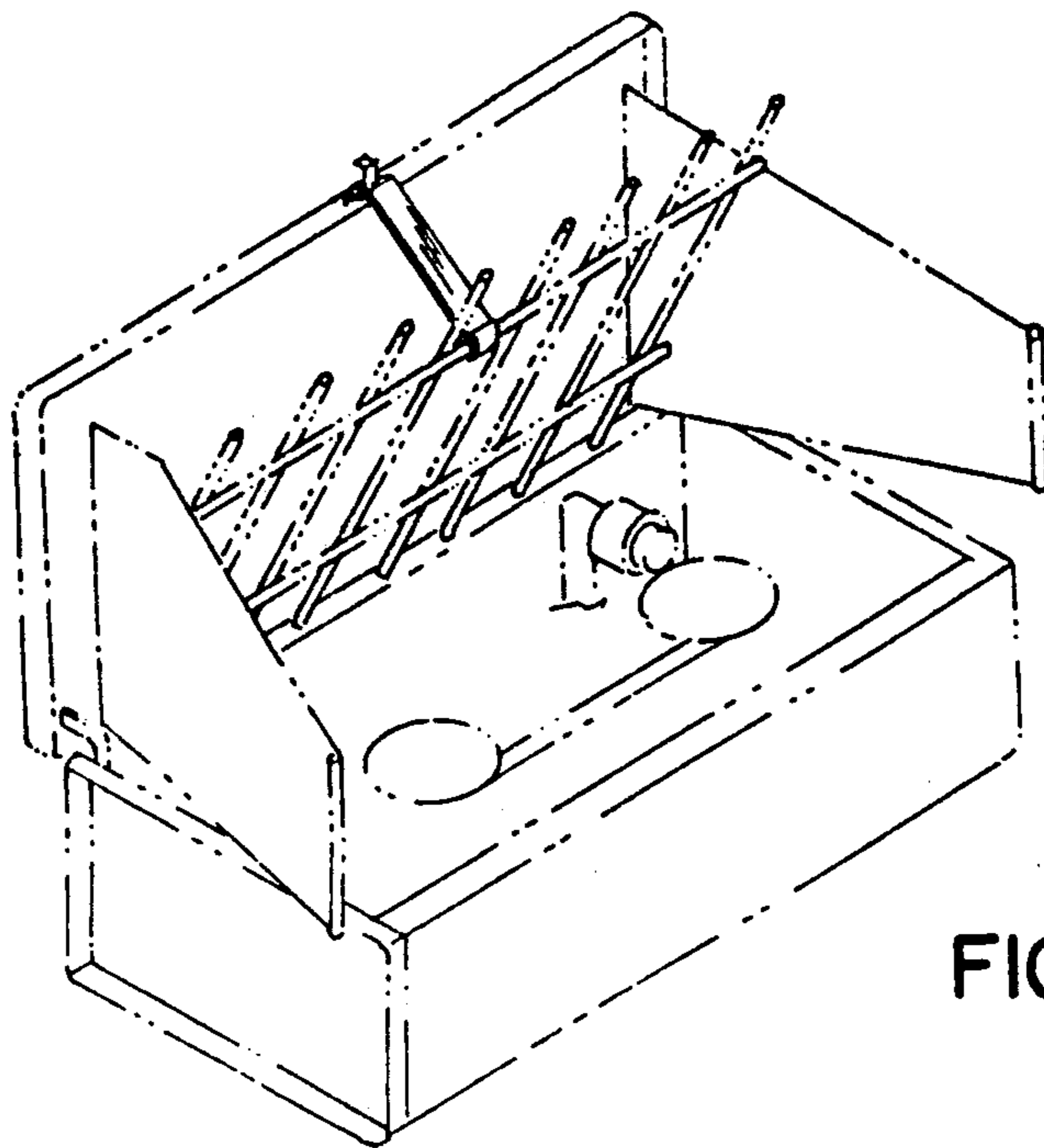


FIG. 1.

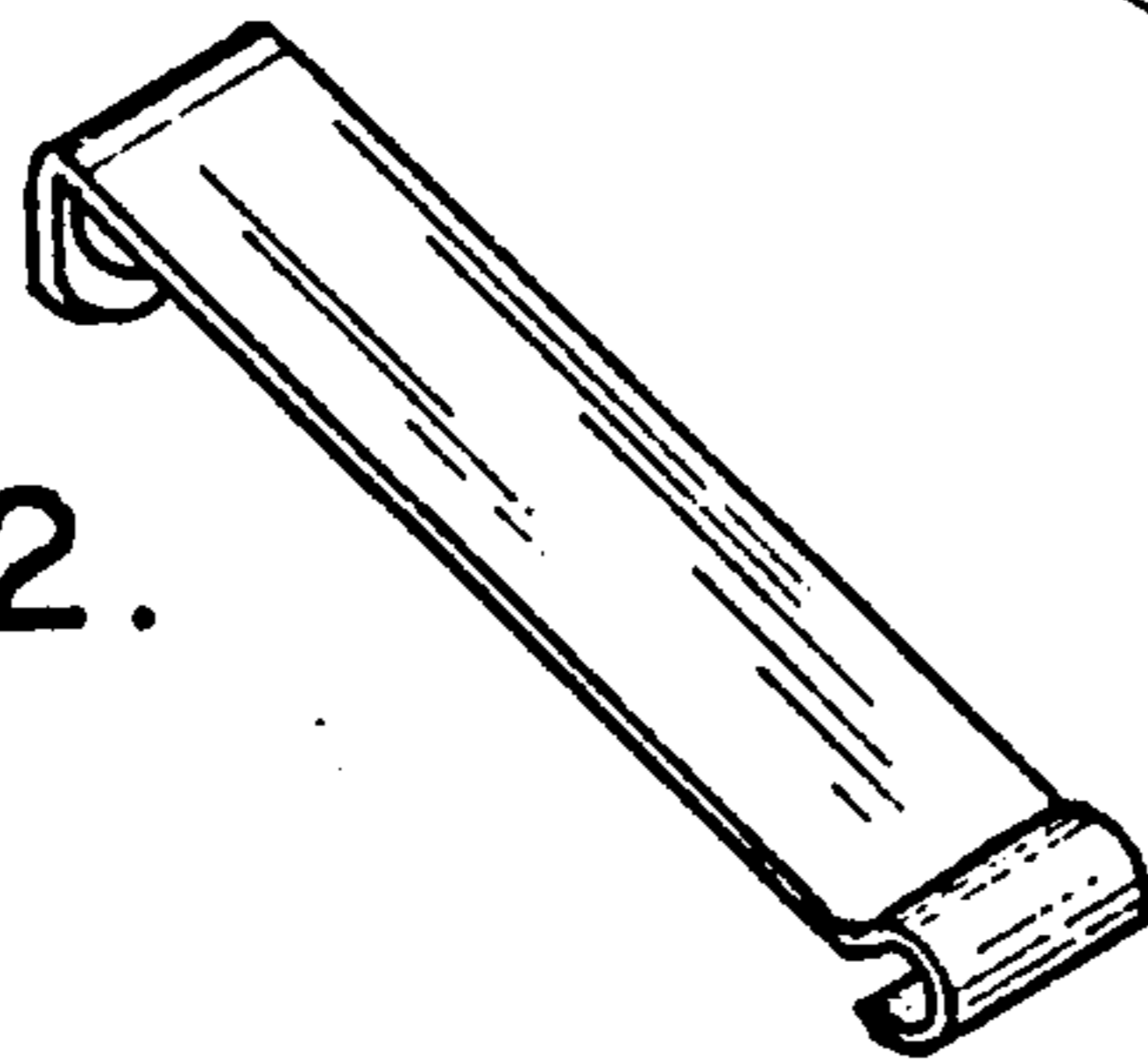


FIG. 2.



FIG. 3.



FIG. 4.

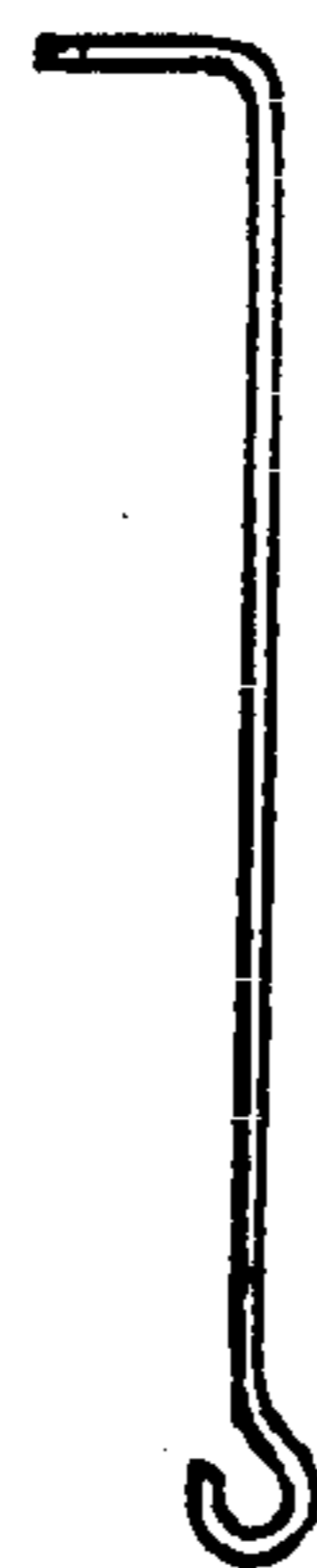


FIG. 5.

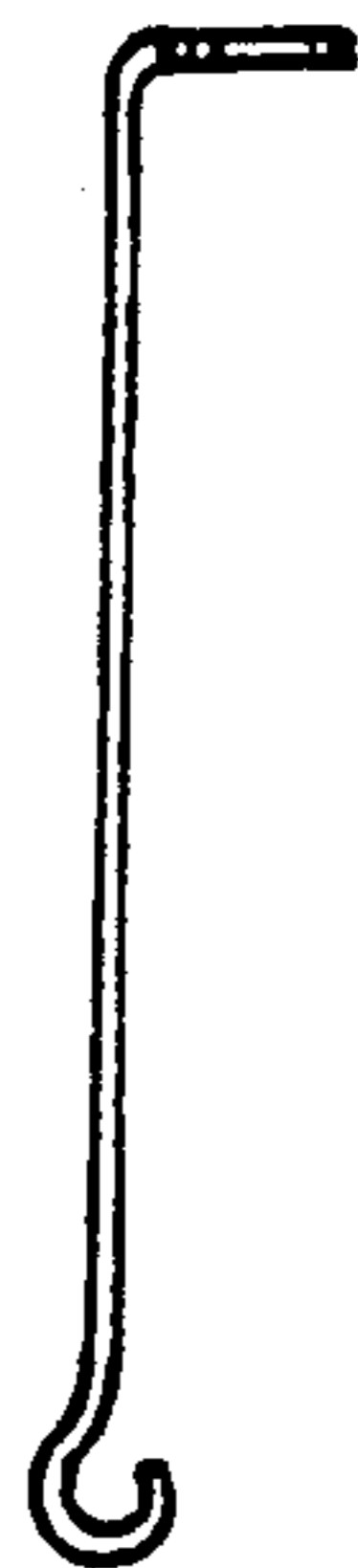


FIG. 6.

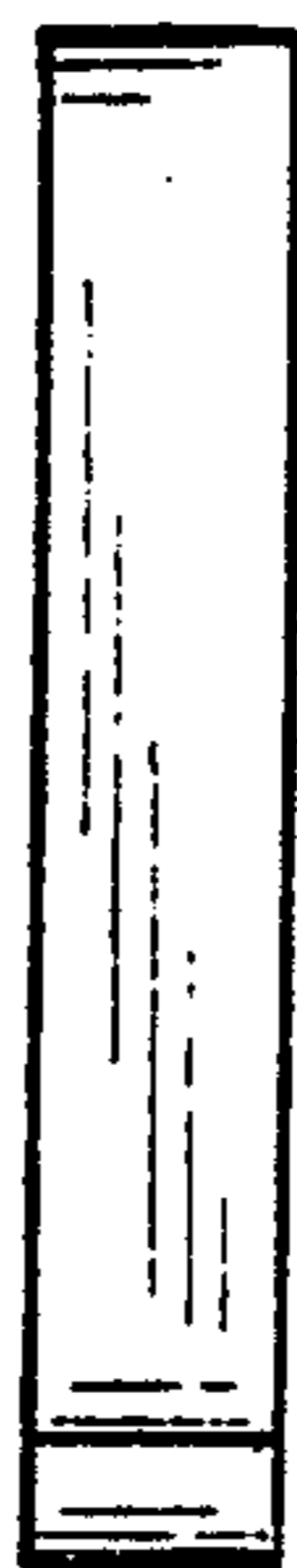


FIG. 8.



FIG. 7.