



US00D326979S

United States Patent [19]

[11] Patent Number: **Des. 326,979**

Wolff

[45] Date of Patent: **** Jun. 16, 1992**

[54] COVER FOR A FOOD STORAGE CONTAINER OR THE LIKE

[75] Inventor: **Martin J. Wolff**, North Providence, R.I.

[73] Assignee: **Dart Industries Inc.**, Deerfield, Ill.

[**] Term: **14 Years**

[21] Appl. No.: **274,896**

[22] Filed: **Nov. 21, 1988**

[52] U.S. Cl. **D7/391; D7/392.1**

[58] Field of Search **D7/538, 541, 391, 392.1, D7/602, 629; D9/435, 425, 416**

[56] **References Cited**

U.S. PATENT DOCUMENTS

D. 184,057	12/1958	Kearn	D9/425
D. 192,053	1/1962	Sundberg	D9/435
D. 220,381	4/1971	Buxton	D9/435
D. 287,573	1/1987	Tyler	D9/435
3,237,549	3/1966	Pospischil	D7/629 X

OTHER PUBLICATIONS

Tupperware Collection Summer 1986, p. 5—Cover on #44 and #58/Modular Mates.

Gift & Decorative Accessories, Nov. 1975, p. 39, Cover on China Stacking Bowls, top left panel.

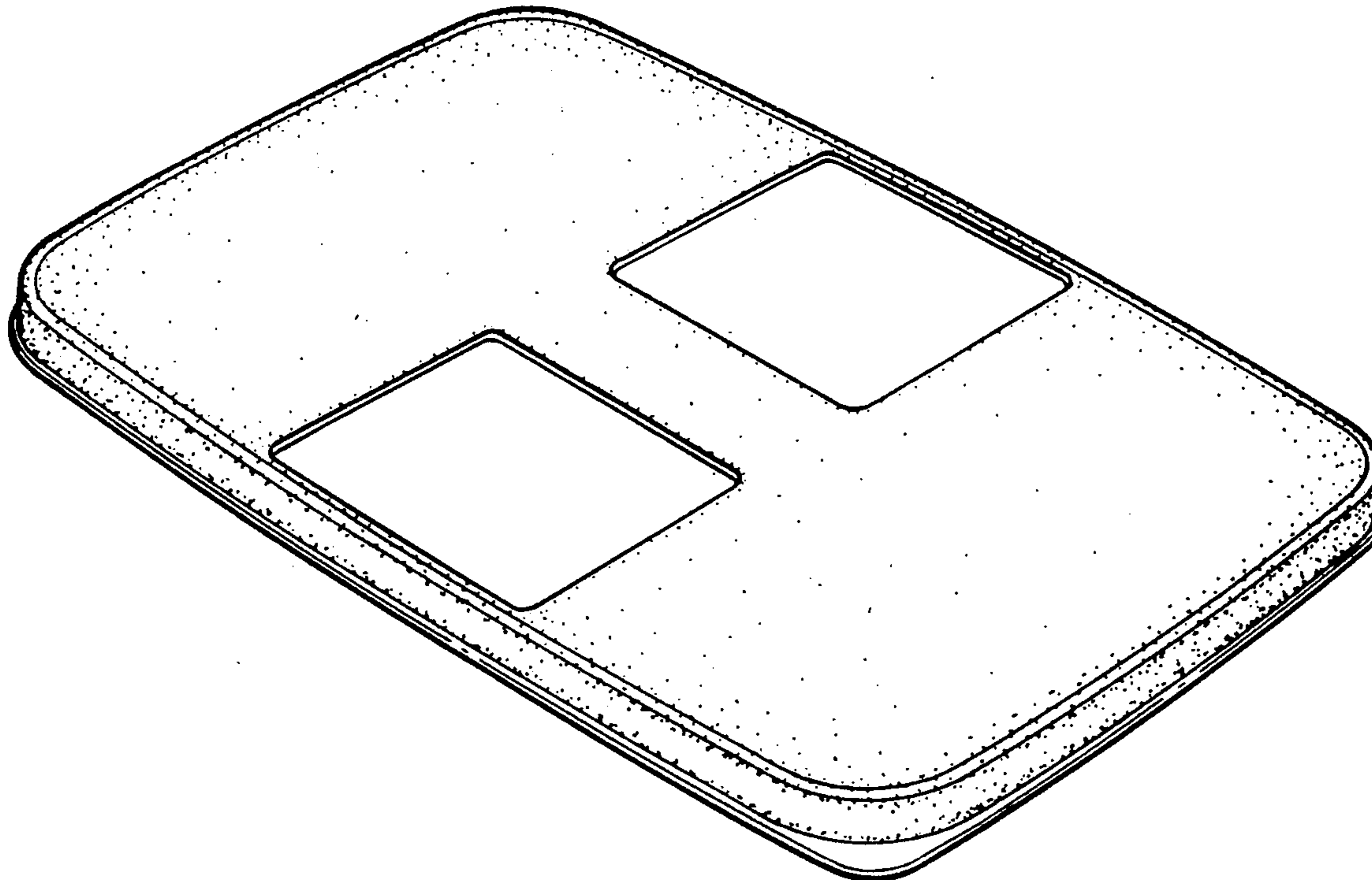
Primary Examiner—Donald P. Walsh
Assistant Examiner—Caron D. Veynar
Attorney, Agent, or Firm—John A. Doninger

[57] **CLAIM**

The ornamental design for a cover for a food storage container or the like, as shown.

DESCRIPTION

FIG. 1 is a top perspective view of the cover for a food storage container or the like showing my new design; FIG. 2 is a top plan view thereof; FIG. 3 is a bottom plan view thereof; FIG. 4 is a left side elevational view thereof; FIG. 5 is a right side elevational view thereof; FIG. 6 is a left end elevational view thereof; FIG. 7 is a right end elevational view thereof; and, FIG. 8 is a cross-sectional view taken along line 8—8 of FIG. 2.



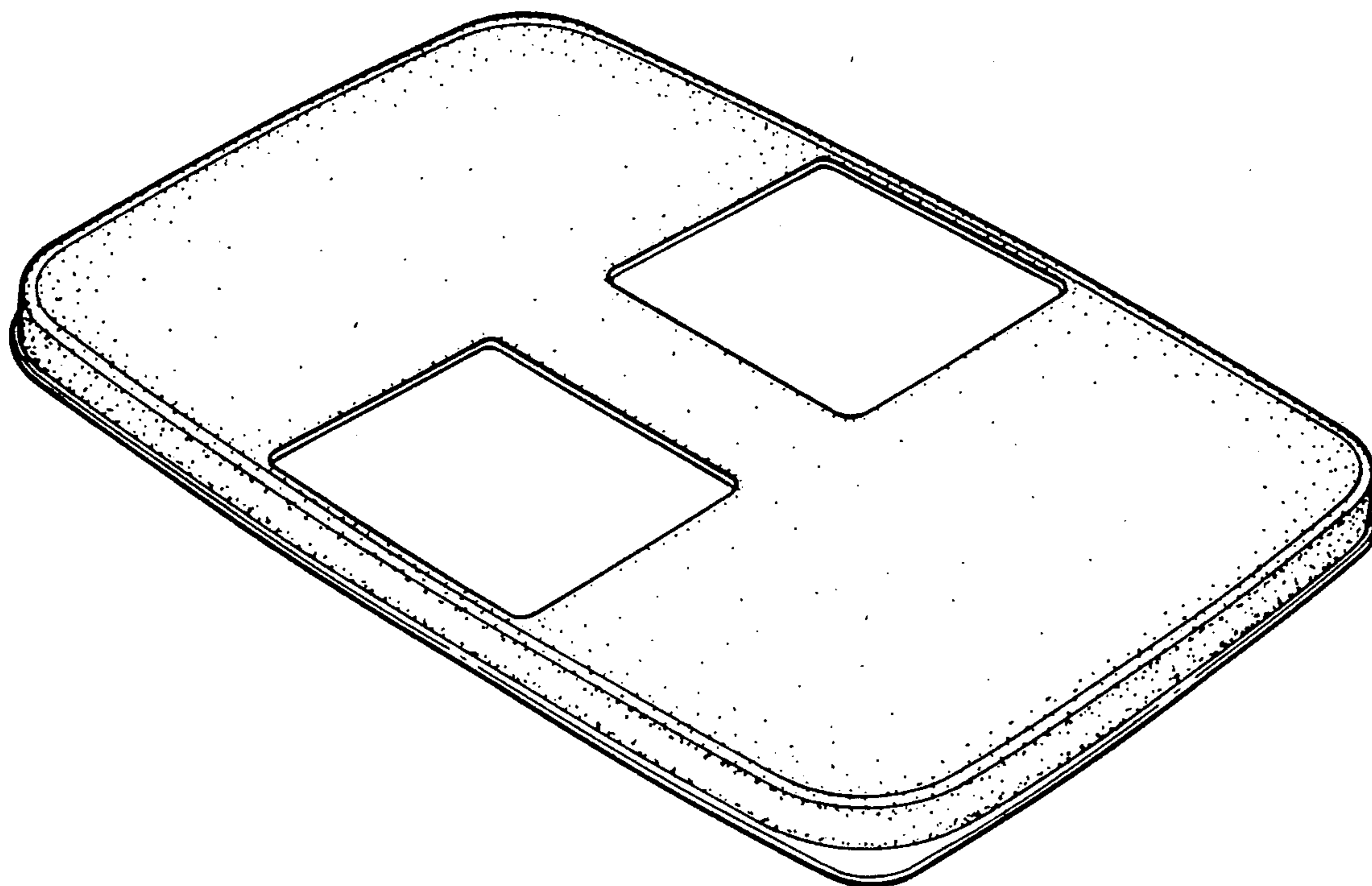


FIG. 1

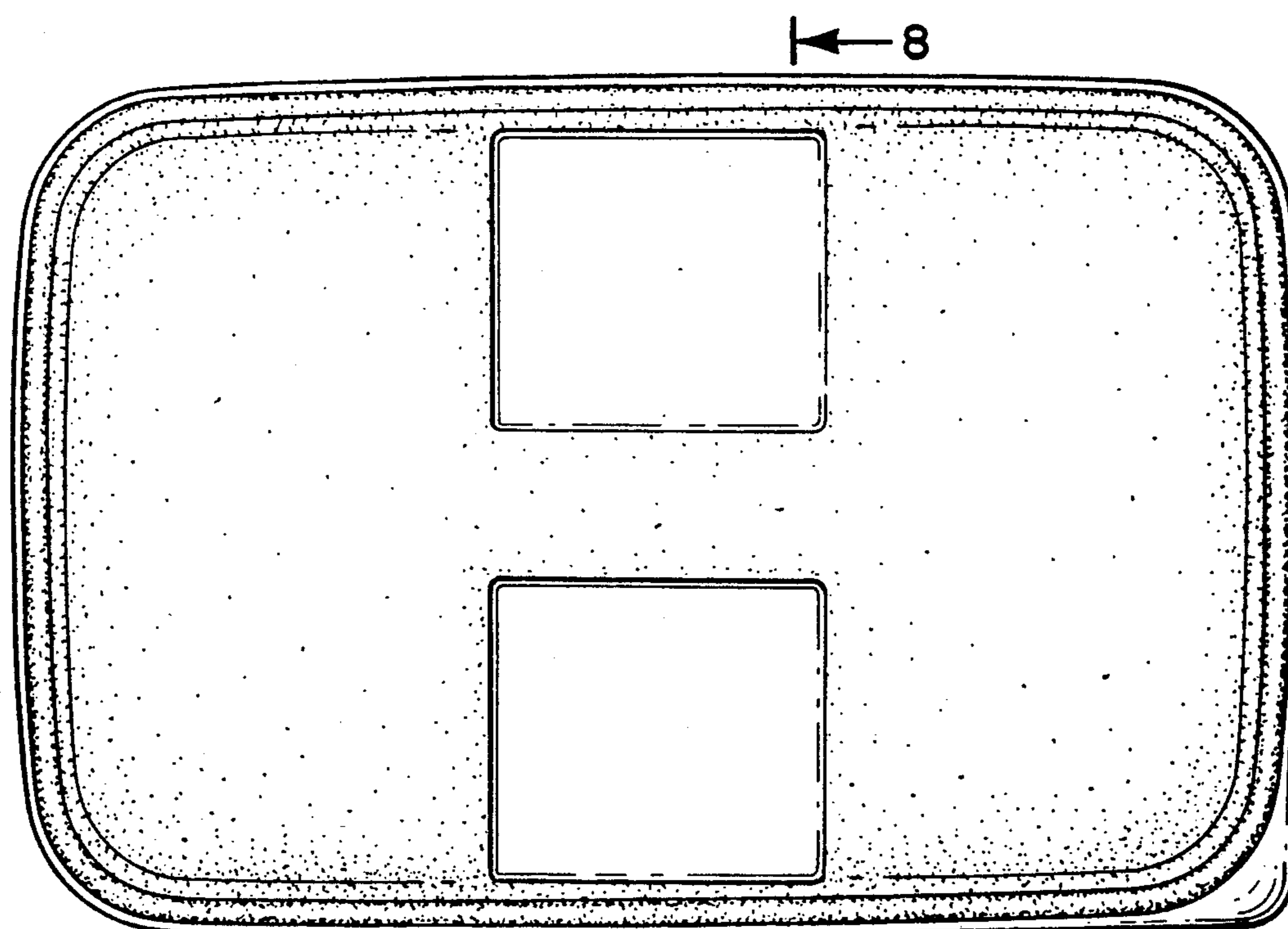


FIG. 2

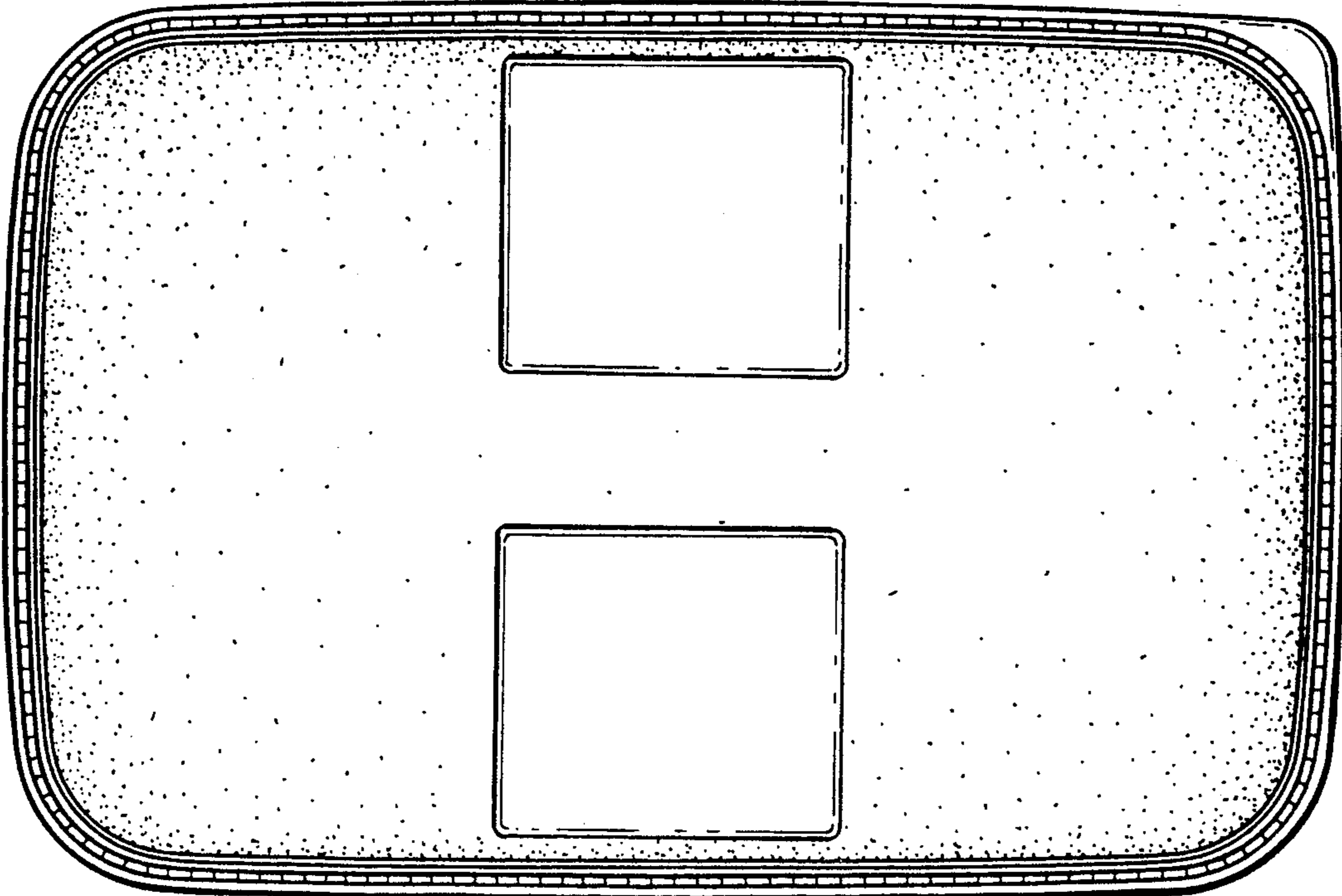


FIG. 3

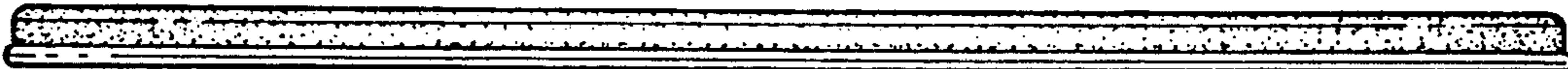


FIG. 4

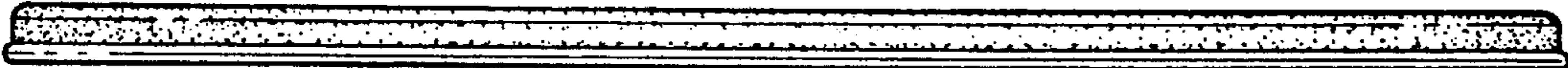


FIG. 5

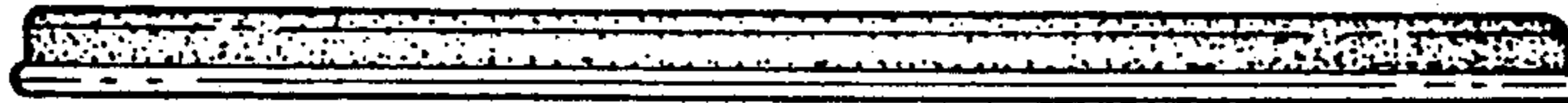


FIG. 6

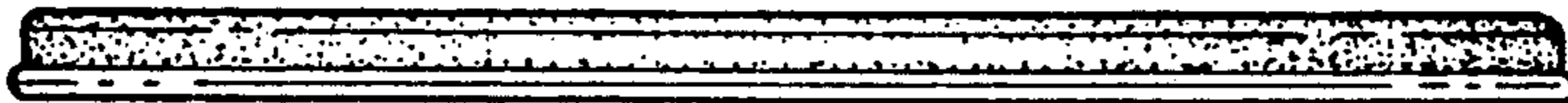


FIG. 7



FIG. 8