



US00D326977S

United States Patent [19]

[11] Patent Number: **Des. 326,977**

Larson

[45] Date of Patent: **** Jun. 16, 1992**

[54] **COMBINED WATER DISPENSER AND CONTAINER**

[75] Inventor: **Raymond L. Larson, Fargo, N. Dak.**

[73] Assignee: **BMR Investments, Inc., Fargo, N. Dak.**

[**] Term: **14 Years**

[21] Appl. No.: **355,392**

[22] Filed: **May 22, 1989**

2,635,604	4/1953	Fredrickson .
3,195,752	7/1965	Cox .
3,341,047	9/1967	Nauta .
3,688,950	9/1972	Parish .
3,717,277	2/1973	Stengle, Jr. .
3,910,461	10/1975	Eager D7/313 X
4,362,256	12/1982	Polasek D7/313 X
4,391,308	7/1983	Steiner .
4,629,096	12/1986	Schroer et al. .
4,658,975	4/1987	Cone .
4,805,808	2/1987	Larson 222/185

Related U.S. Application Data

[63] Continuation-in-part of Ser. No. 20,648, Mar. 2, 1987, Pat. No. D. 309,231.

[52] U.S. Cl. **D7/313; D7/312**

[58] Field of Search **D7/313, 312, 306, 311, D7/322, 310, 319, 317, 397; D9/370, 380, 378, 394, 376; 62/389, 391, 397, 390; 141/375, 363, 364; 312/236; 222/185, 466, 181**

[56] **References Cited**

U.S. PATENT DOCUMENTS

D.Re. 25,316	1/1963	Stenger et al. .	
D. 106,061	9/1937	Reeves	D7/306
D. 171,528	2/1954	Canter .	
D. 194,069	11/1962	Houghton .	
D. 194,631	2/1963	Eicholtz .	
D. 197,918	4/1964	Petitto .	
D. 200,655	3/1965	De Fano	D7/313
D. 209,929	1/1968	Plummer .	
D. 214,973	8/1969	Amand .	
D. 227,654	7/1973	Byrne .	
D. 233,134	10/1974	Sinding .	
D. 235,310	6/1975	Betka .	
D. 243,121	1/1977	Ralston, Jr. et al. .	
D. 244,427	5/1977	Schieser et al. .	
D. 244,990	7/1977	Anderson .	
D. 248,440	7/1970	Bryan et al.	D7/313
D. 275,734	10/1984	Voice .	
D. 280,709	9/1985	Waring .	
D. 282,957	3/1986	Carlson .	
D. 284,033	5/1986	Brodsky .	
D. 288,293	2/1987	Arvans .	
D. 303,496	9/1989	Larson	D9/370
D. 303,497	9/1989	Larson	D9/370
991,417	5/1911	Boggs .	
2,502,298	3/1950	White .	

FOREIGN PATENT DOCUMENTS

1465560	12/1966	France .
110547	1/1965	Netherlands .

OTHER PUBLICATIONS

Consumer Reports, Jan. 1987, pp. 42-48—"Water, Water Everywhere".

Primary Examiner—Donald P. Walsh
Assistant Examiner—M. N. Pandozzi

[57] **CLAIM**

The ornamental design for a combined water dispenser and container, as shown and described.

DESCRIPTION

FIG. 1 is a top, front left perspective view of a combined water dispenser and container showing my new design;

FIG. 2 is a front elevational view thereof;

FIG. 3 is a left side elevational view thereof;

FIG. 4 is a rear elevational view thereof;

FIG. 5 is a bottom plan view thereof;

FIG. 6 is a top plan view thereof;

FIG. 7 is a right side elevational view thereof;

FIG. 8 is a top, front, left perspective view of a combined water dispenser and container showing a second embodiment of my new design;

FIG. 9 is a front elevational view thereof;

FIG. 10 is a left side elevational view thereof;

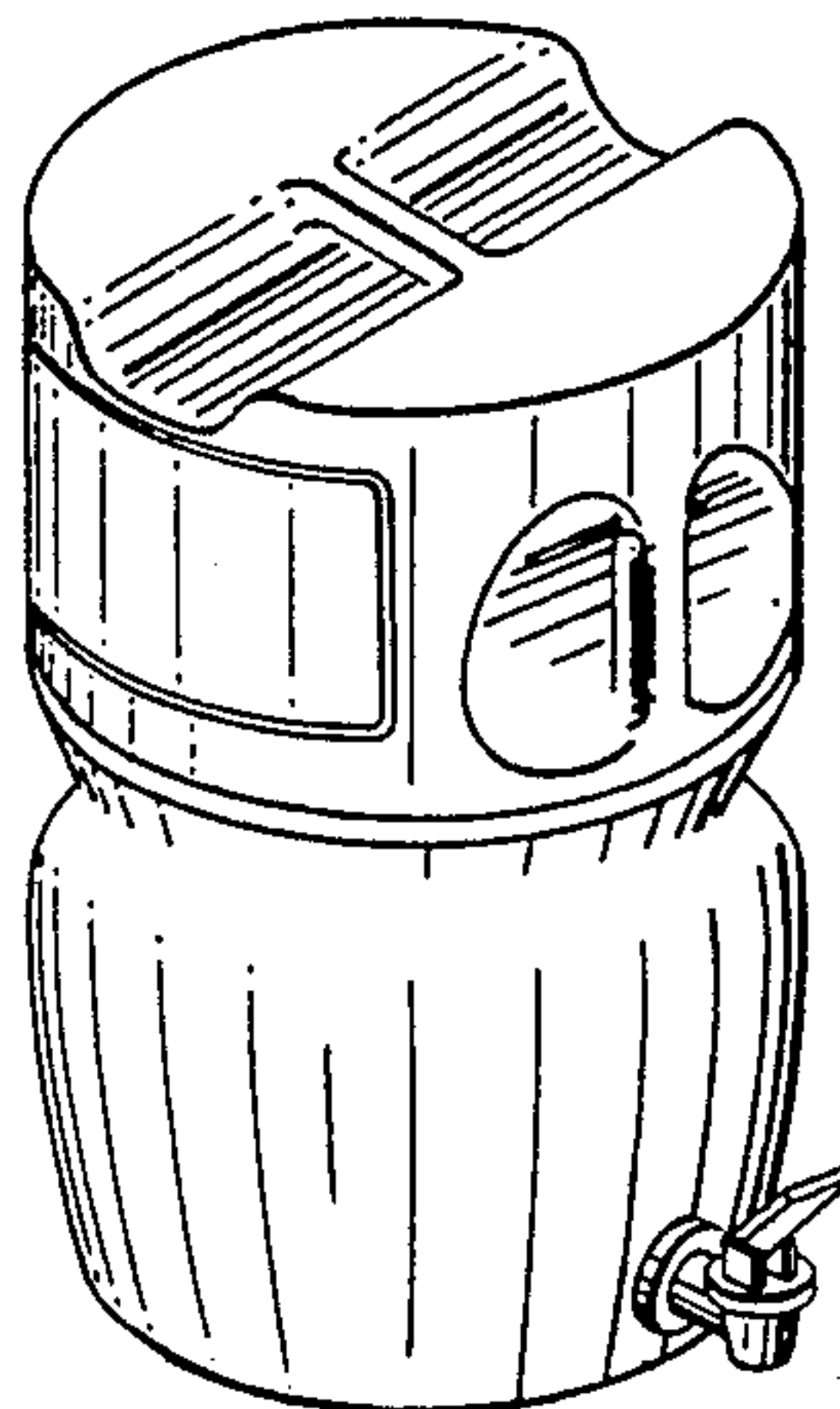
FIG. 11 is a rear elevational view thereof;

FIG. 12 is a right side elevational view thereof;

FIG. 13 is a top plan view thereof;

FIG. 14 is a bottom plan view thereof;

FIG. 15 is a top, front, left perspective view of a com-



bined water dispenser and container showing a third embodiment of my new design;

FIG. 16 is a front elevational view thereof;

FIG. 17 is a left side elevational view thereof;

FIG. 18 is a rear elevational view thereof;

FIG. 19 is a right side elevational view thereof;

FIG. 20 is a top plan view thereof;

FIG. 21 is a bottom plan view thereof;

FIG. 22 is a top, front, left perspective view of a com-

bined water dispenser and container showing a fourth embodiment of my new design;

FIG. 23 is a front elevational view thereof;

FIG. 24 is a left side elevational view thereof;

FIG. 25 is a rear elevational view thereof;

FIG. 26 is a right side elevational view thereof;

FIG. 27 is a top plan view thereof; and,

FIG. 28 is a bottom plan view thereof.

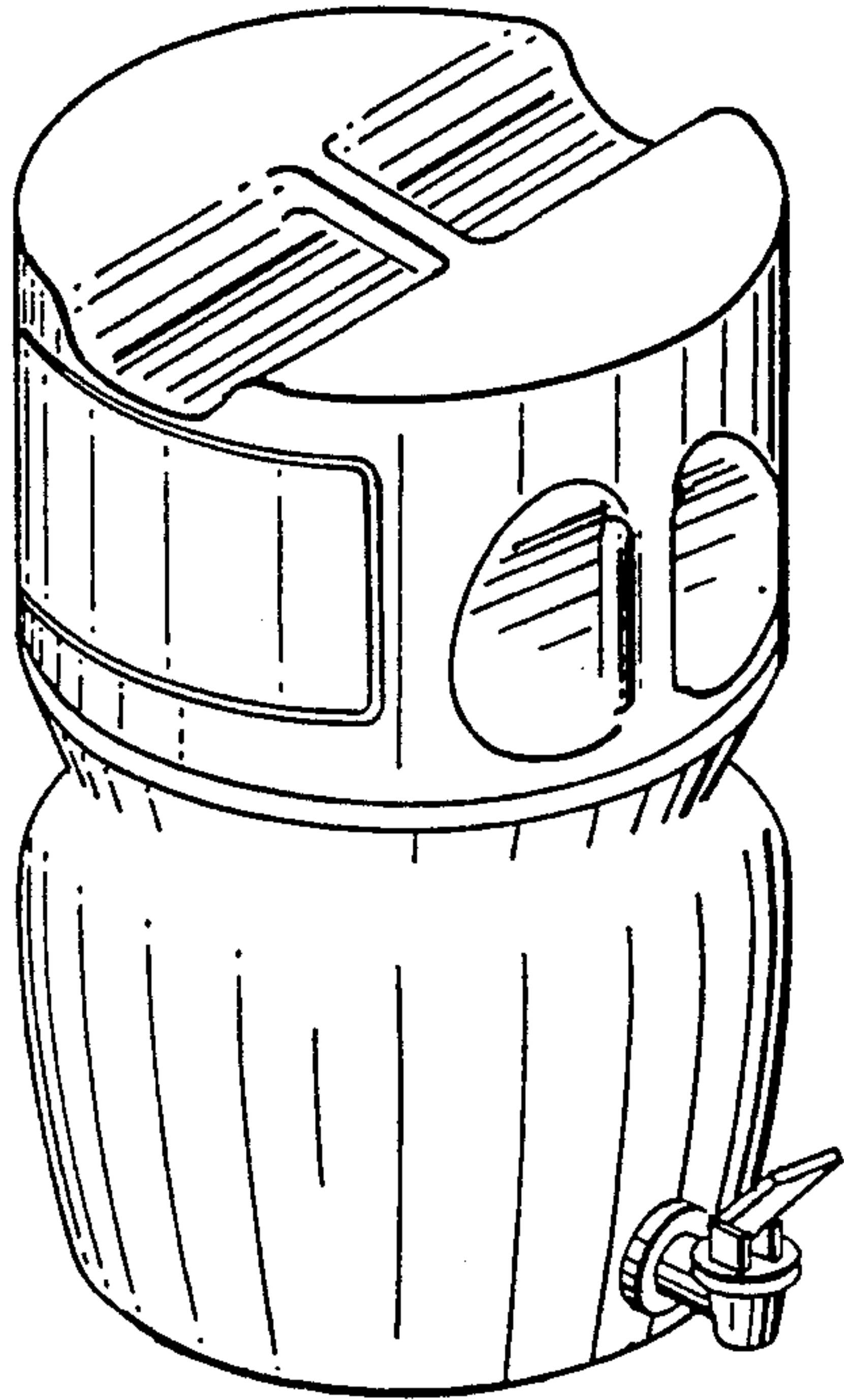


Fig. 1

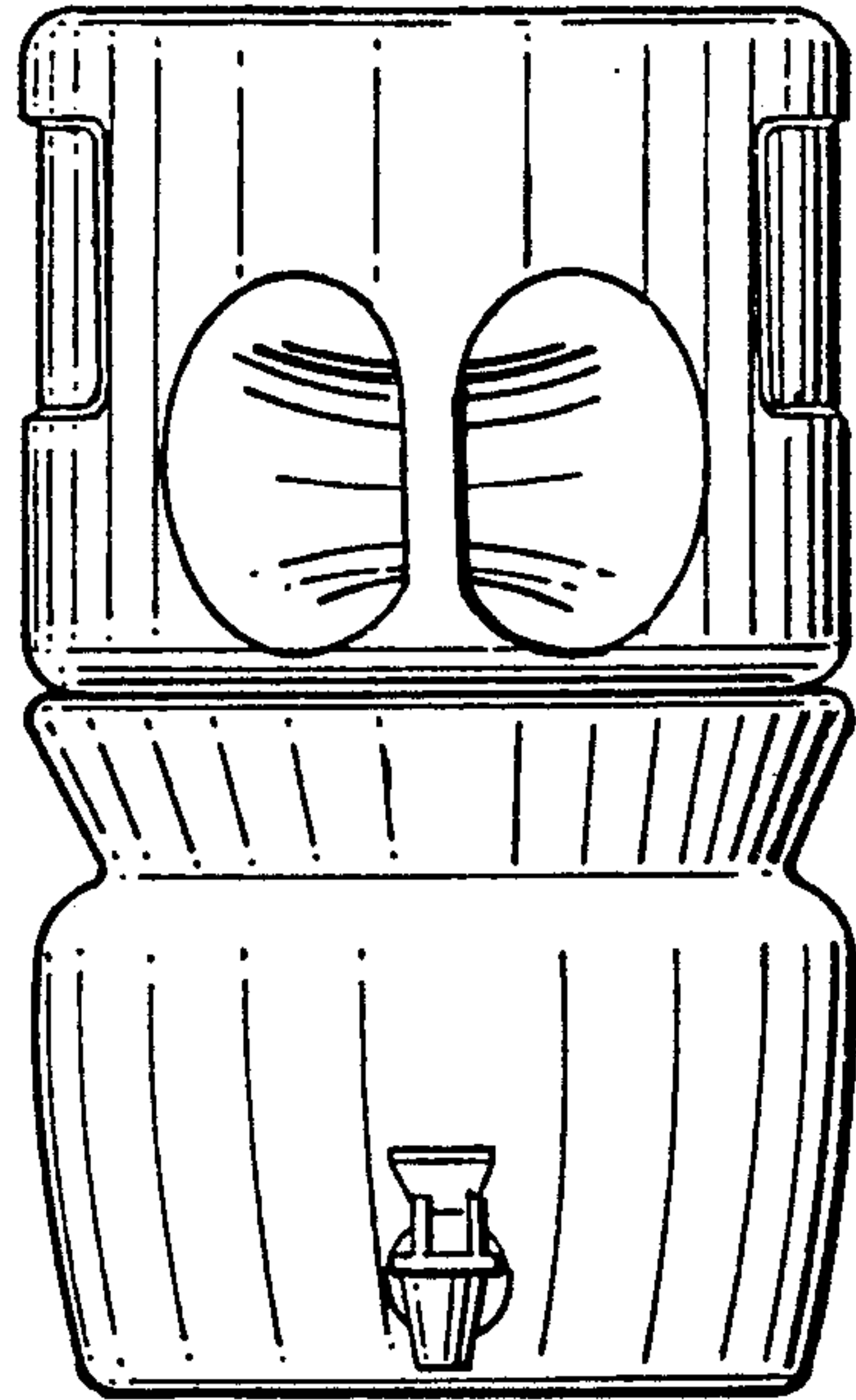


Fig. 2

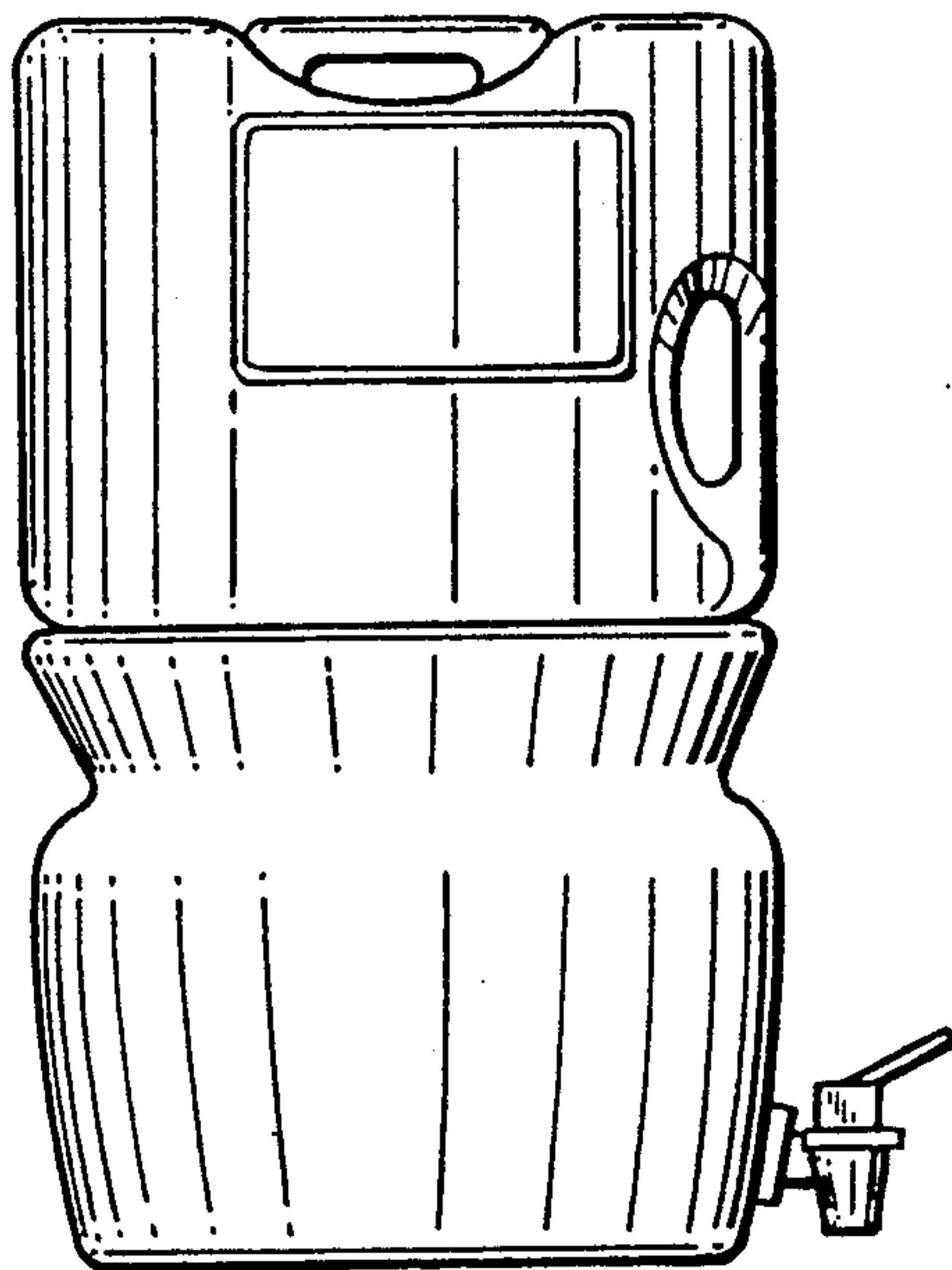


Fig. 3

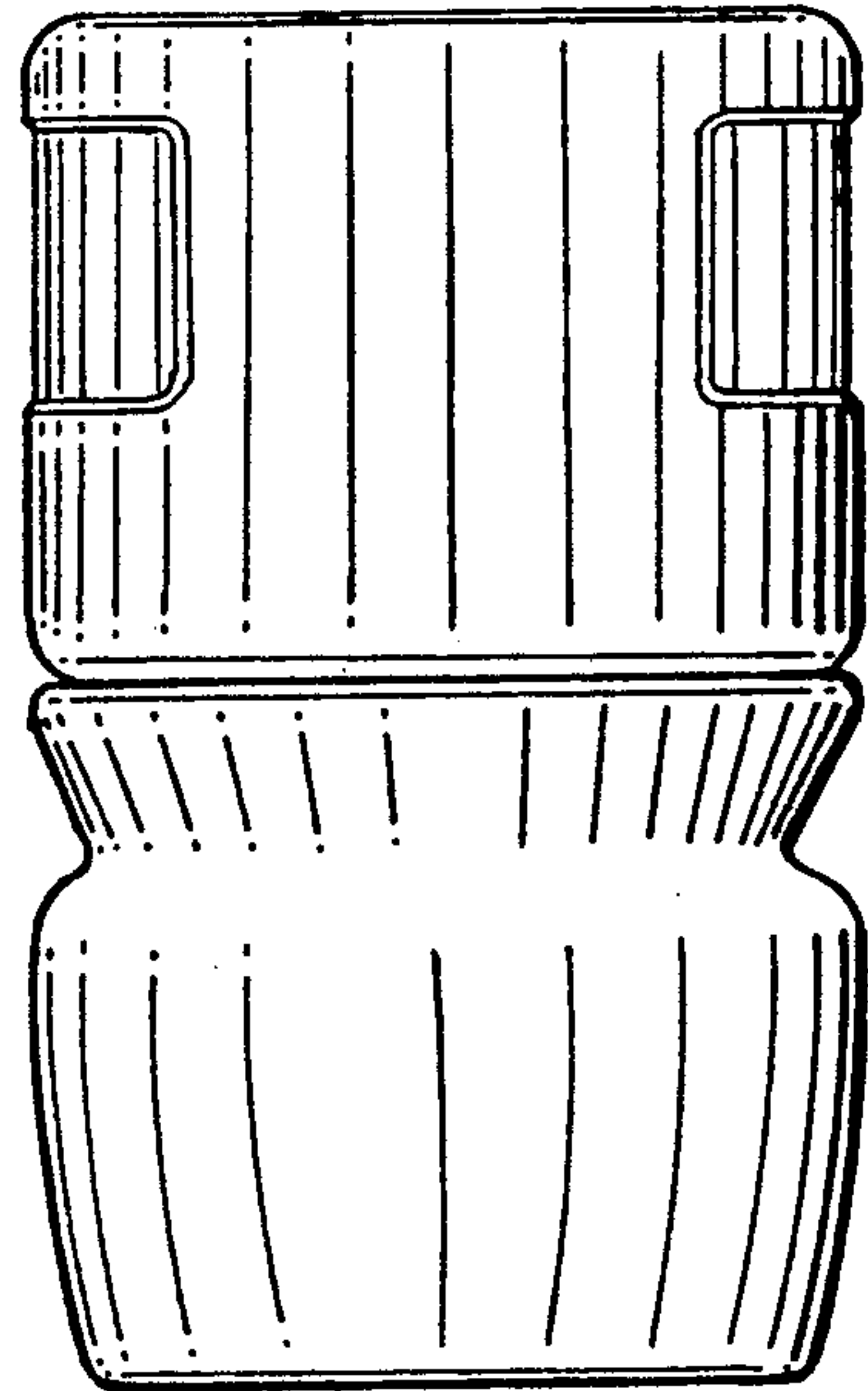


Fig. 4

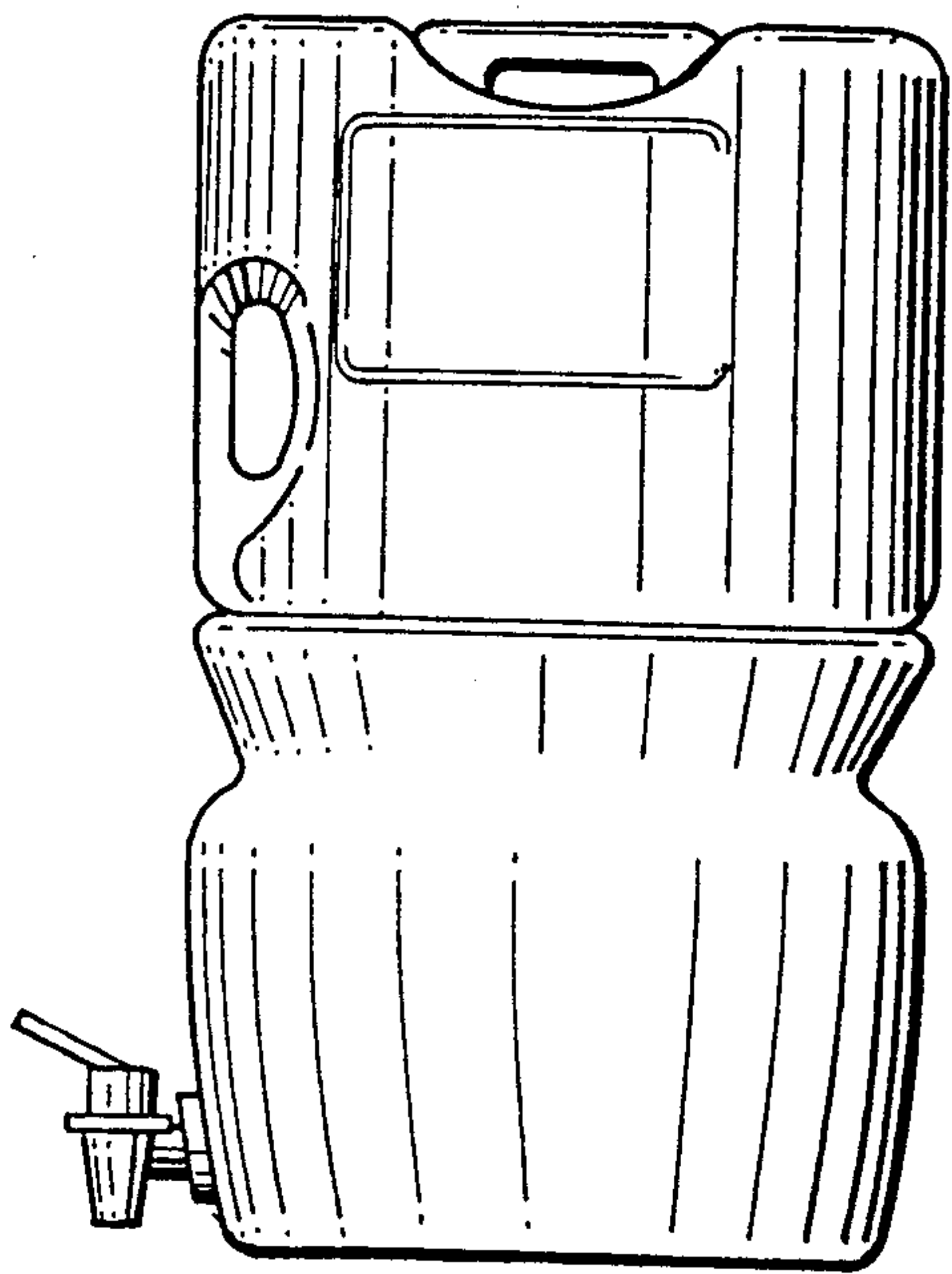


Fig. 7

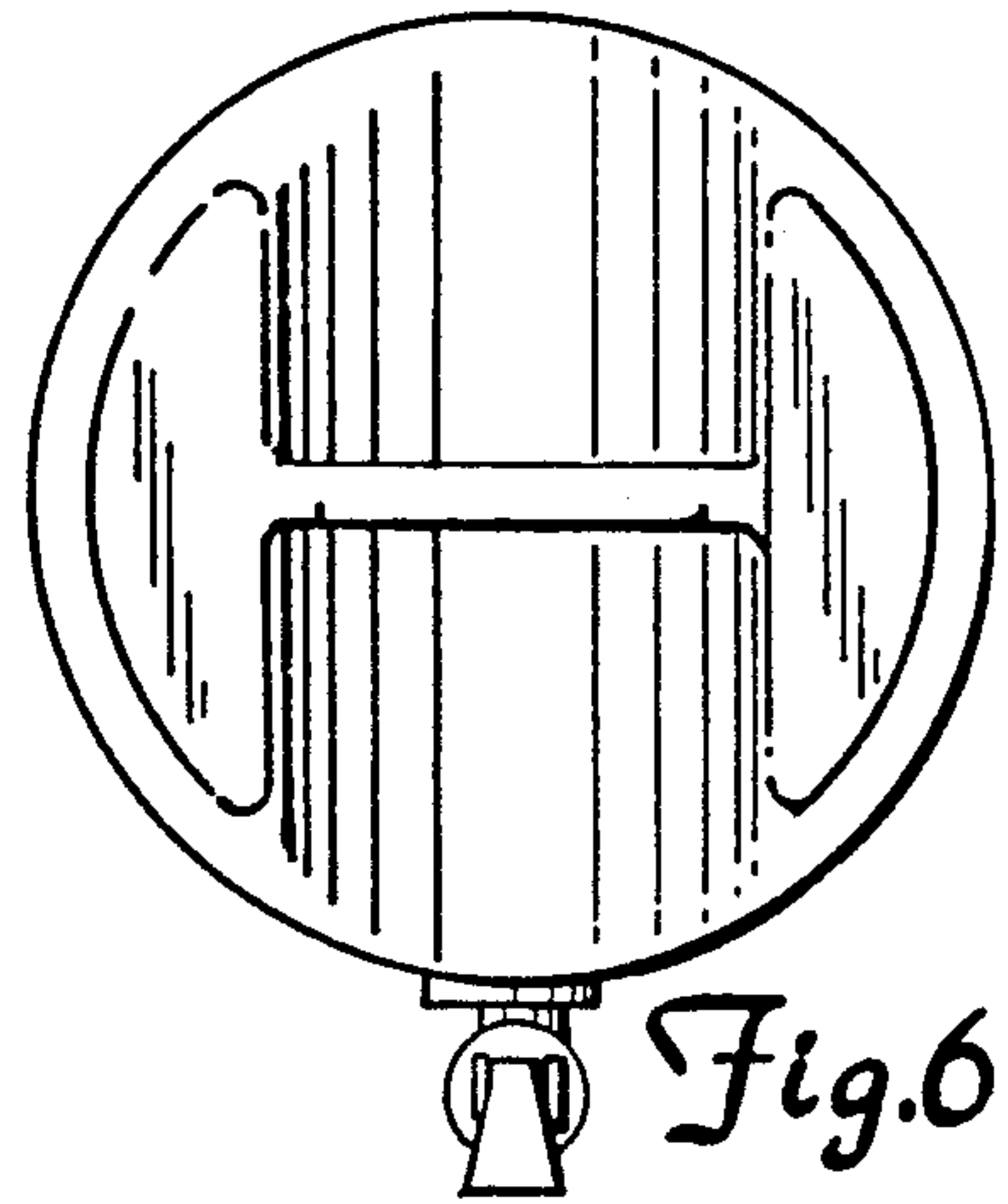


Fig. 6

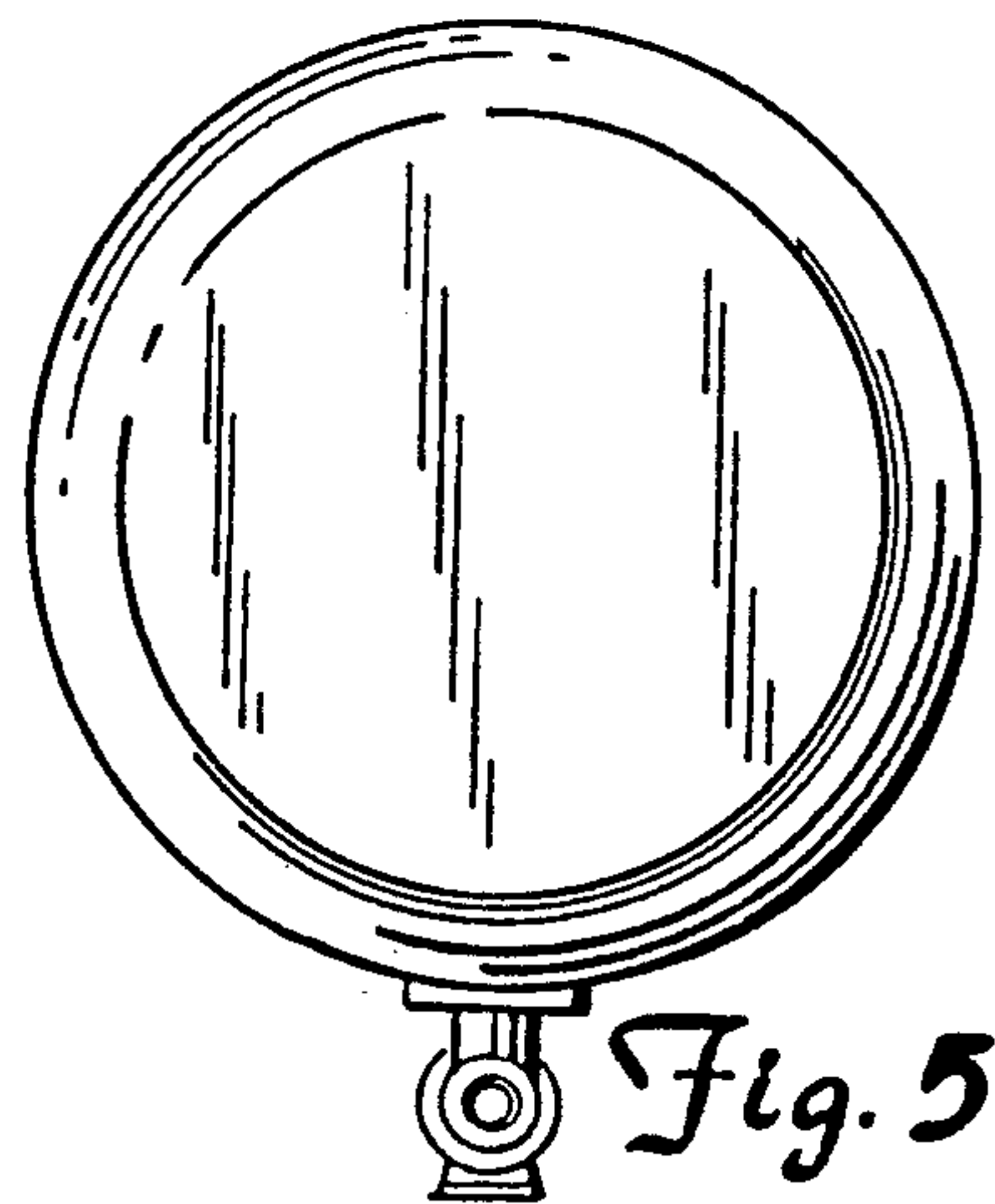


Fig. 5

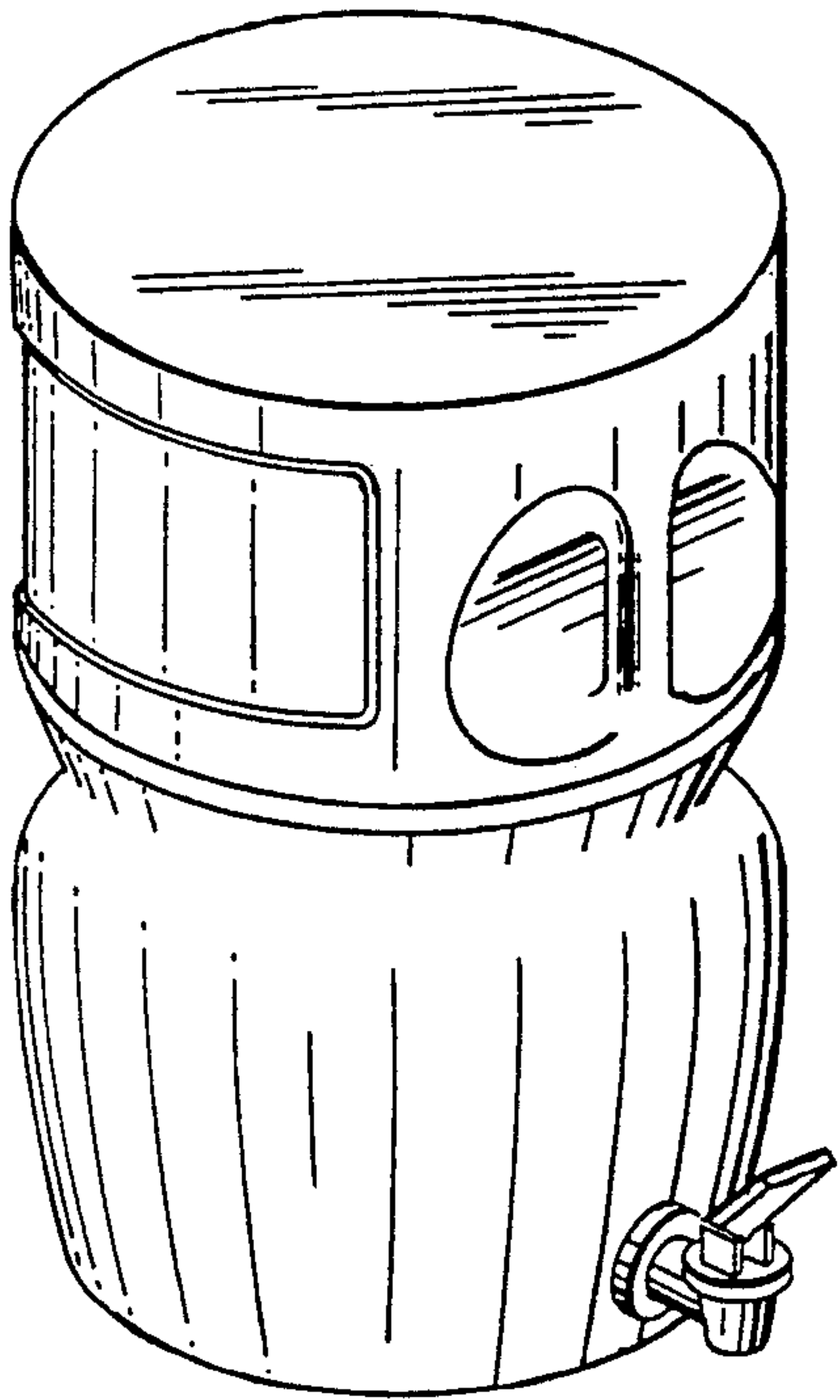


Fig. 8

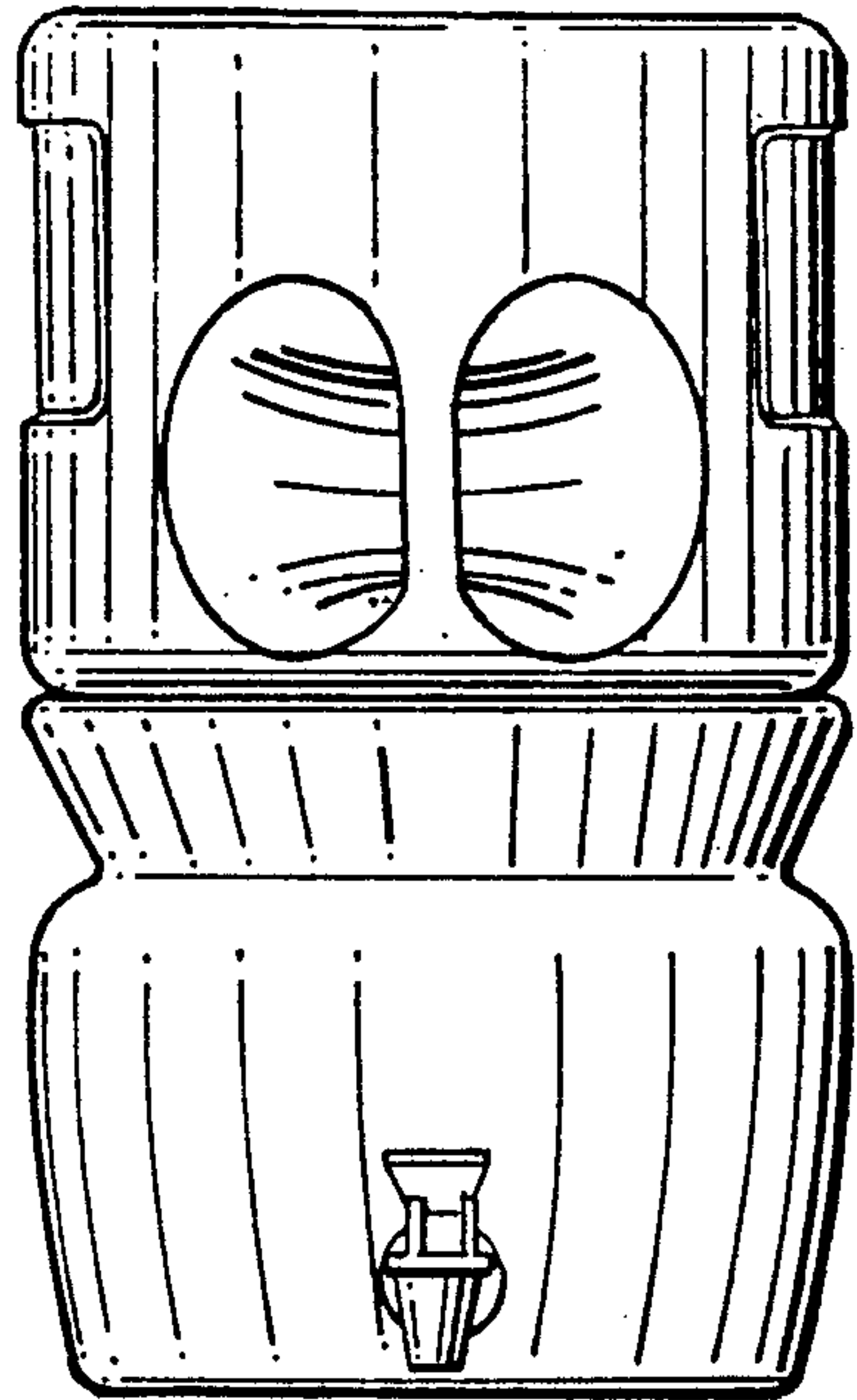


Fig. 9

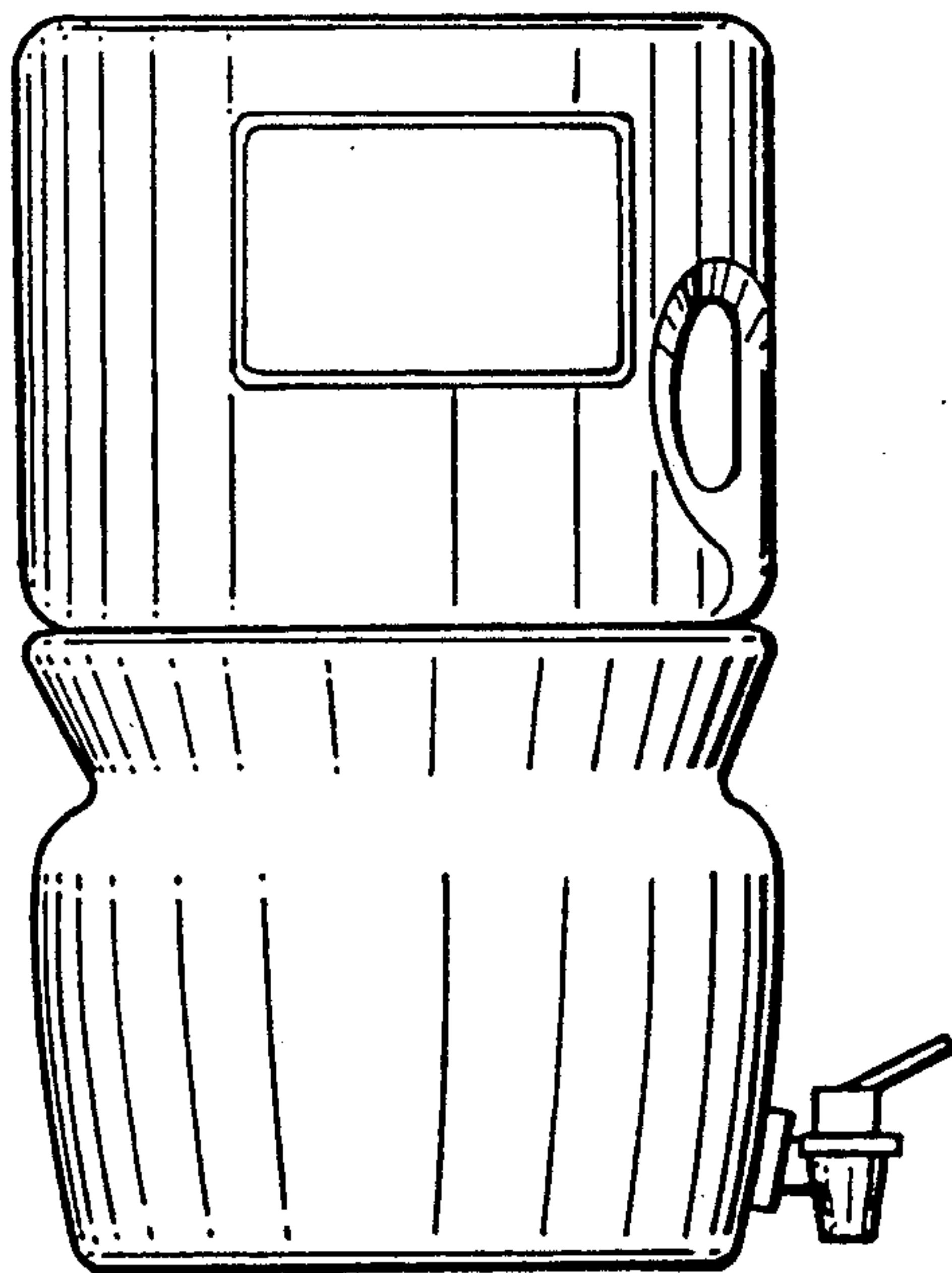


Fig. 10

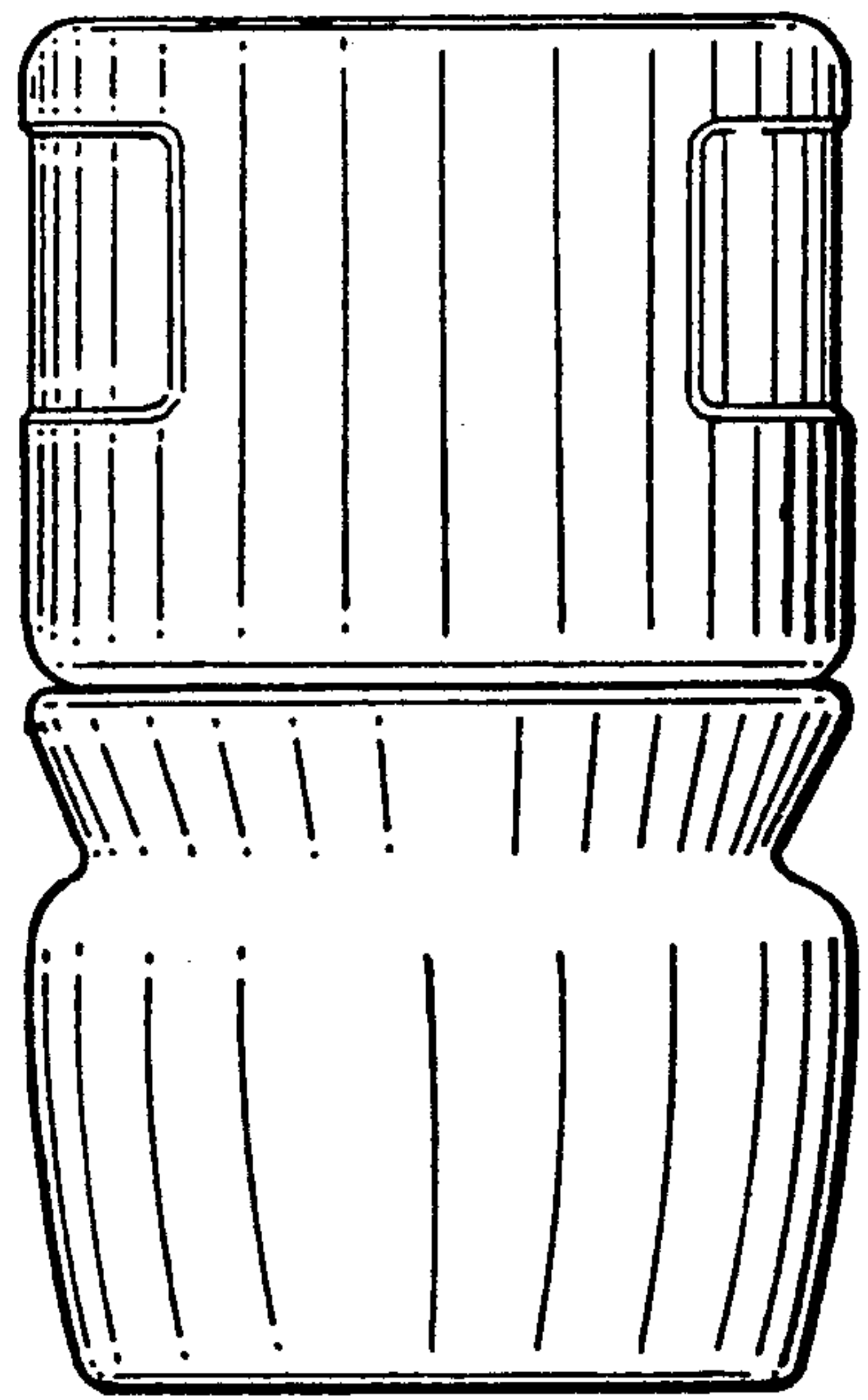


Fig. 11

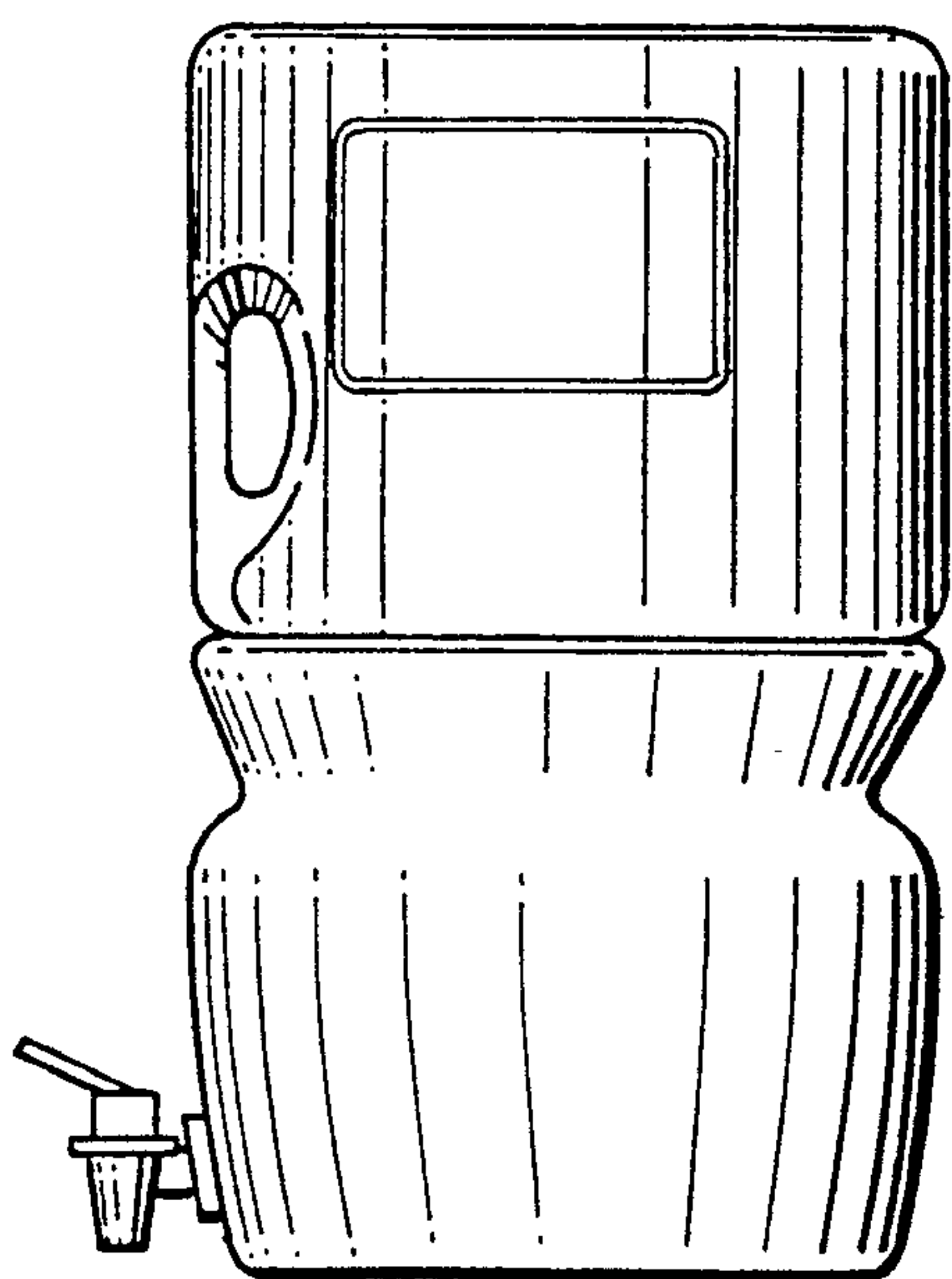


Fig. 12

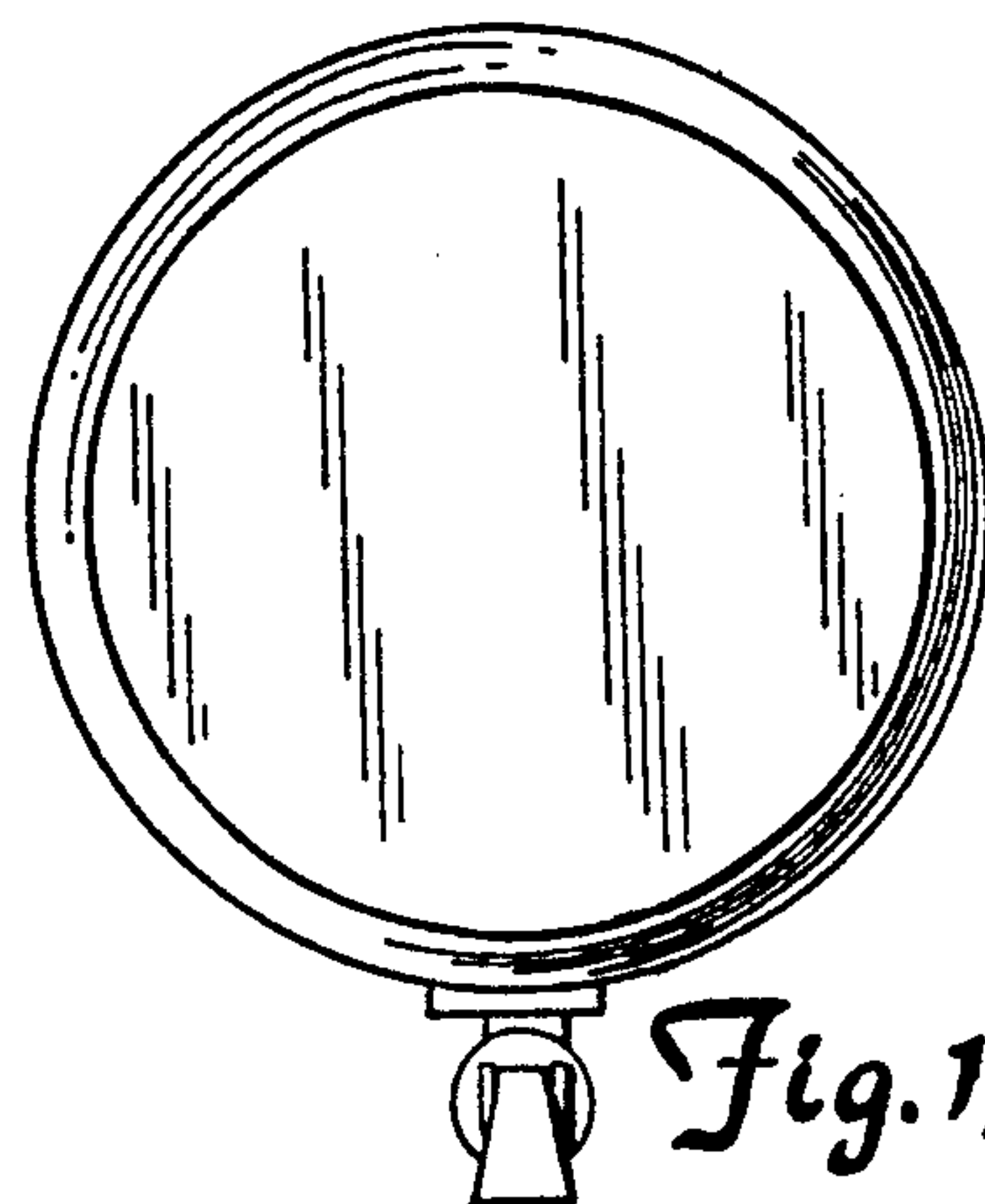


Fig. 13

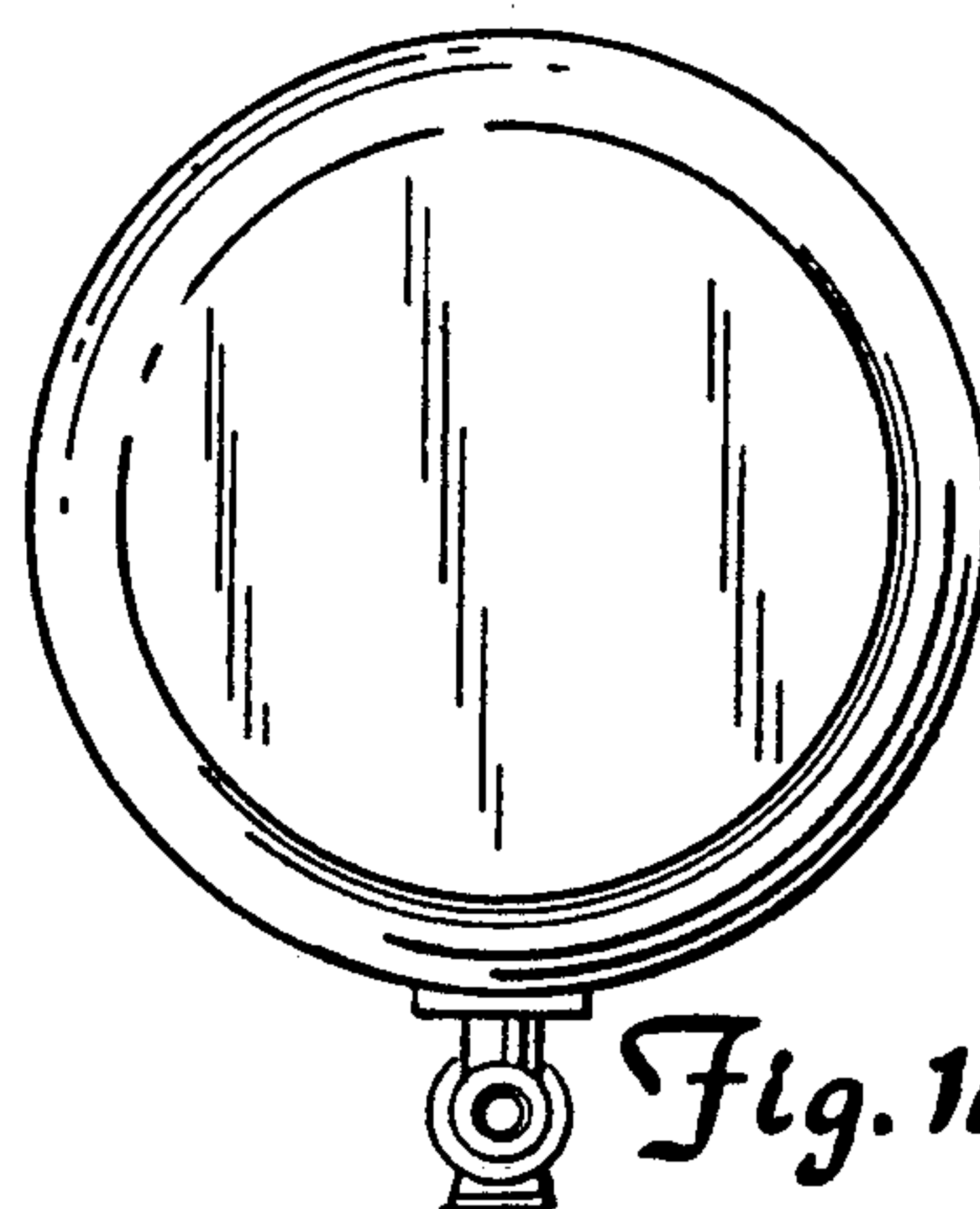


Fig. 14

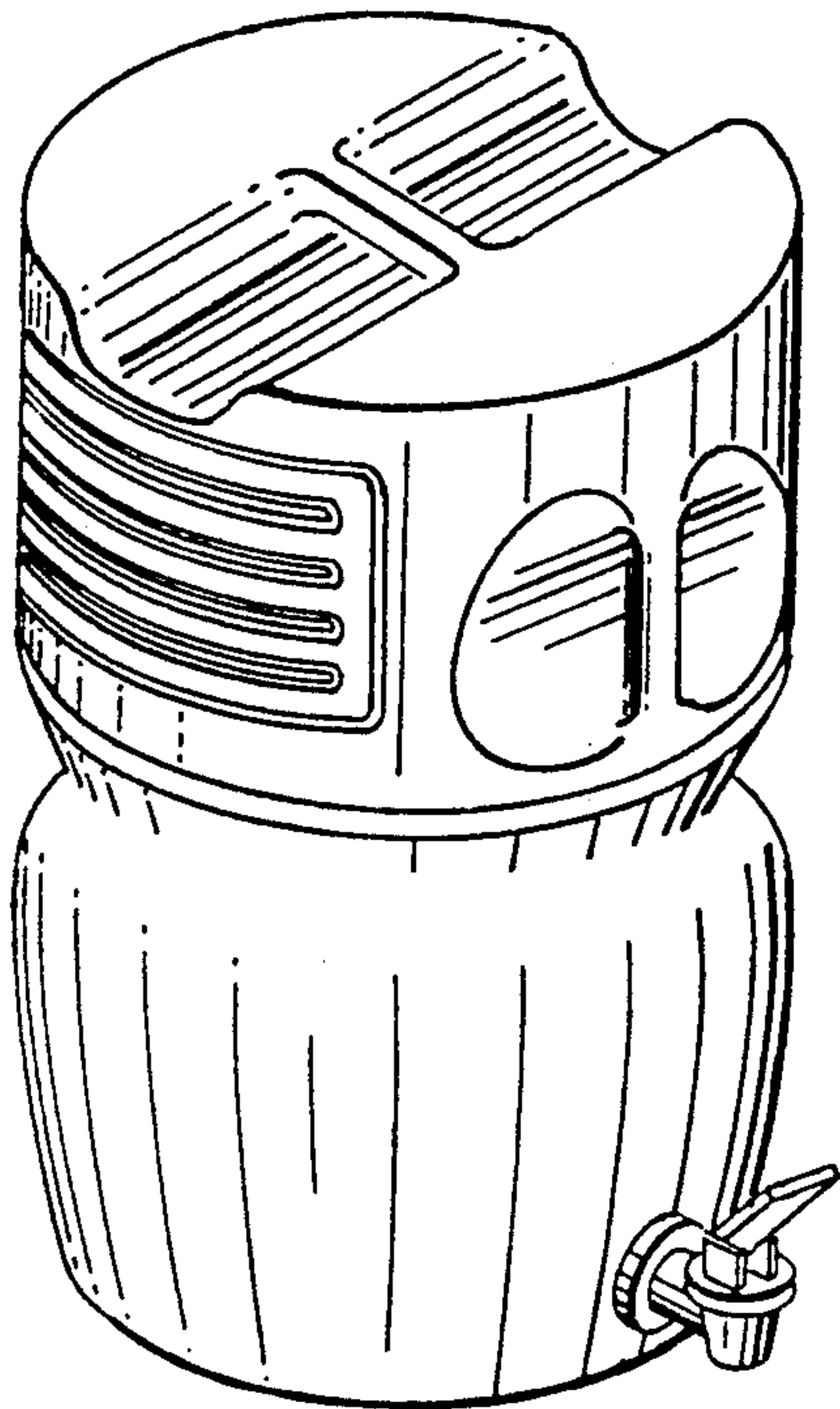


Fig. 15

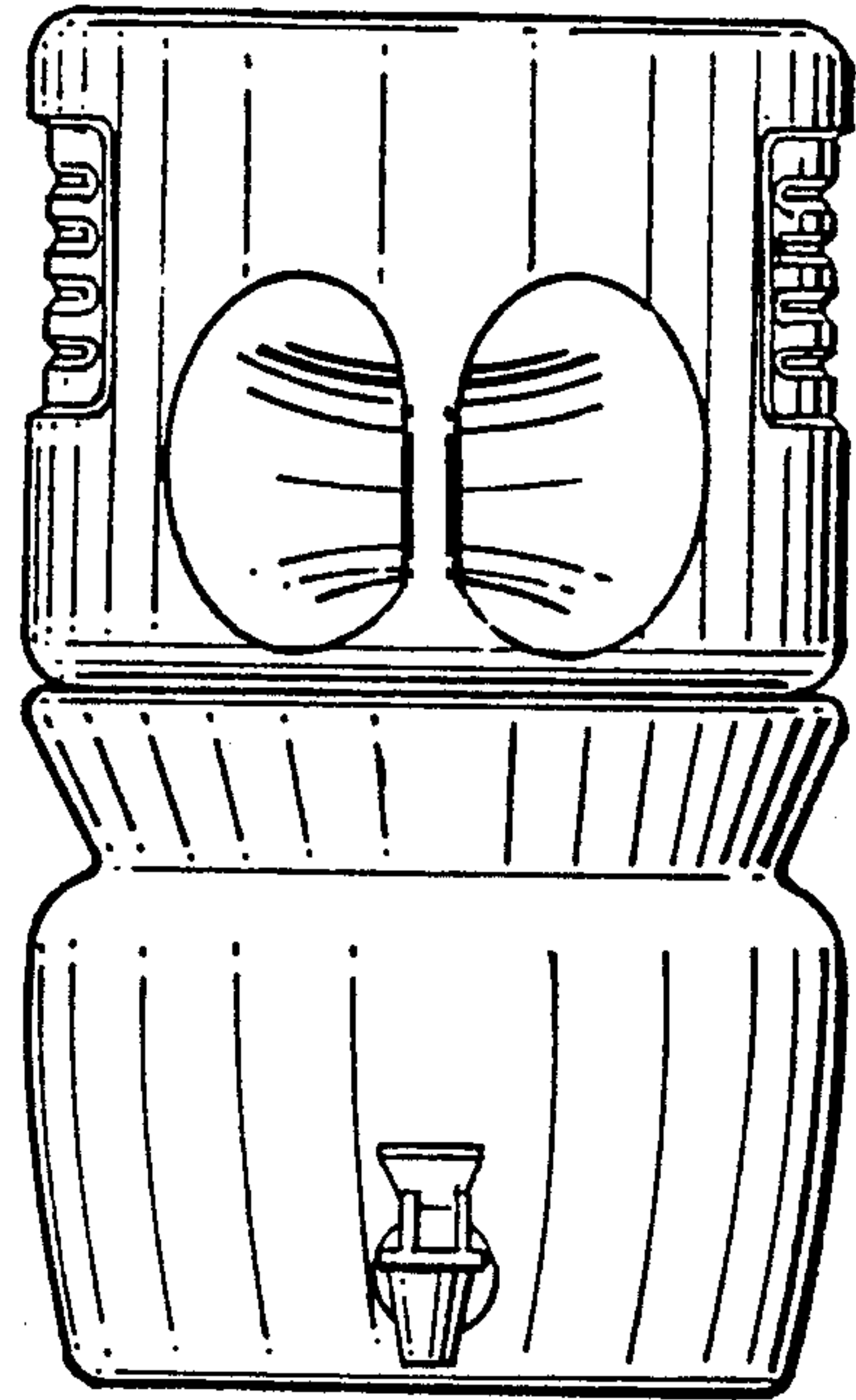


Fig. 16

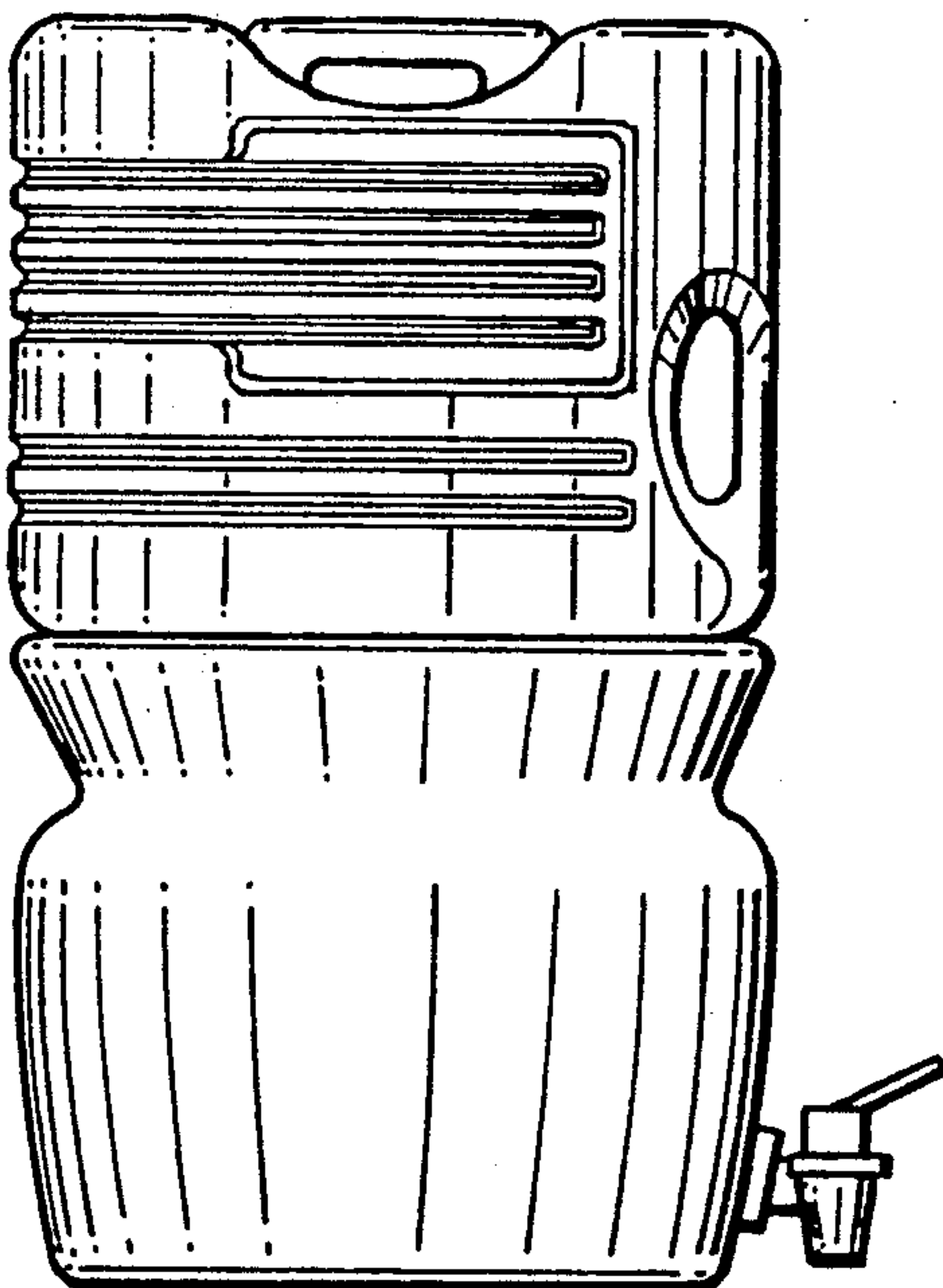


Fig. 17

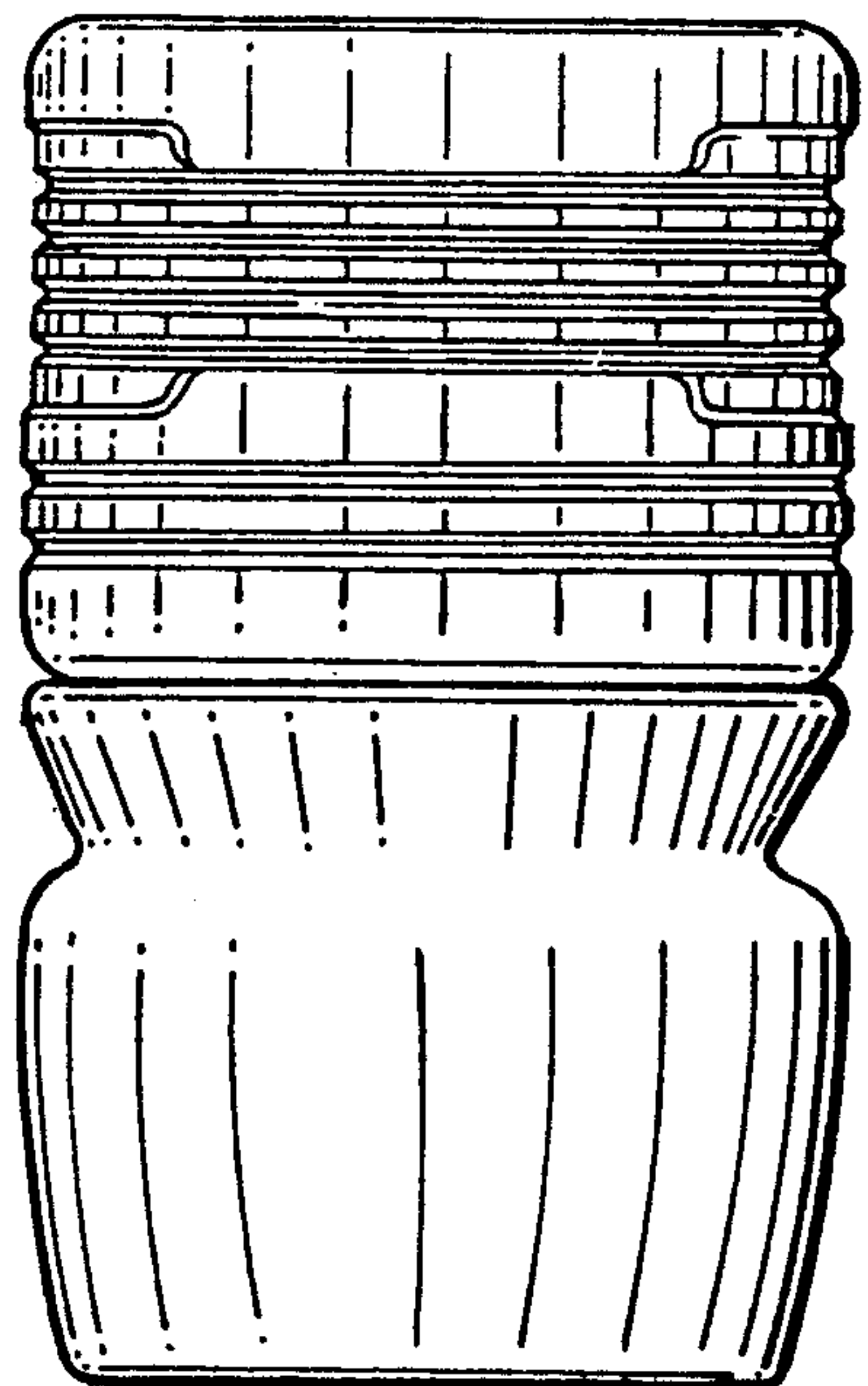


Fig. 18

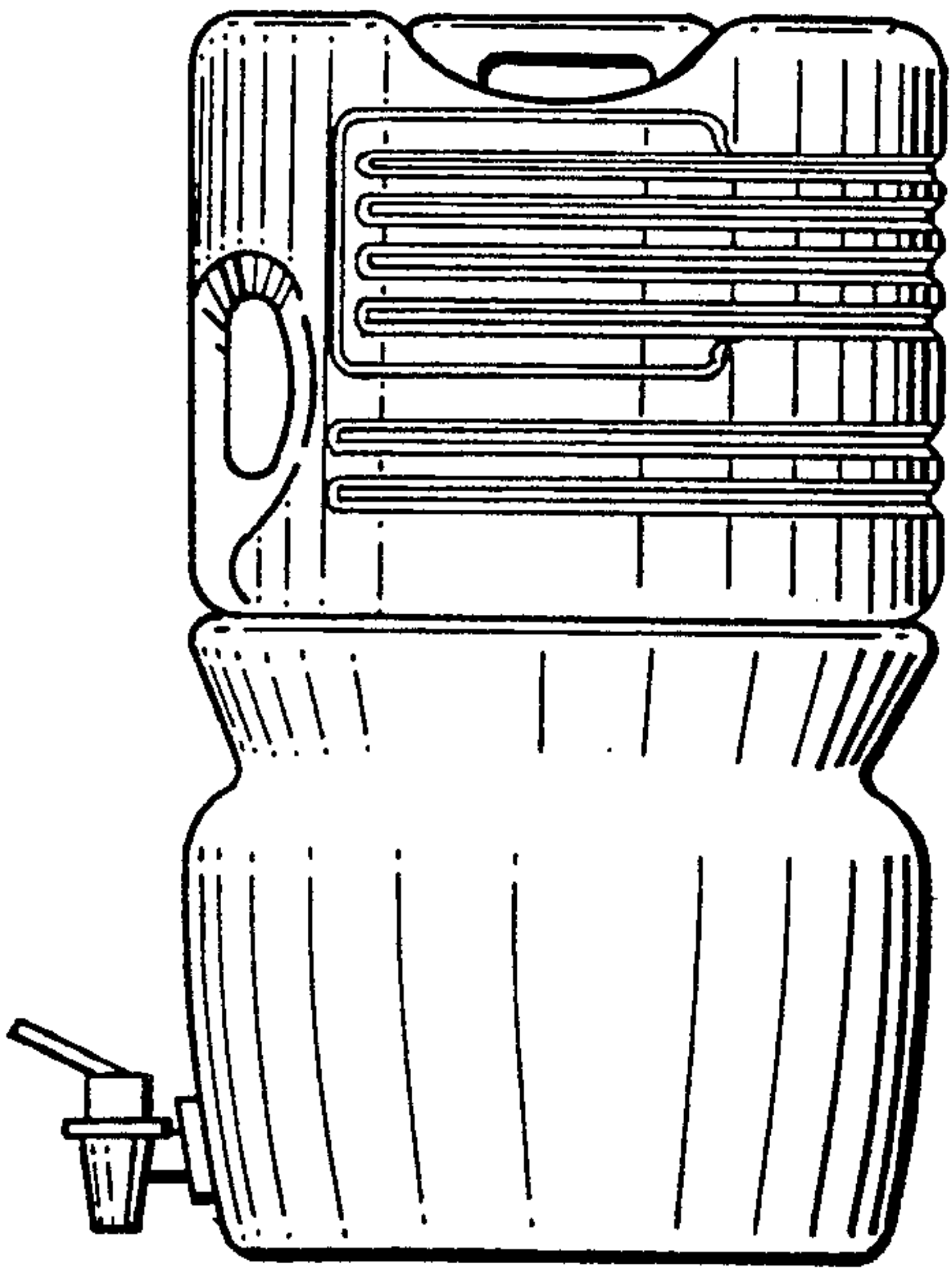


Fig. 19

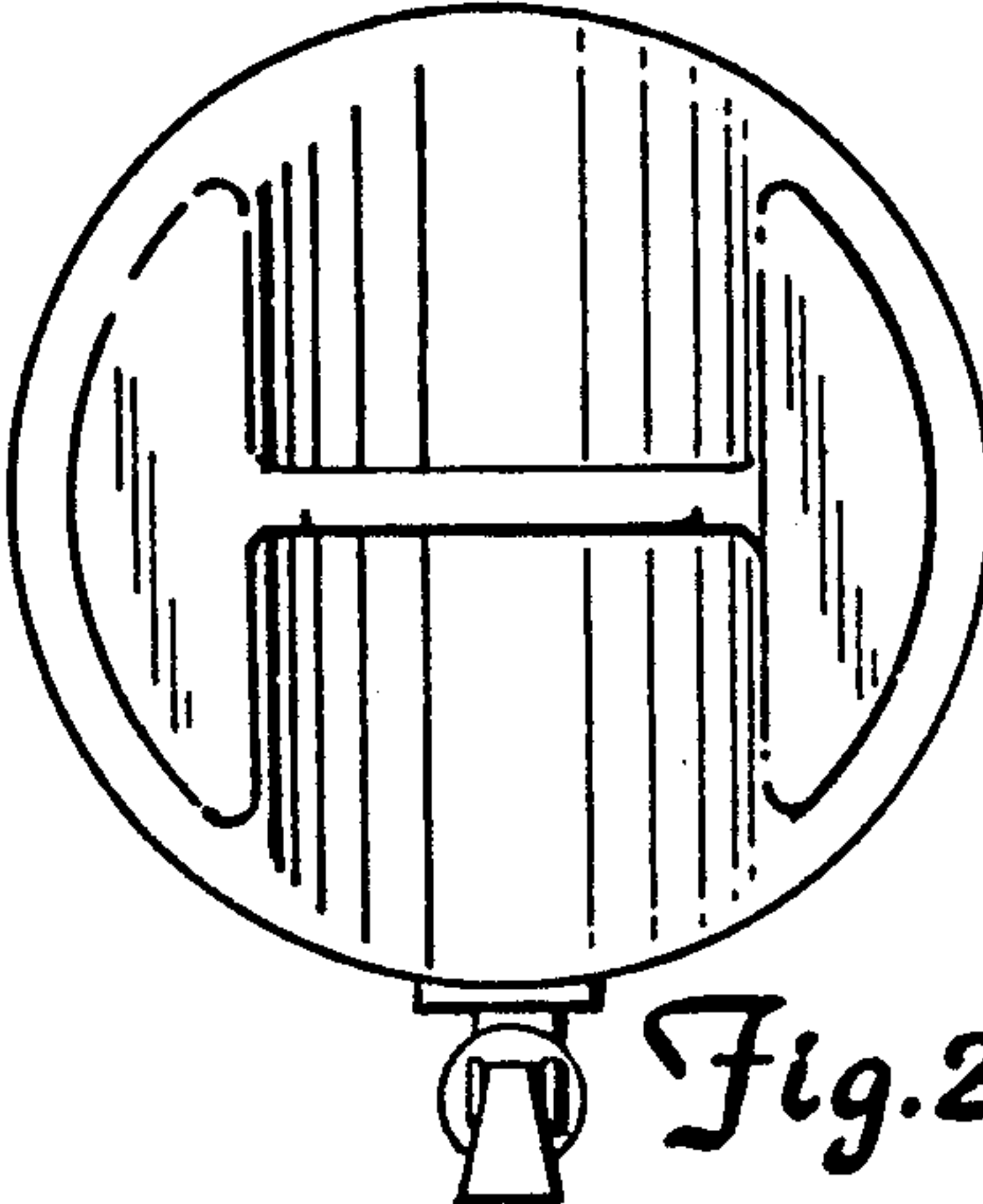


Fig. 20

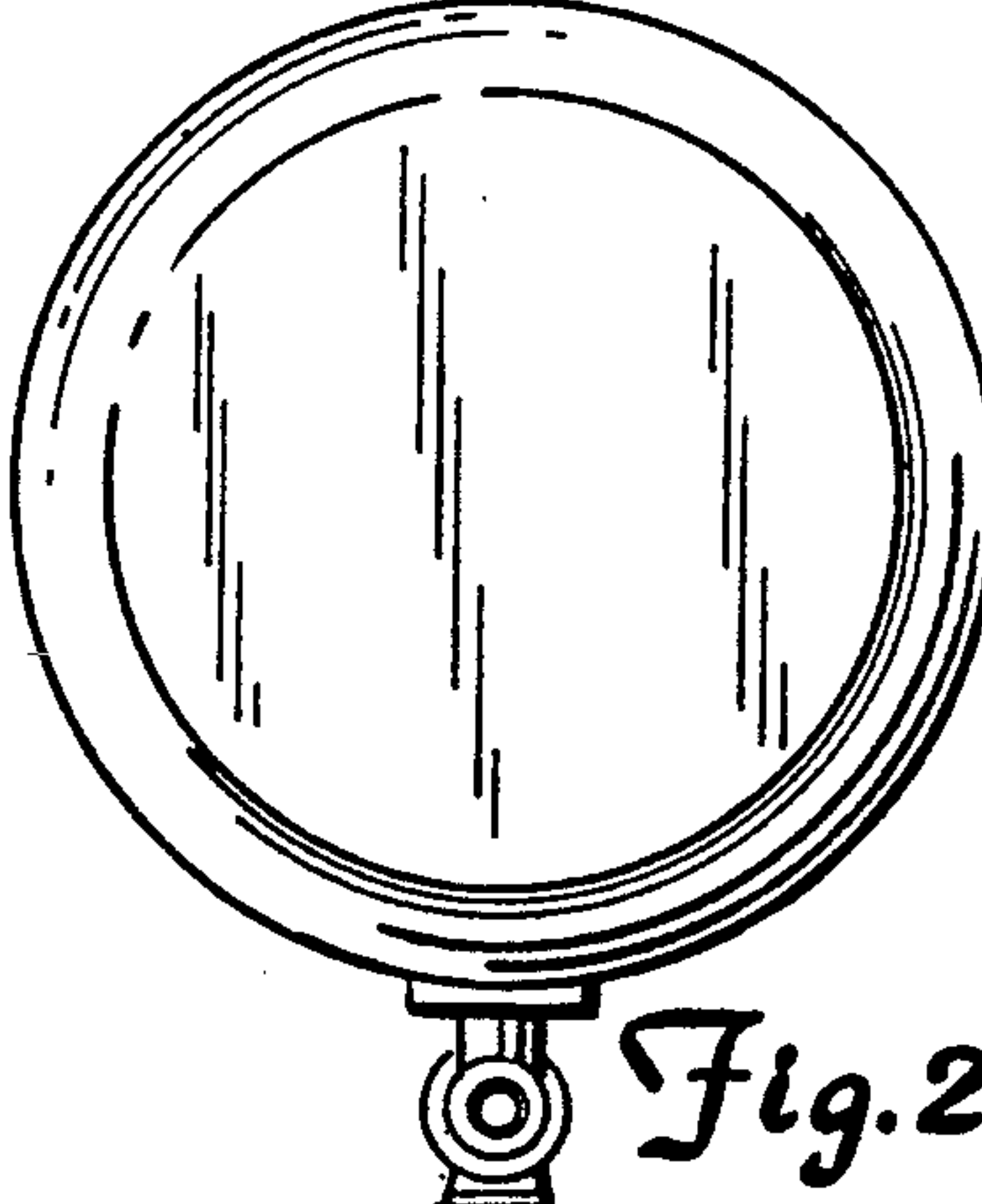


Fig. 21

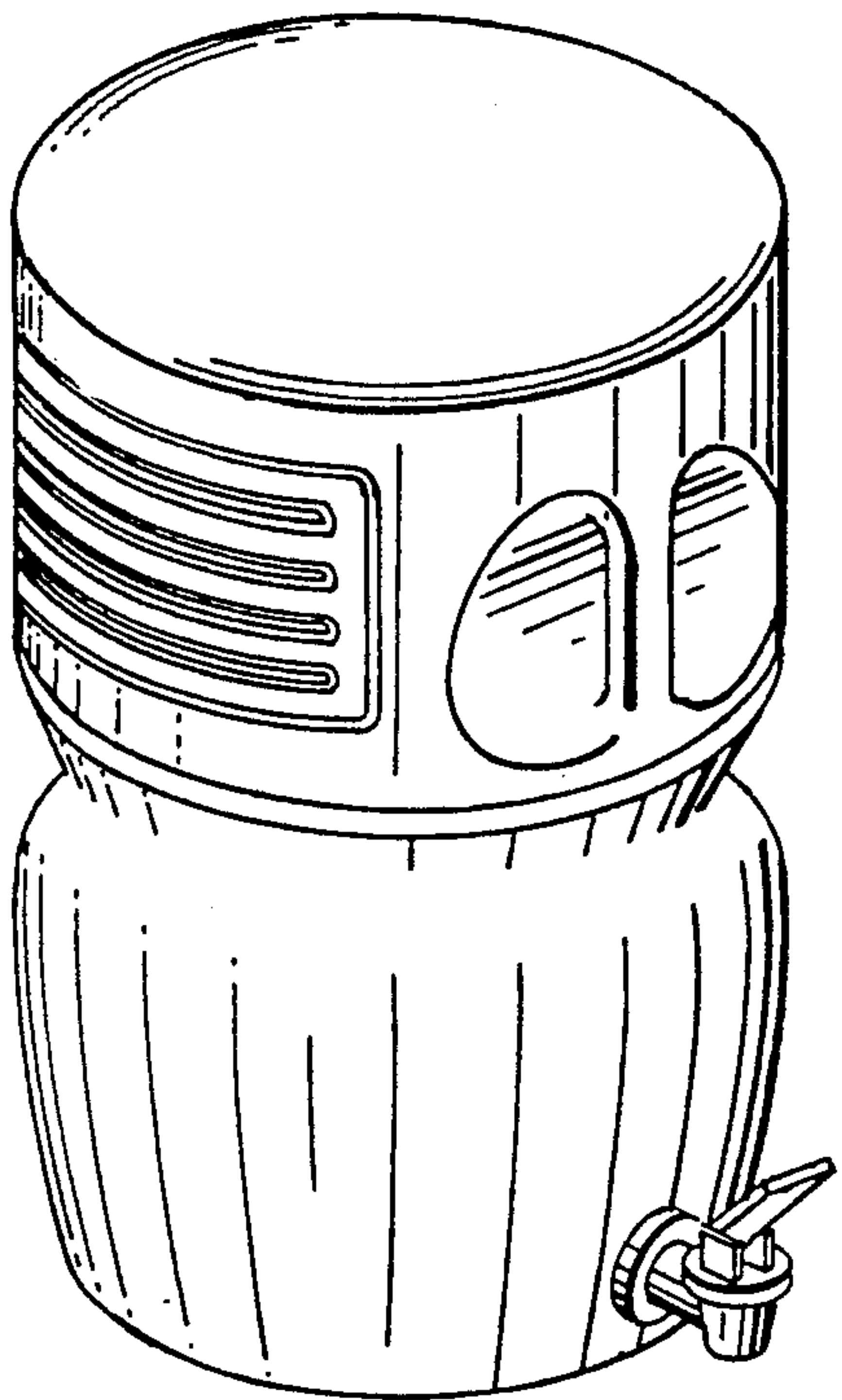


Fig. 22

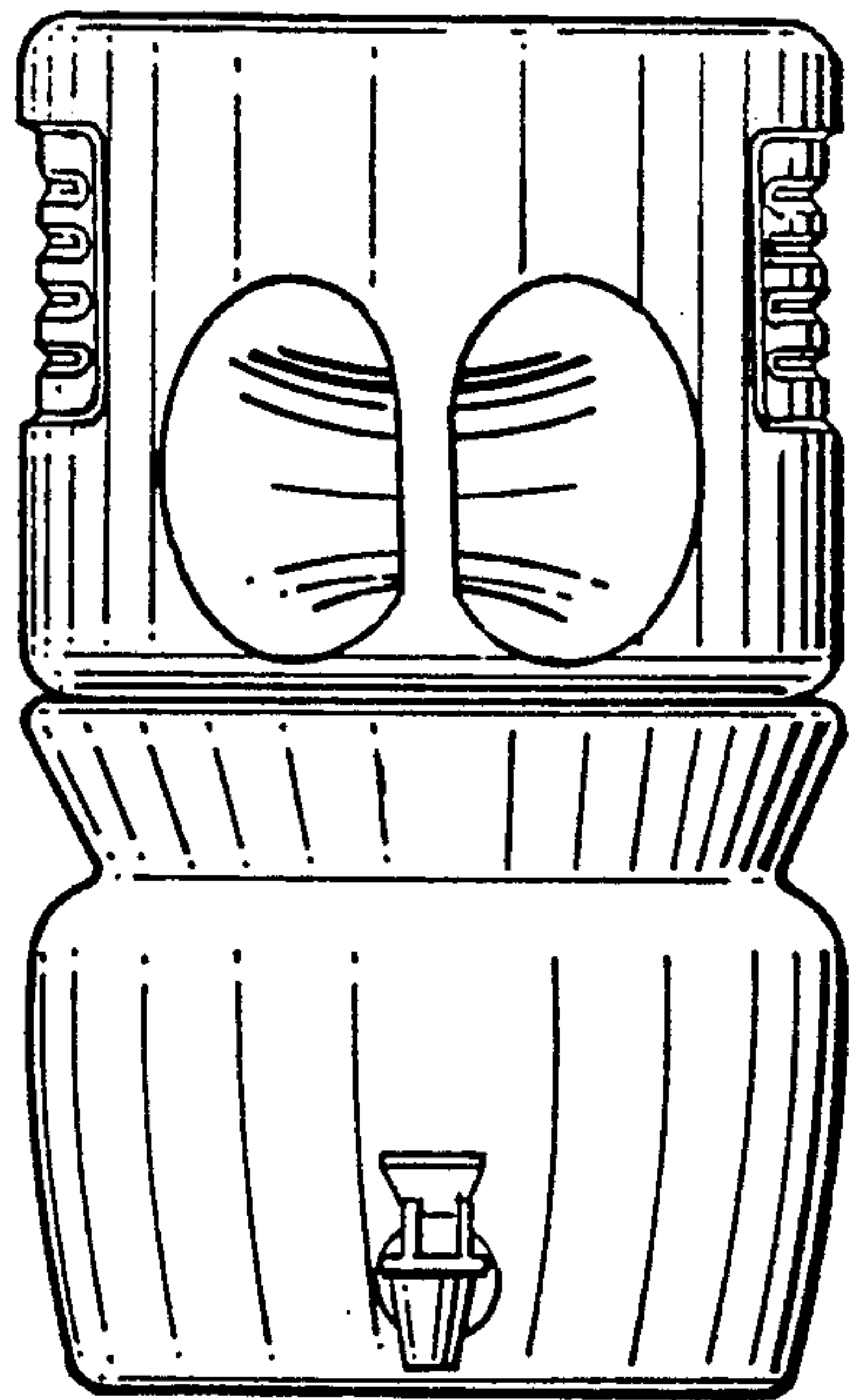


Fig. 23

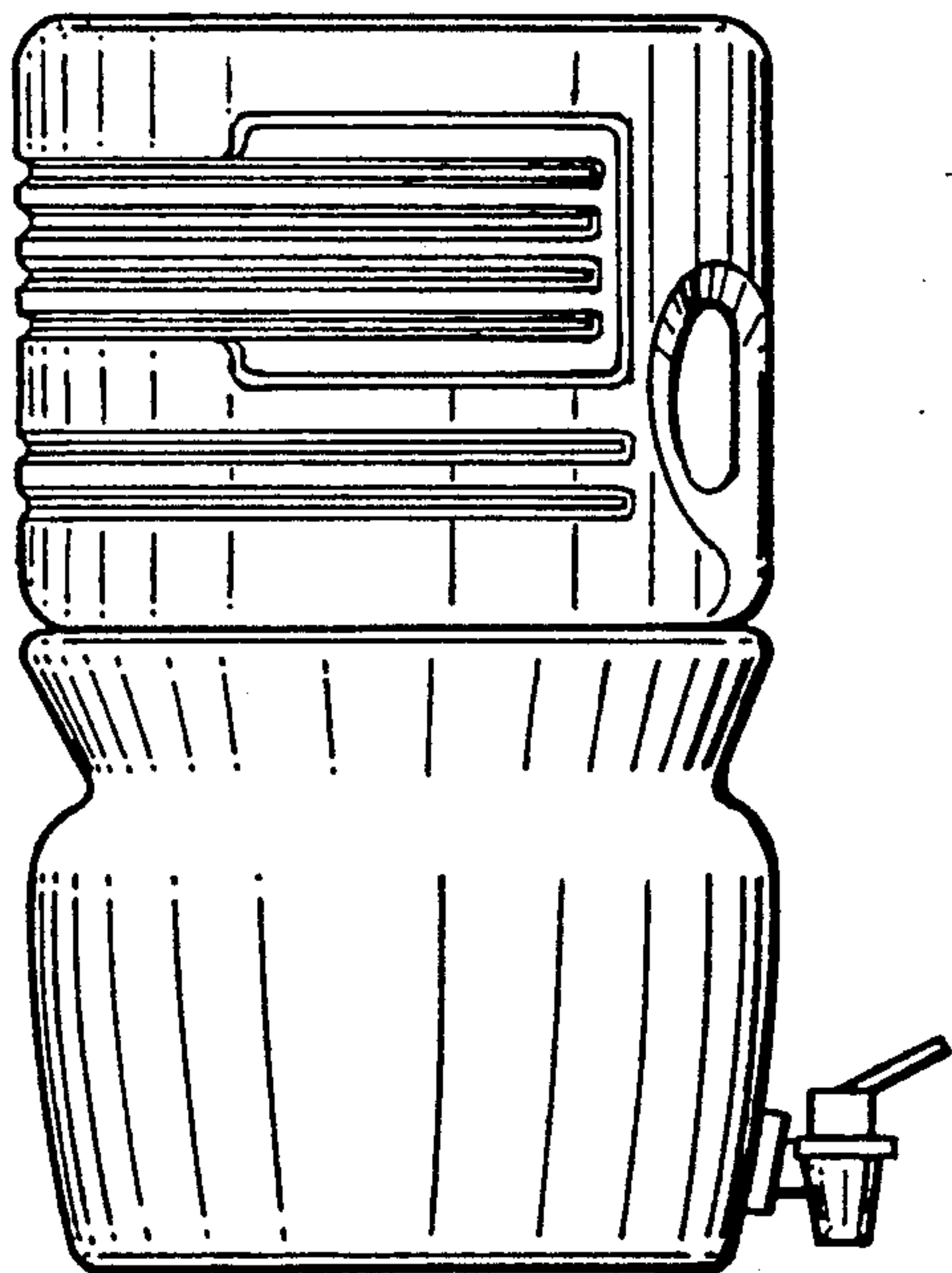


Fig. 24

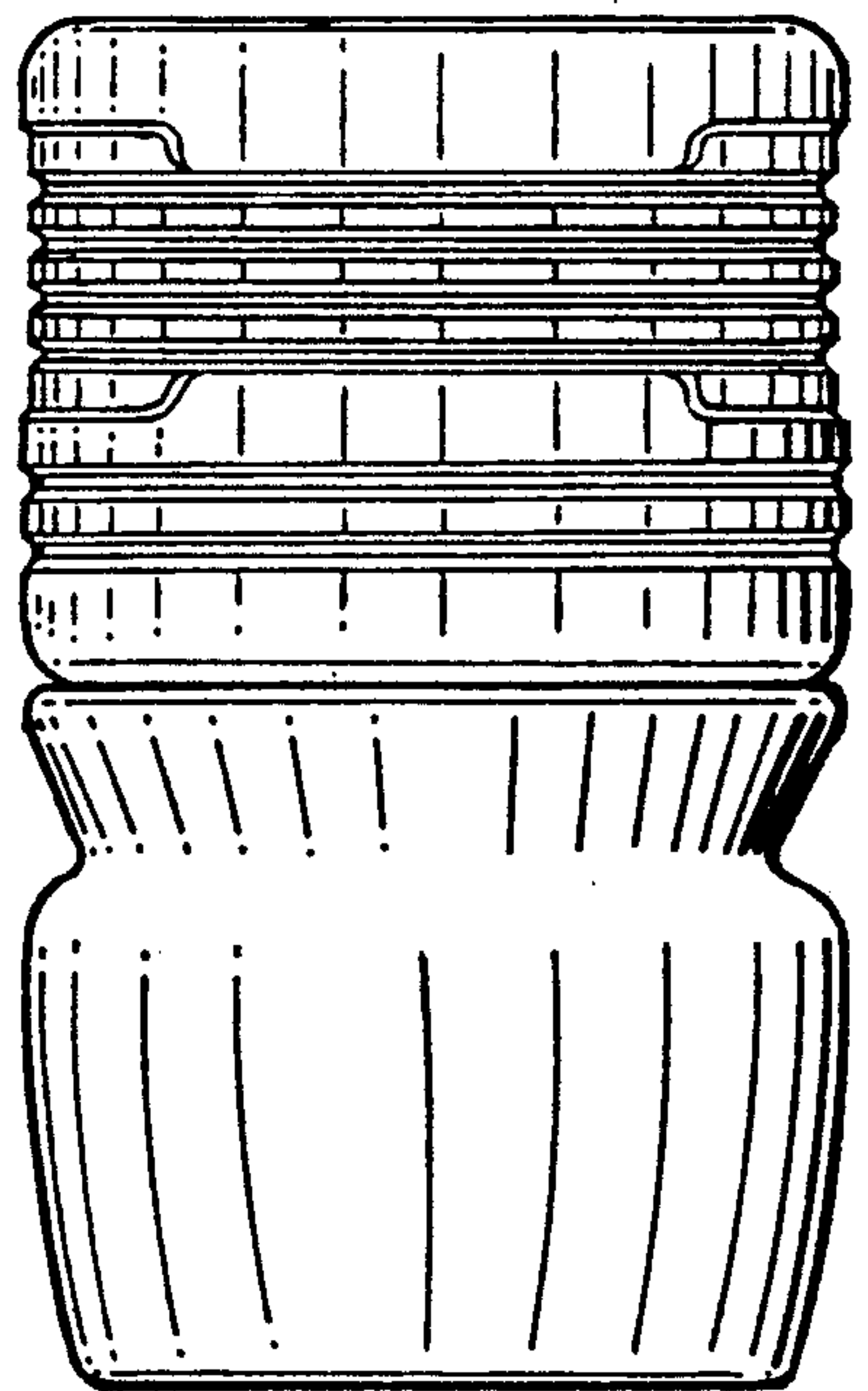


Fig. 25

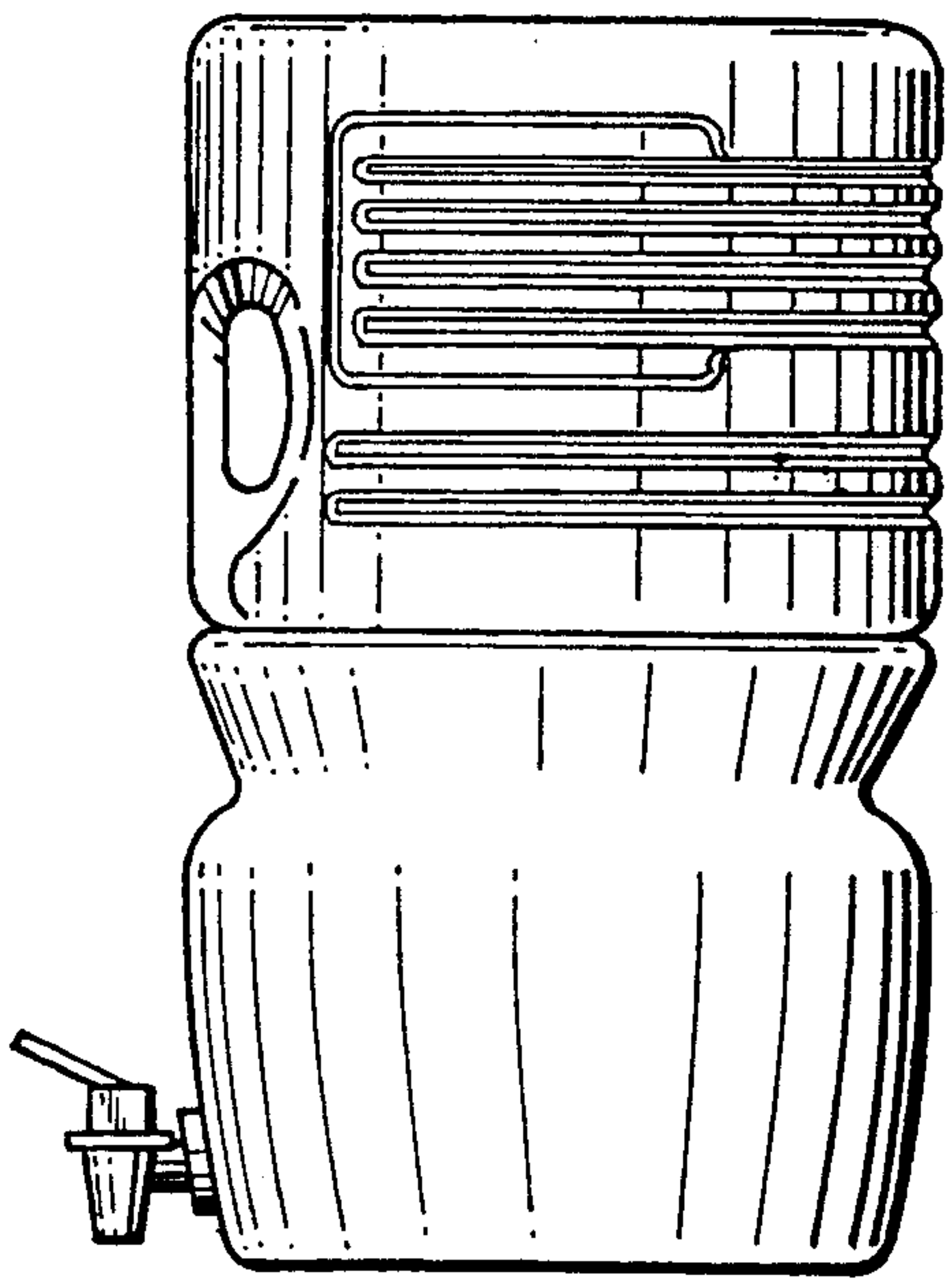


Fig. 26

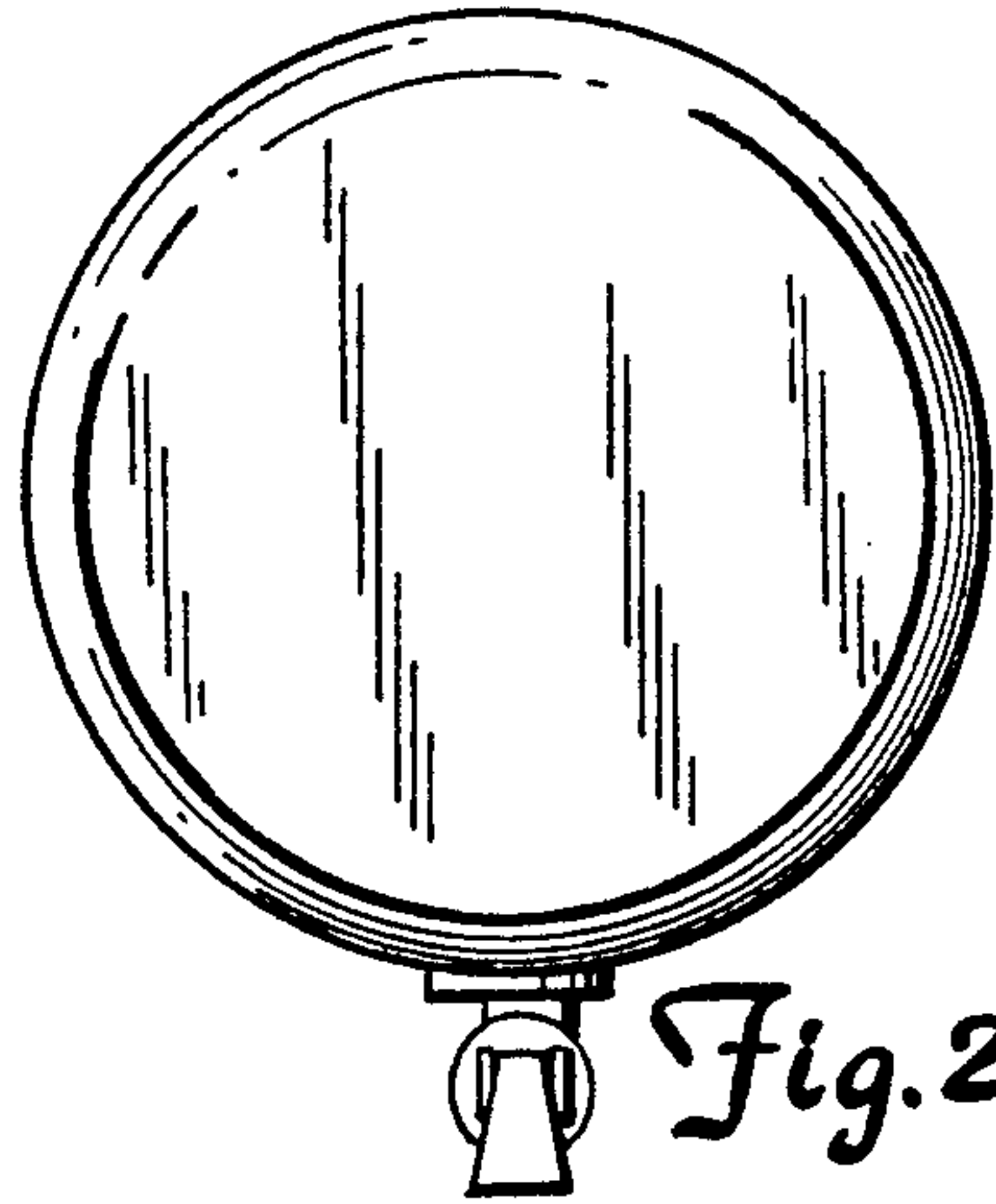


Fig. 27

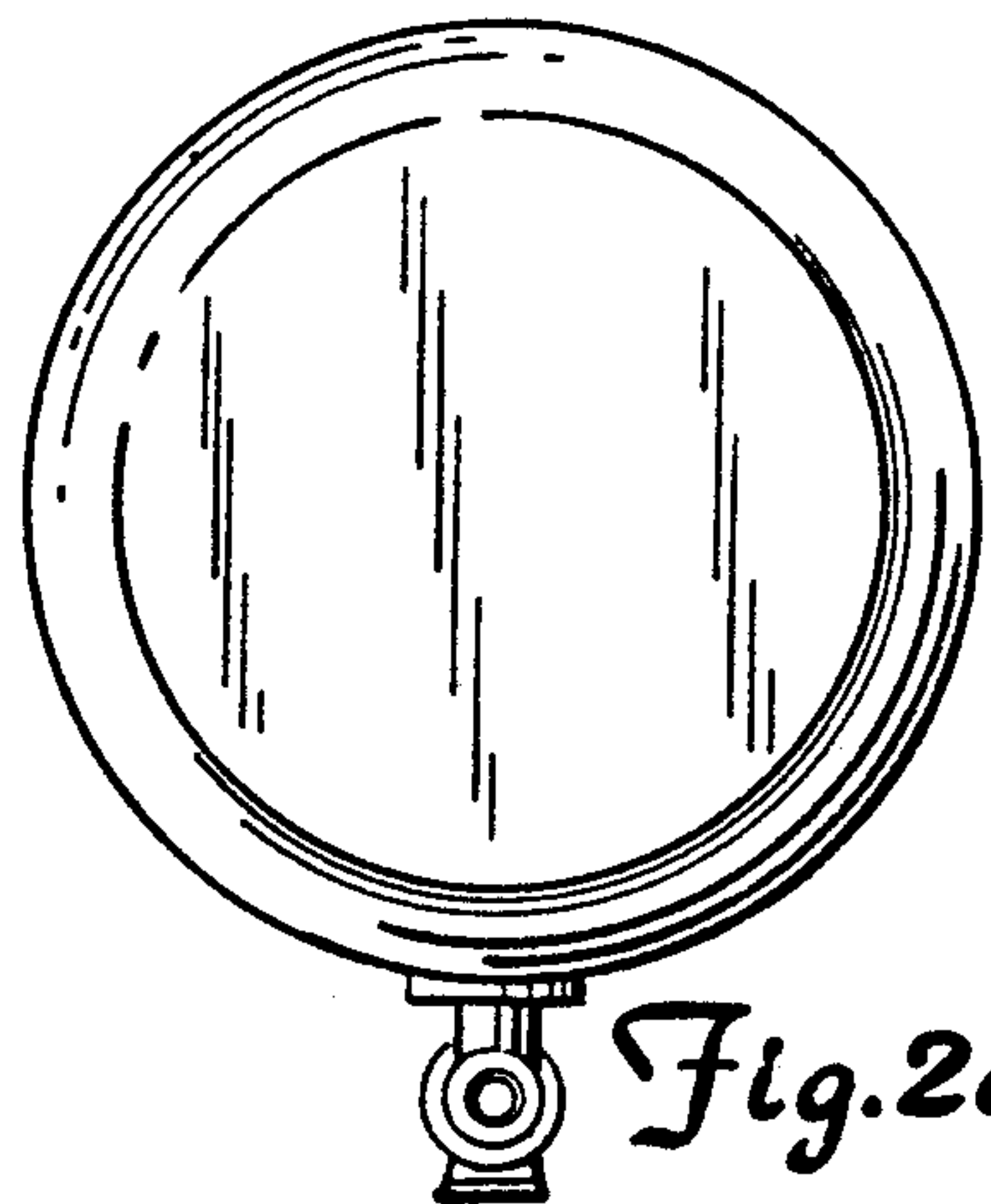


Fig. 28