



US00D326973S

United States Patent [19]

[11] Patent Number: **Des. 326,973**

Froidevaux

[45] Date of Patent: **** Jun. 16, 1992**

[54] **TOILET PAPER DISPENSER**
[75] Inventor: **Jean-Marie Froidevaux, Carouge, Switzerland**

D. 275,246 8/1984 Lander D6/521
D. 299,602 1/1989 Nordlander D6/518
D. 307,845 5/1990 Omdoll et al. D6/520
4,088,276 5/1978 Littleton 242/55.53
4,702,373 10/1987 Meade 206/389

[73] Assignee: **Mediana S.A., Switzerland**

[**] Term: **14 Years**

Primary Examiner—Brian N. Vinson
Attorney, Agent, or Firm—Davis, Bujold & Streck

[21] Appl. No.: **518,199**

[57] **CLAIM**

[22] Filed: **May 3, 1990**

The ornamental design for toilet paper dispenser, as shown.

[30] **Foreign Application Priority Data**

Nov. 10, 1989 [IB] Int'l Pat. Institute **DM/015022**

[52] U.S. Cl. **D6/523**

[58] Field of Search **D6/518, 521-523; 206/389; 242/55.2, 55.3, 55.42, 55.53, 56 R; 312/37; 221/30, 33, 45**

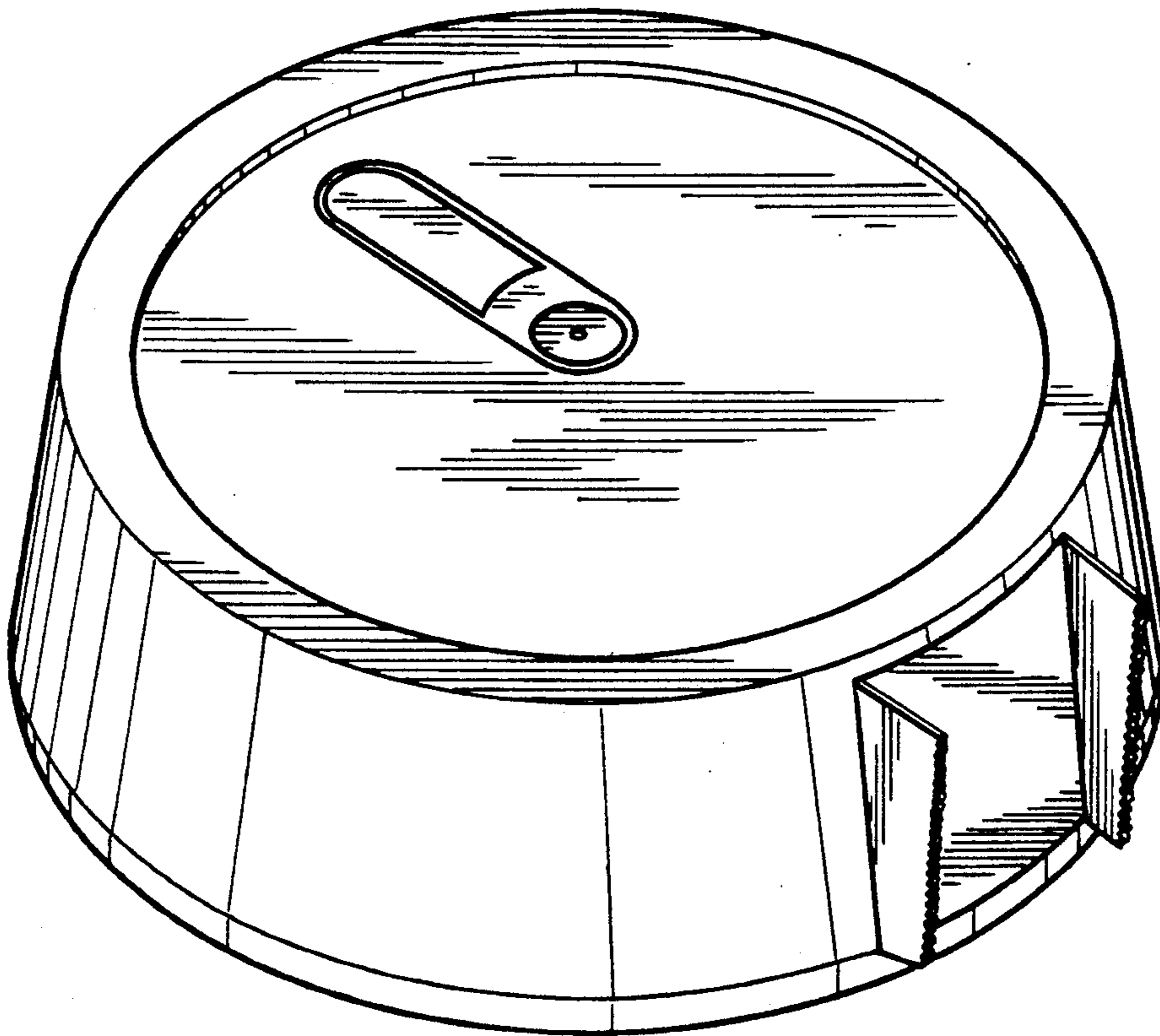
DESCRIPTION

FIG. 1 is a top, front, and right side perspective view of a toilet paper dispenser showing my new design; FIG. 2 is a left side elevational view thereof; FIG. 3 is a top plan view thereof; FIG. 4 is an inverted right side elevational view thereof; FIG. 5 is an inverted front elevational view thereof; FIG. 6 is a bottom plan view thereof; and, FIG. 7 is a rear elevational view thereof.

[56] **References Cited**

U.S. PATENT DOCUMENTS

D. 194,756 3/1963 Norman D6/518



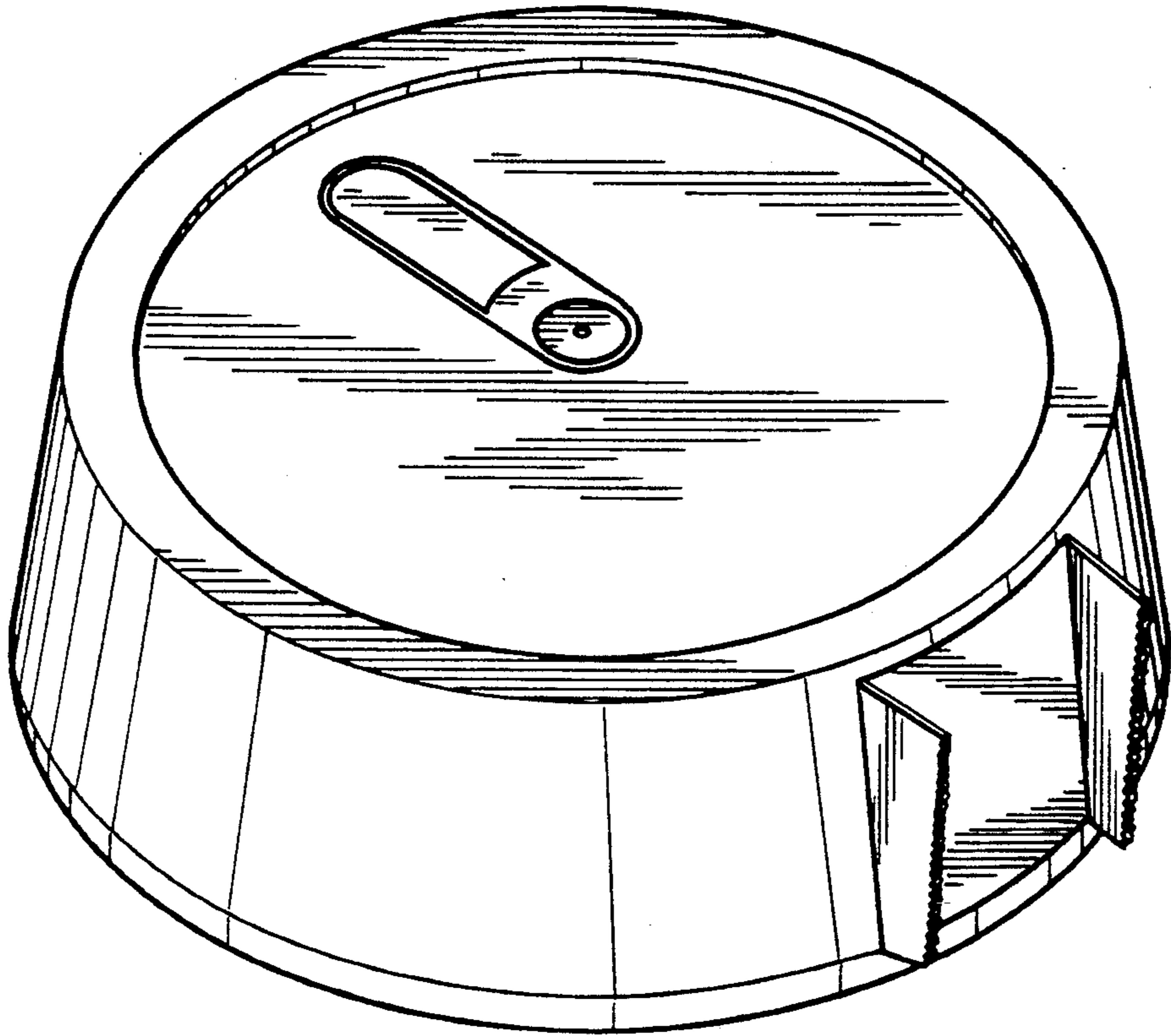


FIG. 1

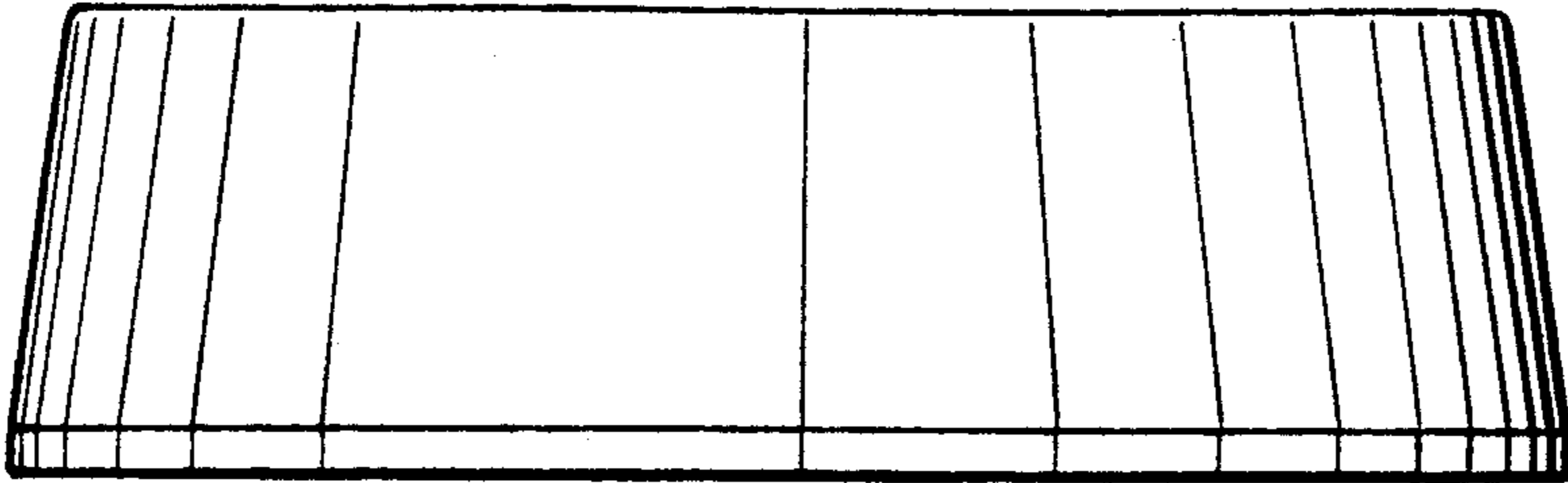


FIG. 2

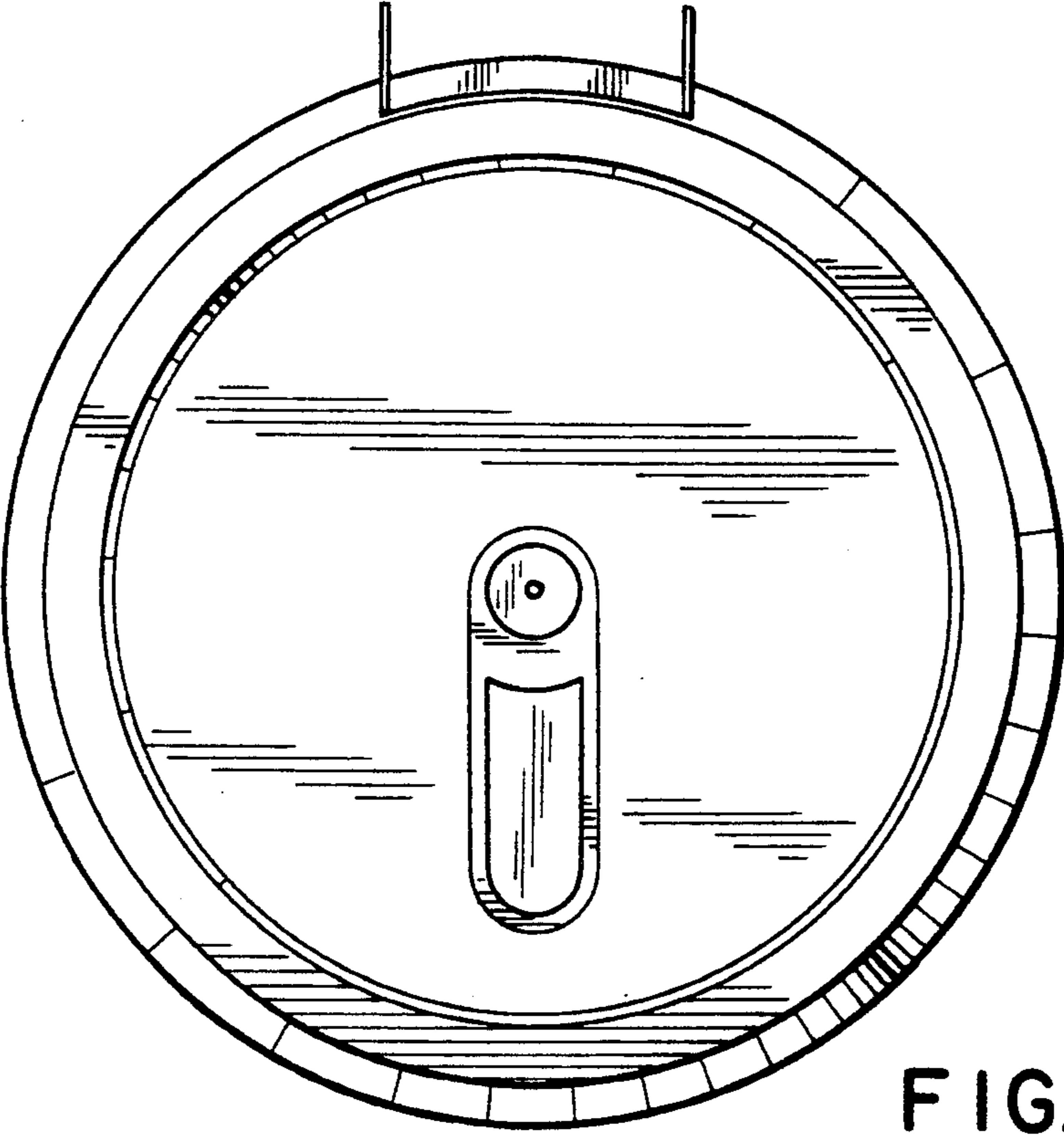


FIG. 3

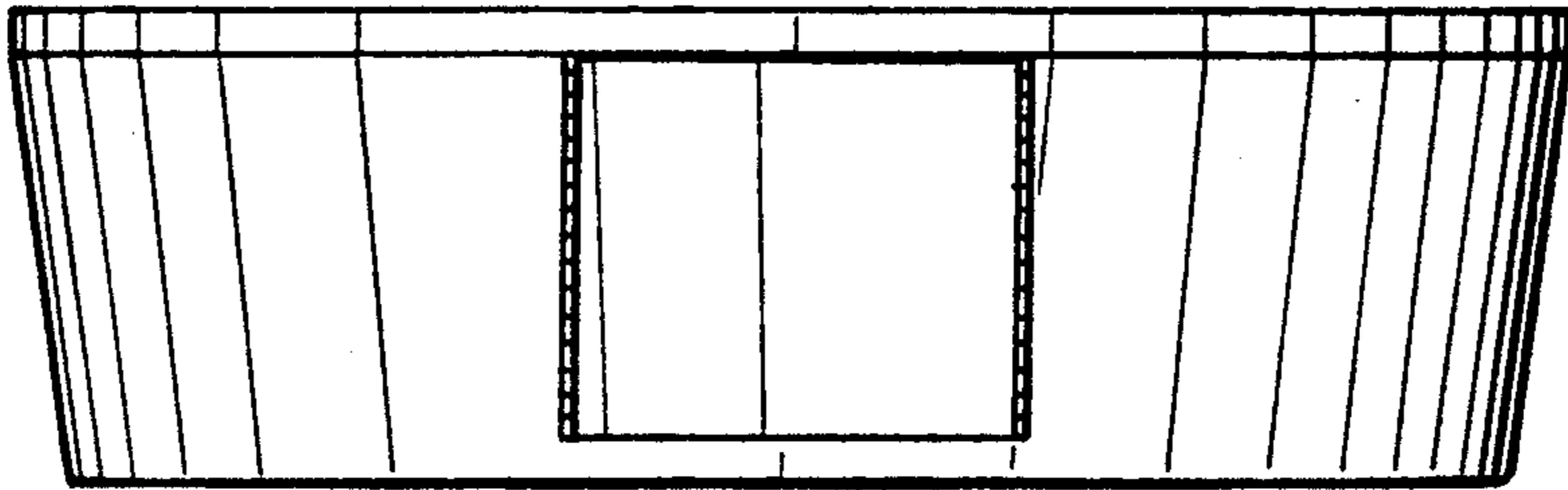


FIG. 4

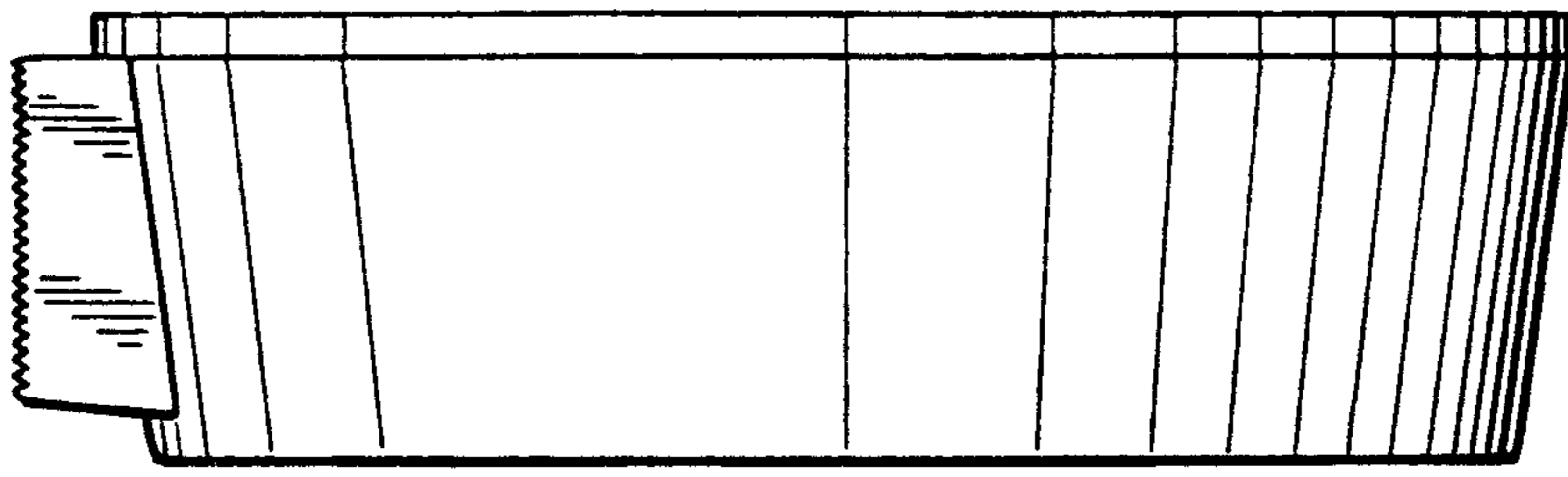


FIG. 5

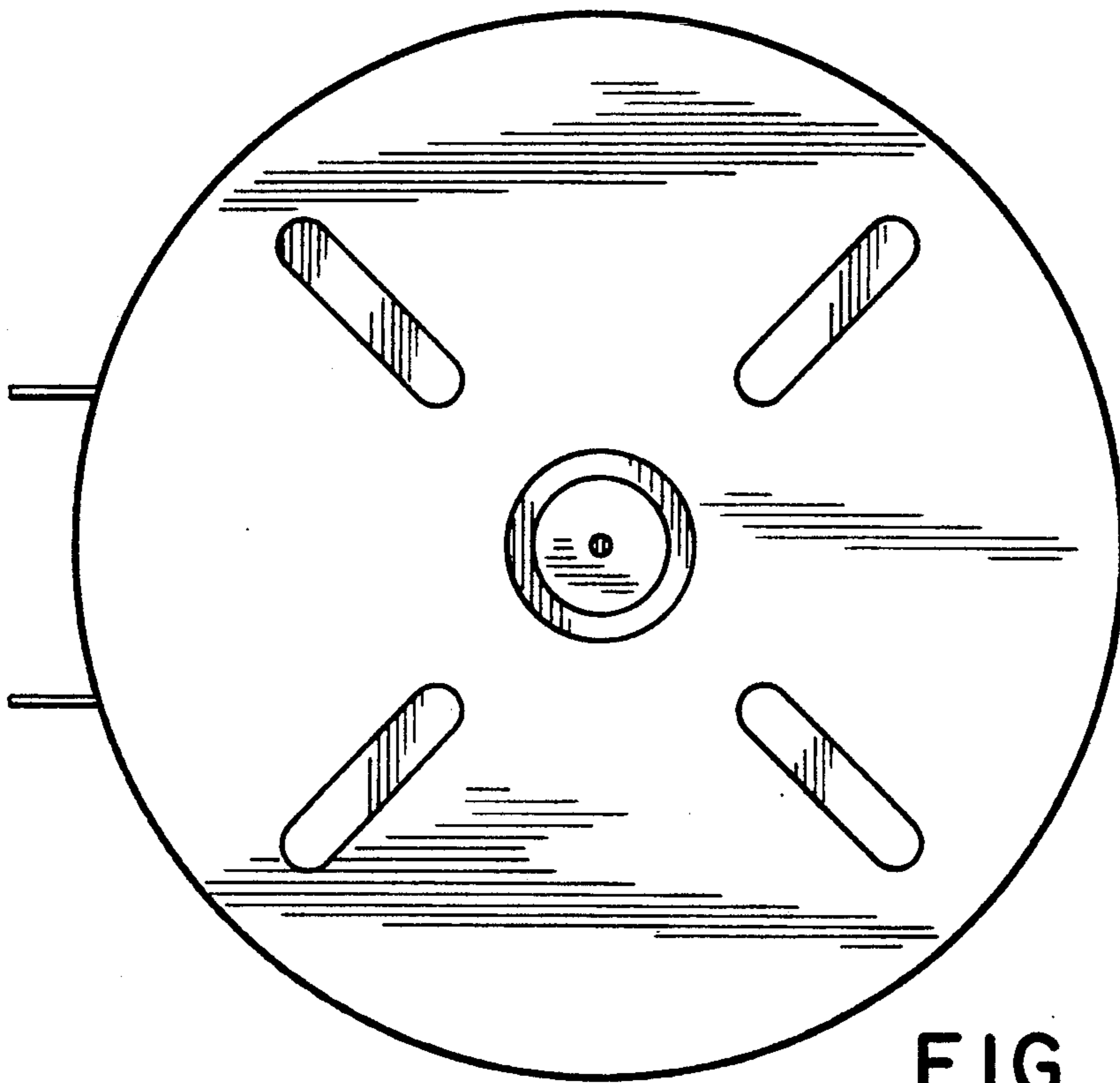


FIG. 6

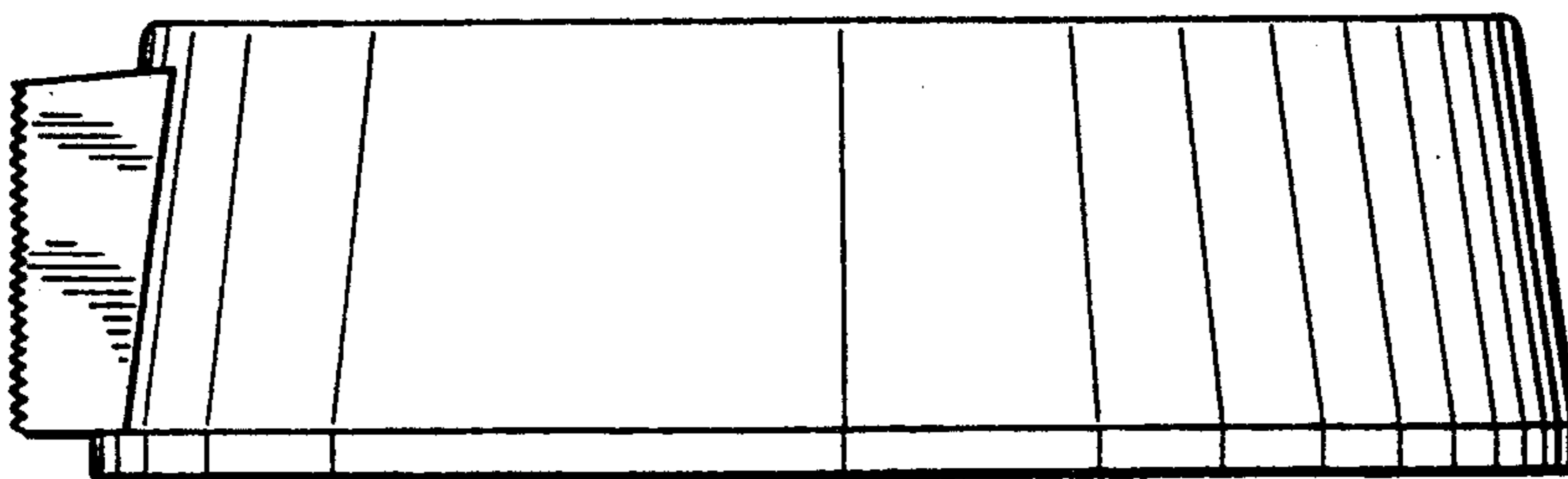


FIG. 7