



US00D326968S

United States Patent [19]

[11] Patent Number: **Des. 326,968**

White, Jr.

[45] Date of Patent: **** Jun. 16, 1992**

[54] DRESSER

[75] Inventor: **Winsor D. White, Jr., Chicago, Ill.**

[73] Assignee: **Henredon Furniture Industries, Inc., Morganton, N.C.**

[**] Term: **14 Years**

[21] Appl. No.: **372,782**

[22] Filed: **Jun. 28, 1989**

[52] U.S. Cl. **D6/445; D6/444; D6/446; D6/448; 312/324**

[58] Field of Search **D6/445, 338, 339, 444, D6/445, 446, 448; 312/255, 304, 321, 321.5, 324, 330, 330.1**

[56] References Cited

U.S. PATENT DOCUMENTS

D. 189,784	2/1961	Swarts et al.	D6/445
D. 202,987	11/1965	Hekler	D6/446
D. 239,065	3/1976	Sgombick	D6/445
D. 299,296	1/1989	Lafko	D6/444
3,148,915	9/1964	Connolly	312/324 X

OTHER PUBLICATIONS

American of Martinsville, page insert, "2201-216 Door Dresser", top left of page.

American of Martinsville, page insert, "3206-216 Door Dresser", right side of page.

Clark Casual, "263 Triple Dresser", p. 41, top center of page.

Ficks Reed Cat. #4791, p. 25, "W-7501W Double Dresser", bottom right of page.

Primary Examiner—Donald P. Walsh

Assistant Examiner—Monica A. Hannon

Attorney, Agent, or Firm—Edgar A. Zarins; Malcolm L. Sutherland

[57] CLAIM

The ornamental design for dresser, as shown and described.

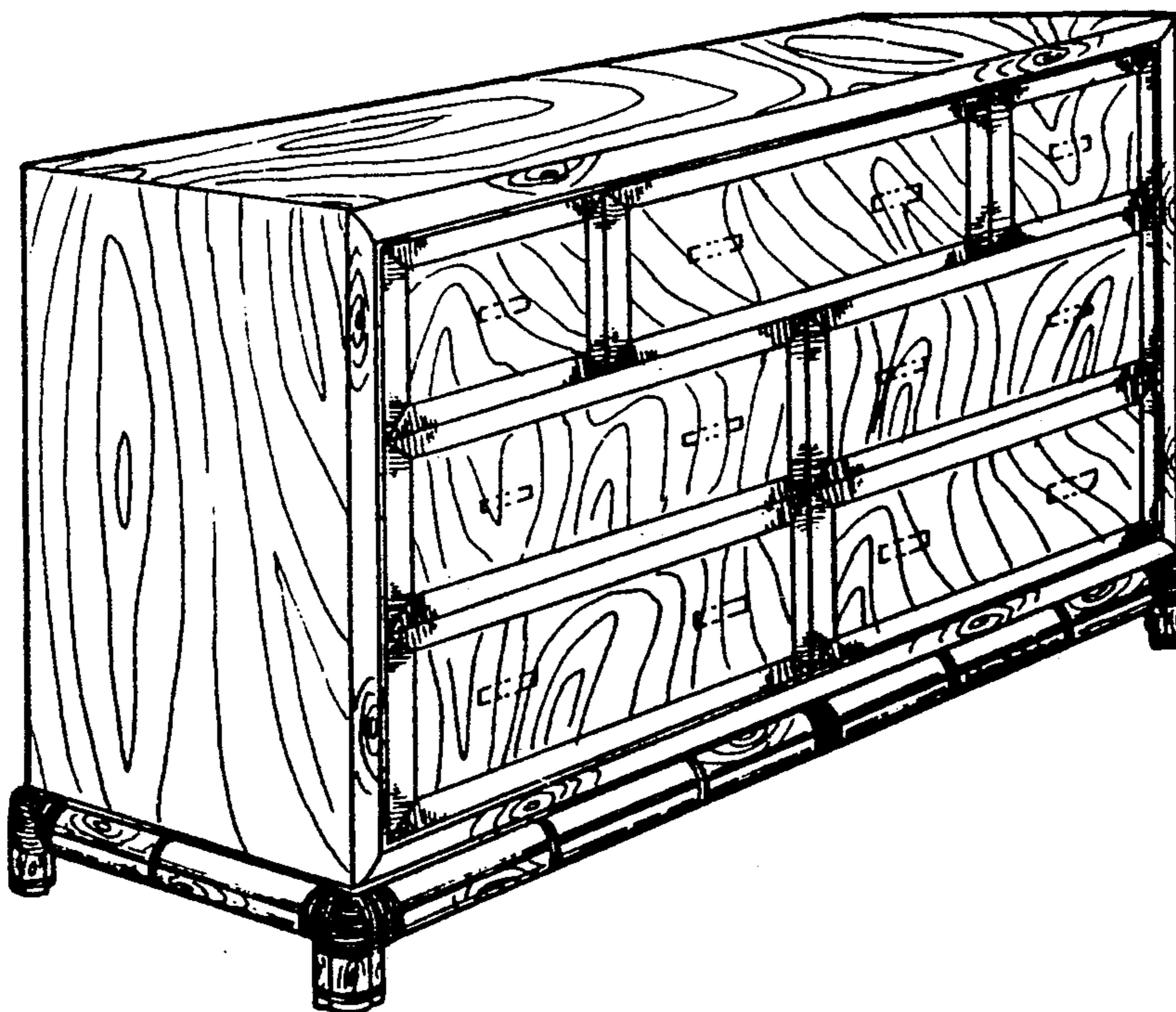
DESCRIPTION

FIG. 1 is a front perspective view of a dresser showing my new design;

FIG. 2 is a side elevational view thereof, the side not shown being a mirror image;

FIG. 3 is a top plan view thereof; and,

FIG. 4 is a front elevational view thereof.



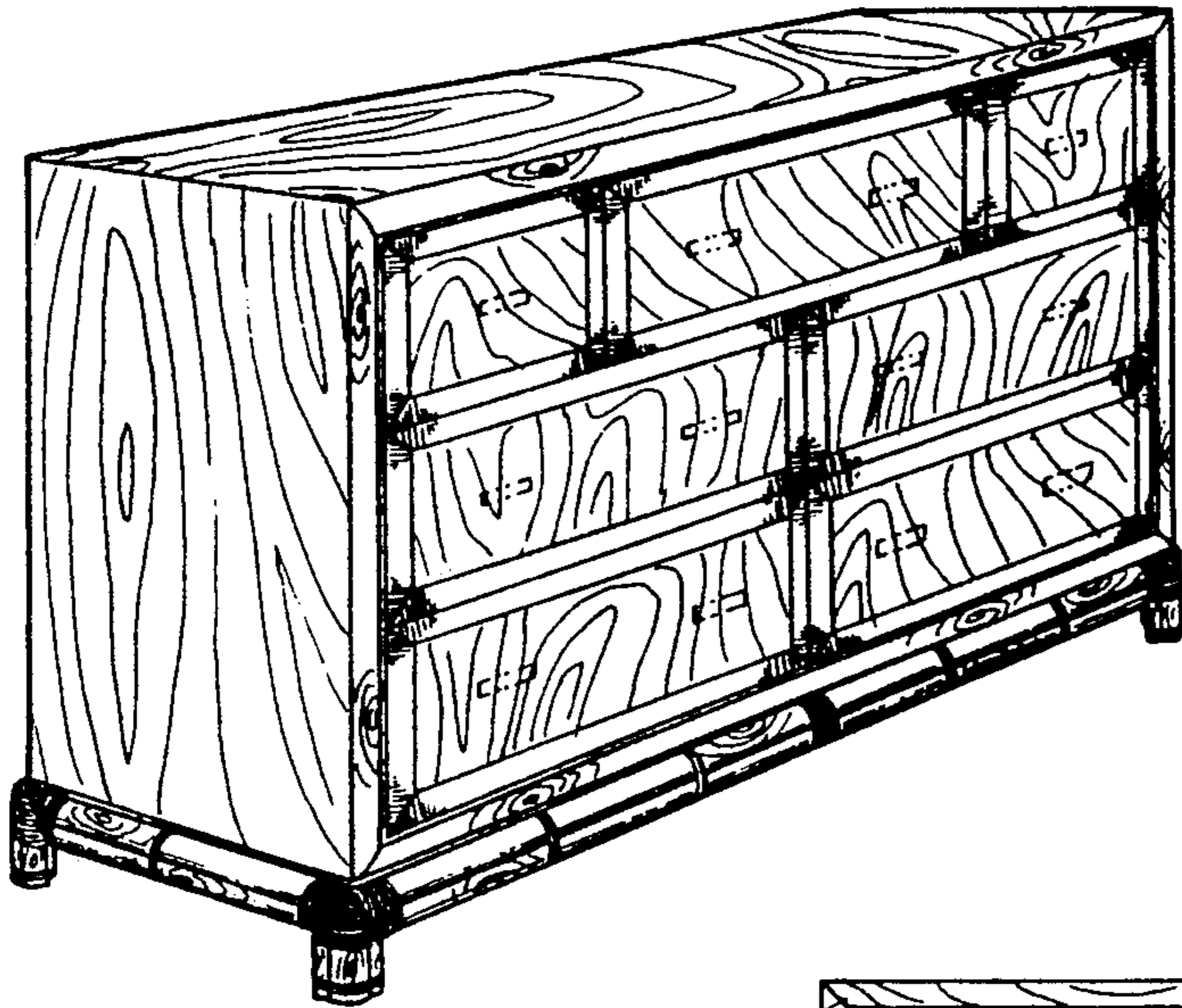


Fig-1

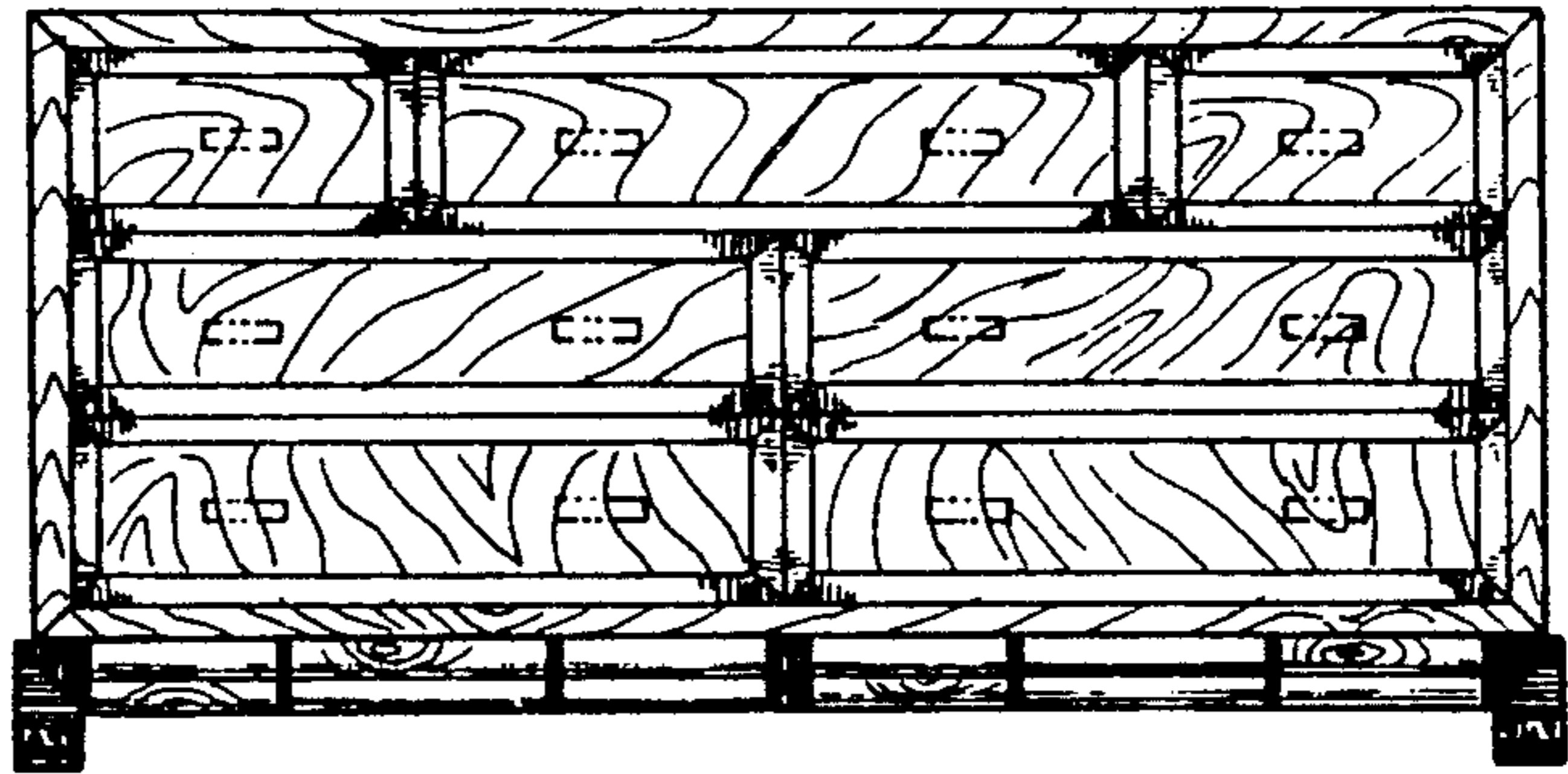


Fig-4

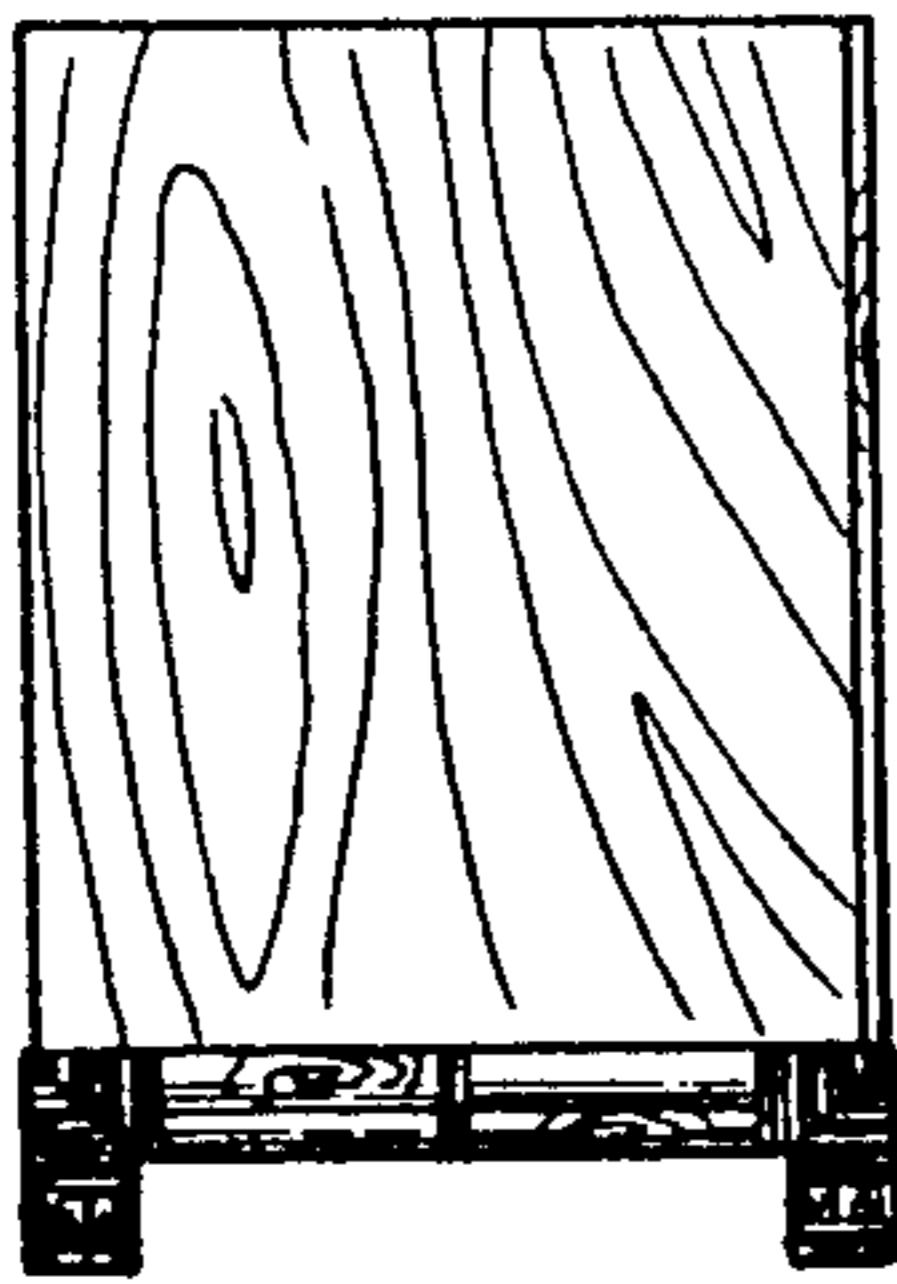


Fig-2

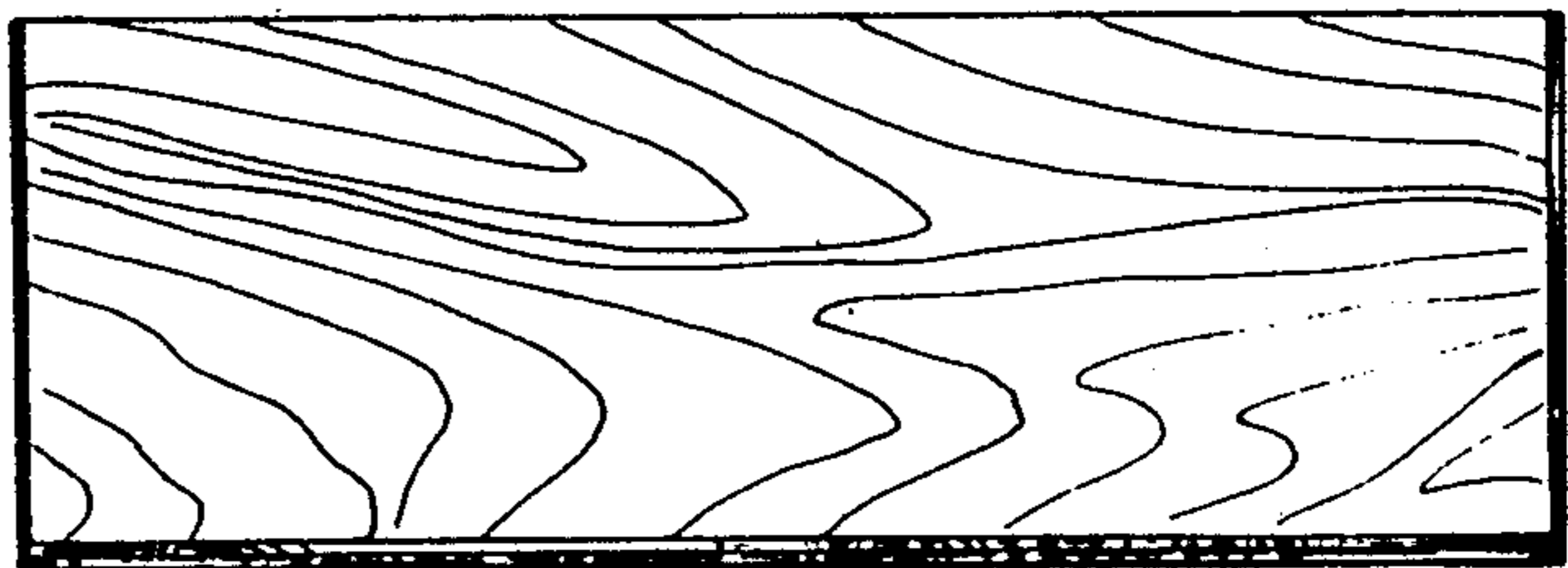


Fig-3