



US00D326967S

United States Patent [19]

[11] Patent Number: **Des. 326,967**

Bardelang

[45] Date of Patent: **** Jun. 16, 1992**

[54] **CABINET FOR ELECTRONIC EQUIPMENT**

[76] Inventor: **Wayne A. Bardelang**, 2402 SW. 128th Ave., Miami, Fla. 33175

[**] Term: **14 Years**

[21] Appl. No.: **357,855**

[22] Filed: **May 30, 1989**

[52] U.S. Cl. **D6/436; D6/446; D6/471**

[58] Field of Search **D6/396, 397, 429-431, D6/422, 449, 432, 436, 446, 473, 474, 470-472; D14/114; 312/208, 114, 117**

D. 283,092	3/1986	Johnston	D6/423
D. 293,398	12/1987	Kwiesinski	D6/430
D. 297,141	8/1988	Goodlander	D6/436 X
4,243,281	1/1981	Egger	312/208
4,626,048	12/1986	Goodlander	312/208
4,755,010	7/1988	Wilson et al.	312/208
4,763,965	8/1988	Reppel	312/317

OTHER PUBLICATIONS

The office, Sep. 1985, p. 190, Viking advertisement item A.

Primary Examiner—Donald P. Walsh
Assistant Examiner—Jeffrey Asch
Attorney, Agent, or Firm—Oltman and Flynn

[56] References Cited

U.S. PATENT DOCUMENTS

D. 173,922	1/1955	Weise	D6/436
D. 179,434	12/1956	Wycoski	D6/436
D. 194,575	2/1963	MacVicar	D6/436 X
D. 197,287	1/1964	Schaefer	D6/471 X
D. 204,179	3/1966	Weber	D6/474 X
D. 219,186	11/1970	Leath	D6/463
D. 220,147	3/1971	Atkinson	D6/473
D. 230,545	3/1974	Mouchon	D6/470
D. 247,079	1/1978	Otema	D6/436
D. 248,003	5/1978	Gazarek	D6/161
D. 279,629	7/1985	Musgrave	D6/422

[57] CLAIM

The ornamental design for a cabinet for electronic equipment, as shown.

DESCRIPTION

FIG. 1 is a front elevational view of a cabinet for electronic equipment showing my new design; FIG. 2 is a left side elevational view thereof; FIG. 3 is a top plan view thereof; FIG. 4 is a rear elevational view thereof; FIG. 5 is a right side elevational view thereof; FIG. 6 is a bottom plan view thereof; and, FIG. 7 is a top front left perspective view thereof.

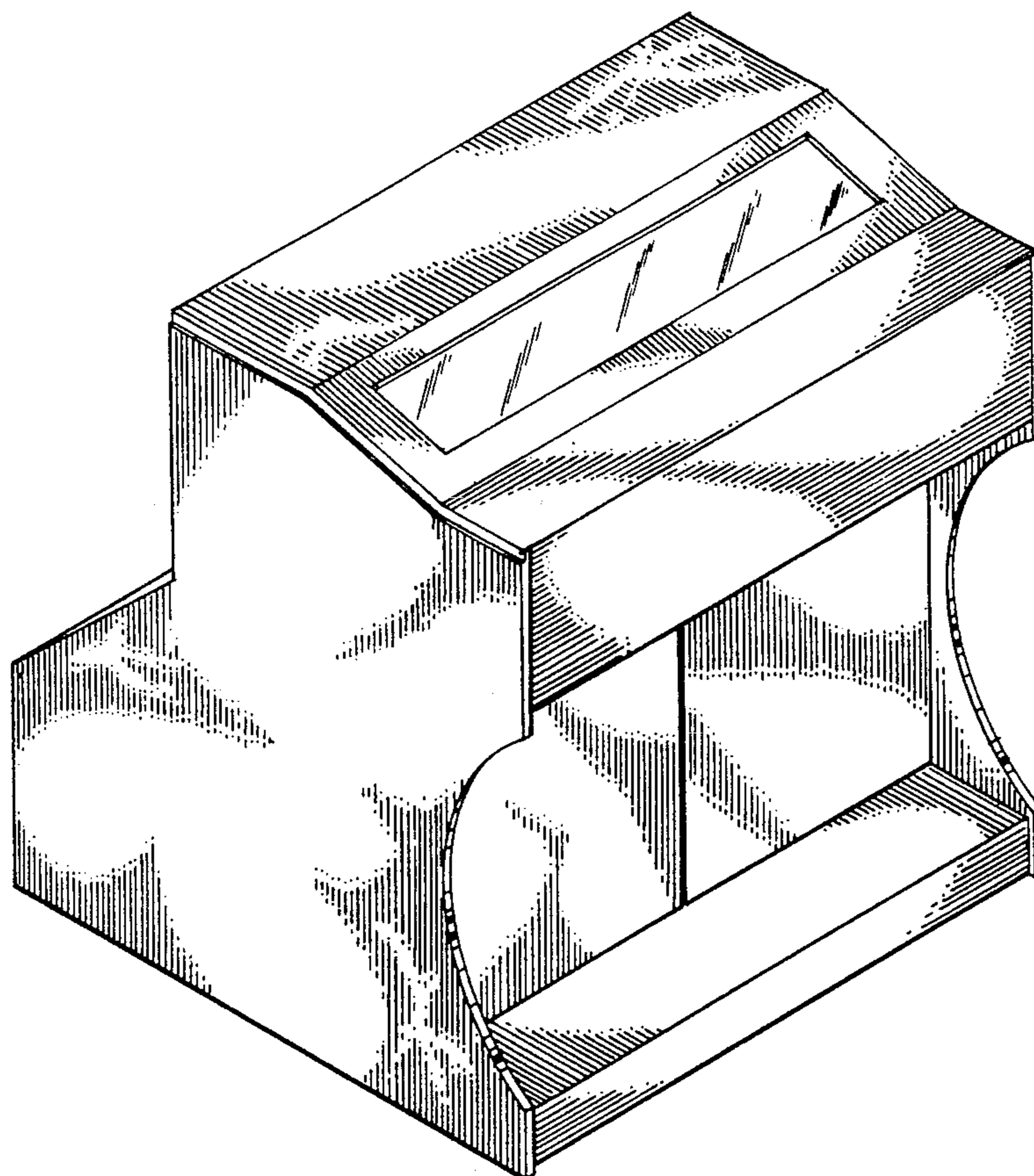


FIG. 1

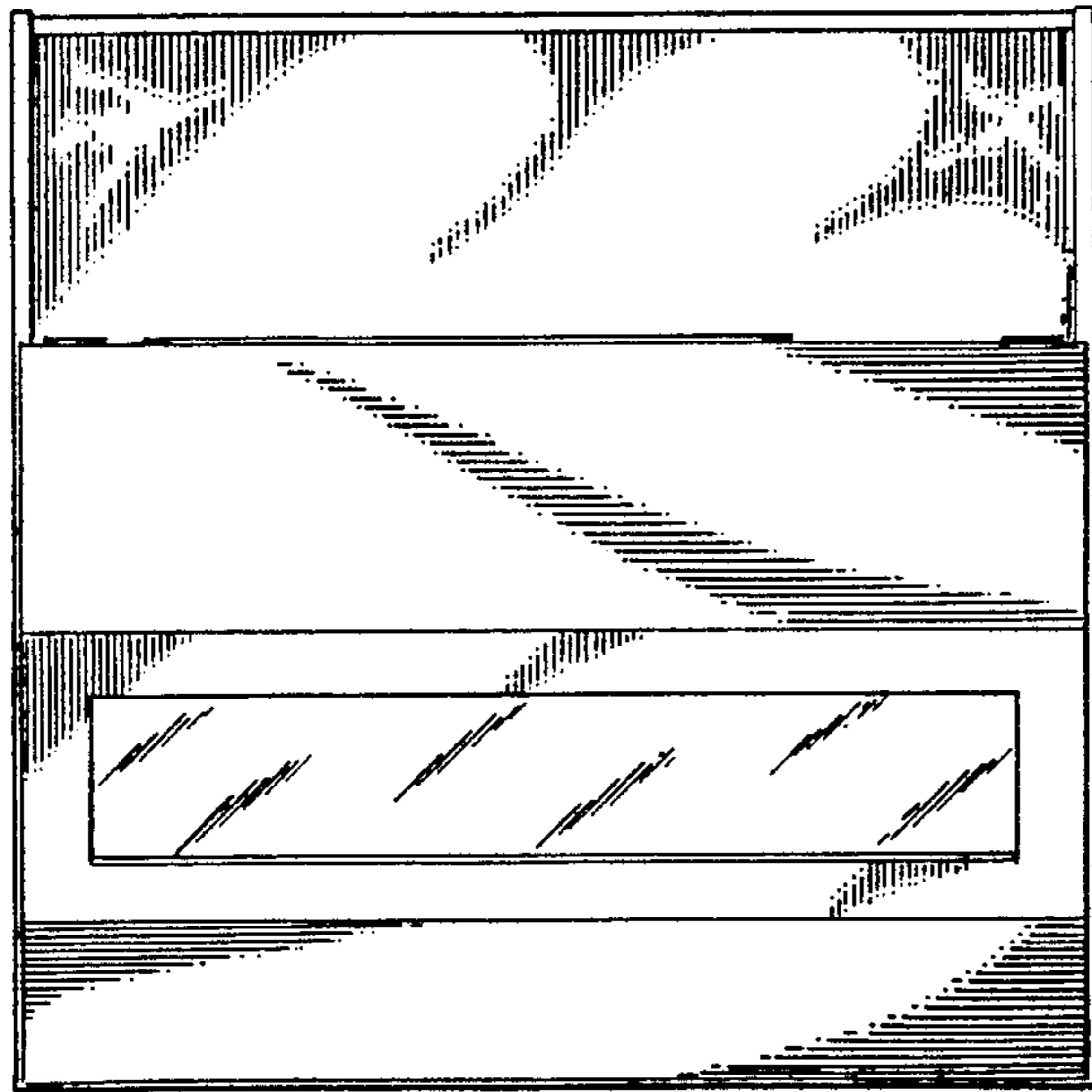
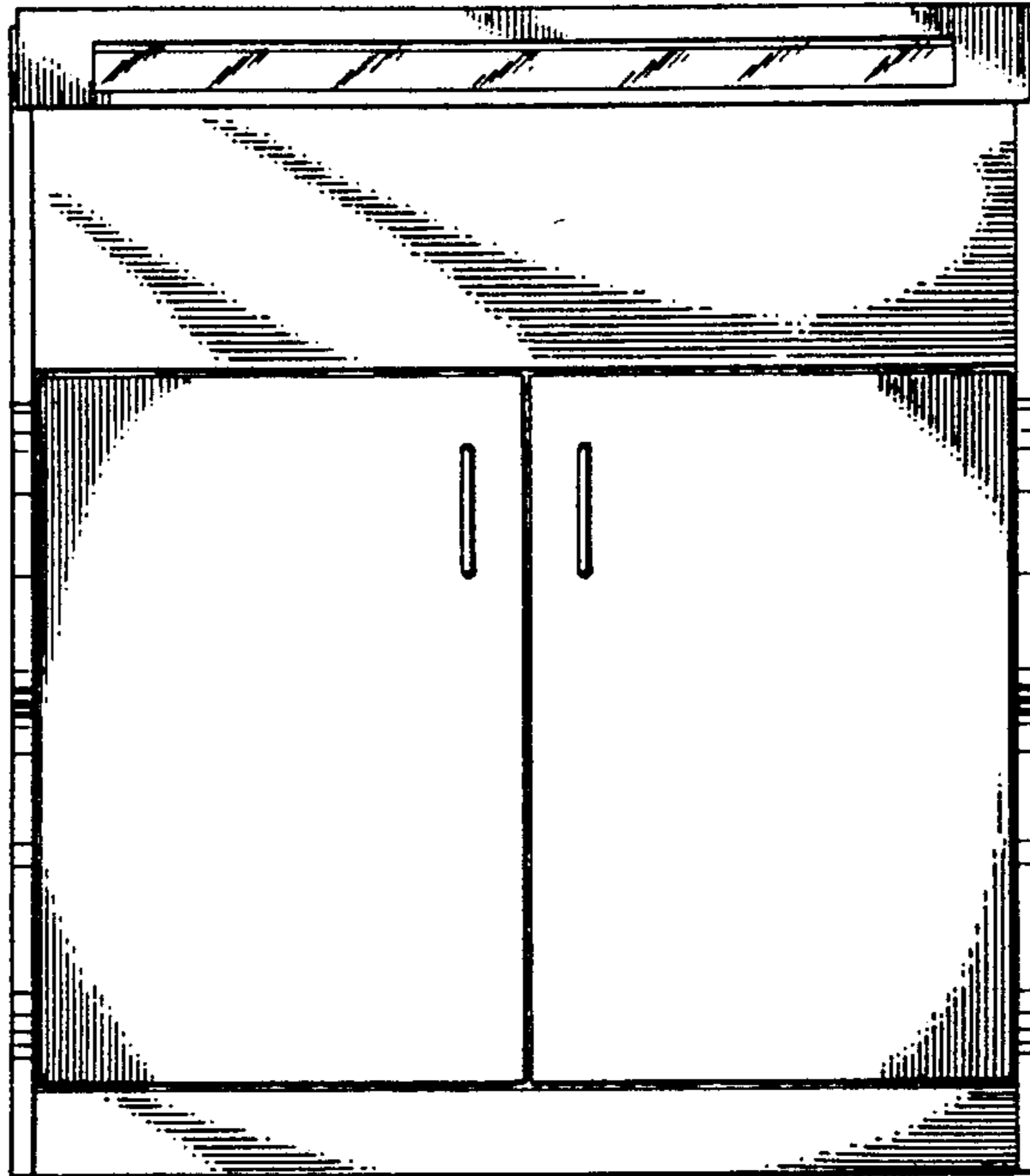


FIG. 3

FIG. 2

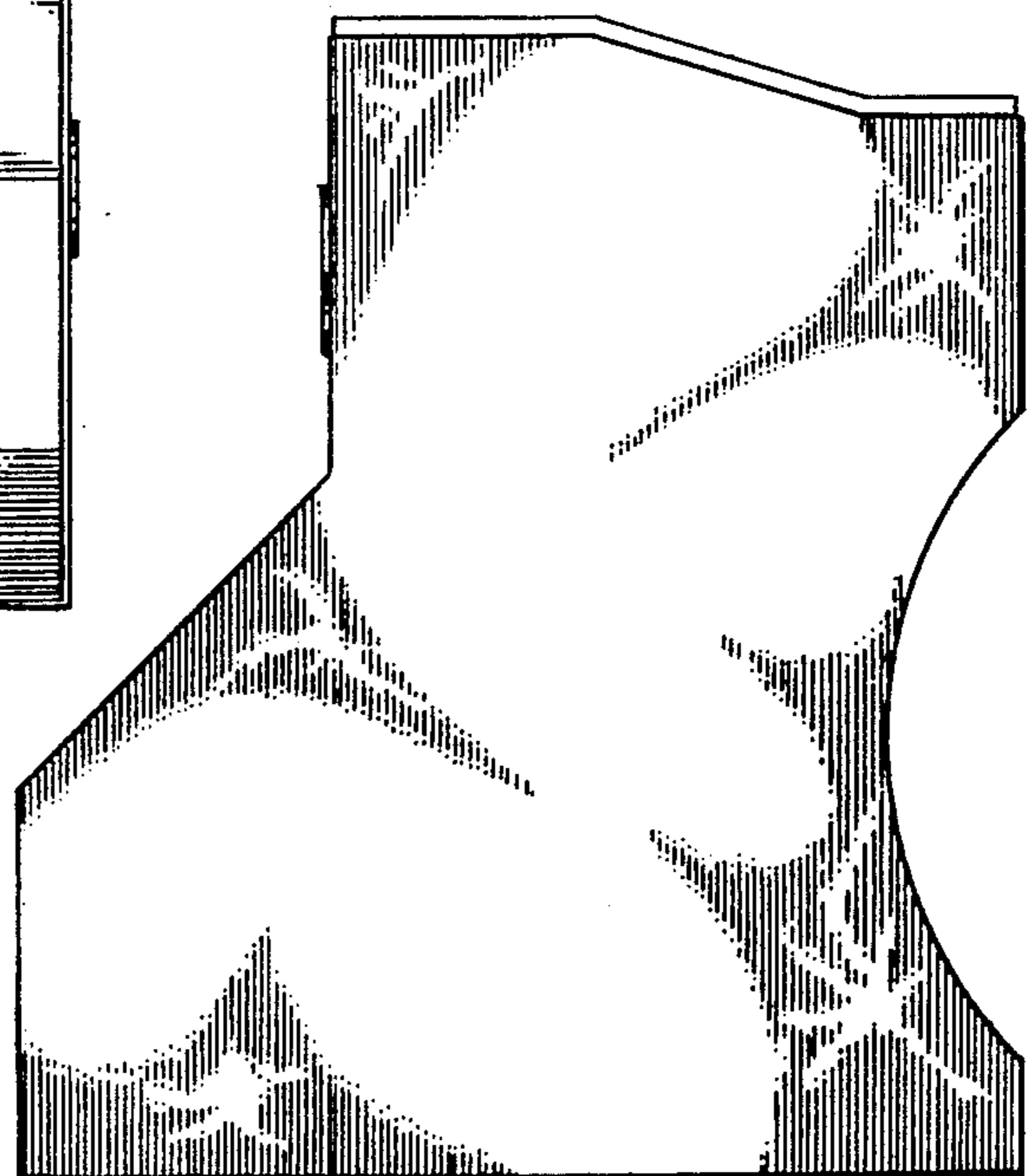


FIG. 4

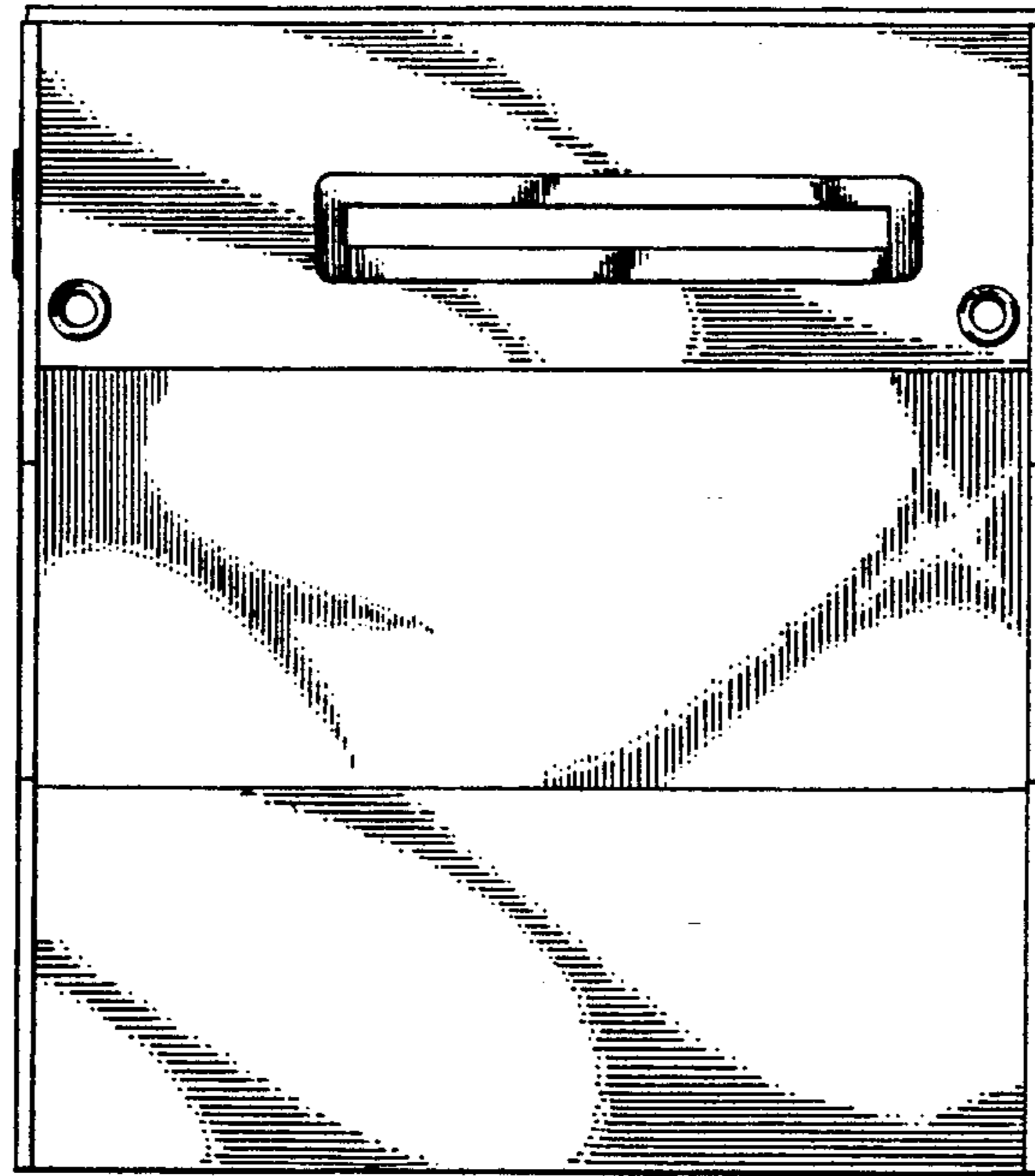


FIG. 5

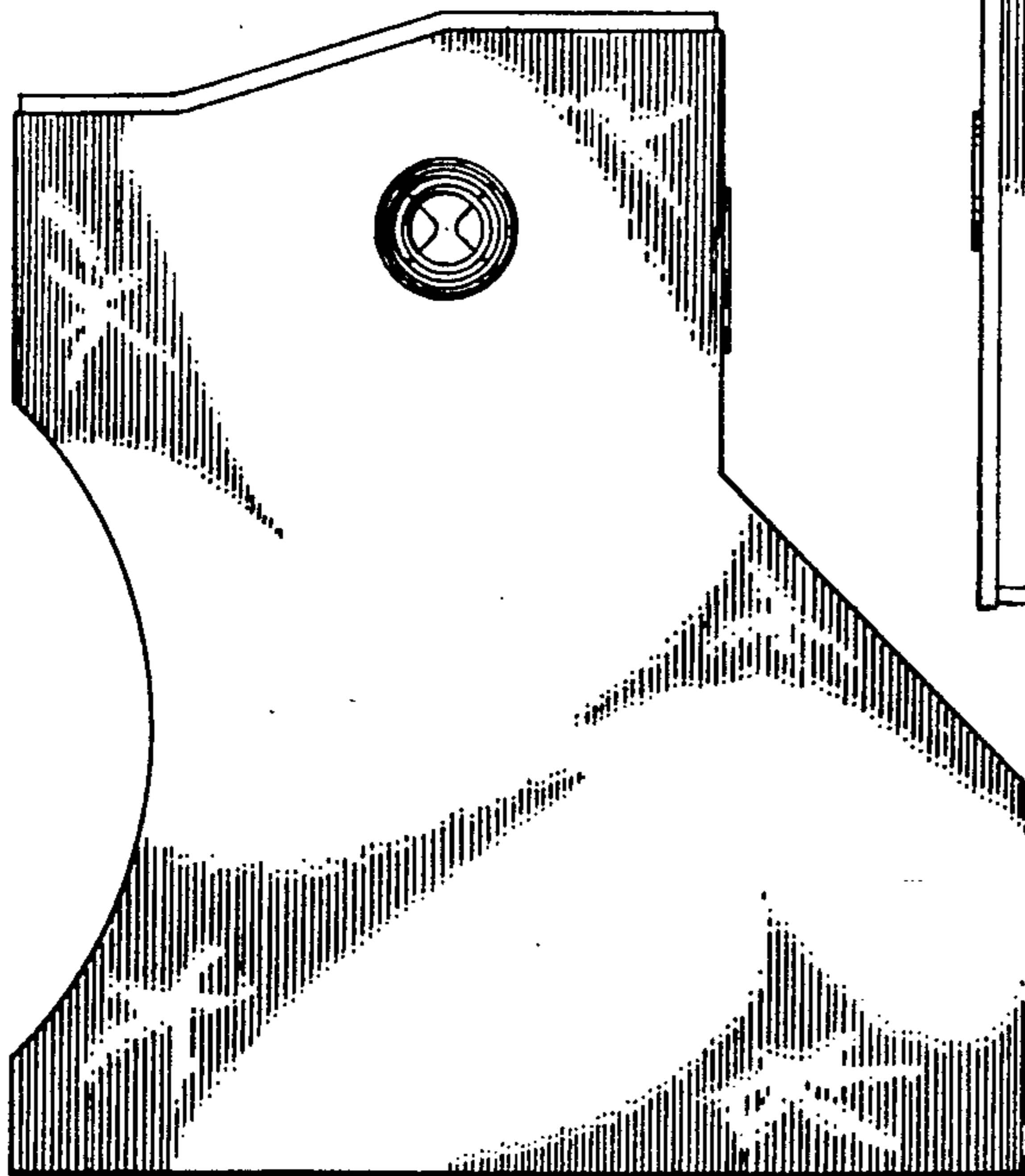
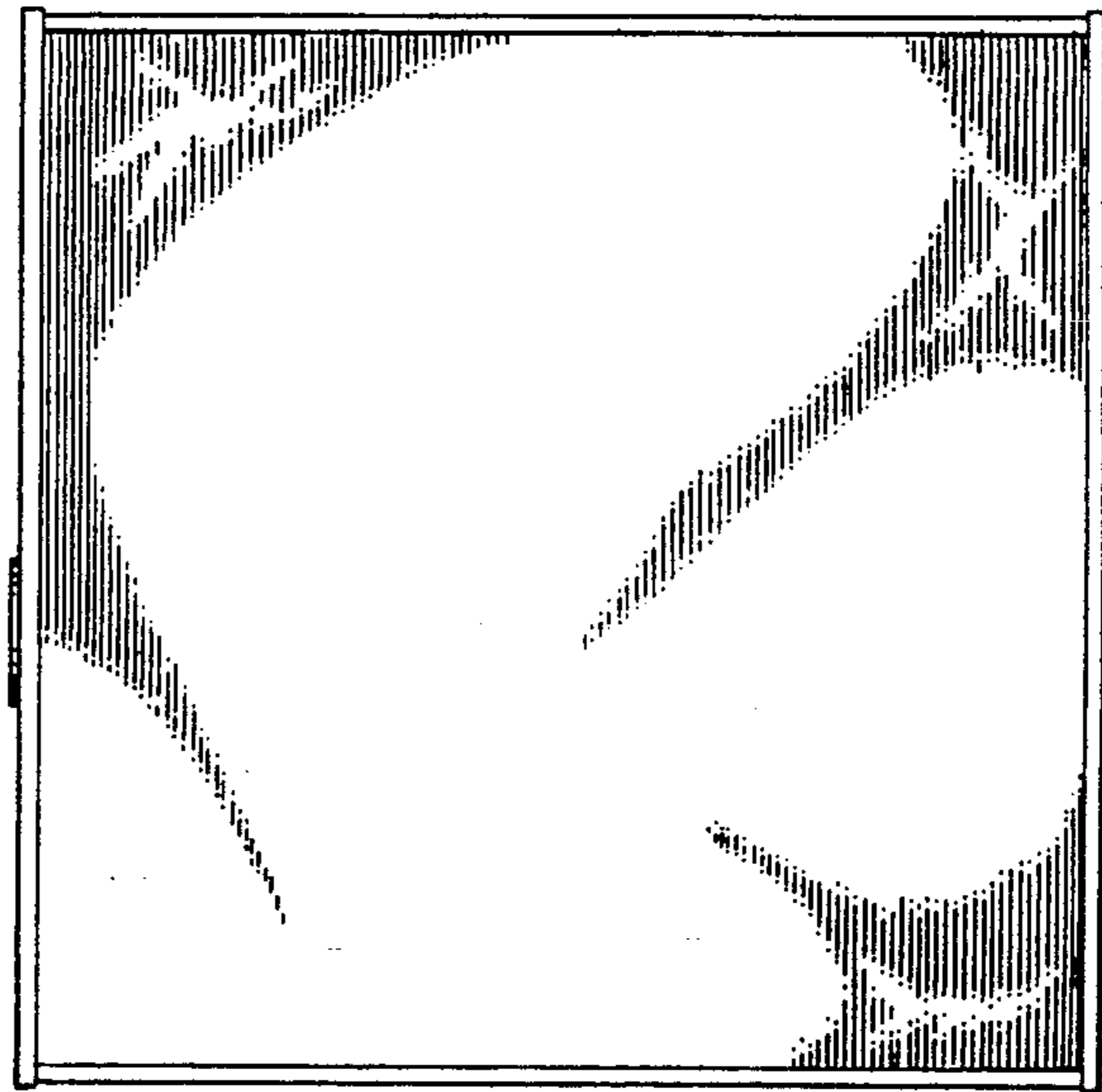


FIG. 6



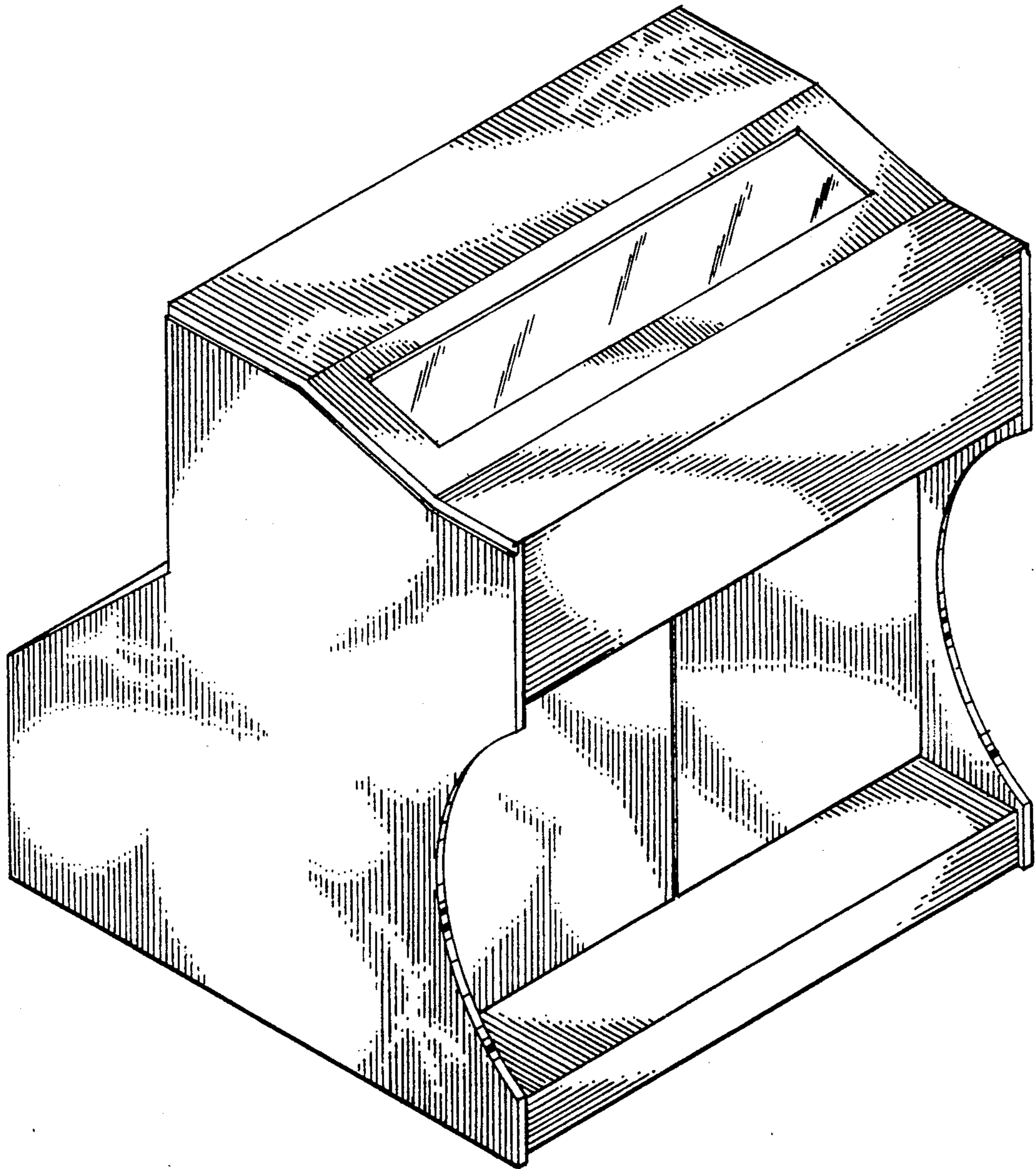


FIG. 7