



US00D326962S

United States Patent [19]

Mowry et al.

[11] Patent Number: **Des. 326,962**

[45] Date of Patent: **** Jun. 16, 1992**

[54] **LAP TRAY**

[76] Inventors: **Tom Mowry**, 1025 East Stewart, Dayton, Ohio 45410; **George V. Grant, III**, 10135 47th Ave. N., Plymouth, Minn. 55442

[**] Term: **14 Years**

[21] Appl. No.: **704,646**

[22] Filed: **May 23, 1991**

D. 92,592	6/1934	Devendorf	D9/431
D. 103,600	3/1937	Shields, Jr.	D30/129 X
D. 255,310	6/1980	Spencer	D7/553
D. 269,045	5/1983	Easton	D30/130
D. 270,225	8/1983	Chiullé	D7/554 X
D. 308,450	6/1990	Harris et al.	D6/406
D. 312,896	12/1990	Goetz	D30/130
4,235,472	11/1980	Sparks et al.	108/43 X

Primary Examiner—Carmen H. Vales-Lado
Assistant Examiner—Janice E. Seeger
Attorney, Agent, or Firm—Steven E. Kahm

Related U.S. Application Data

[63] Continuation-in-part of Ser. No. 294,580, Jan. 9, 1989, abandoned.

[52] U.S. Cl. **D6/406; D7/554; D30/130**

[58] Field of Search **D6/406, 491, 419, 420, D6/338, 510, 511; D7/553, 554; D3/40; 108/43; D30/129, 130**

[56] References Cited

U.S. PATENT DOCUMENTS

D. 34,668 6/1901 Collins D7/354

[57] CLAIM

The ornamental design for a lap tray, as shown and described.

DESCRIPTION

FIG. 1 is a perspective view of a lap tray showing my new design;
FIG. 2 is a side elevational view, the opposite side being identical thereto;
FIG. 3 is an end elevational view, the opposite end being identical thereto;
FIG. 4 is a top plan view; and,
FIG. 5 is a bottom plan view.

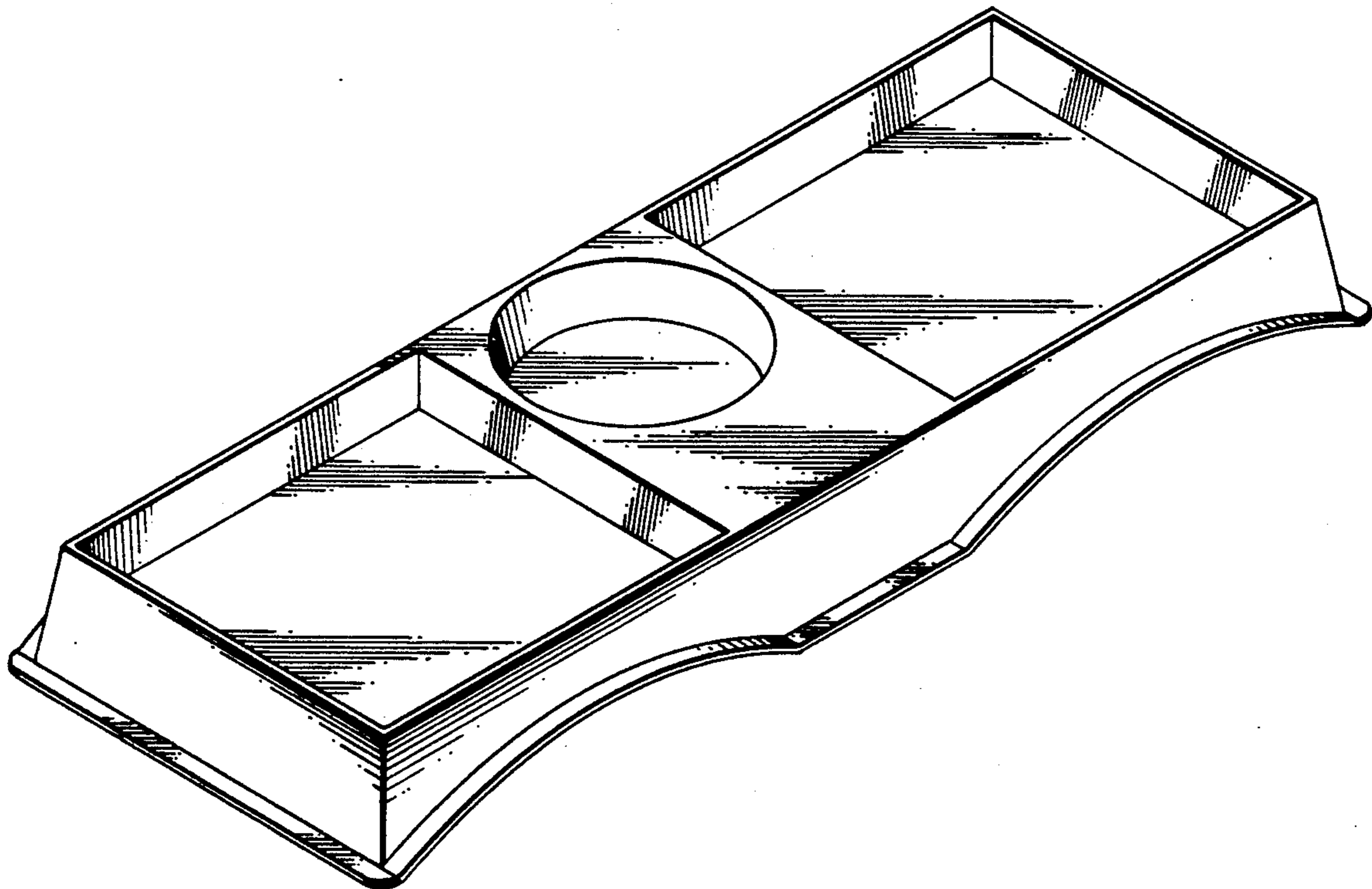


FIG. 1

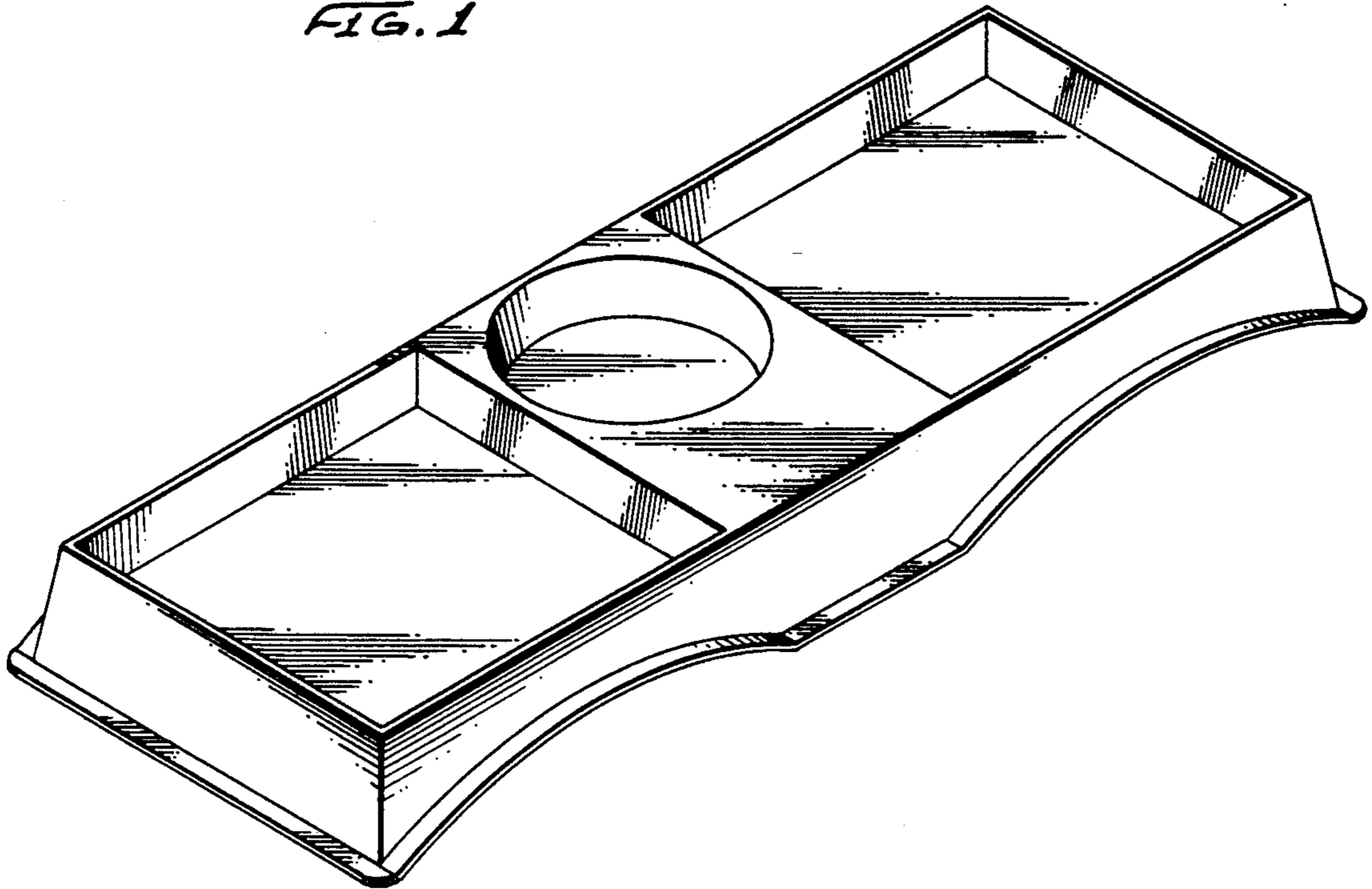


FIG. 2

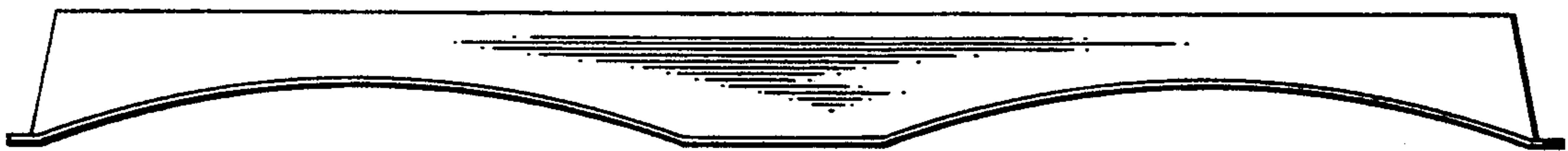


FIG. 3

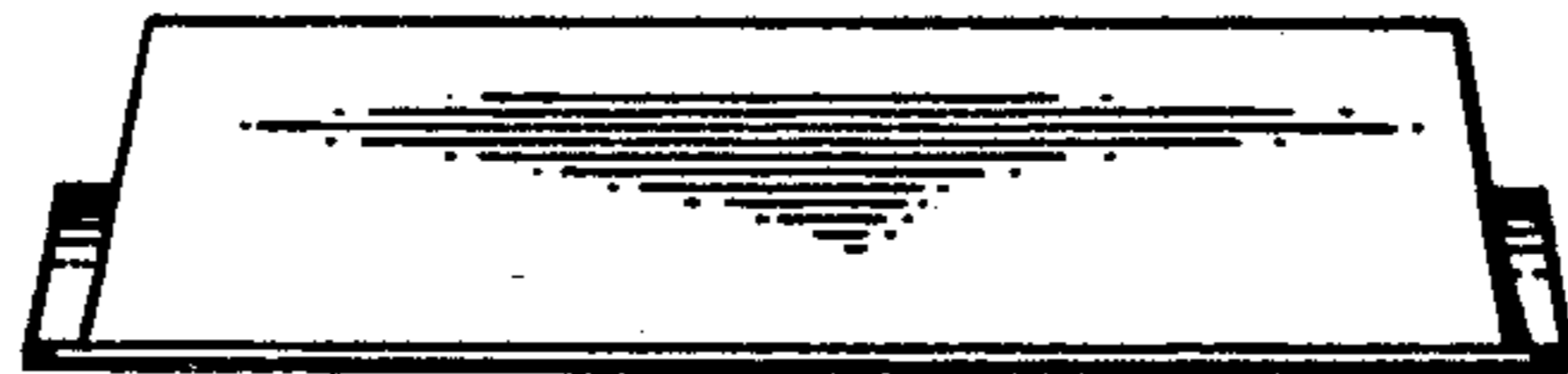


FIG. 4

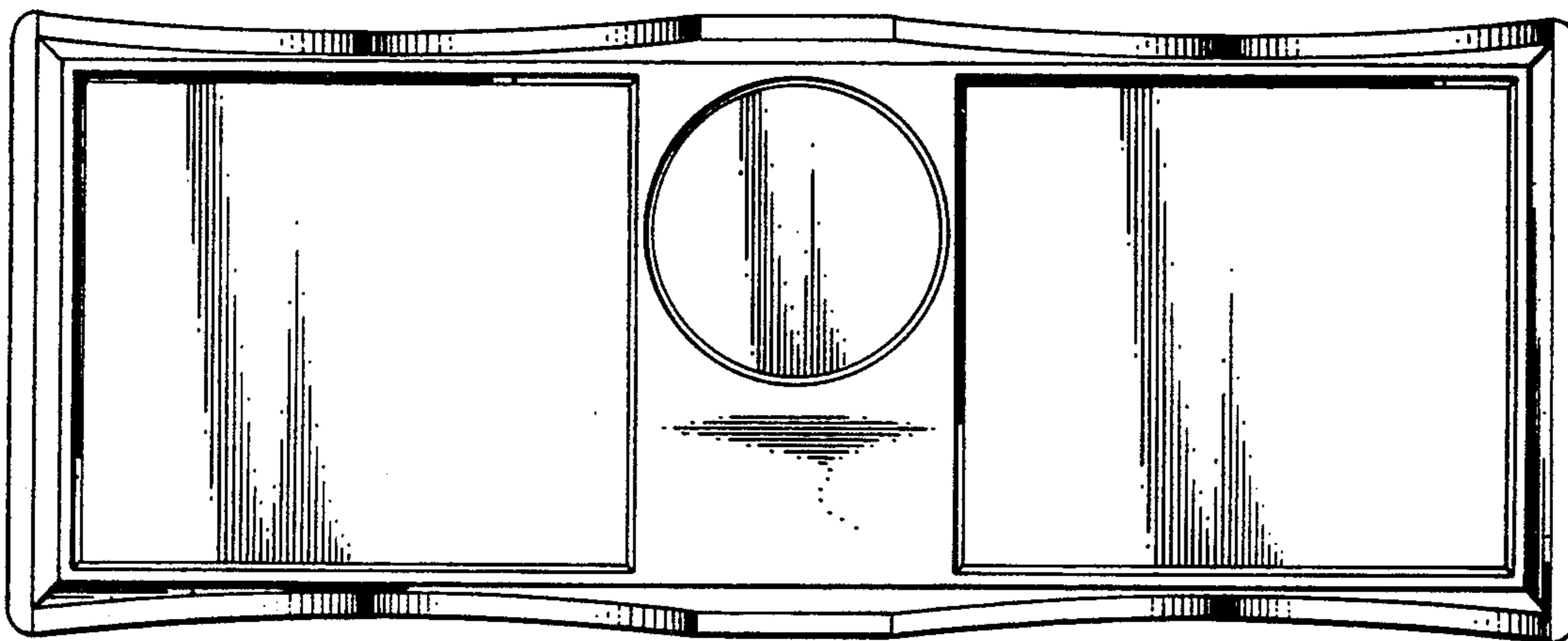


FIG. 5

