



US00D326947S

United States Patent [19]

[11] Patent Number: **Des. 326,947**

Roberts et al.

[45] Date of Patent: **** Jun. 9, 1992**

[54] **COMBINED MEMORIAL HOLDER AND COLLECTION BOX**

OTHER PUBLICATIONS

"Roberts & Downey" catalog (1987).
"Church & Chapel Metal Arts, Inc." p. 13 (Jun. 1985).

[76] Inventors: **Rickey J. Roberts**, 168 E. Park St., Argenta, Ill. 62501; **Harold L. Downey**, R.R., Oakley, Ill. 62552

Primary Examiner—Donald P. Walsh
Assistant Examiner—J. H. Musgrove
Attorney, Agent, or Firm—Ferrill, Logan, Johns & Blasko

[**] Term: **14 Years**

[57] CLAIM

[21] Appl. No.: **400,897**

The ornamental design for a combined memorial holder and collection box, as shown and described.

[22] Filed: **Aug. 30, 1989**

DESCRIPTION

[52] U.S. Cl. **D99/25**

[58] Field of Search D99/25; 27/1-10; 232/43.1, 43.5; D6/430, 484, 419, 420

FIG. 1 is a top, front and left side perspective view of a combined memorial holder and collection box showing our new design;

FIG. 2 is a right side elevational view, the left side being a mirror image;

FIG. 3 is a rear elevational view;

FIG. 4 is a front elevational view of a second embodiment showing our new design;

FIG. 5 is a right side elevational view of a second embodiment of our new design of FIG. 4, the left side being a mirror image;

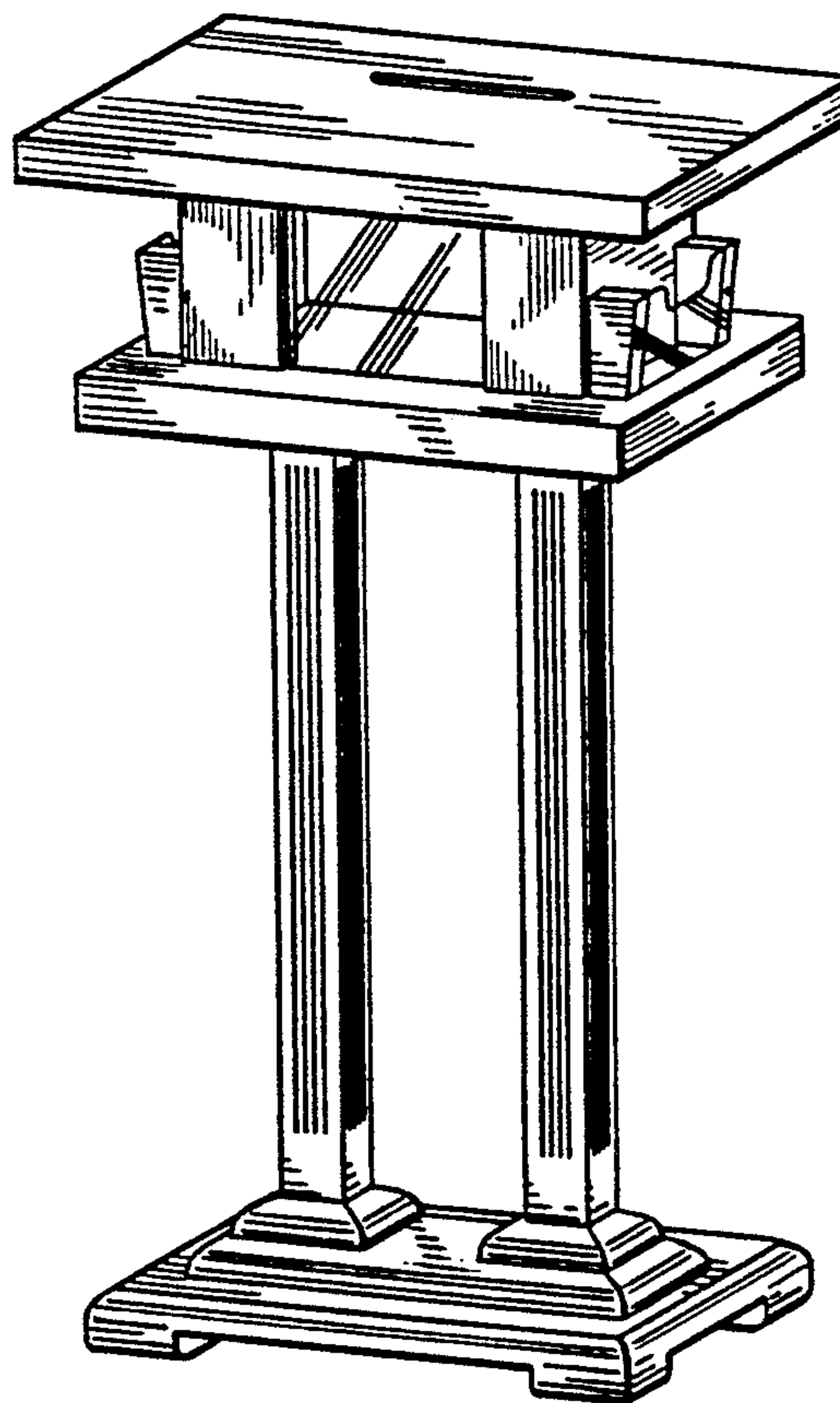
FIG. 6 is a top plane view thereof; and,

FIG. 7 is a rear elevational view thereof.

[56] References Cited

U.S. PATENT DOCUMENTS

D. 109,414	4/1938	Meagher	D6/419
D. 194,328	1/1963	Fandrey	D6/419
D. 198,755	7/1964	Isaia	D99/25
D. 217,363	4/1970	Lectern	D6/419
D. 265,033	6/1982	Sogoian	D6/480
D. 306,534	3/1990	Bacon et al.	D6/419



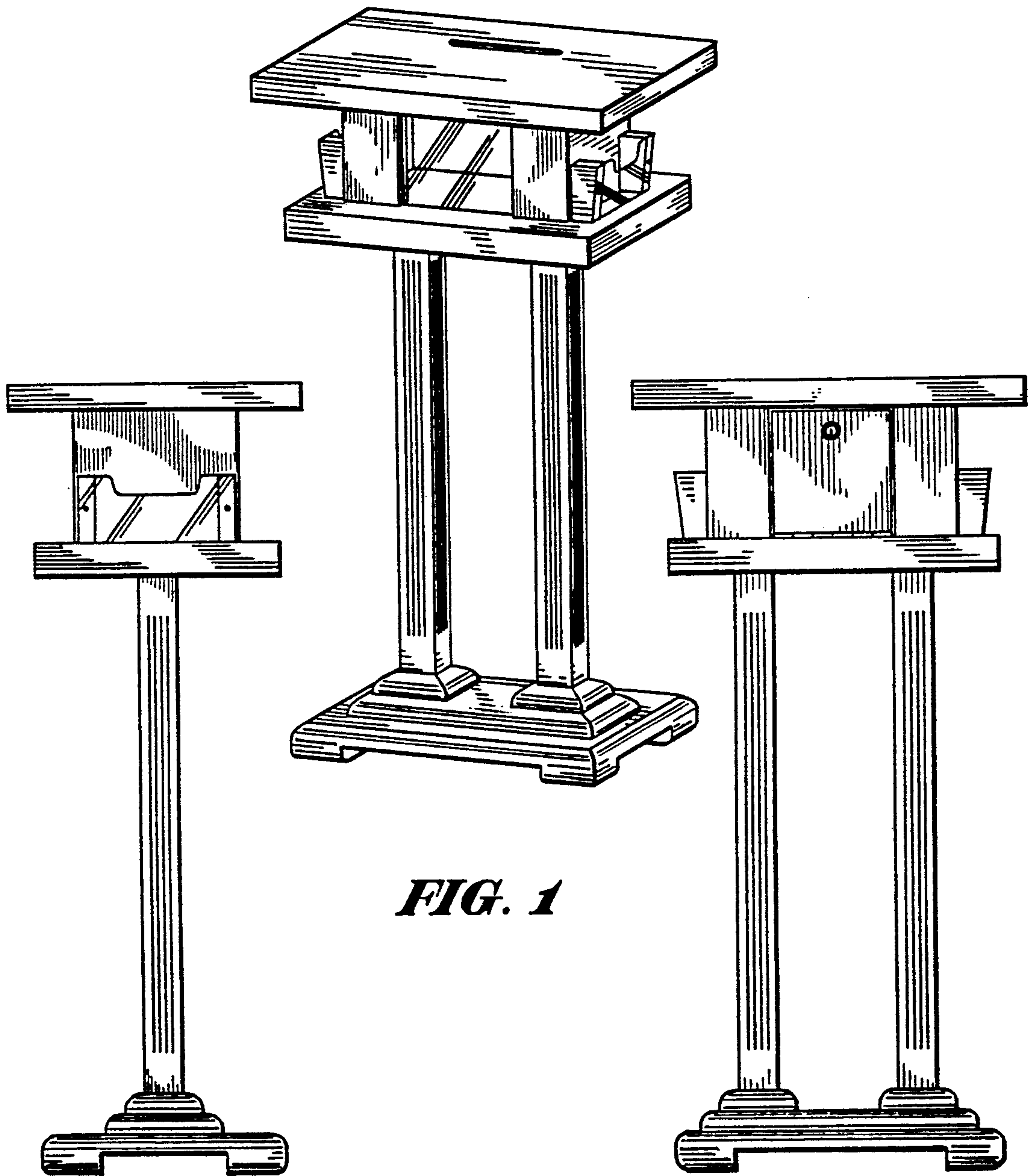


FIG. 1

FIG. 2

FIG. 3

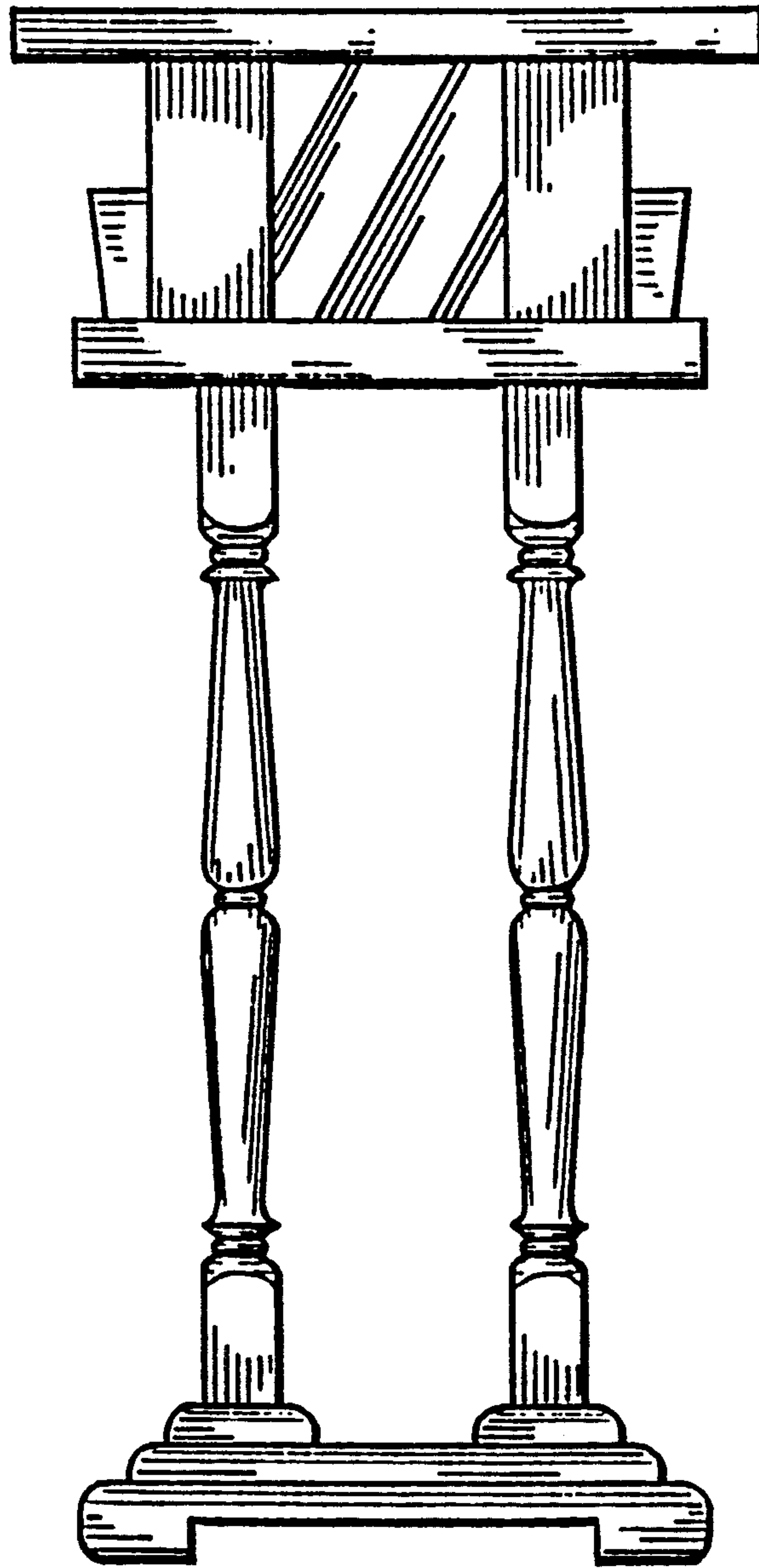


FIG. 4

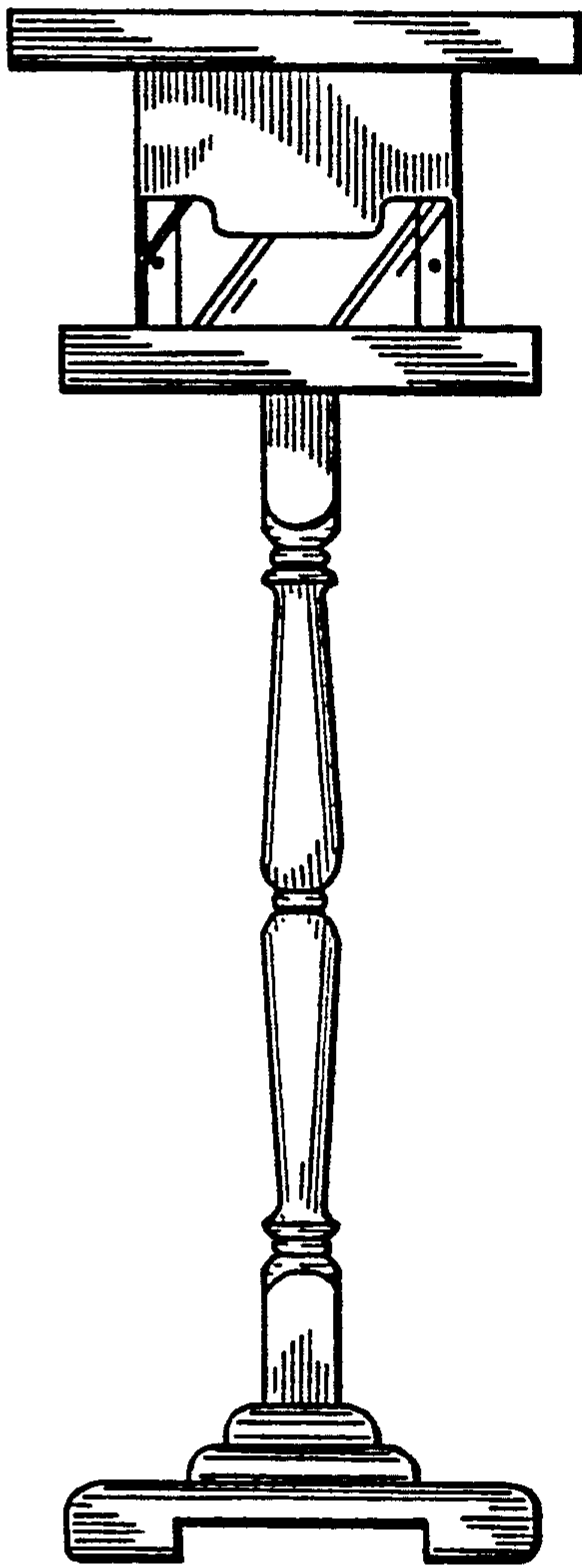


FIG. 5

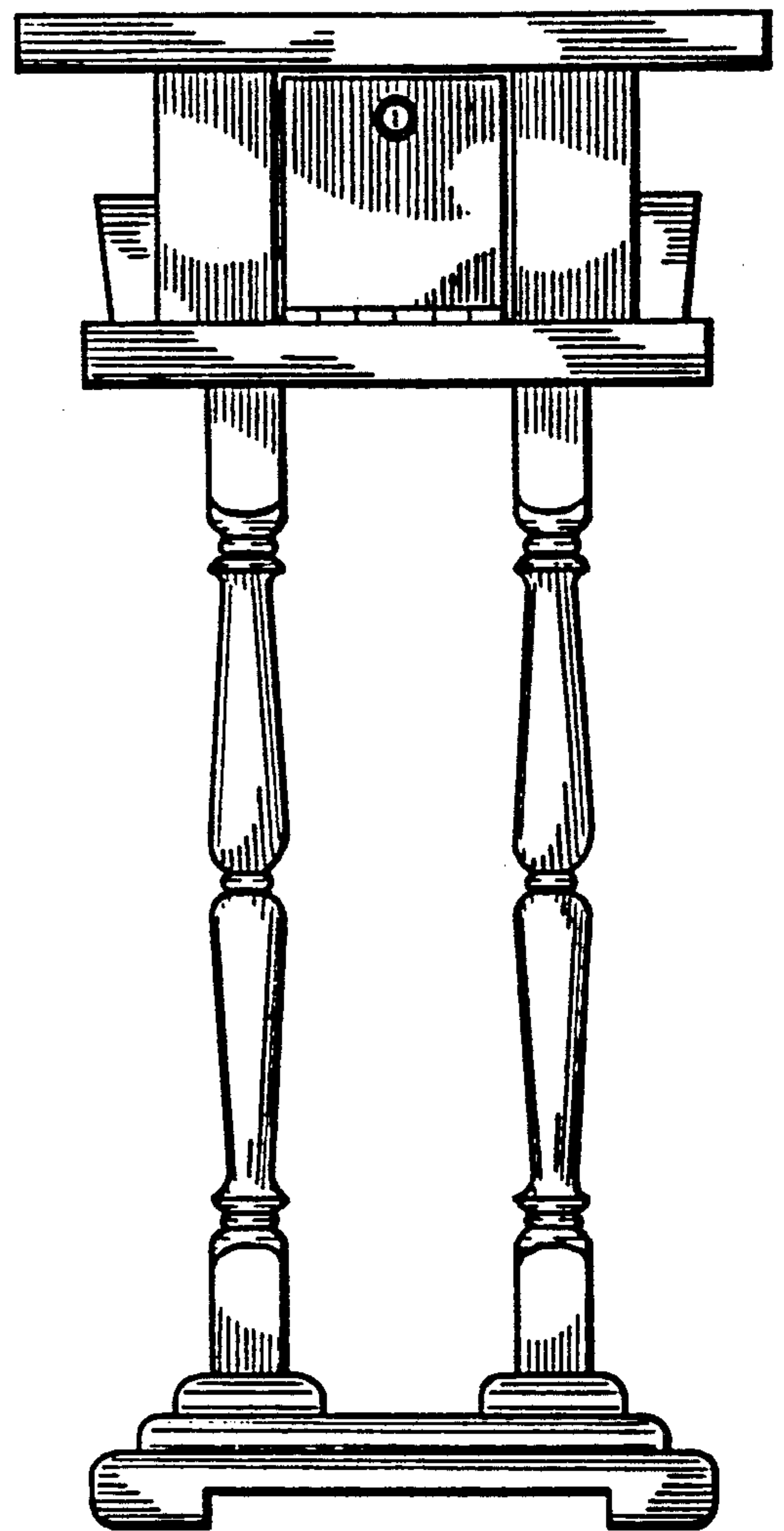


FIG. 7

FIG. 6

