



US00D326946S

# United States Patent [19]

[11] Patent Number: **Des. 326,946**

Szuster

[45] Date of Patent: **\*\* Jun. 9, 1992**

[54] **BASKET FOR CARRYING A COMPUTER OR THE LIKE**

[56] **References Cited**

### U.S. PATENT DOCUMENTS

- D. 47,022 3/1915 Bruton ..... D6/476 X
- D. 178,838 9/1956 Jacoby ..... D6/462 X
- D. 264,761 6/1982 Dekarski ..... D34/42
- D. 286,117 10/1986 Wellington ..... D6/462 X
- 4,953,473 9/1990 Tomaka et al. .... 108/129 X

[76] Inventor: **Paul A. P. Szuster**, 64 Clifton Street, Malvern, South Australia, Australia, 5061

### OTHER PUBLICATIONS

Global Catalog, p. 22, 38" High cart at center of page.

*Primary Examiner*—Nelson C. Holtje  
*Assistant Examiner*—Jeffrey Asch  
*Attorney, Agent, or Firm*—Edward W. Callan

[\*\*] Term: **14 Years**

### [57] CLAIM

[21] Appl. No.: **386,491**

The ornamental design for a basket for carrying a computer or the like, as shown and described.

[22] Filed: **Jul. 26, 1989**

### DESCRIPTION

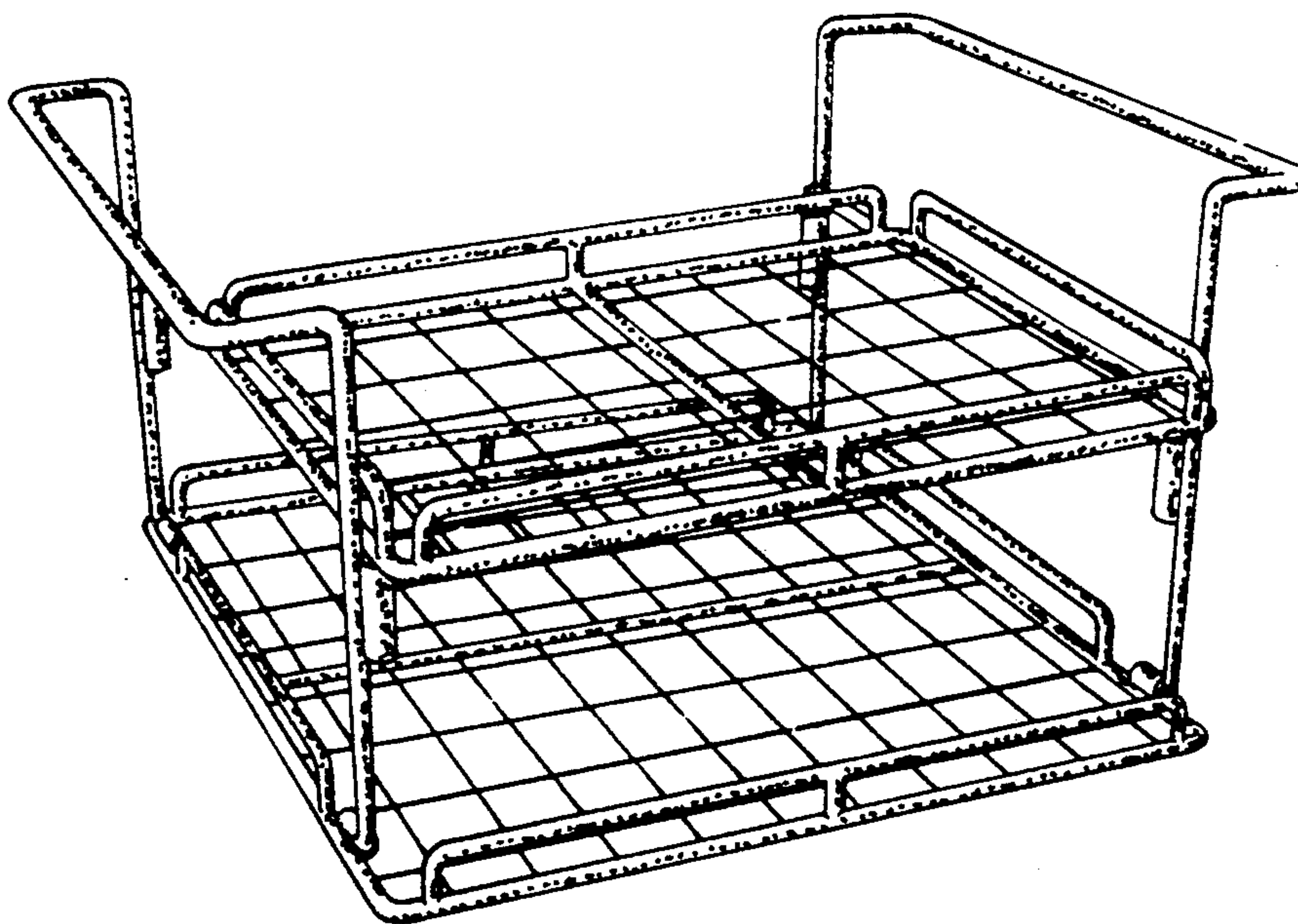
### [30] Foreign Application Priority Data

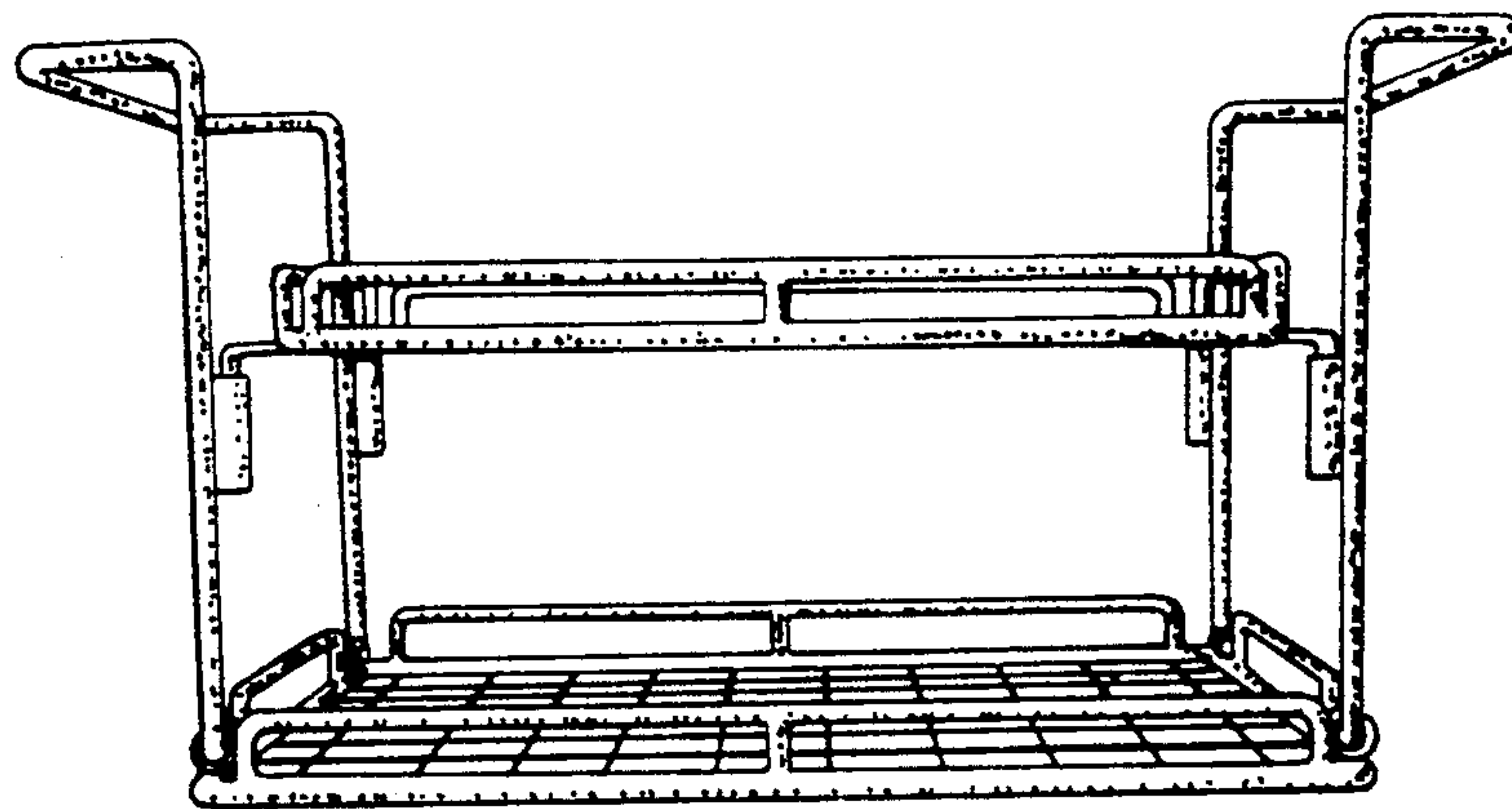
Feb. 1, 1989 [AU] Australia ..... 0280/89

[52] U.S. Cl. .... D34/42; D6/464; D6/465

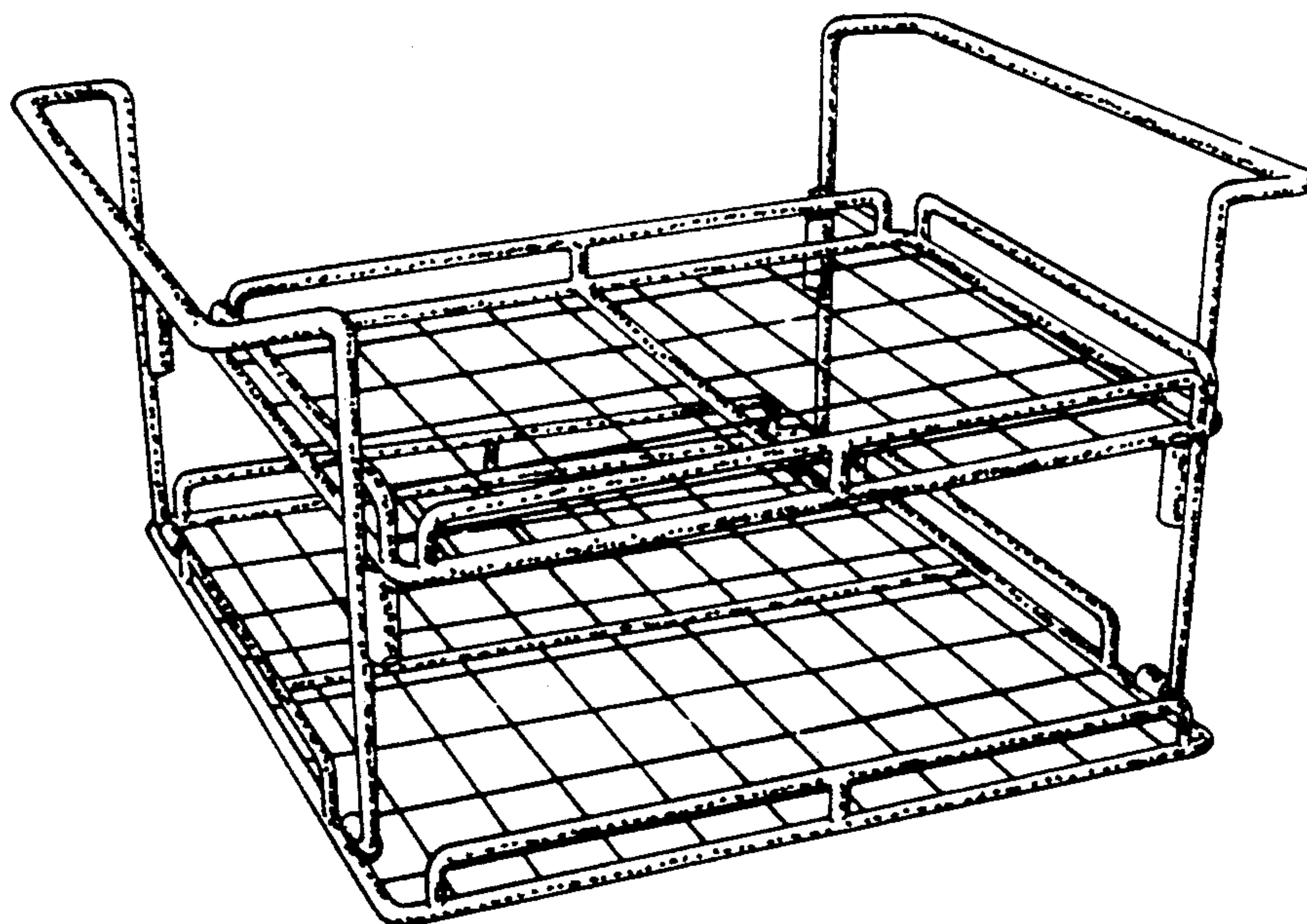
[58] Field of Search ..... D6/396, 397, 429-431, D6/449, 457, 462-465; D34/28, 42, 43; 108/129; 211/181; 220/19; 206/513

FIG. 1 is a front perspective view of a basket for carrying a computer or the like showing my new design; FIG. 2 is a front, top, and left side perspective view; FIG. 3 is a bottom perspective view; and, FIG. 4 is a top plan view thereof.

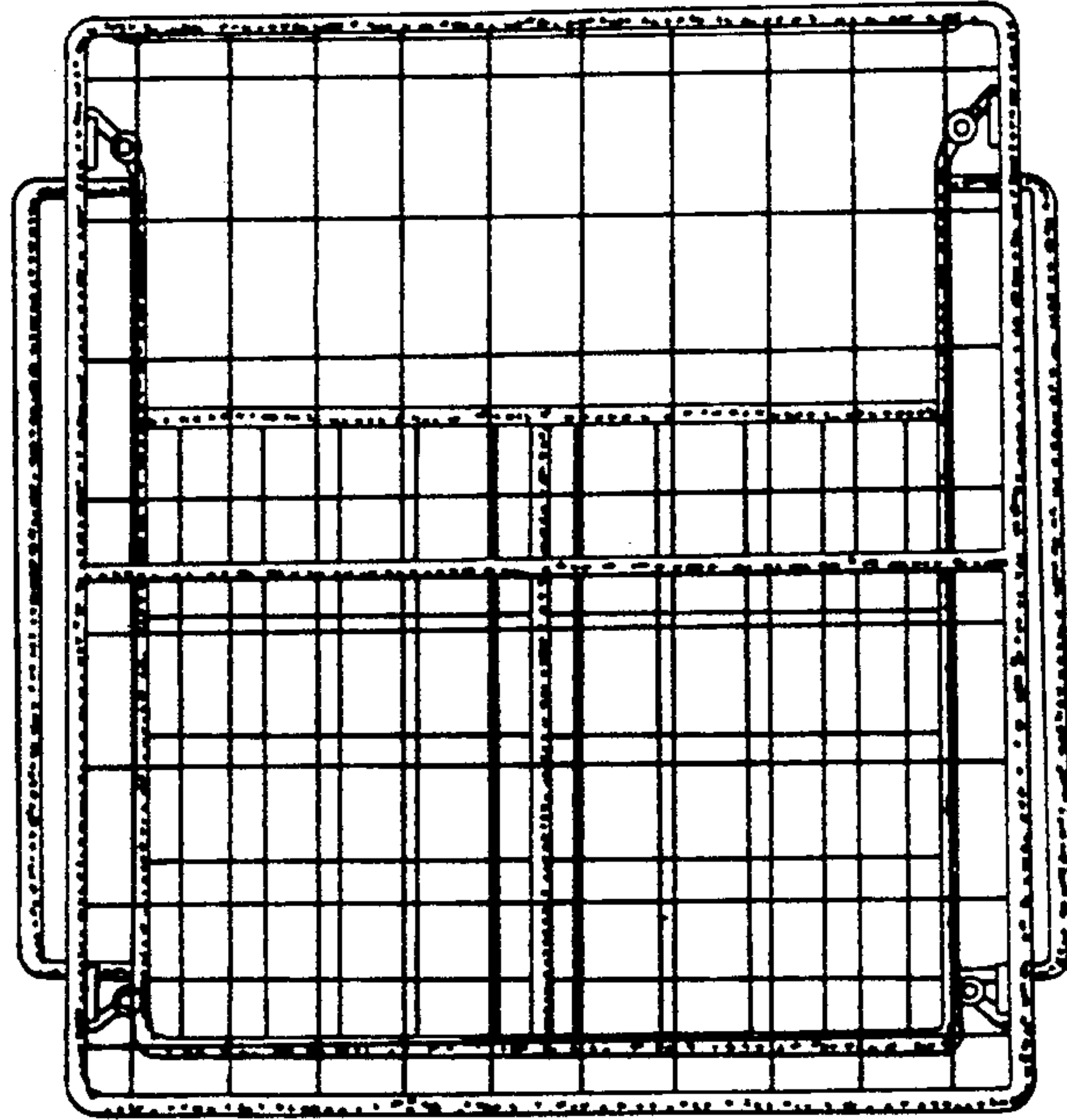




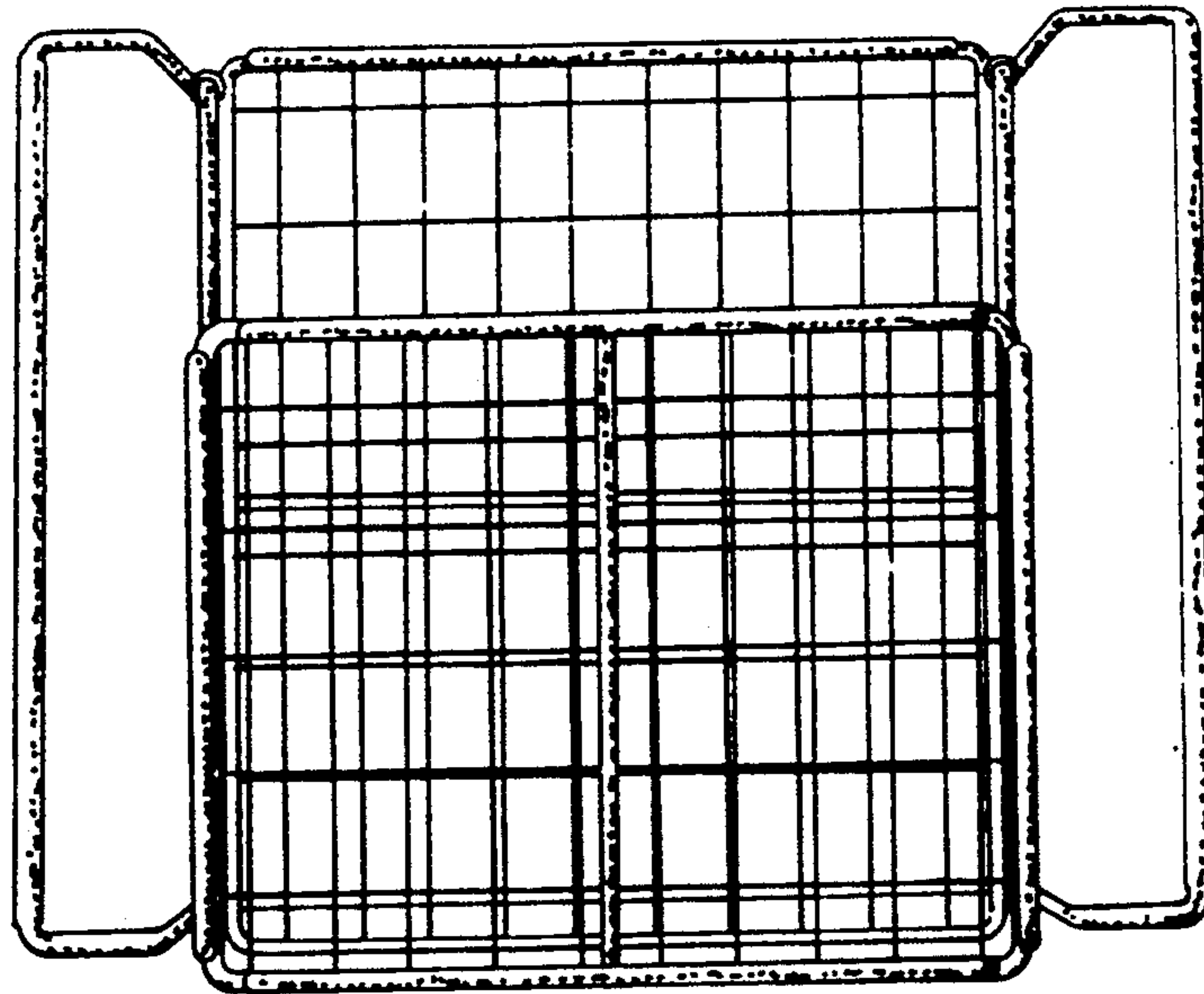
**FIG 1**



**FIG 2**



**FIG 3**



**FIG 4**