



US00D326930S

United States Patent [19]

Mauro

[11] Patent Number: **Des. 326,930**

[45] Date of Patent: **** Jun. 9, 1992**

[54] **DRY SHAVER**

[75] Inventor: **Charles L. Mauro, East Haddam, Conn.**

[73] Assignee: **U.S. Philips Corporation, New York, N.Y.**

[**] Term: **14 Years**

[21] Appl. No.: **551,837**

[22] Filed: **Jul. 10, 1990**

[30] **Foreign Application Priority Data**

Jan. 18, 1990 [WO] World Int. Prop. O. ... DM/016.587

[52] U.S. Cl. **D28/50**

[58] Field of Search **D28/44, 49-54; 30/32, 34.05, 34.1, 34.2, 41, 42, 43, 43.1-43.92, 44, 45, 85-90**

[56] **References Cited**

U.S. PATENT DOCUMENTS

- D. 114,060 4/1939 Florman D28/50
- D. 116,332 8/1939 Andrews D28/50
- D. 231,809 6/1974 Fujishima D28/50
- D. 282,979 3/1986 Nagelkerke et al. D28/50

- D. 284,224 6/1986 Izumi D28/50
- D. 291,372 8/1987 Oord et al. D28/50
- D. 295,564 5/1988 Iwai D28/49
- D. 297,772 9/1988 Izumi D28/50
- 2,166,025 7/1939 Schwarz 30/43.6 X
- 2,229,972 1/1941 Holsclaw 30/43.6

FOREIGN PATENT DOCUMENTS

- 39610 of 1955 Poland 30/43.6

Primary Examiner—Bernard Ansher

Assistant Examiner—C. Tuttle

Attorney, Agent, or Firm—Jack E. Haken

[57] **CLAIM**

The ornamental design for a dry shaver, as shown.

DESCRIPTION

FIG. 1 is a perspective view of a dry shaver showing my new design;

FIG. 2 is a front elevational view thereof;

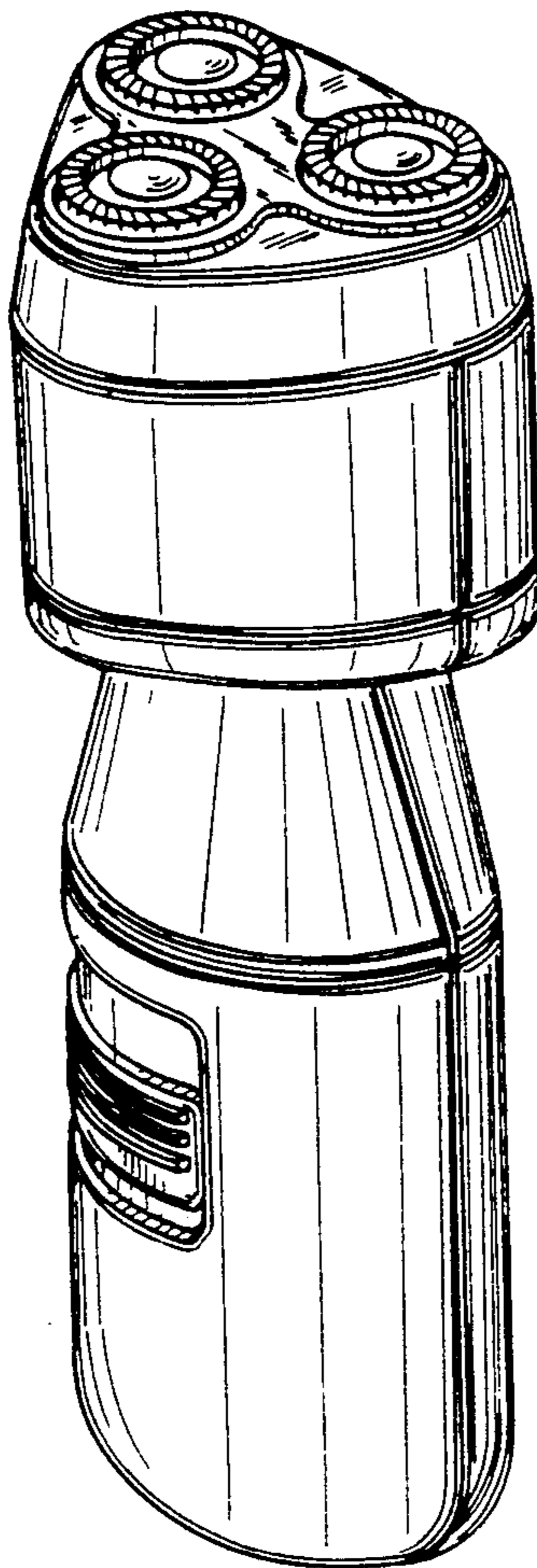
FIG. 3 is a rear elevational view thereof;

FIG. 4 is a right side elevational view thereof;

FIG. 5 is a left side elevational view thereof;

FIG. 6 is a top plan view thereof; and,

FIG. 7 is a bottom plan view thereof.



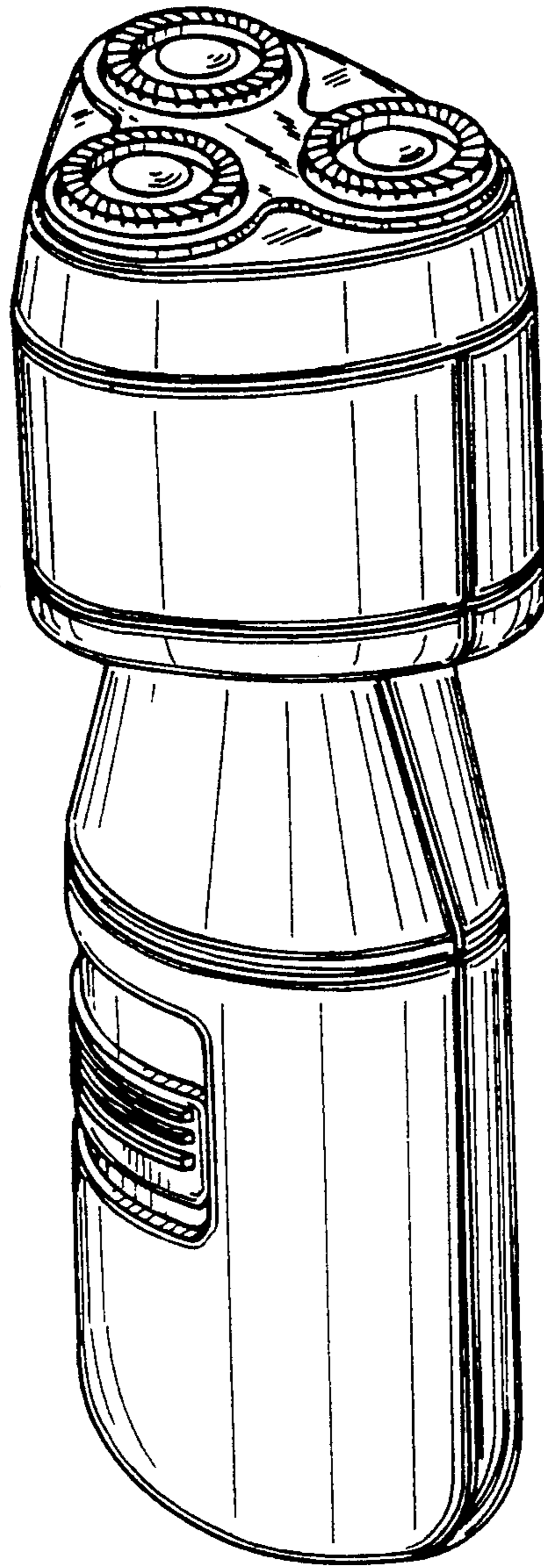


FIG. 1

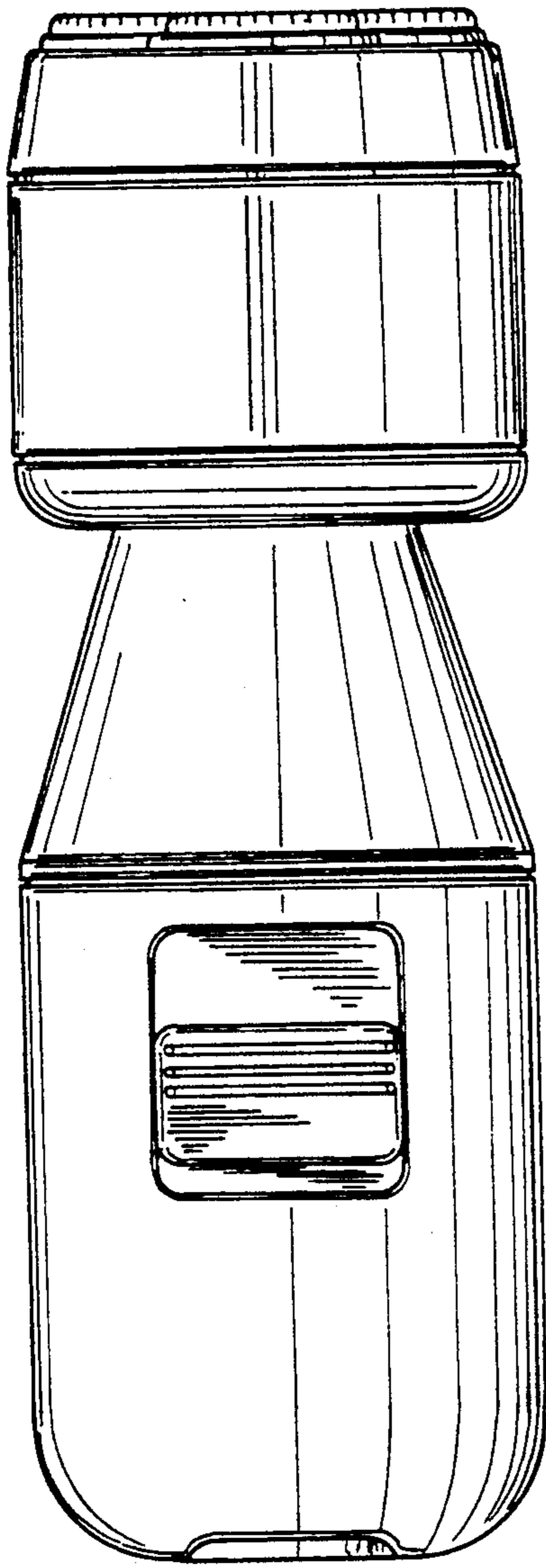


FIG. 2

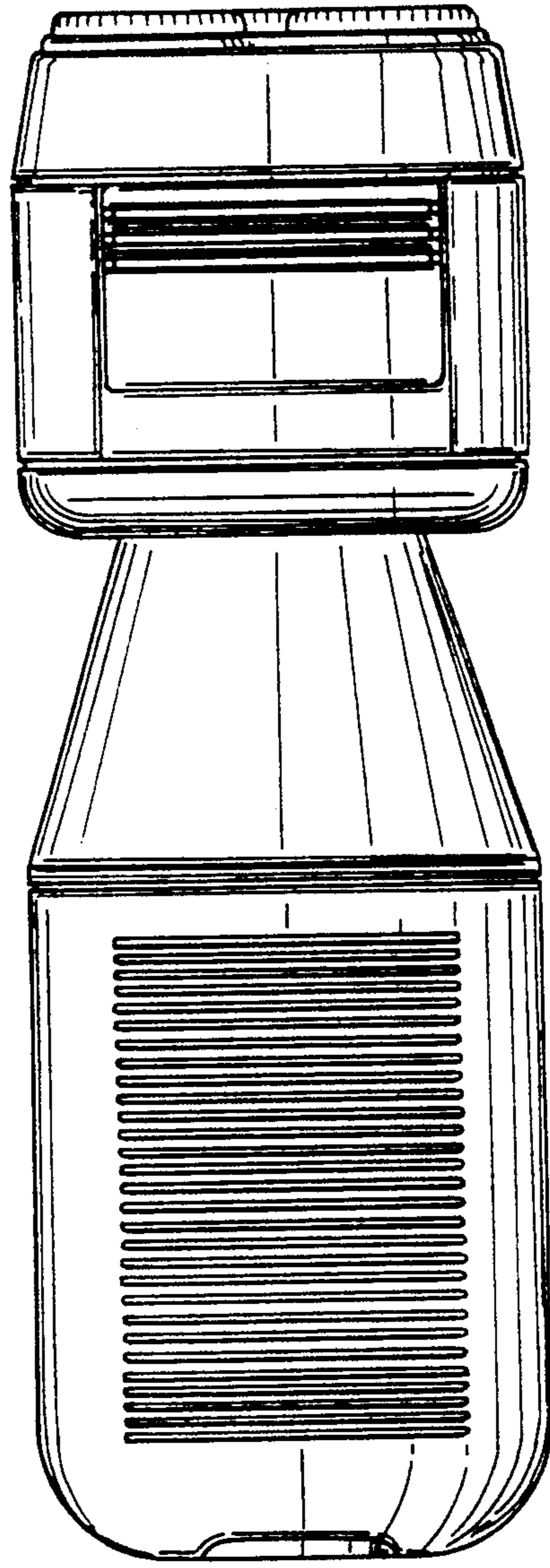


FIG. 3

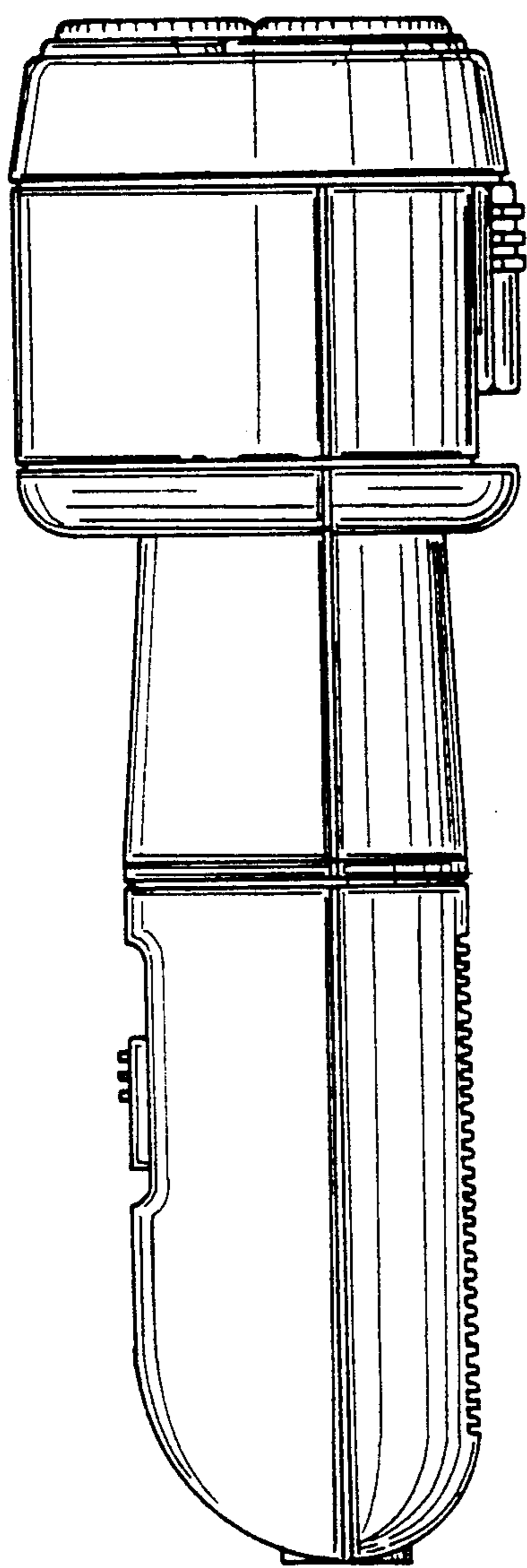


FIG. 4

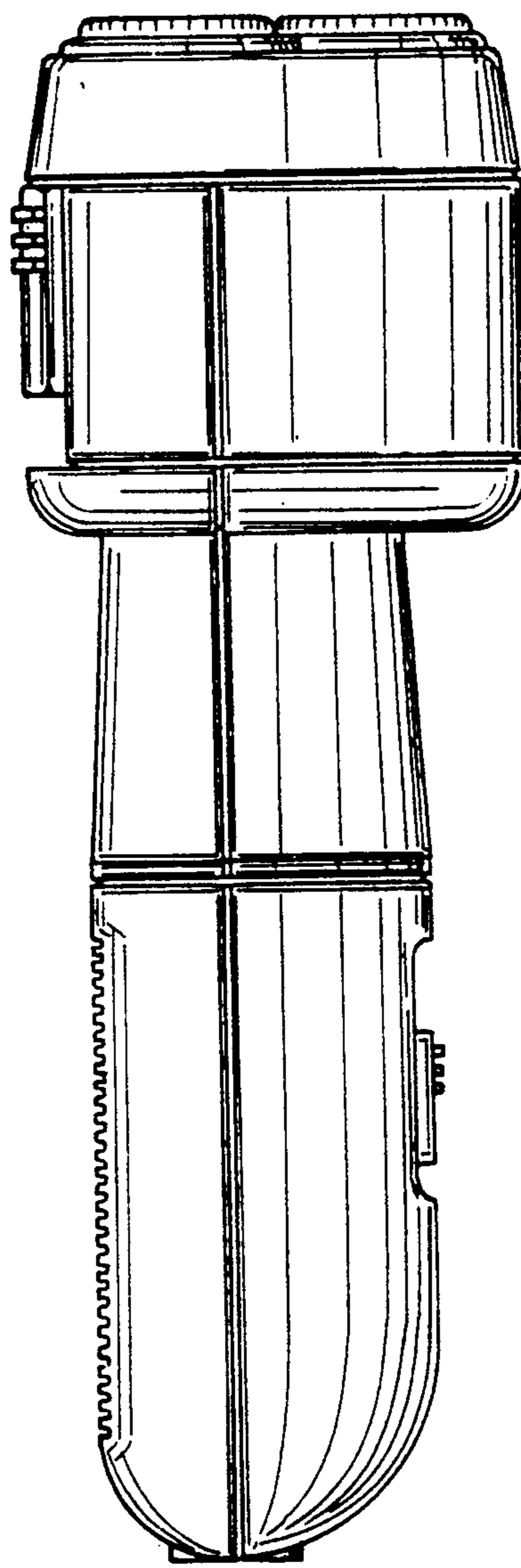


FIG. 5

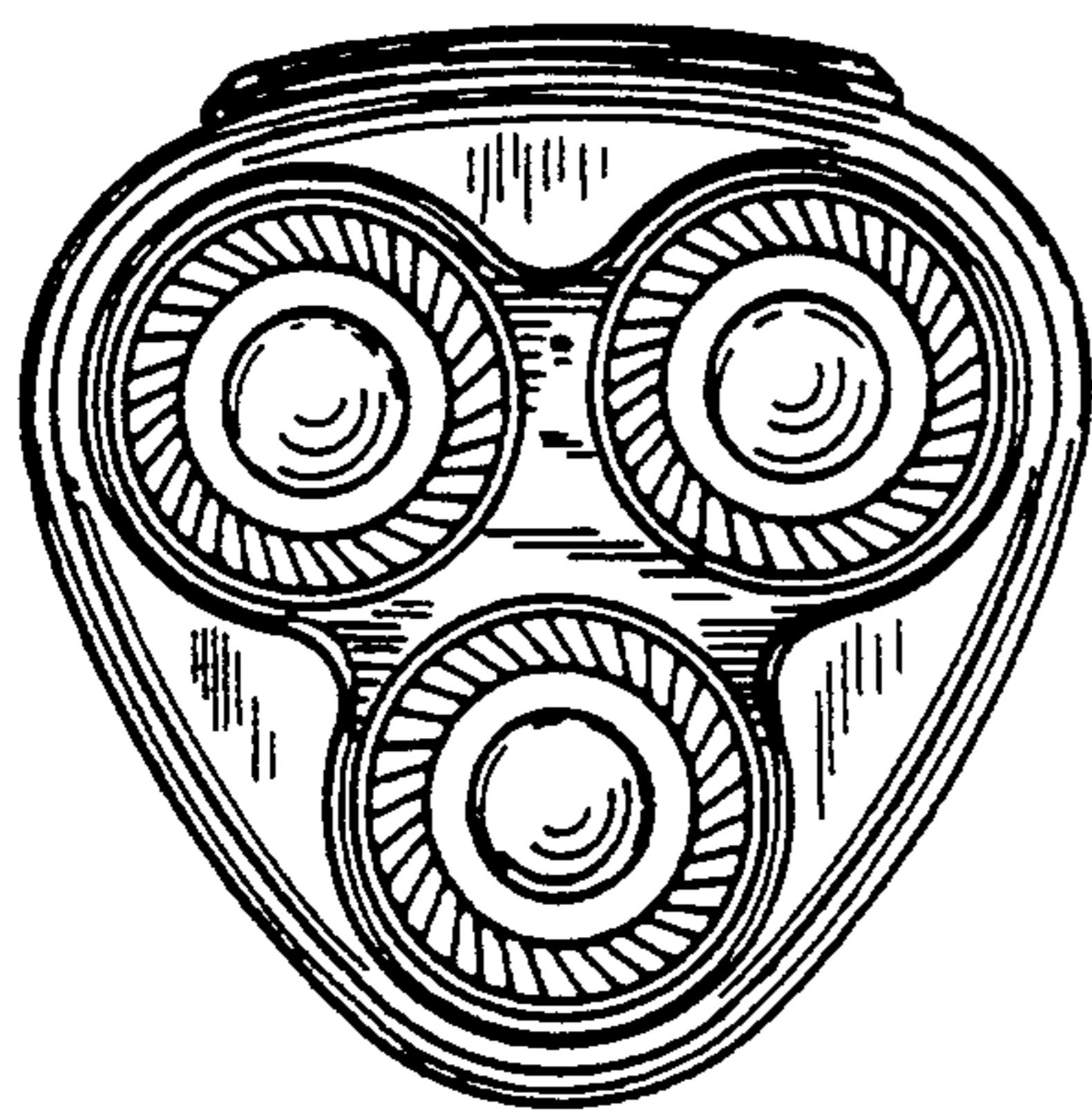


FIG. 6

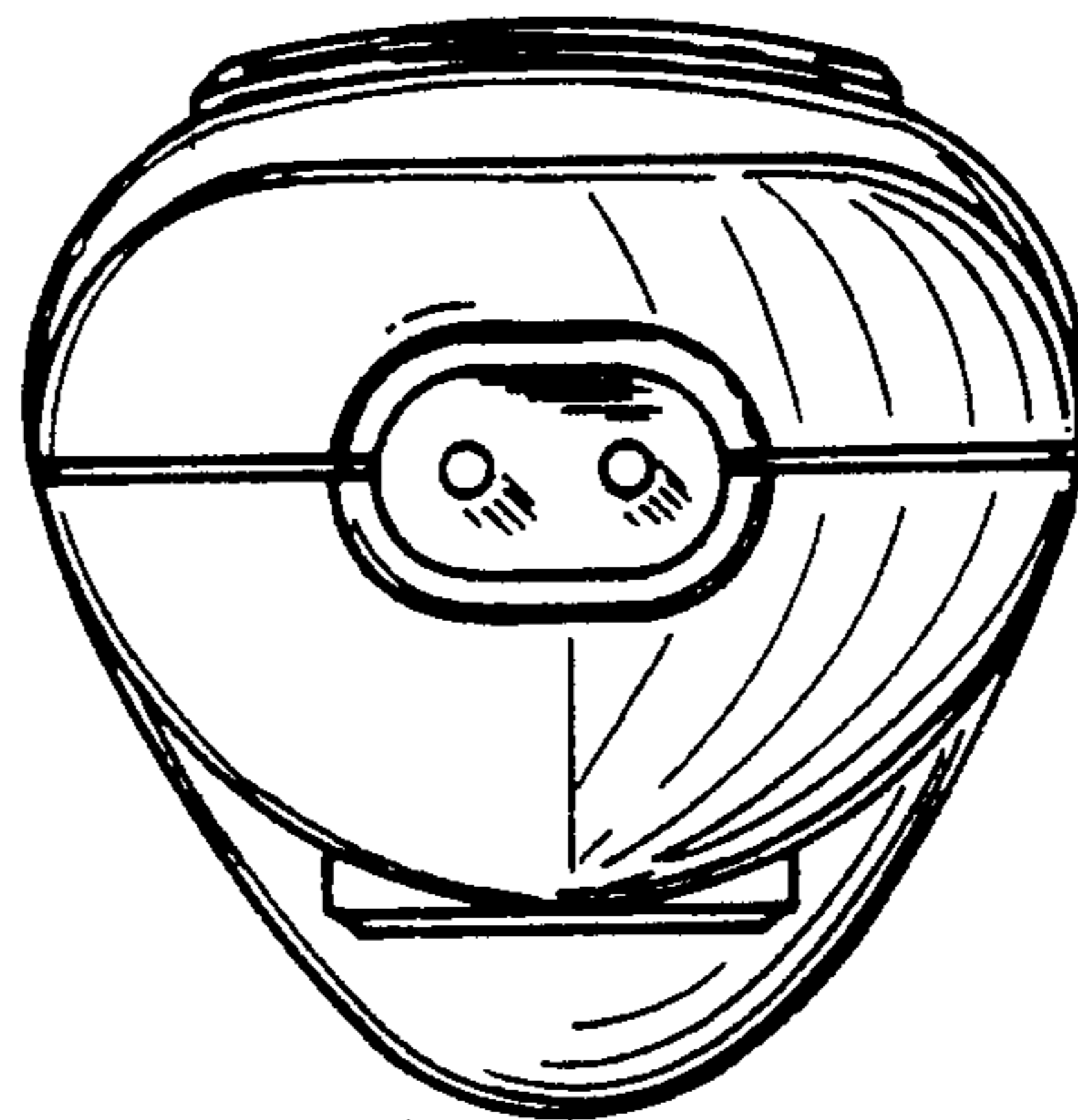


FIG. 7