



US00D326927S

United States Patent [19]

[11] Patent Number: **Des. 326,927**

Catalina

[45] Date of Patent: **** Jun. 9, 1992**

[54] **BATTERY HOLDER FOR A FLASHLIGHT**

Primary Examiner—Susan J. Lucas
Attorney, Agent, or Firm—Abdallah & Muckelroy

[76] Inventor: **Nicholas A. Catalina**, 406
McClintock St., New Britain, Conn.
06053

[57] **CLAIM**

[**] Term: **14 Years**

The ornamental design for a battery holder for a flashlight, as shown and described.

[21] Appl. No.: **570,719**

DESCRIPTION

[22] Filed: **Aug. 22, 1990**

[52] U.S. Cl. **D26/138; D8/395;**
D8/396

[58] **Field of Search** D26/37-50,
D26/138, 140; 362/157, 158, 183-208, 396;
248/205.1, 205.5, 206.2, 236, 237, 225.31, 208,
106, 314, 300, 316.1, 316.7, 229, 230, 231

FIG. 1 is a right front perspective view of a battery holder for a flashlight showing my new design; FIG. 2 is a right side elevational view thereof on an enlarged scale, the left side being a mirror image; FIG. 3 is a front elevational view thereof on an enlarged scale, the rear being a mirror image; FIG. 4 is a top plan view thereof on an enlarged scale; and, FIG. 5 is a bottom plan view thereof on an enlarged scale.

[56] **References Cited**

U.S. PATENT DOCUMENTS

1,282,511	10/1918	Williams et al.	24/339 X
2,007,203	7/1935	Kraet	362/157
2,191,782	2/1940	Valane	248/229

The flashlight is shown in broken lines in FIG. 1 for illustrative purposes only and is not part of the claimed design.

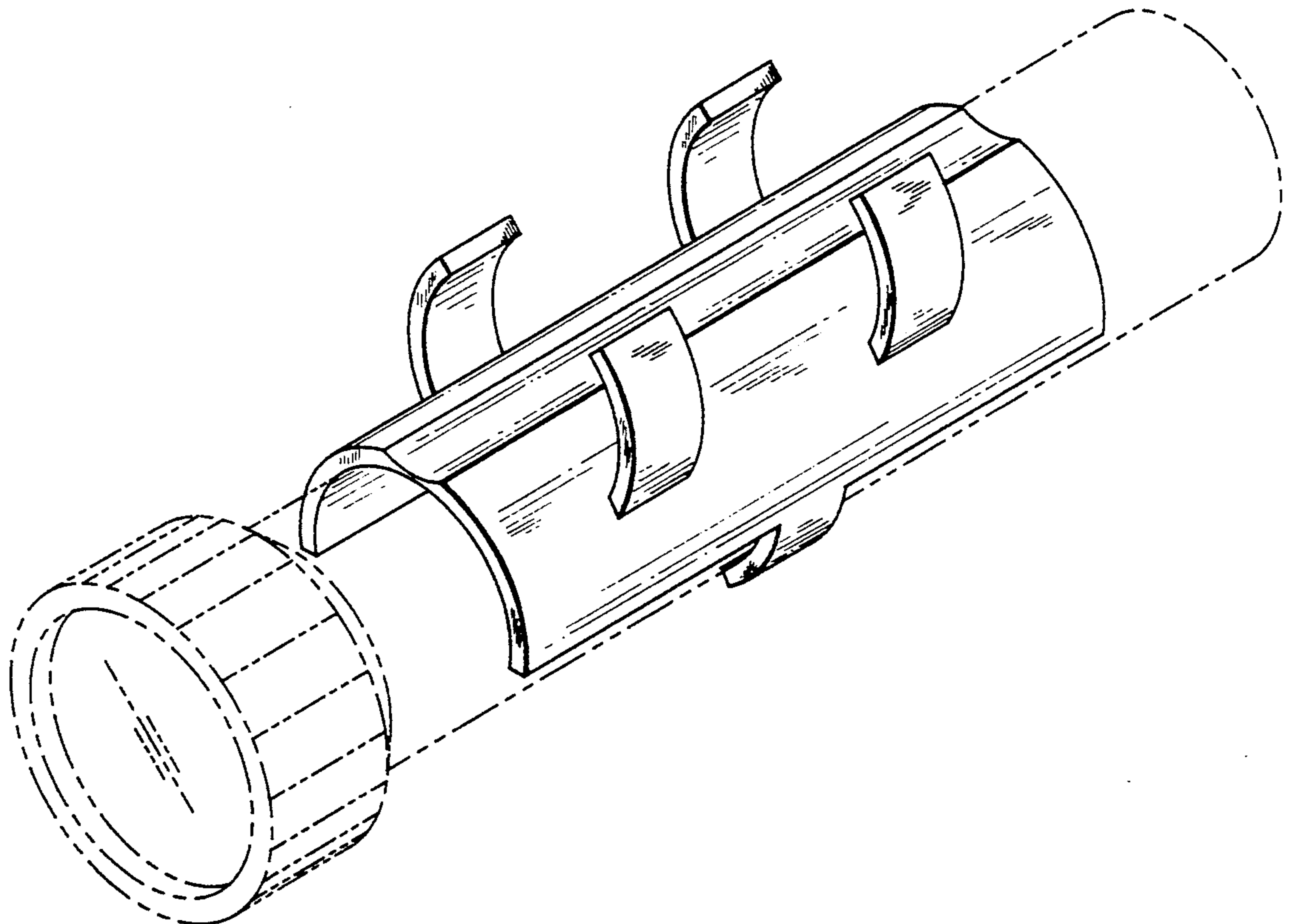


FIG. 1

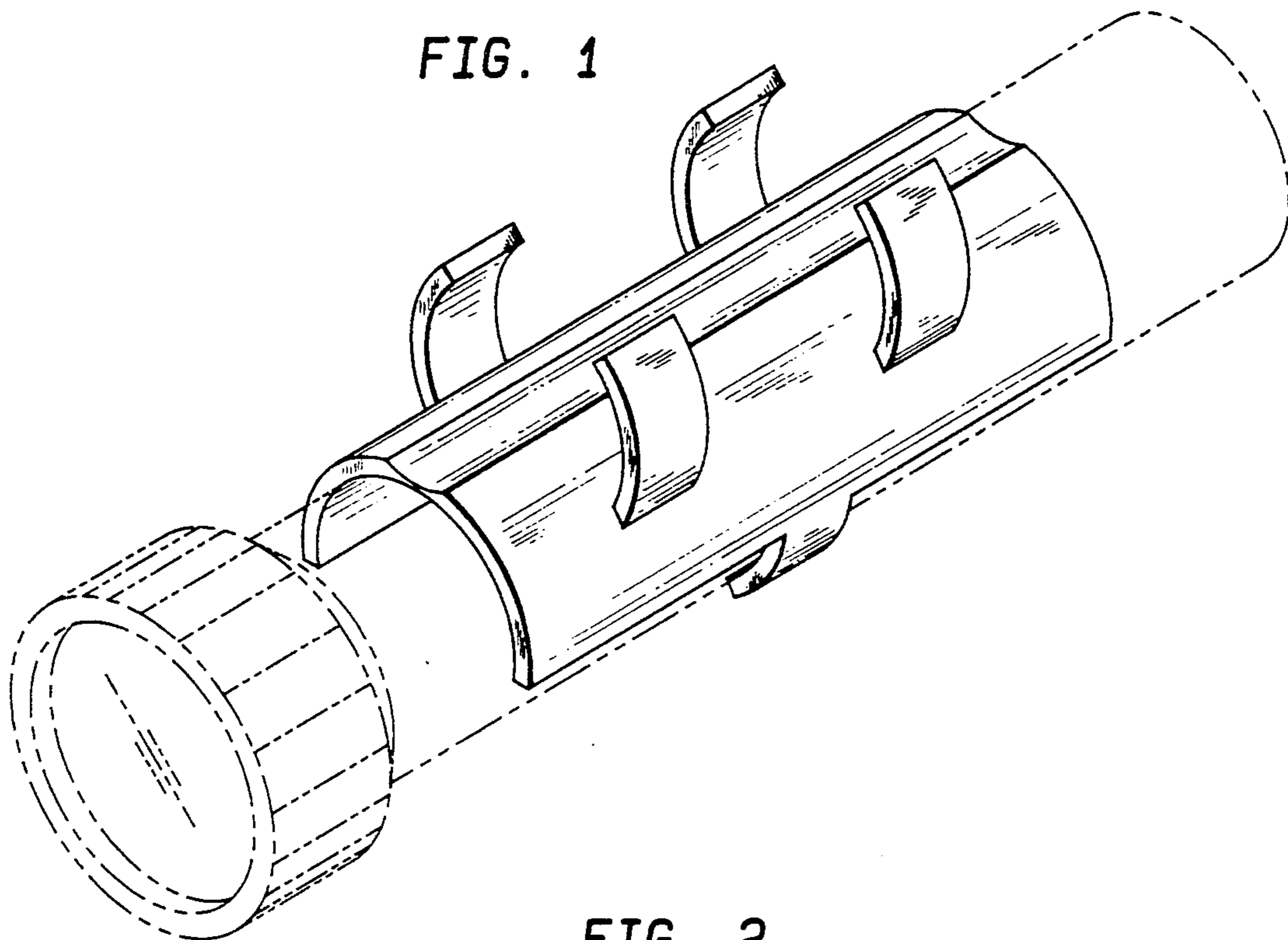


FIG. 2

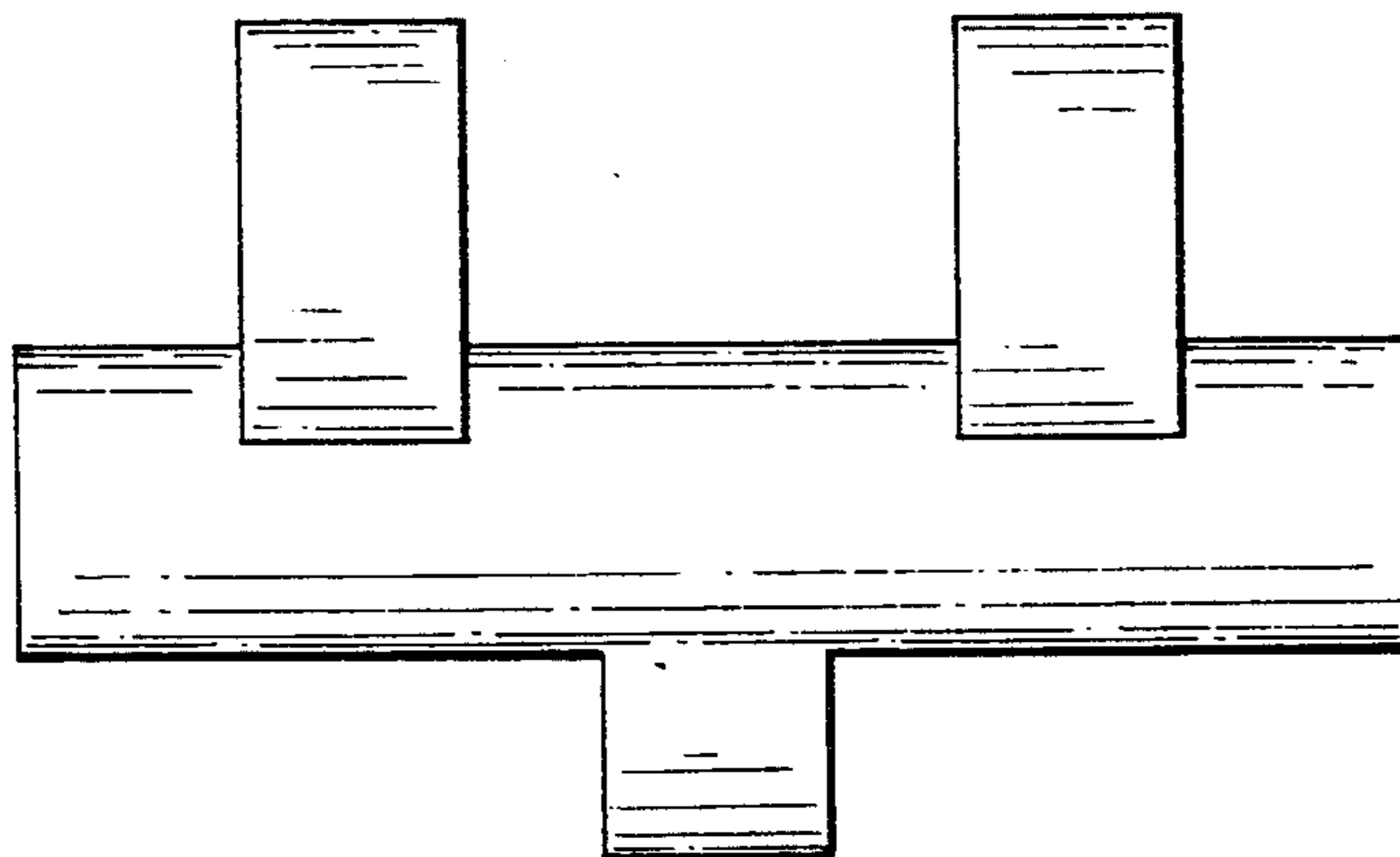


FIG. 3

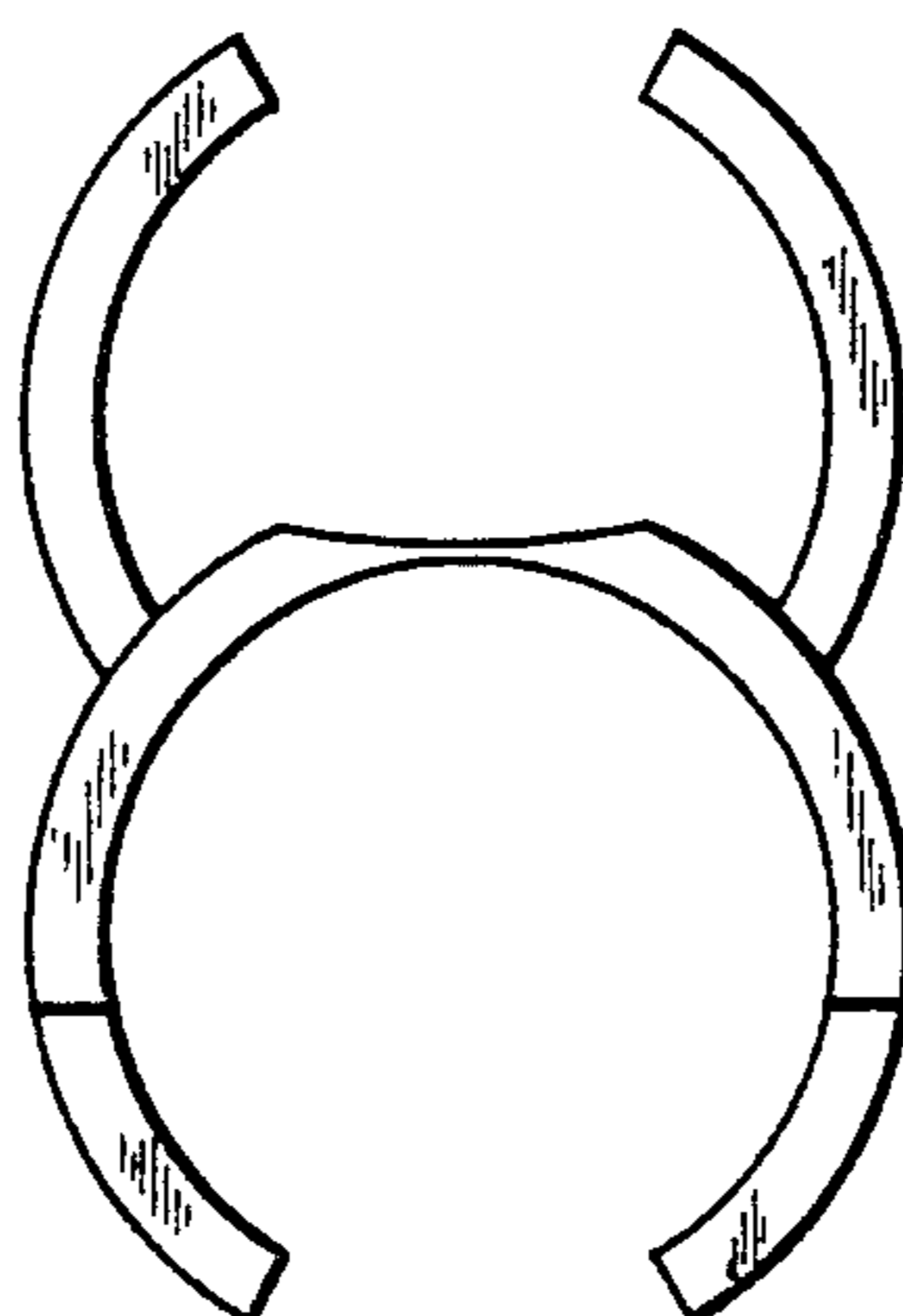


FIG. 4

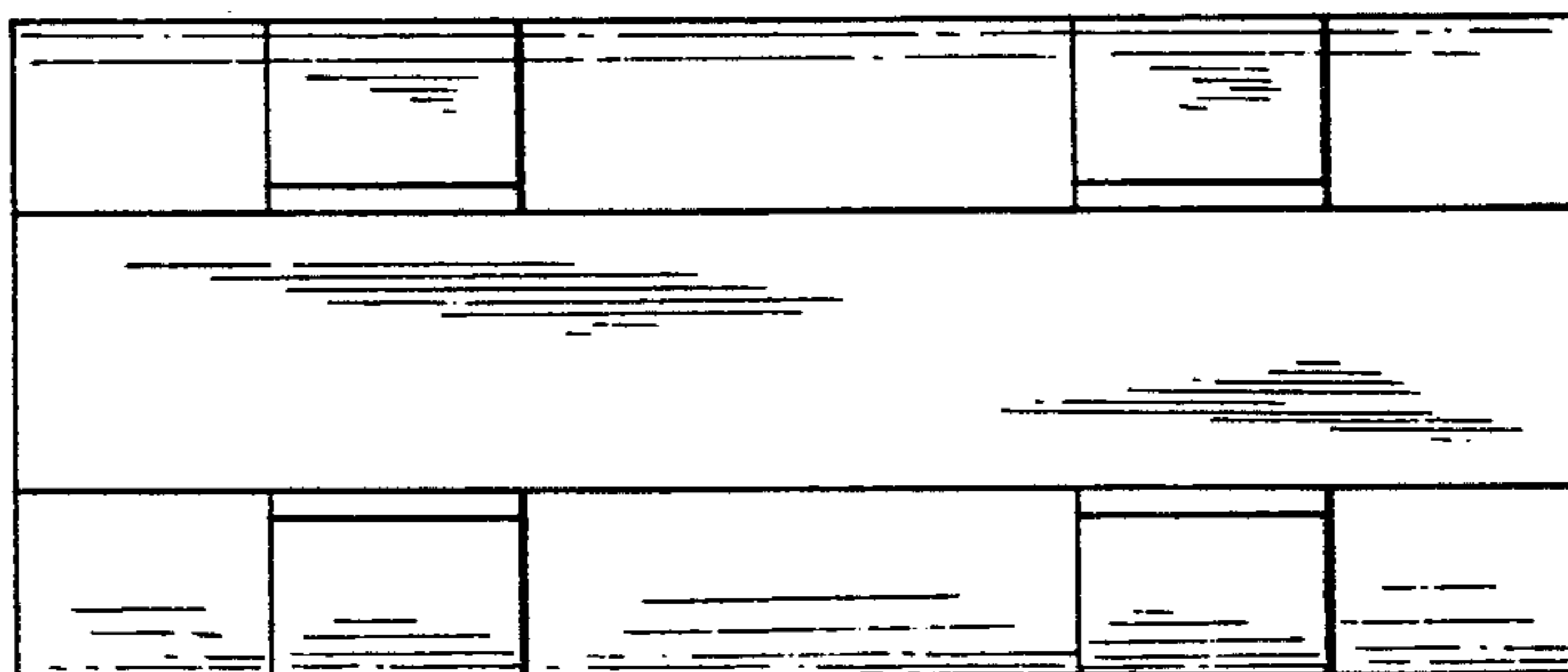


FIG. 5

