



US00D326921S

United States Patent [19]

[11] Patent Number: **Des. 326,921**

Hölbl

[45] Date of Patent: **** Jun. 9, 1992**

[54] ROTATION MICROTOME

[75] Inventor: **Werner Hölbl**, Vienna, Austria

[73] Assignee: **Leica Instruments GmbH**, Nussloch, Fed. Rep. of Germany

[**] Term: **14 Years**

[21] Appl. No.: **509,614**

[22] Filed: **Apr. 16, 1990**

[30] Foreign Application Priority Data

Oct. 18, 1989 [DE] Fed. Rep. of Germany 8907365.7

[52] U.S. Cl. **D24/216**

[58] Field of Search D24/216; 83/915.5, 856

[56] References Cited

U.S. PATENT DOCUMENTS

D. 96,231 7/1935 Fassin D24/216

3,091,144	5/1963	Villalubus	83/915.5 X
3,191,476	6/1965	McCormick	83/915.5 X
3,212,379	10/1965	McCormick et al.	D24/216 X
4,317,401	3/1982	Disharoon	83/915.5 X

Primary Examiner—Stella Reid
Attorney, Agent, or Firm—Bean, Kauffman & Spencer

[57] CLAIM

The ornamental design for a rotation microtome, as shown.

DESCRIPTION

FIG. 1 is a front elevational view of a rotation microtome showing my new design;

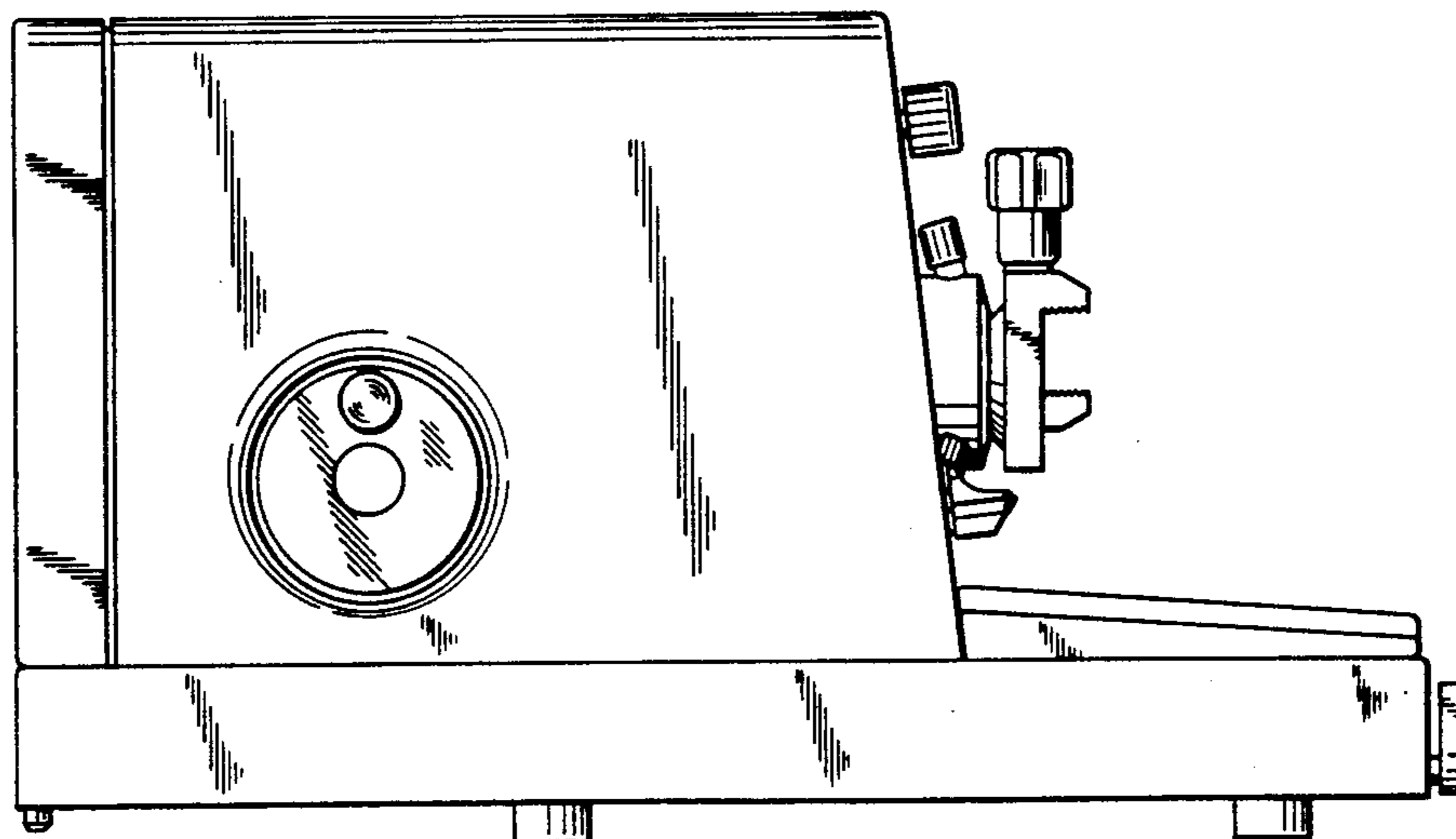
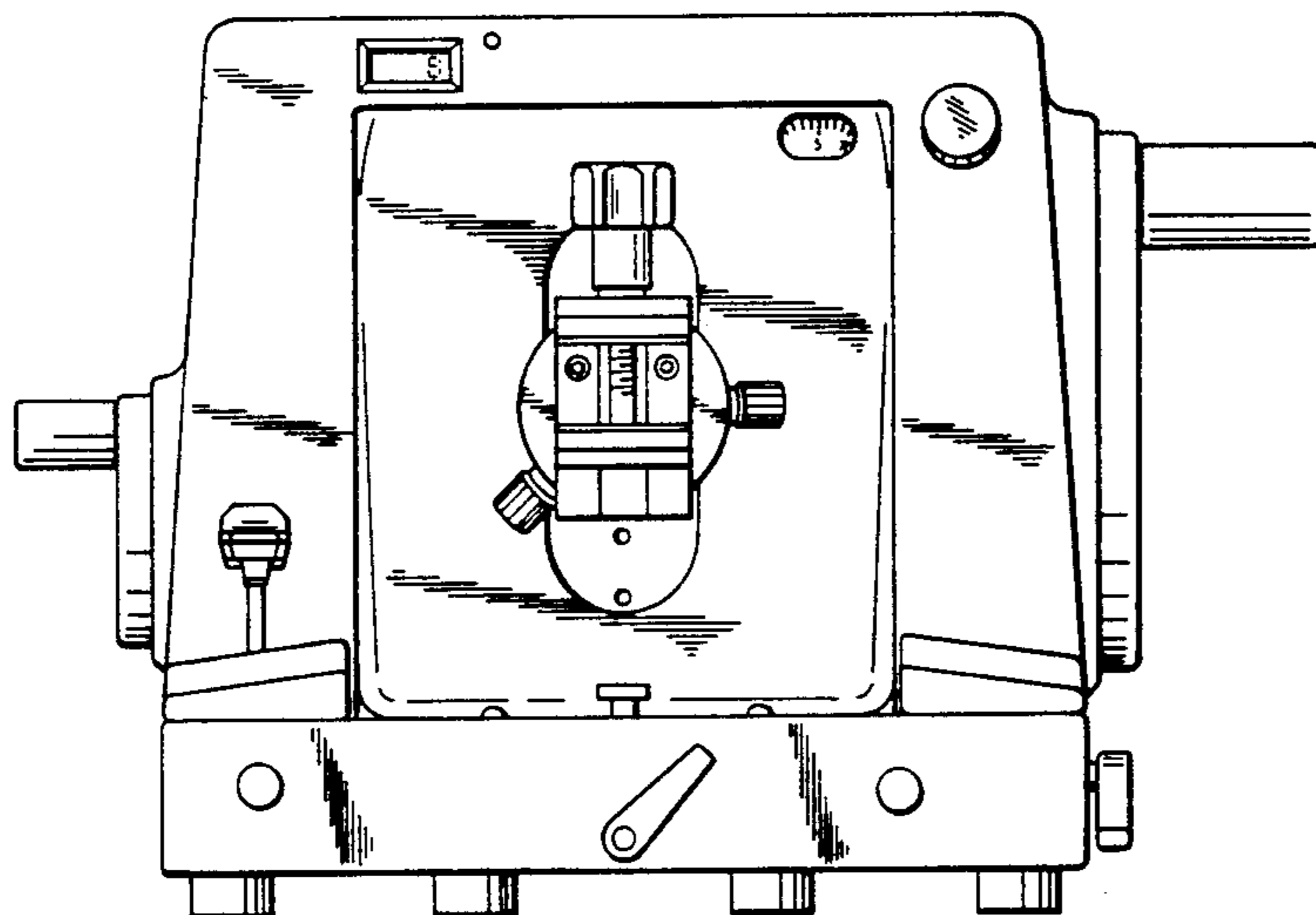
FIG. 2 is a left side elevational view of FIG. 1;

FIG. 3 is a right side elevational view of FIG. 1;

FIG. 4 is a top plan view of FIG. 1; and,

FIG. 5 is a rear elevational view of FIG. 1.

The bottom of the article is substantially plain and unornamented.



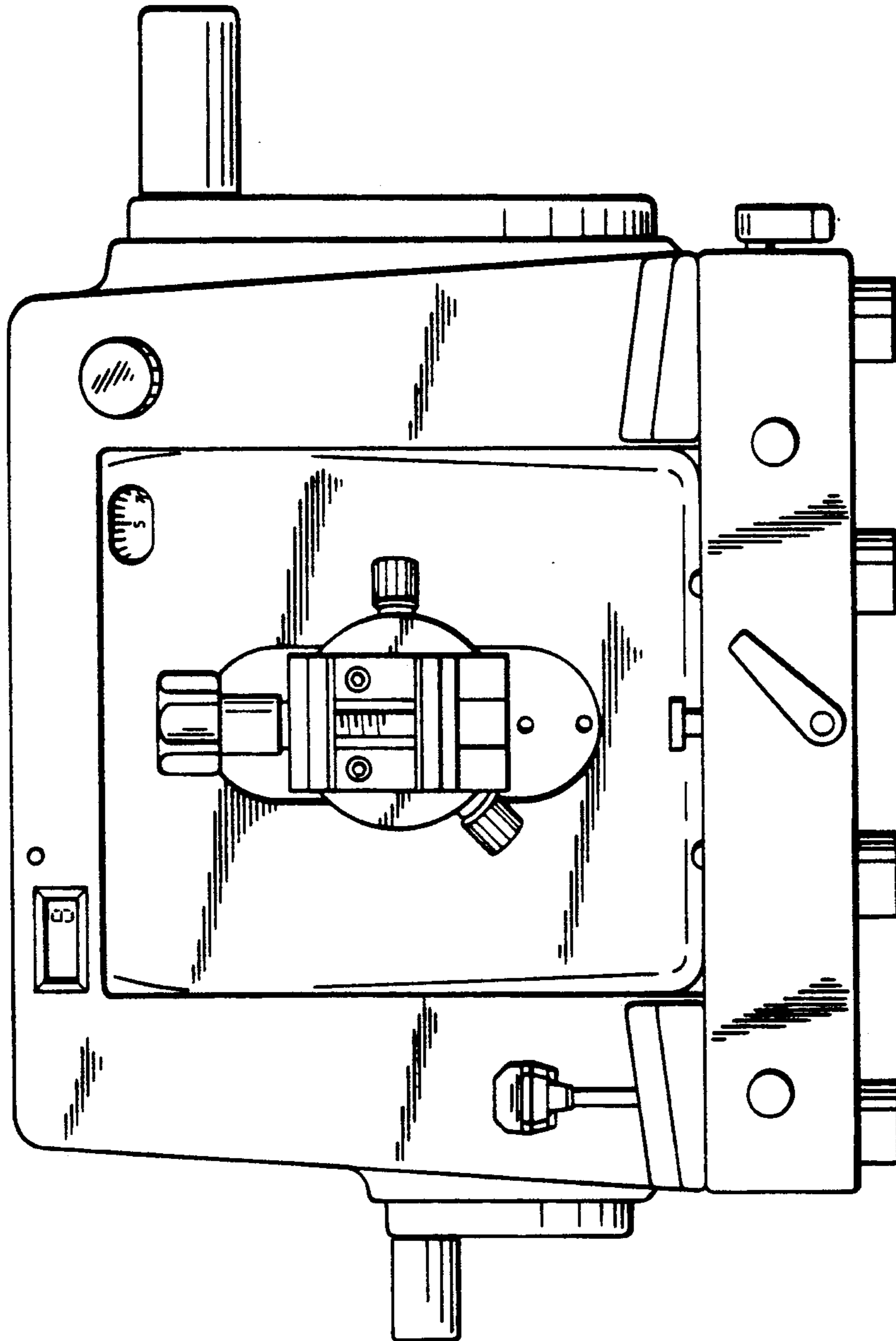
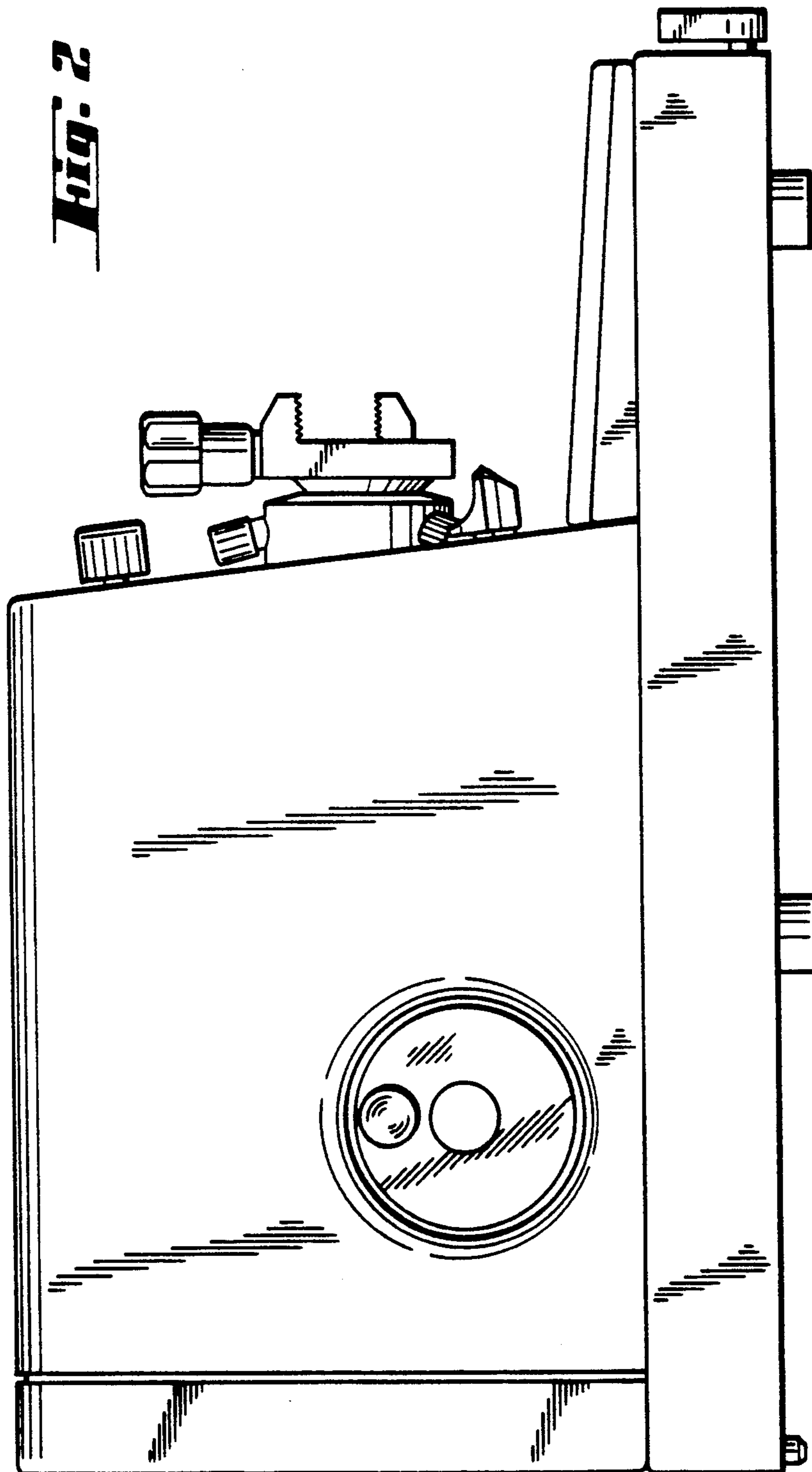
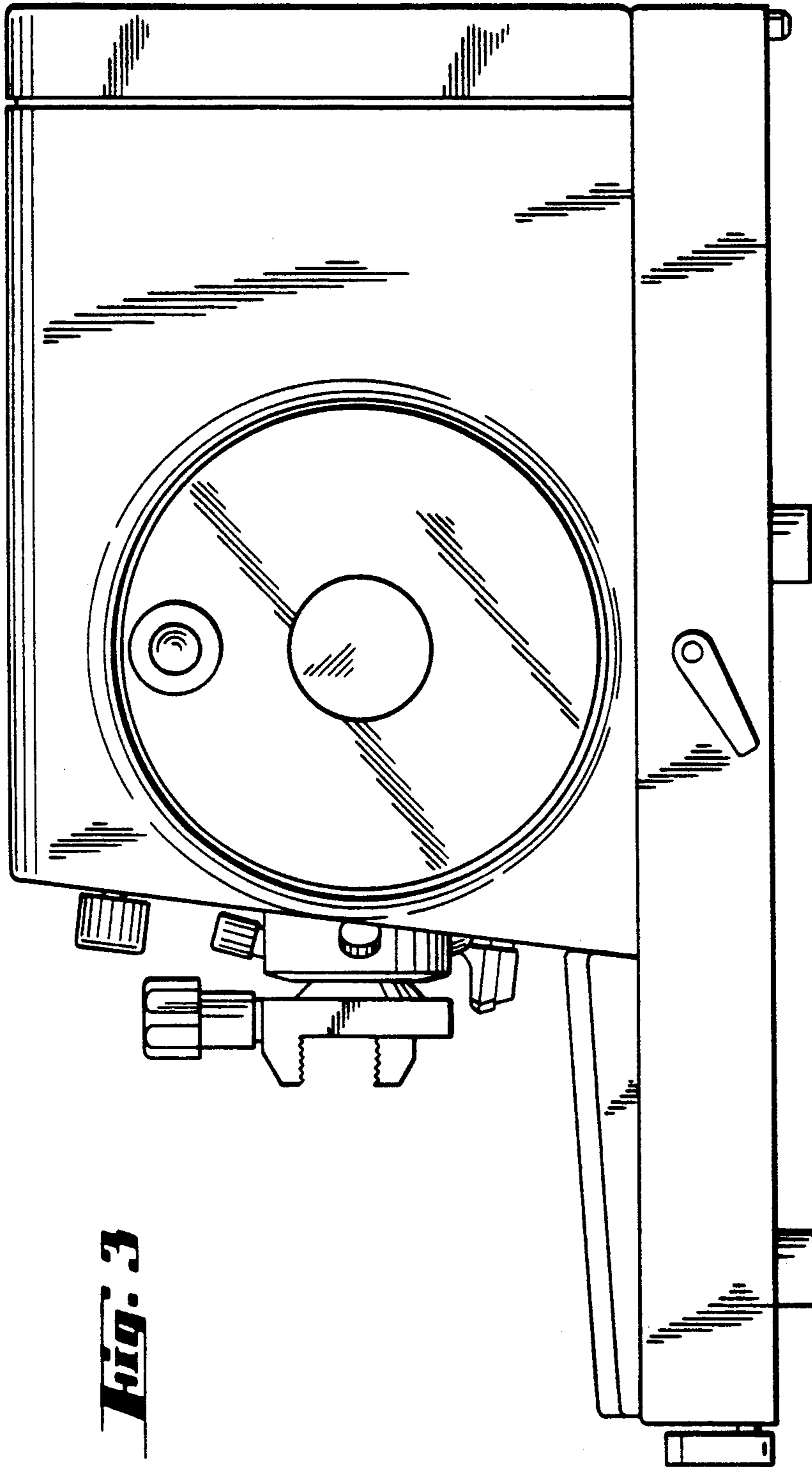


Fig. 1

Fig. 2





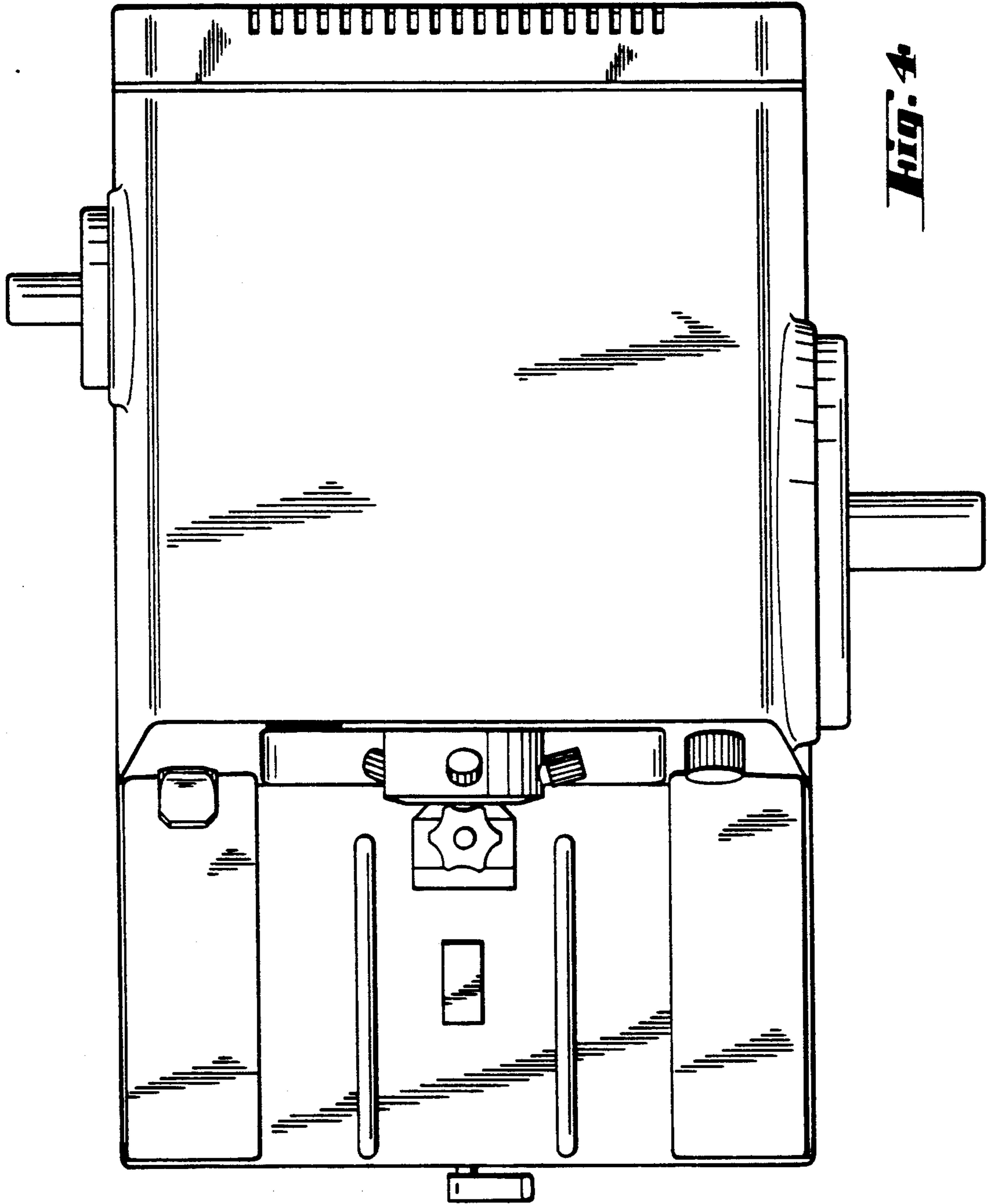


Fig. 4

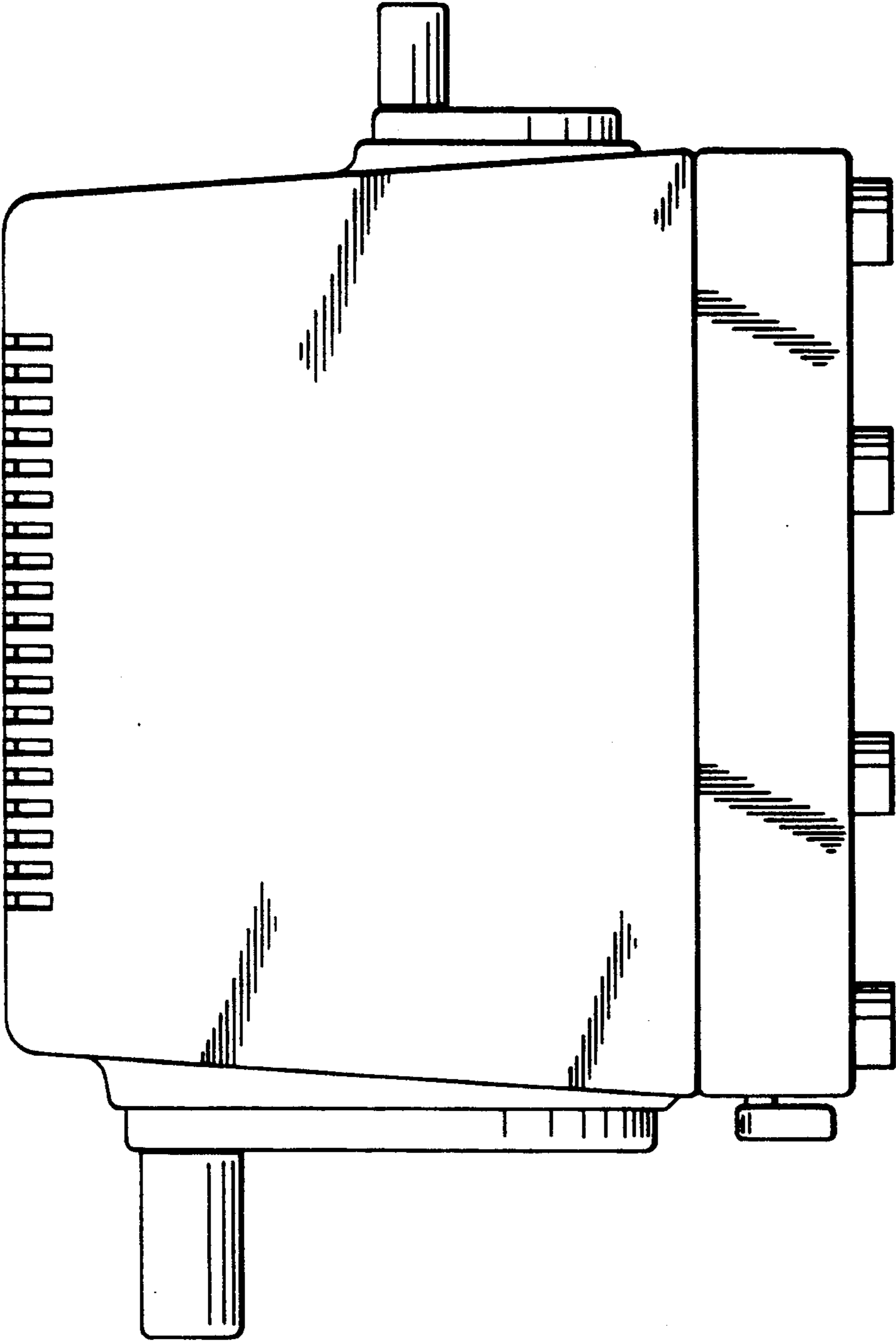


FIG. 5