



US00D326920S

United States Patent [19]

Ridolfo

[11] Patent Number: **Des. 326,920**

[45] Date of Patent: **** Jun. 9, 1992**

[54] **FACIAL TONING MACHINE**

[75] Inventor: **Rodney Ridolfo, Montville, N.J.**

[73] Assignee: **Acutone, Inc., Roseland, N.J.**

[**] Term: **14 Years**

[21] Appl. No.: **464,768**

[22] Filed: **Jan. 16, 1990**

[52] U.S. Cl. **D24/200**

[58] Field of Search **D28/8, 61, 99; D24/200, D24/214; 128/419 R, 420, 421, 422, 423**

4,594,565 6/1986 Barreras 128/422 X
4,653,474 3/1987 Reithler 128/419 R X

FOREIGN PATENT DOCUMENTS

3006797 9/1980 Fed. Rep. of Germany ... 128/420 R

Primary Examiner—Bernard Ansher

Assistant Examiner—C. Tuttle

Attorney, Agent, or Firm—James & Franklin

[57] **CLAIM**

The ornamental design for a facial toning machine, as shown and described.

DESCRIPTION

FIG. 1 is an isometric view of a facial toning machine showing my new design from the top, front and right side;

FIG. 2 is an isometric view thereof, seen from the bottom, rear and left sides;

FIG. 3 is an isometric view shown with the cover element in a raised position; and,

FIG. 4 is a top plan view of the machine as shown in FIG. 3.

[56] **References Cited**

U.S. PATENT DOCUMENTS

D. 112,435	12/1938	Korengold	D24/170
D. 192,841	5/1962	Moss et al.	D24/200
D. 224,070	6/1972	Lopez	D24/170
D. 249,550	9/1978	Jankelson et al.	D24/200
D. 273,328	4/1984	Hastings et al.	D28/61 X
D. 282,486	2/1986	Kirsch	D24/200
D. 298,455	11/1988	Glove	D24/200 X
4,014,323	3/1977	Gilmer et al.	D24/200 X

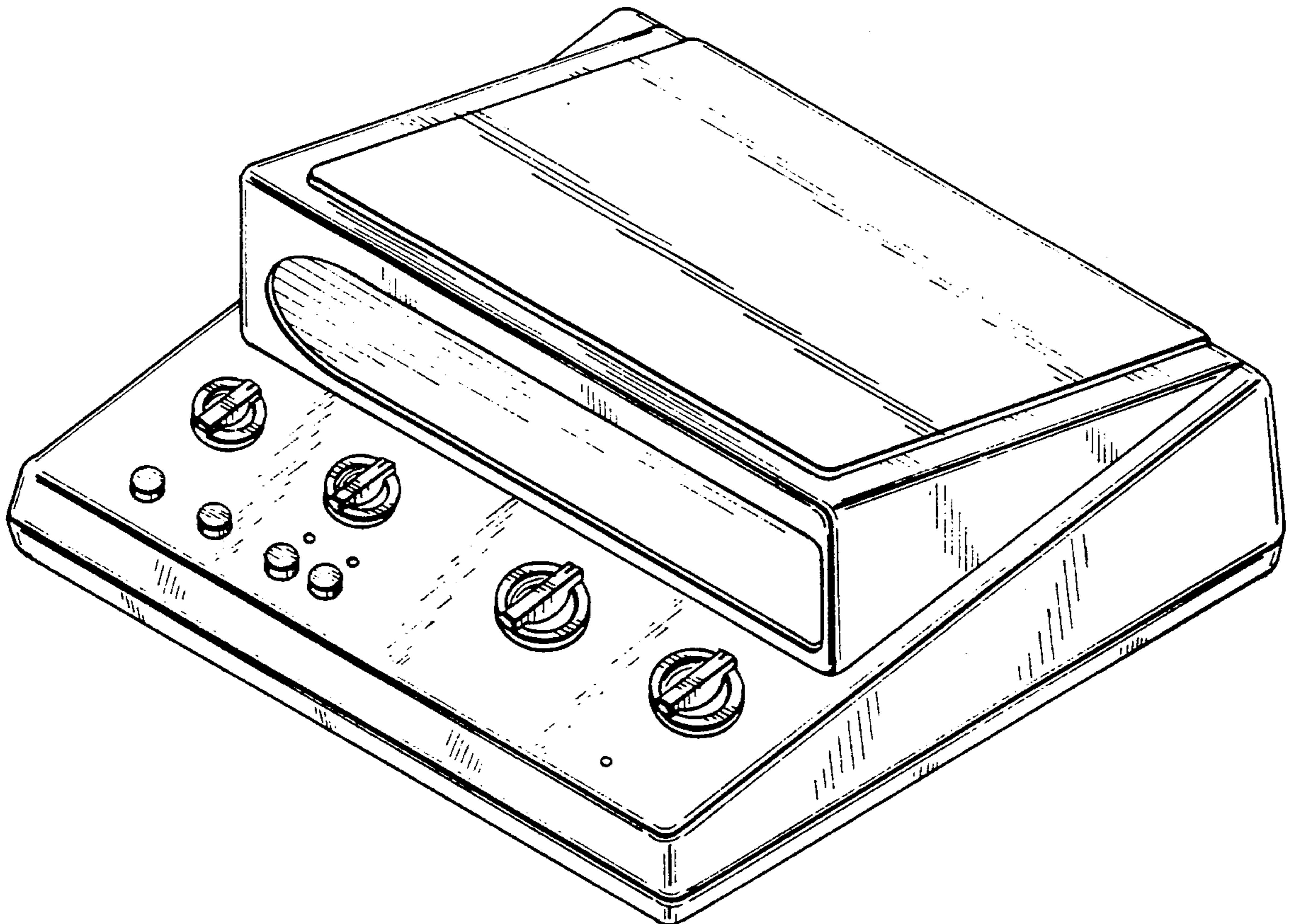


FIG. 1

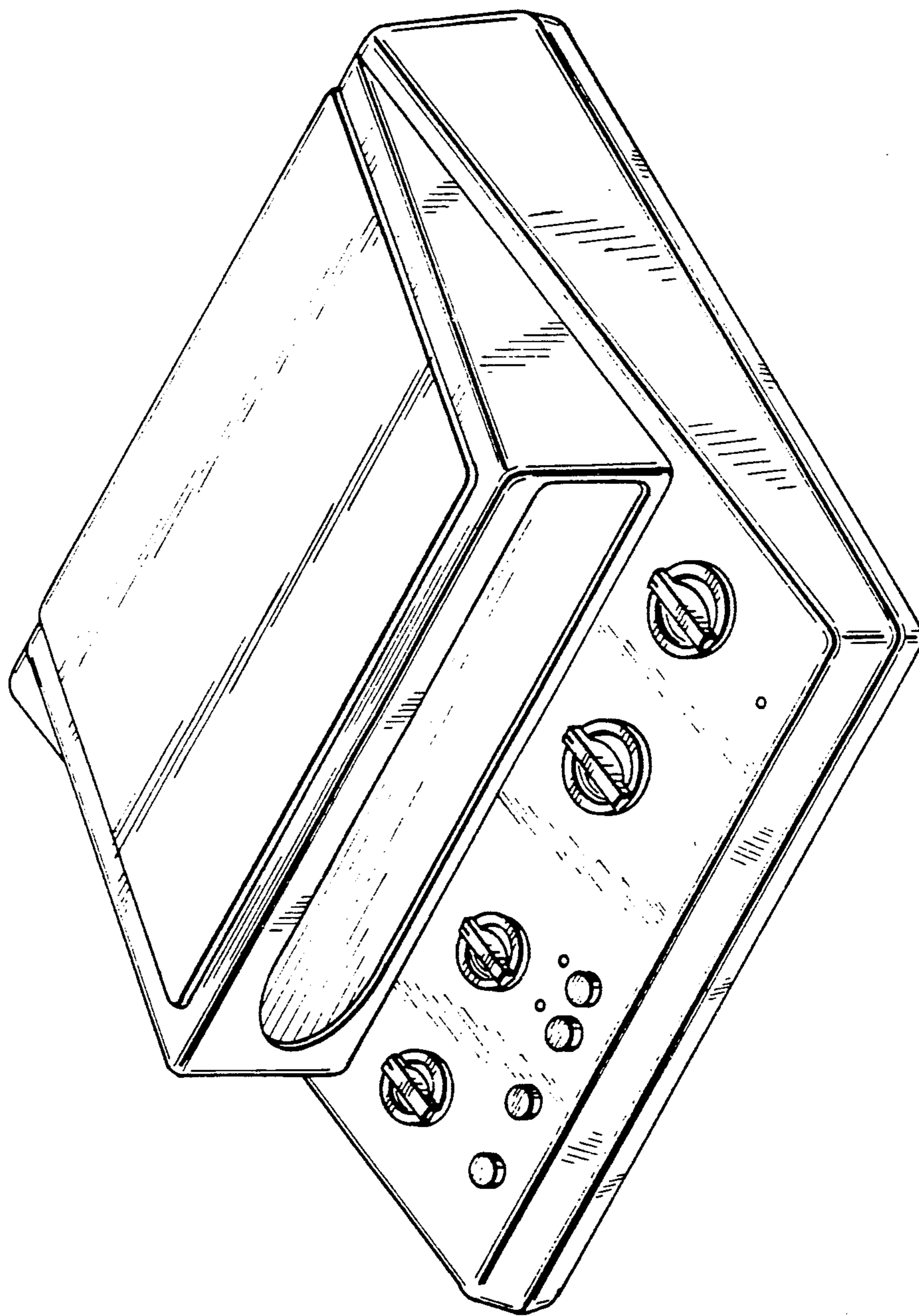
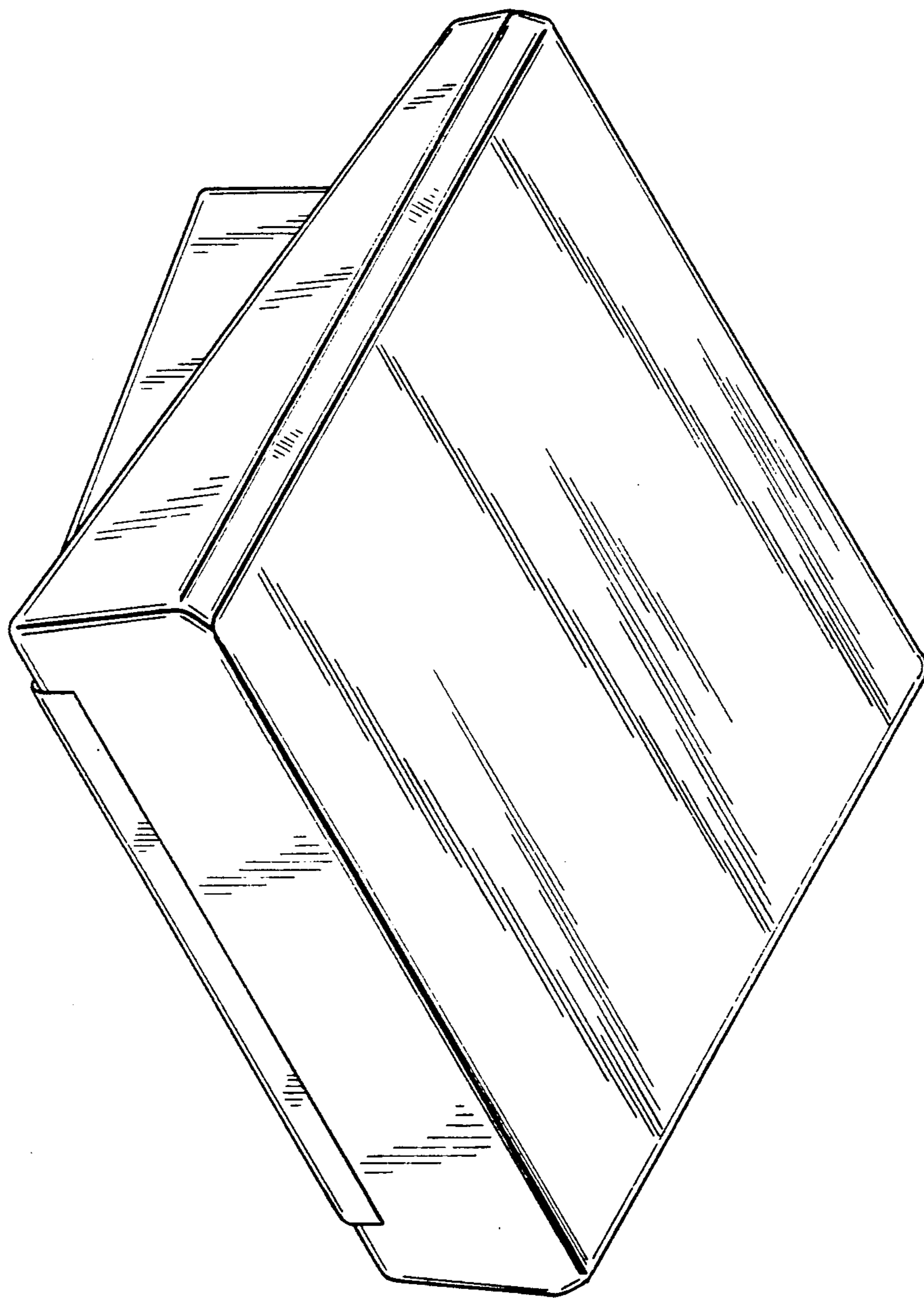


FIG. 2



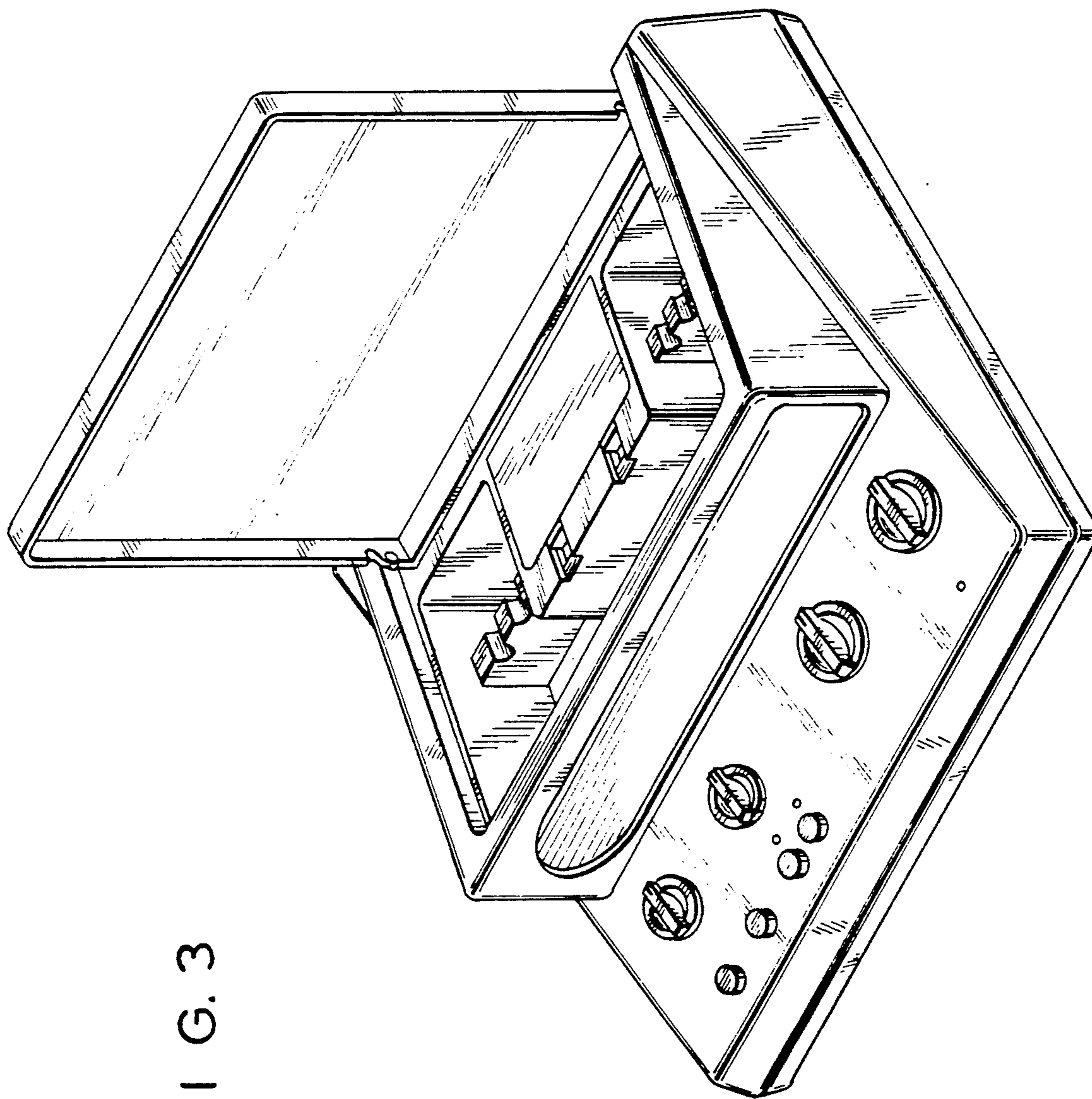


FIG. 3

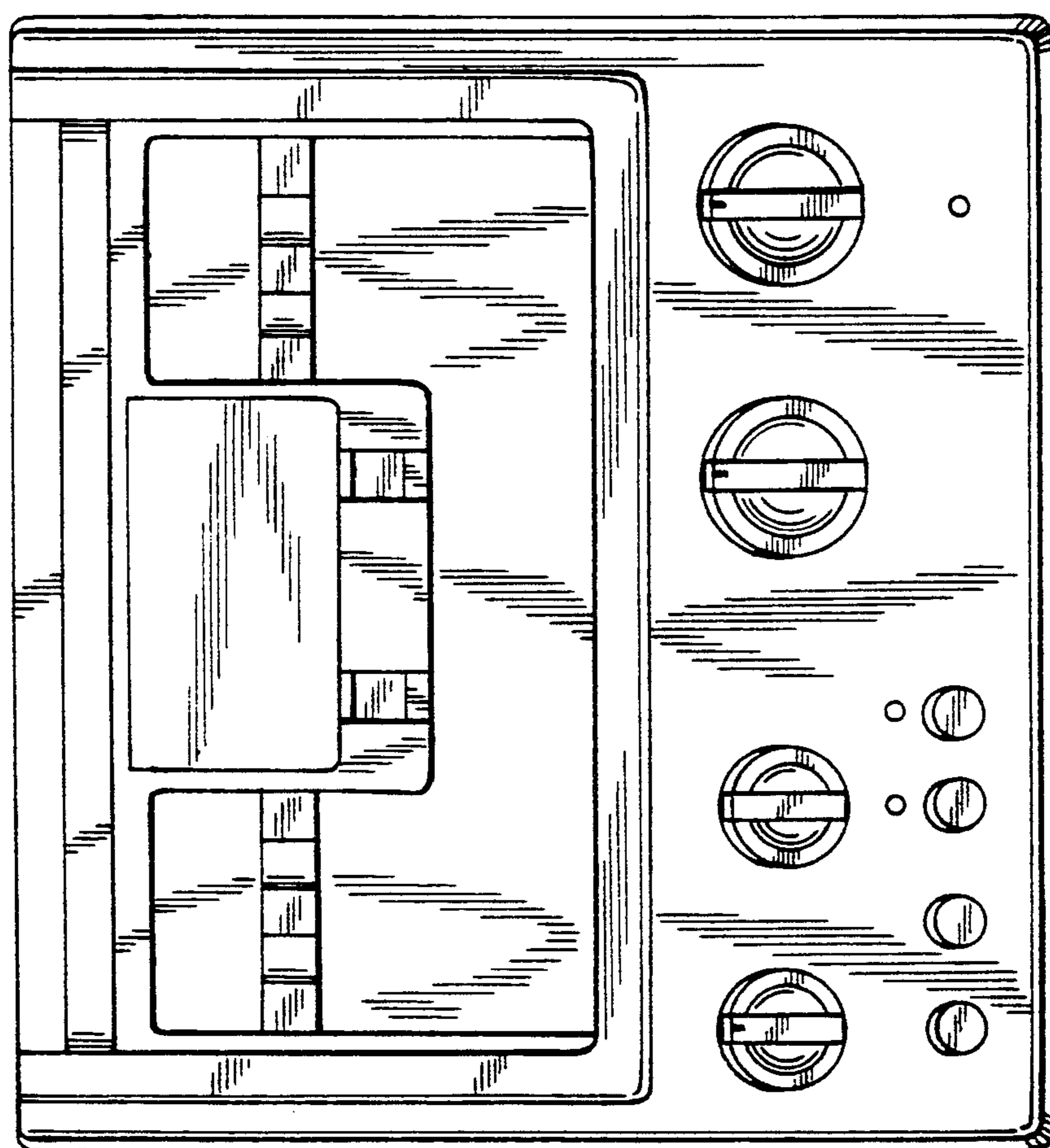


FIG. 4