



US00D326915S

United States Patent [19]

[11] Patent Number: **Des. 326,915**

Dallaire et al.

[45] Date of Patent: **** Jun. 9, 1992**

[54] DOOR SILL EXTRUSION

[56]

References Cited

[75] Inventors: **Raymond Dallaire; Dominique Dallaire**, both of St. David, Canada

U.S. PATENT DOCUMENTS

D. 301,172	5/1989	Dallaire et al.	D25/119
3,483,658	12/1969	Dallaire	D25/52
4,944,118	2/1992	Biro	49/504

[73] Assignee: **Dallaire Industries Ltd.**, Levis-Lauzon, Canada

Primary Examiner—A. Hugo Word
Assistant Examiner—Doris Clark
Attorney, Agent, or Firm—James D. Hall

[**] Term: **14 Years**

[57] CLAIM

[21] Appl. No.: **522,846**

The ornamental design for a door sill extrusion, as shown and described.

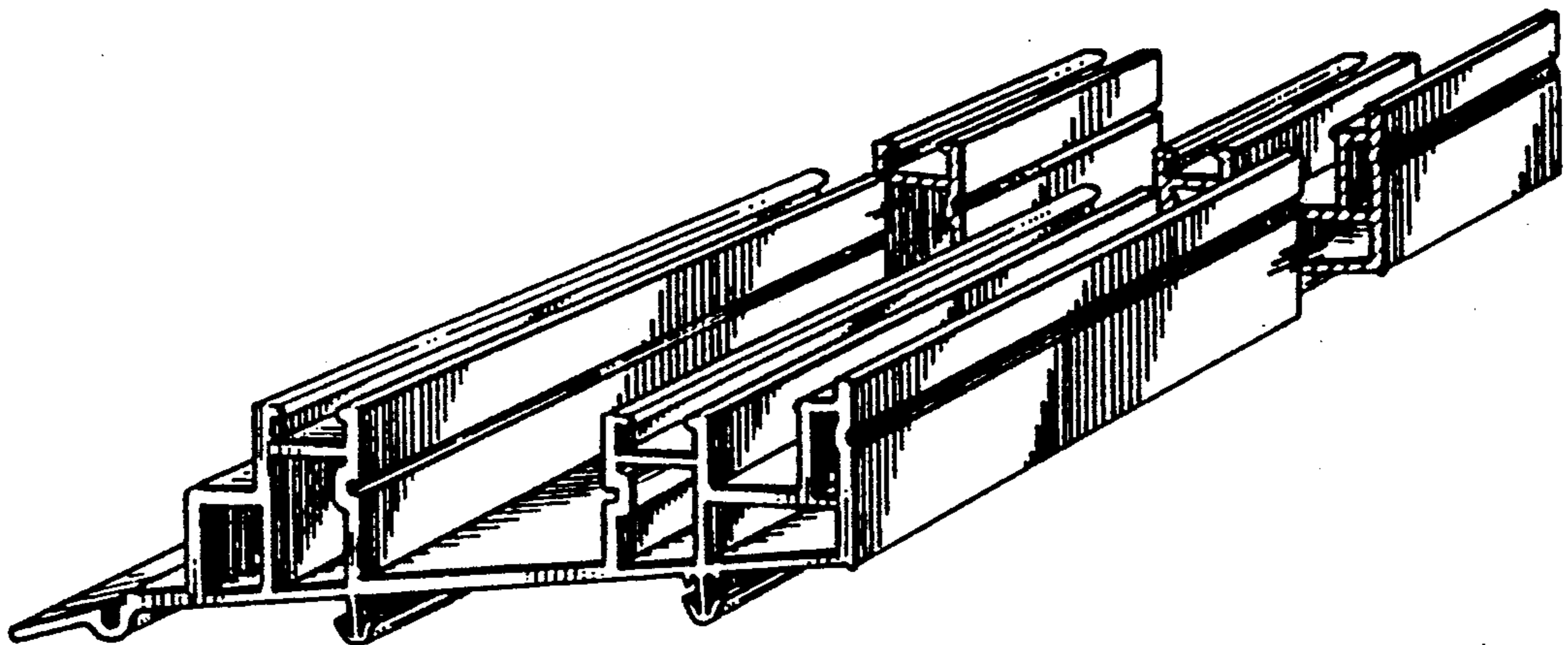
[22] Filed: **May 11, 1990**

DESCRIPTION

[52] U.S. Cl. **D25/124**

[58] Field of Search **D25/48, 123, 124;**
49/303-305, 314, 419, 472-473, 485-486, 501,
504

FIG. 1 is a top perspective view of a door sill extrusion showing our new design, the extrusion being broken in the center to indicate indeterminate length; and, FIG. 2 is a bottom perspective view thereof.



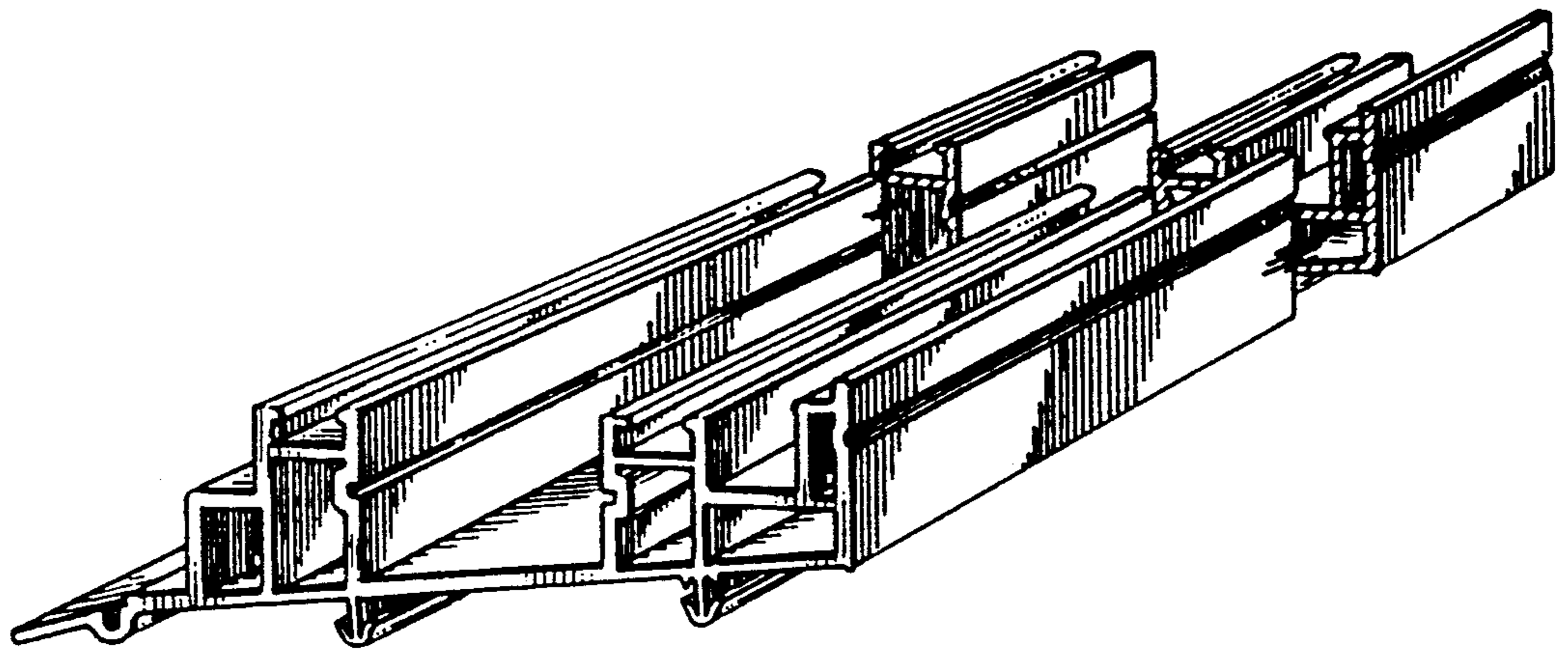


FIG. 1

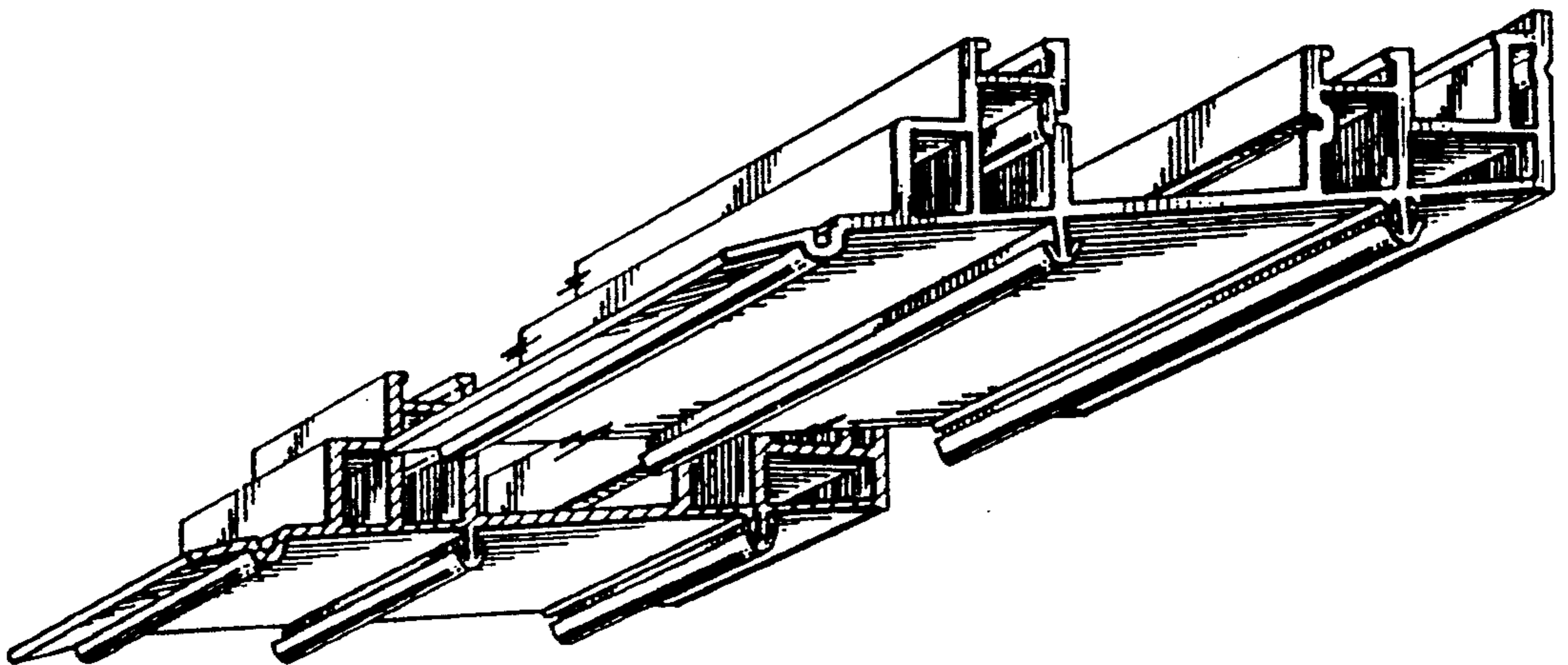


FIG. 2