



US00D326912S

# United States Patent [19]

[11] Patent Number: **Des. 326,912**

Wasilewski

[45] Date of Patent: **\*\* Jun. 9, 1992**

[54] **BROACH INSERTION TOOL**

4,921,493 5/1990 Webb, Jr. et al. .... 606/85  
4,990,149 2/1991 Fallin ..... 606/85

[75] Inventor: **Stanley A. Wasilewski, Randolph, N.J.**

*Primary Examiner*—Bernard Ansher  
*Assistant Examiner*—Philip Hyder  
*Attorney, Agent, or Firm*—Nixon & Vanderhye

[73] Assignee: **Implant Technology, Inc., Secaucus, N.J.**

[\*\*] Term: **14 Years**

[57] **CLAIM**

[21] Appl. No.: **344,983**

The ornamental design for a broach insertion tool, as shown and described.

[22] Filed: **Apr. 28, 1989**

**DESCRIPTION**

[52] U.S. Cl. .... **D24/147**

[58] Field of Search ..... D24/146, 147; 606/84, 606/85, 99, 100, 101, 102, 103, 104, 105

FIG. 1 is a perspective view of a broach insertion tool showing my new design;

FIG. 2 is a top plan view thereof;

FIG. 3 is a rear elevational view thereof;

FIG. 4 is a bottom plan view thereof;

FIG. 5 is a side elevational view thereof;

FIG. 6 is a front elevational view thereof; and,

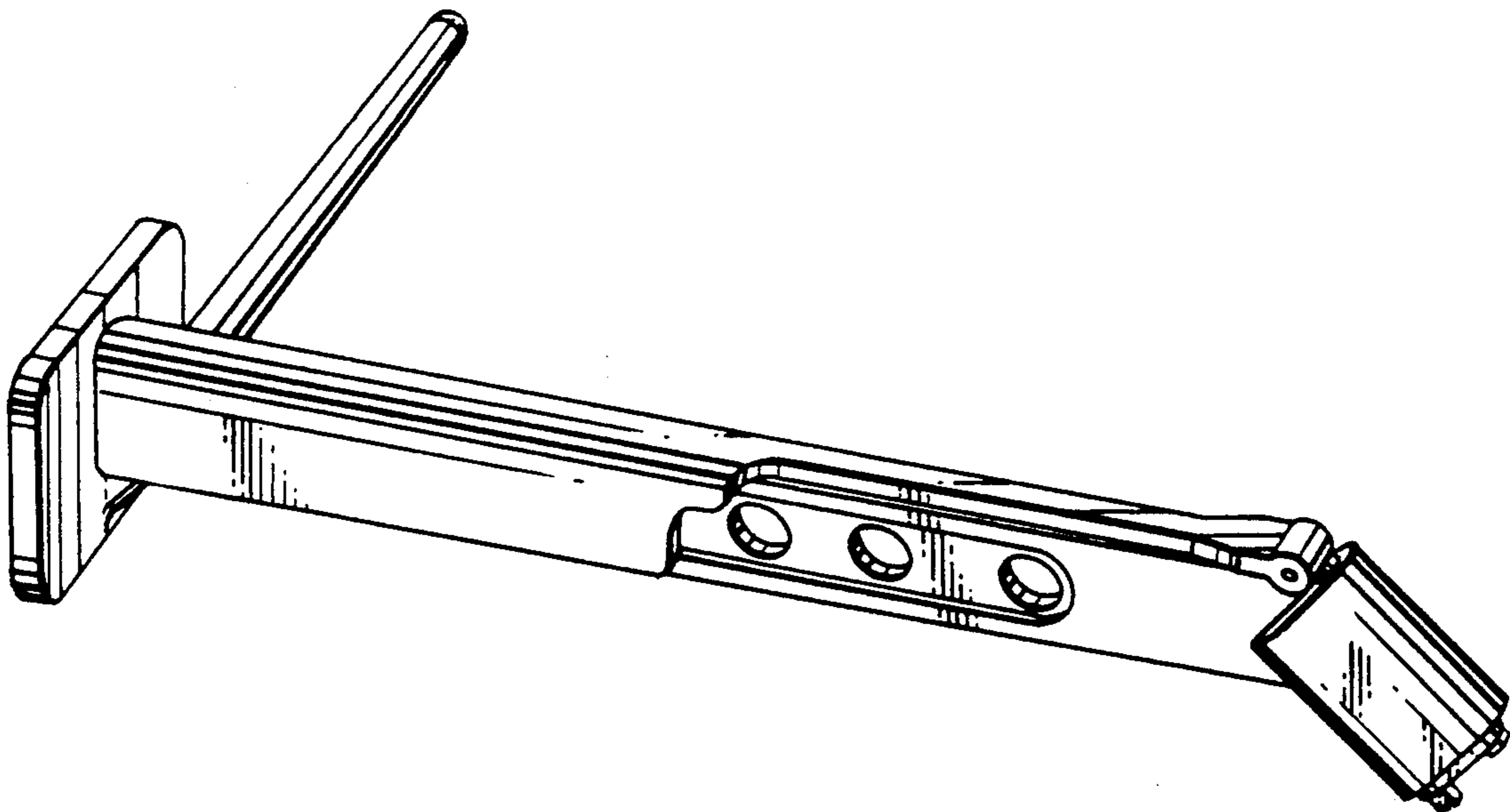
FIG. 7 is a top plan view of modified embodiment thereof.

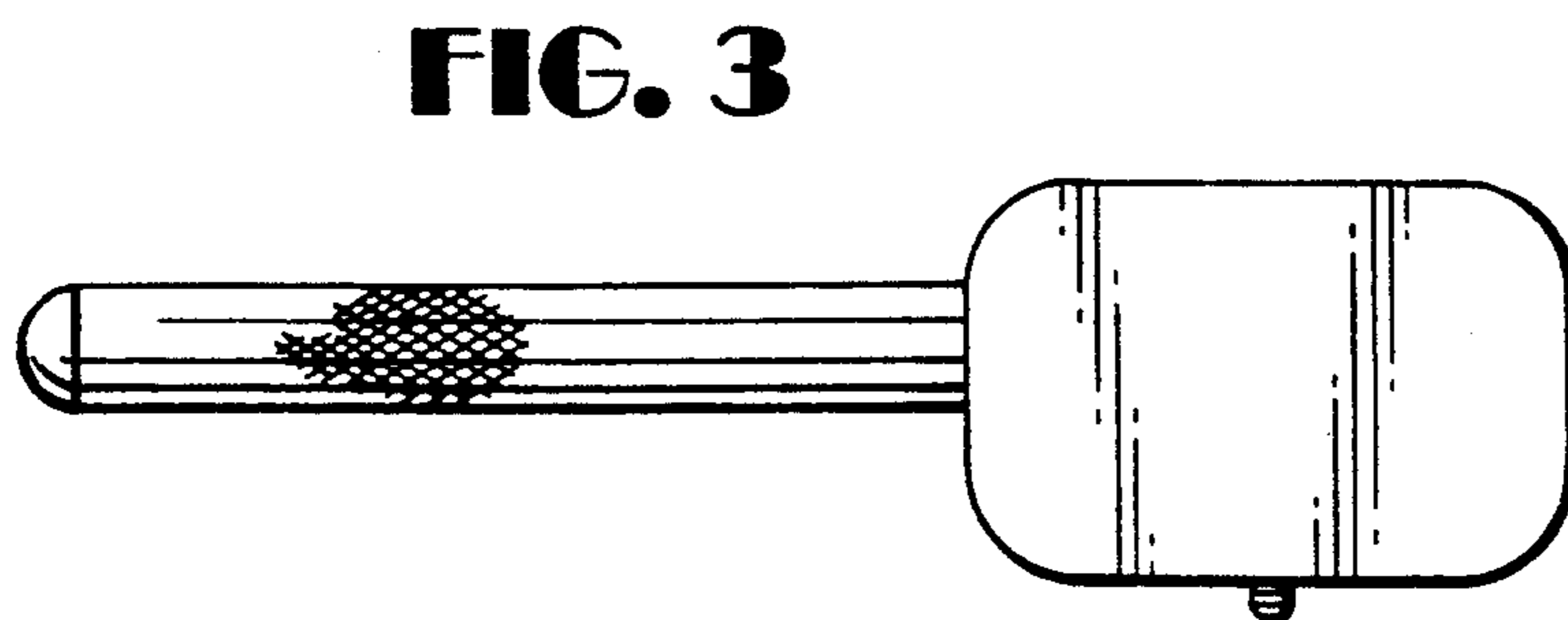
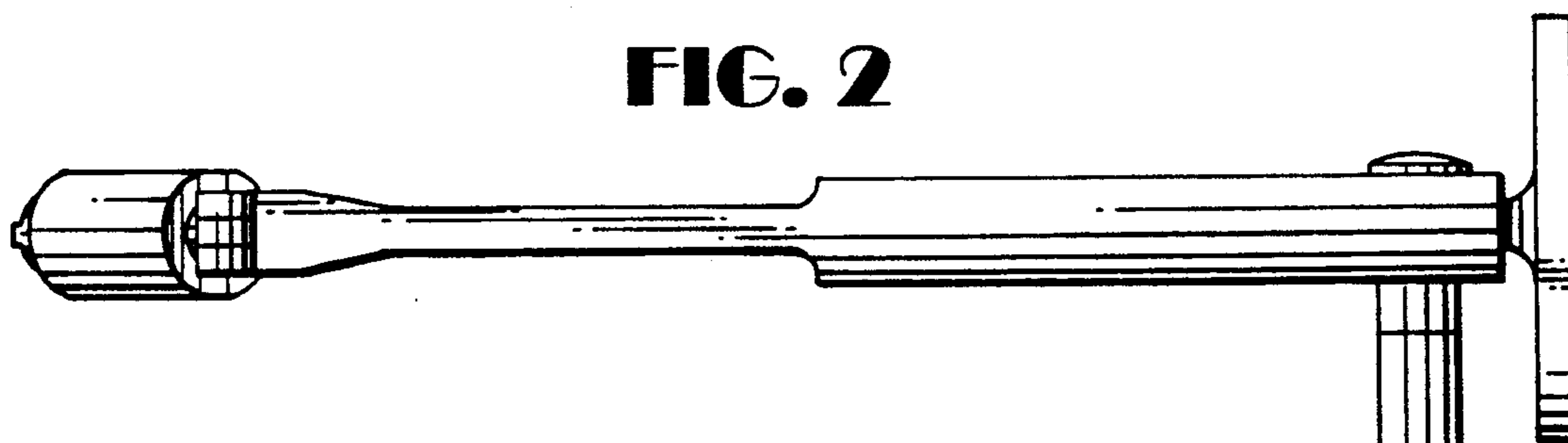
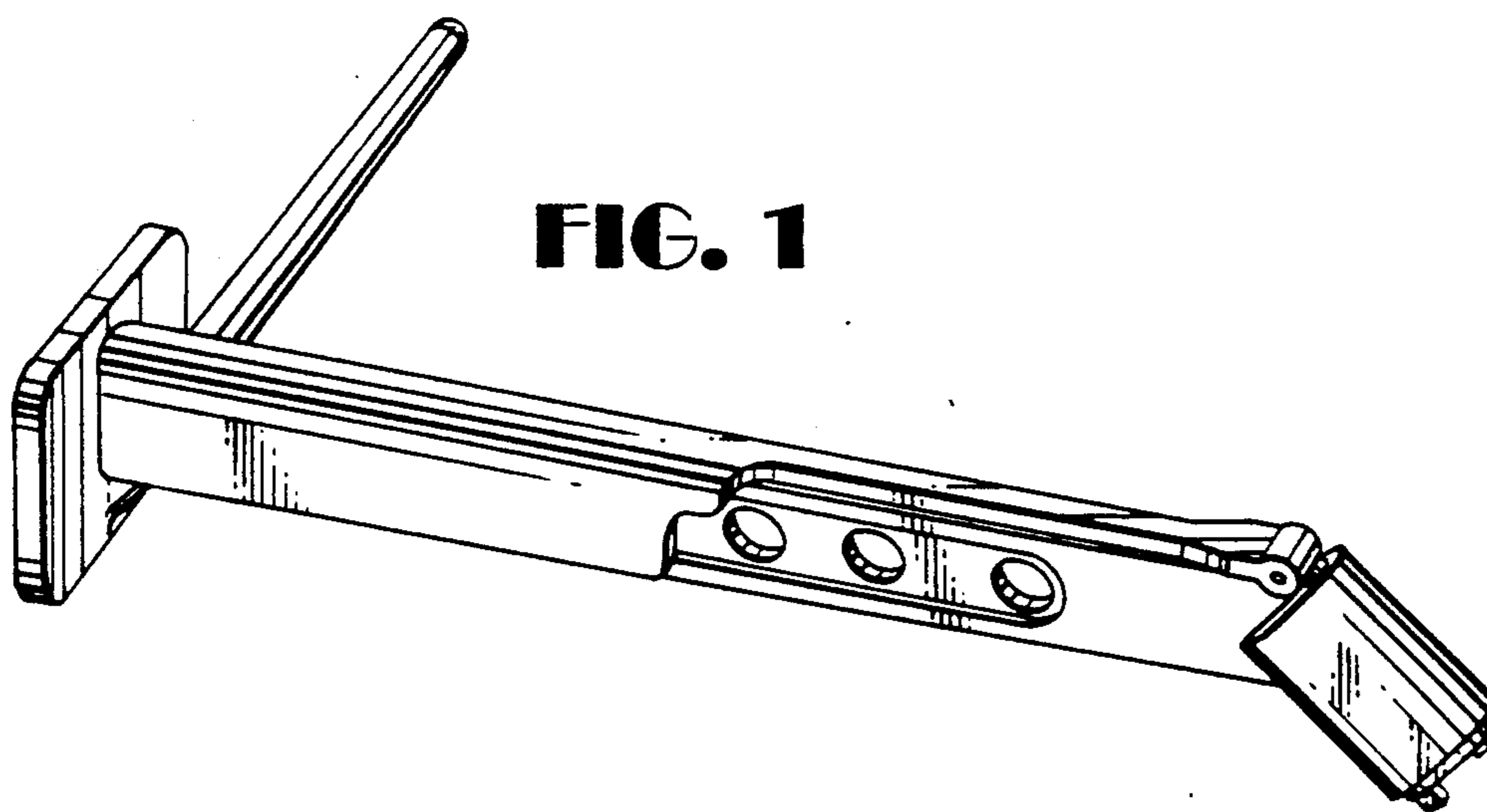
The knurled texture is shown fragmentarily for ease of illustration.

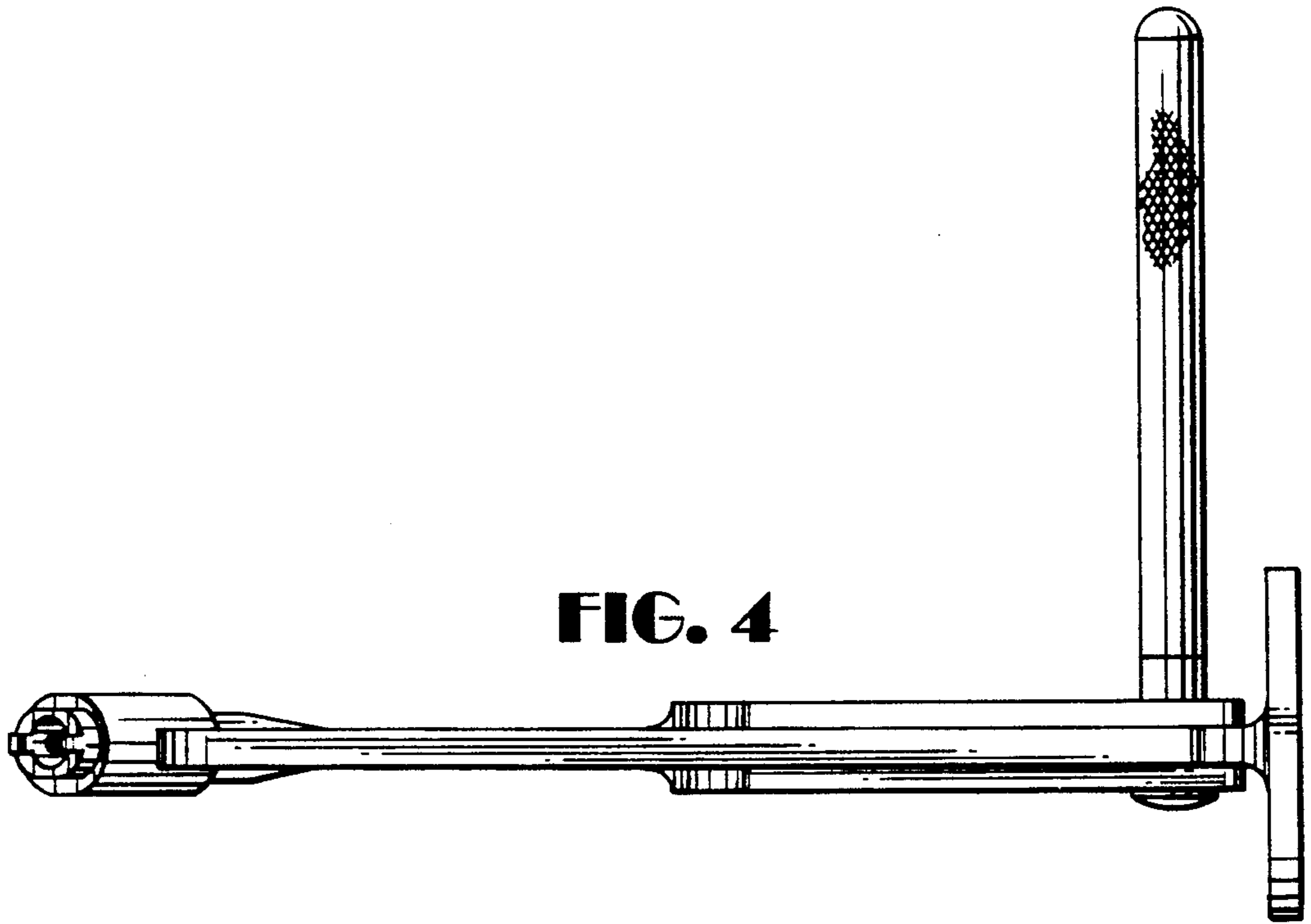
[56] **References Cited**

**U.S. PATENT DOCUMENTS**

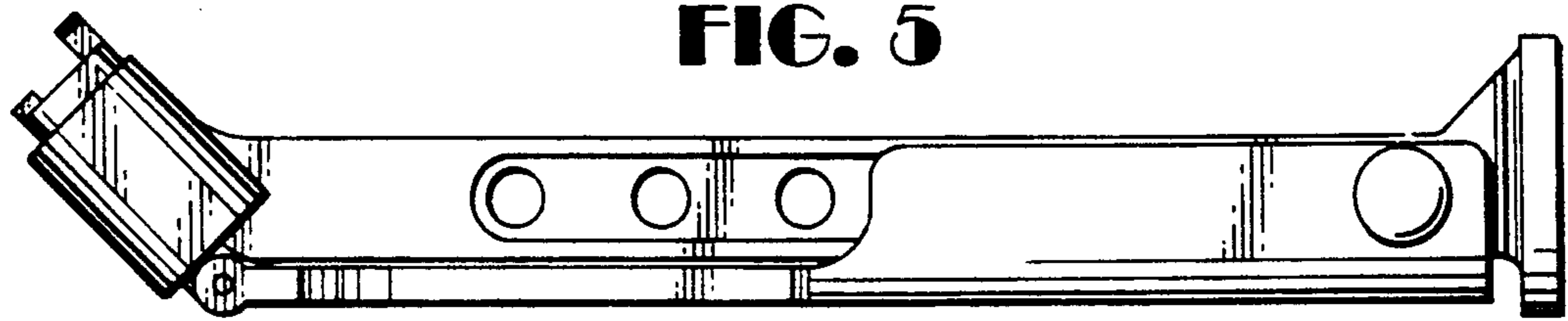
D. 282,238	4/1986	Kenna	.....	D8/94
4,306,550	12/1981	Forte	.....	606/85
4,583,270	4/1986	Kenna	.....	606/85
4,587,964	5/1986	Walker et al.	.....	606/85
4,601,289	7/1986	Chiarizzio et al.	.....	606/85



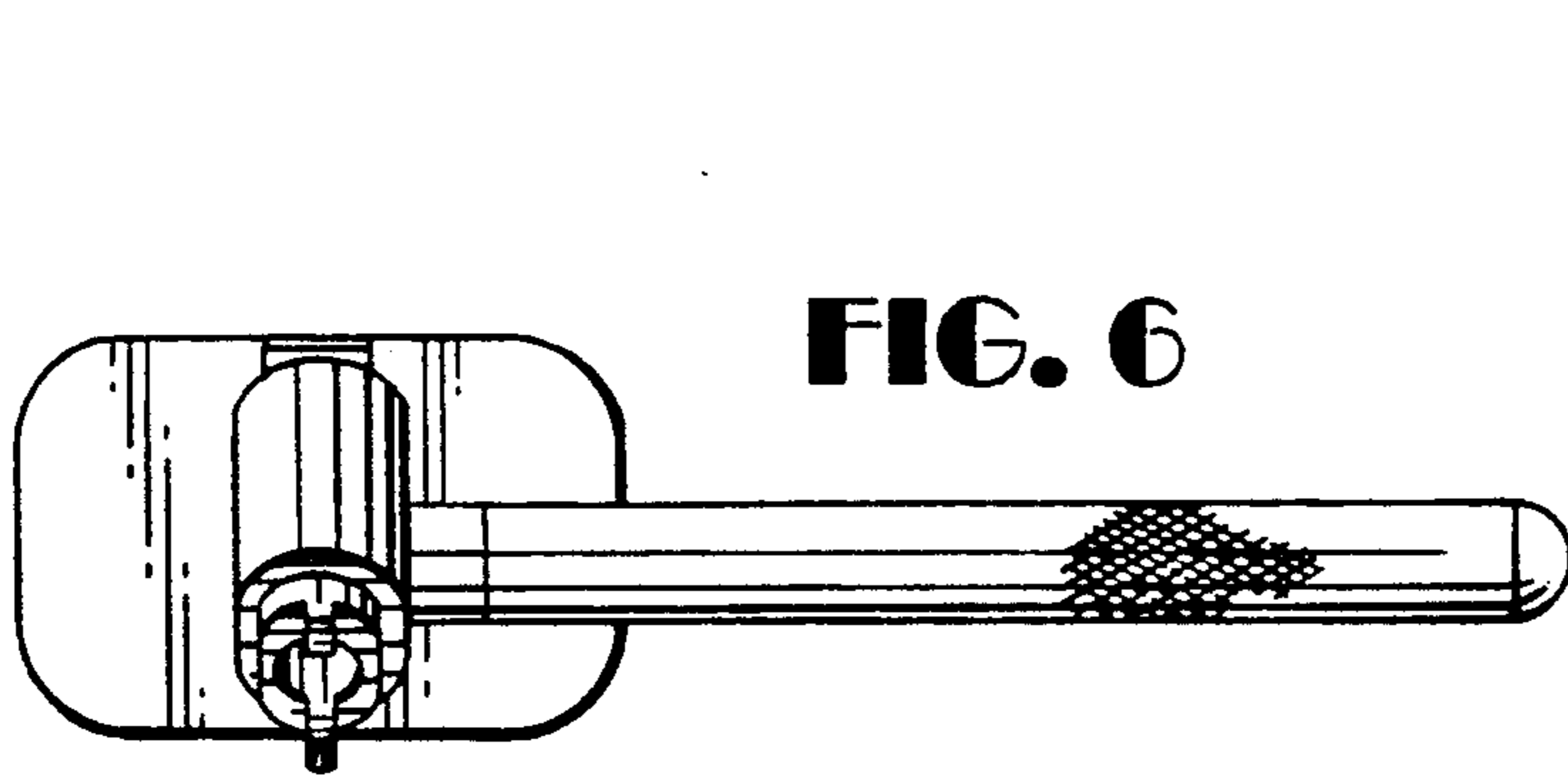




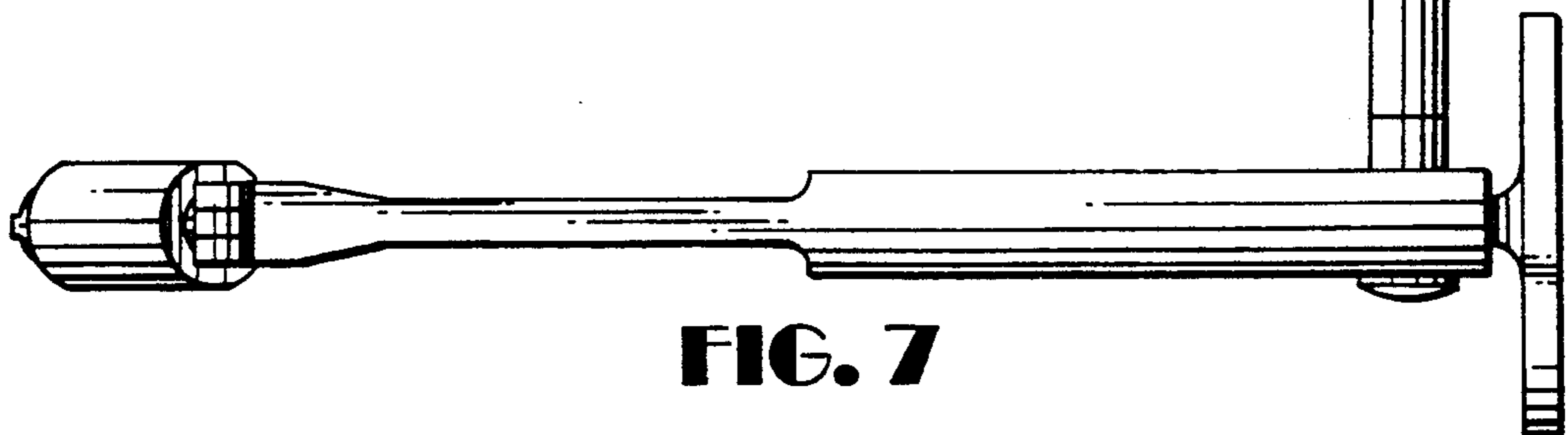
**FIG. 4**



**FIG. 5**



**FIG. 6**



**FIG. 7**