



US00D326909S

United States Patent [19]

Frank et al.

[11] Patent Number: **Des. 326,909**

[45] Date of Patent: **** Jun. 9, 1992**

[54] VAPORIZER

[75] Inventors: **Bernard Frank**, Miami Beach; **Melvin B. Greenberg**, North Miami Beach, both of Fla.

[73] Assignee: **EPI Products USA, Inc.**, Santa Monica, Calif.

[**] Term: **14 Years**

[21] Appl. No.: **328,353**

[22] Filed: **Mar. 23, 1989**

[52] U.S. Cl. **D24/110**

[58] Field of Search **D24/110; 128/368, 200.23, 128/200.21, 203.16**

[56] References Cited

U.S. PATENT DOCUMENTS

D. 235,484	6/1975	Bard et al.	D24/110
D. 279,312	6/1985	Pohlmann	D24/110
D. 284,893	7/1986	Fink et al.	D24/110
3,152,240	10/1964	Scott	128/368 X
3,949,743	4/1976	Shanbrom	D24/110 X
4,621,641	11/1986	Frank et al.	128/368

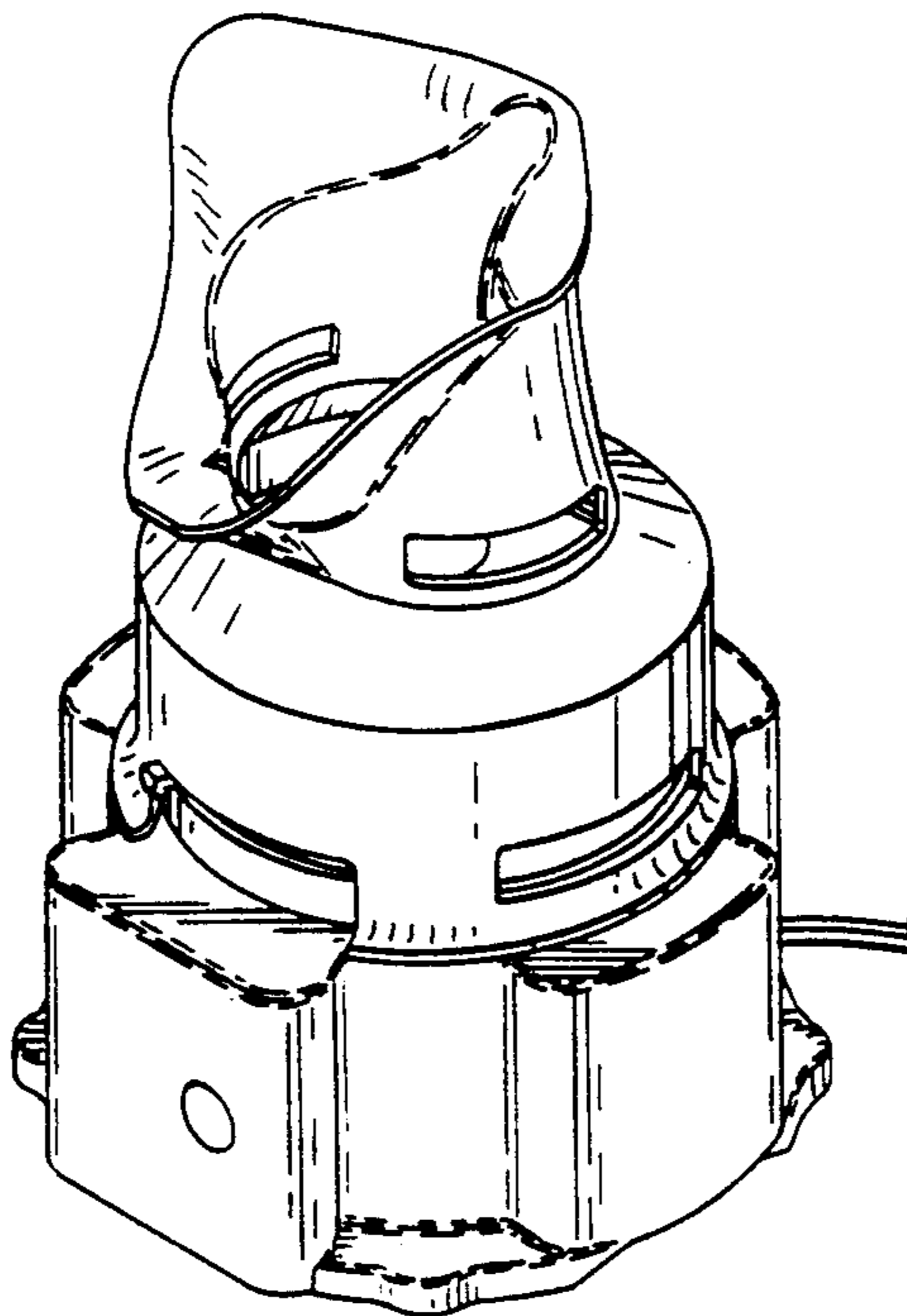
Primary Examiner—Stella Reid
Attorney, Agent, or Firm—Caesar, Rivise, Bernstein, Cohen & Pokotilow, Ltd.

[57] CLAIM

The ornamental design for a vaporizer, as shown and described.

DESCRIPTION

FIG. 1 is a perspective view of a vaporizer showing our new design;
 FIG. 2 is a front elevational view thereof;
 FIG. 3 is a left side elevational view thereof;
 FIG. 4 is a rear elevational view thereof;
 FIG. 5 is a right side elevational view thereof;
 FIG. 6 is a top plan view thereof;
 FIG. 7 is a bottom plan view thereof;
 FIG. 8 is a perspective view of the base of the vaporizer showing our new design of the base;
 FIG. 9 is a front elevational view of the base shown in FIG. 8;
 FIG. 10 is a rear elevational view of the base shown in FIG. 8;
 FIG. 11 is a left side elevational view of the base shown in FIG. 8;
 FIG. 12 is a right side elevational view of the base shown in FIG. 8;
 FIG. 13 is a top plan view of the base shown in FIG. 8;
 FIG. 14 is a bottom plan view of the base shown in FIG. 8;
 FIG. 15 is a perspective view of the hood of the vaporizer showing our new design of the hood;
 FIG. 16 is a front elevational view of the hood shown in FIG. 15;
 FIG. 17 is a rear elevational view of the hood shown in FIG. 15;
 FIG. 18 is a left side elevational view of the hood shown in FIG. 15;
 FIG. 19 is a right side elevational view of the hood shown in FIG. 15;
 FIG. 20 is a top plan view of the hood shown in FIG. 15; and,
 FIG. 21 is a bottom plan view of the hood shown in FIG. 15.



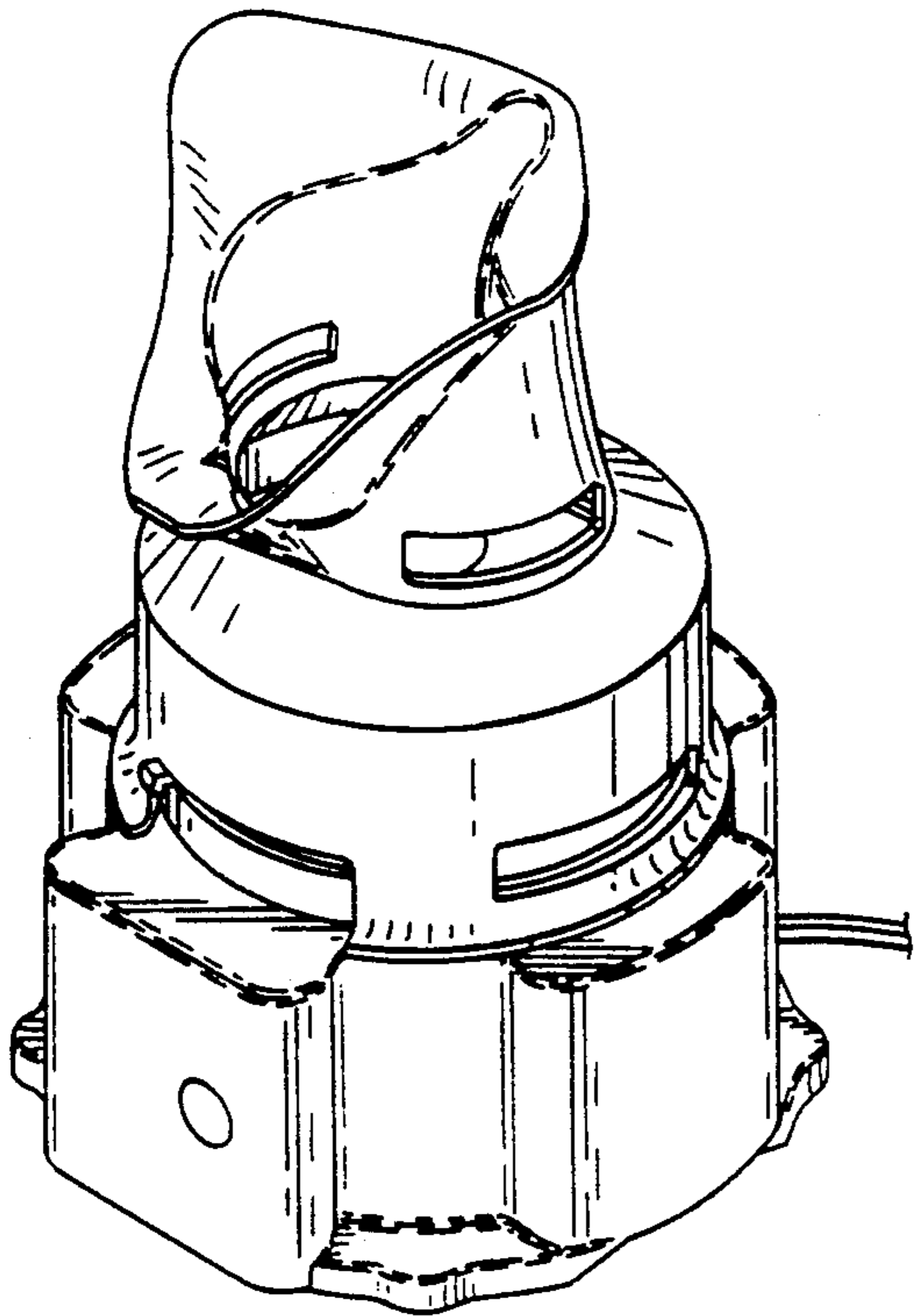


FIG. 1

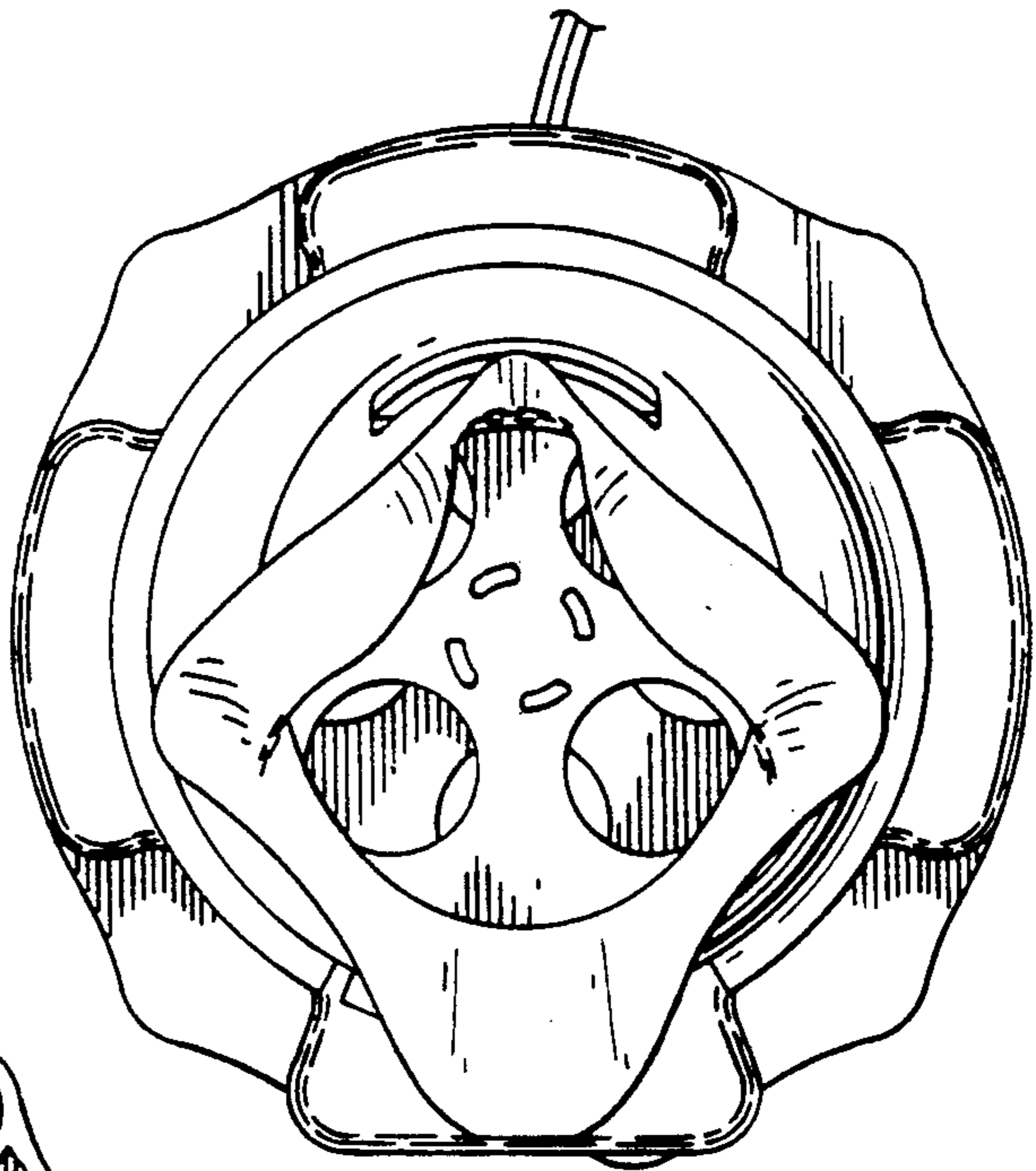


FIG. 6

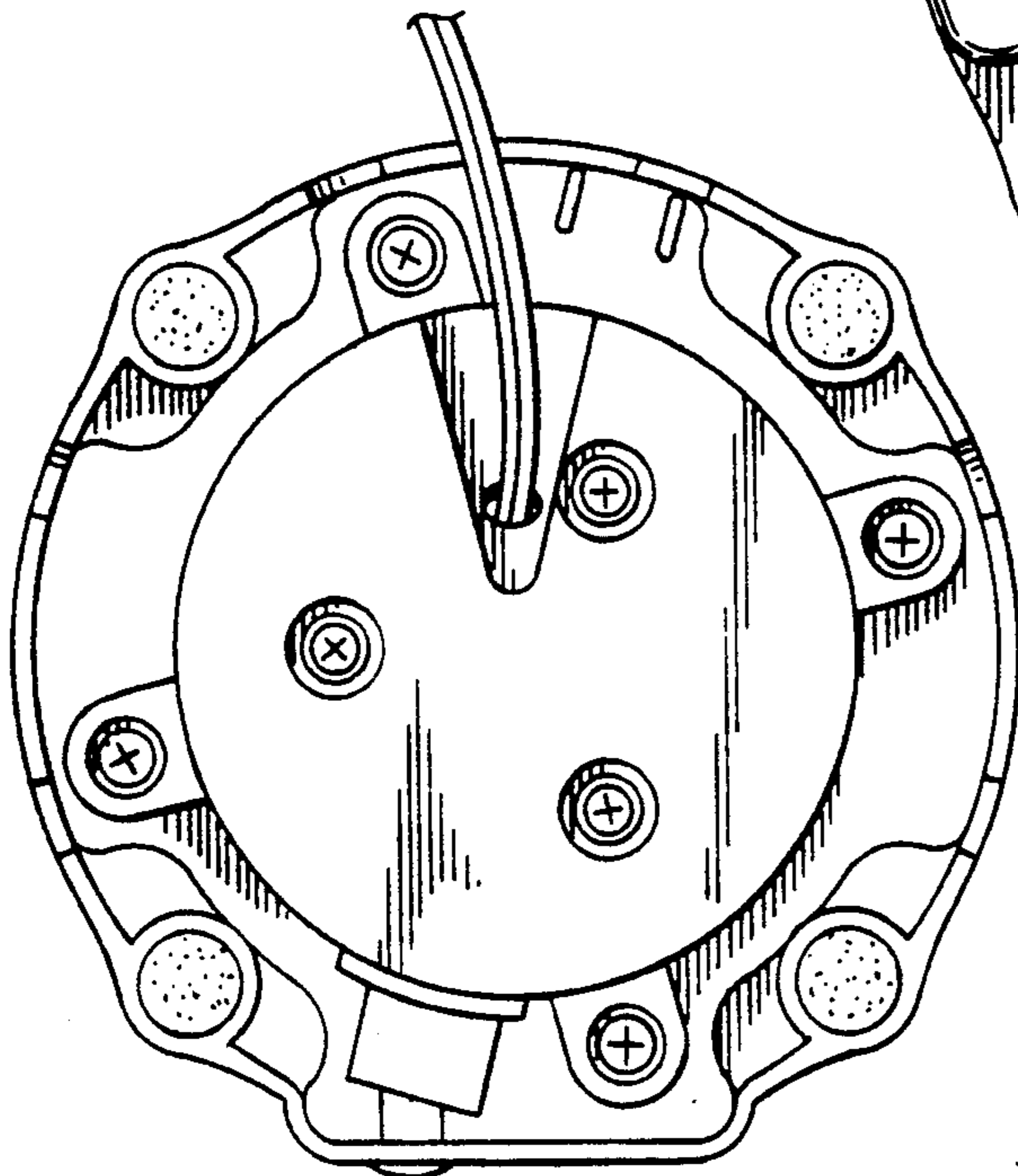


FIG. 7

FIG. 2

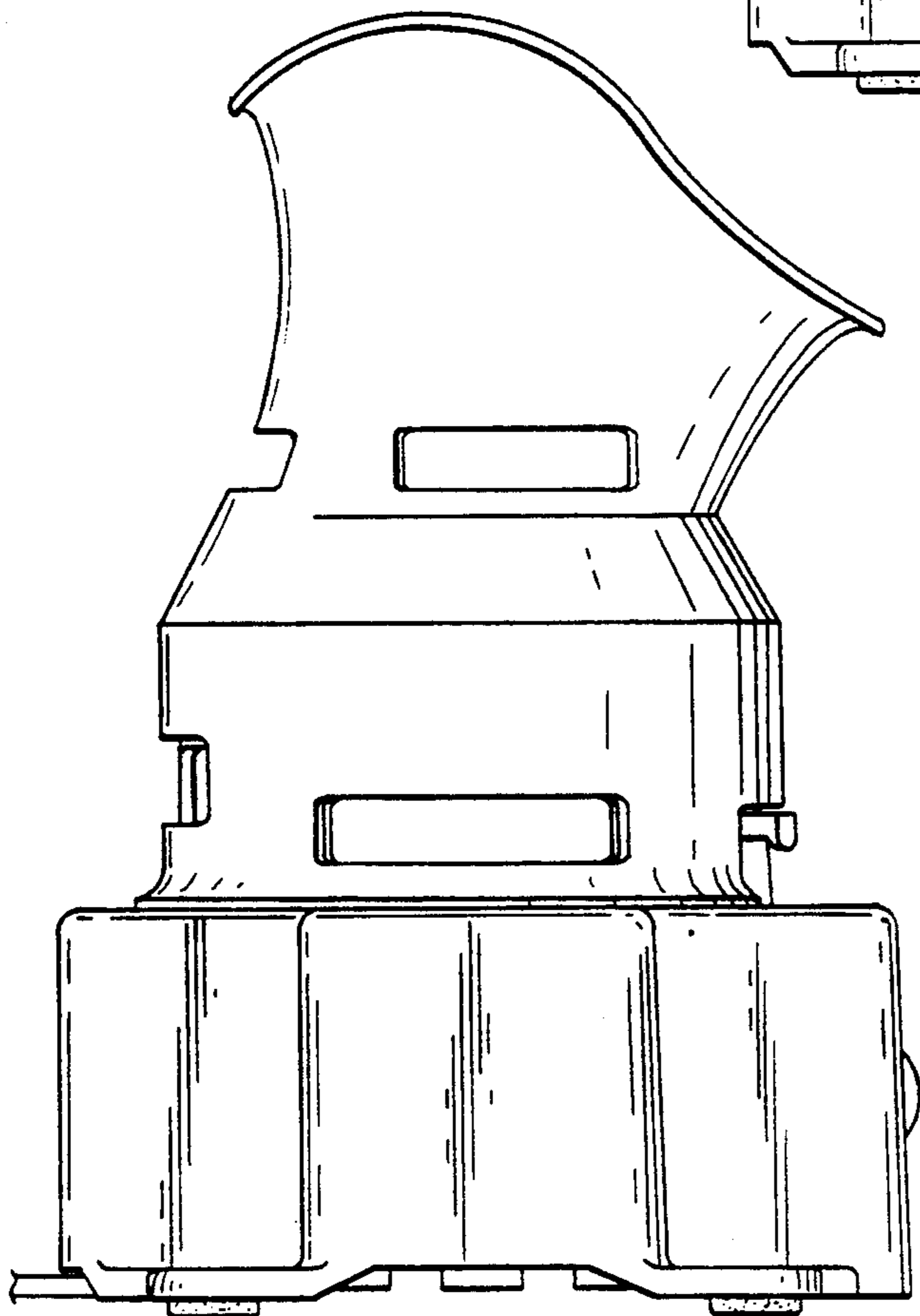
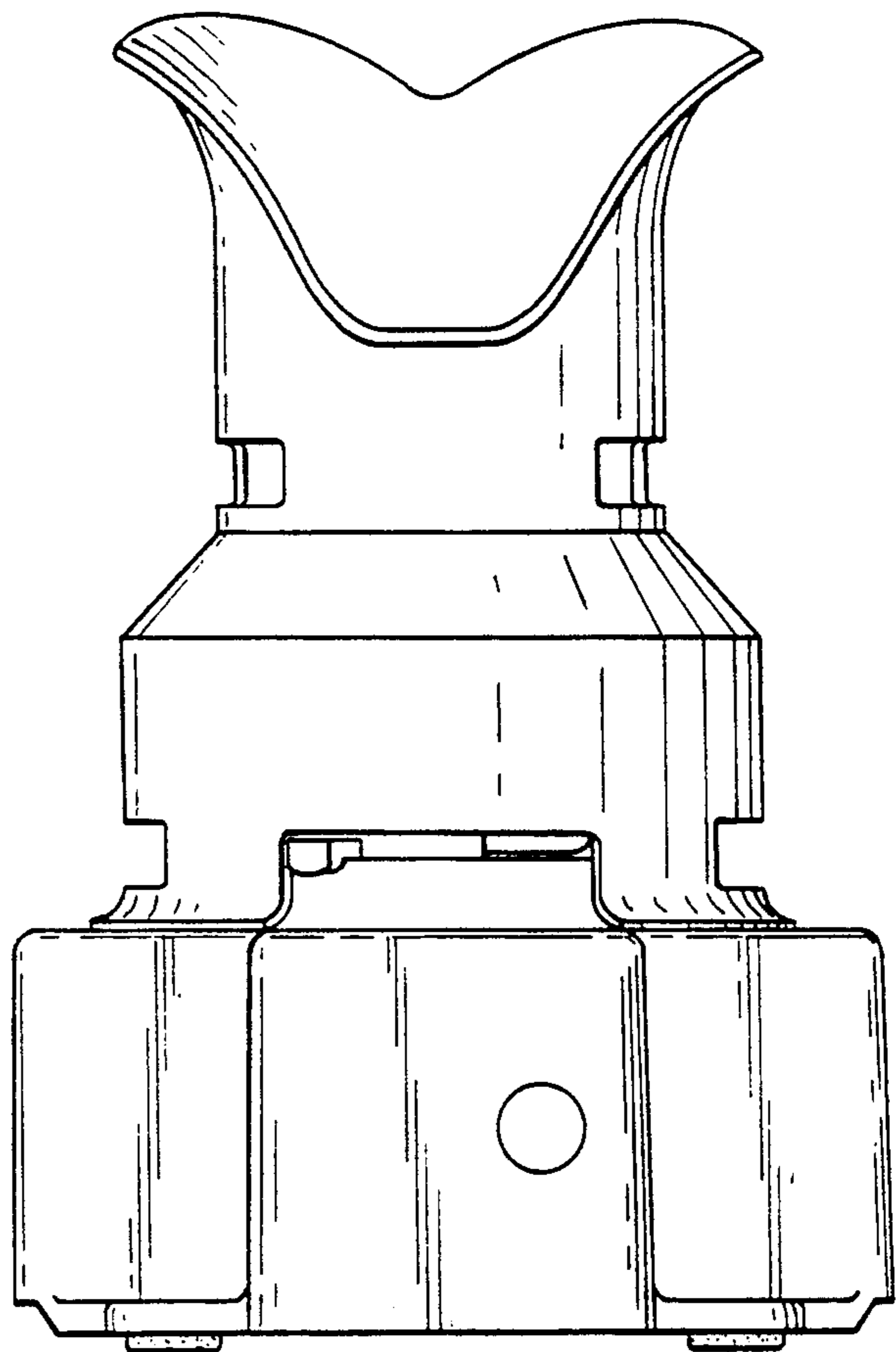


FIG. 3

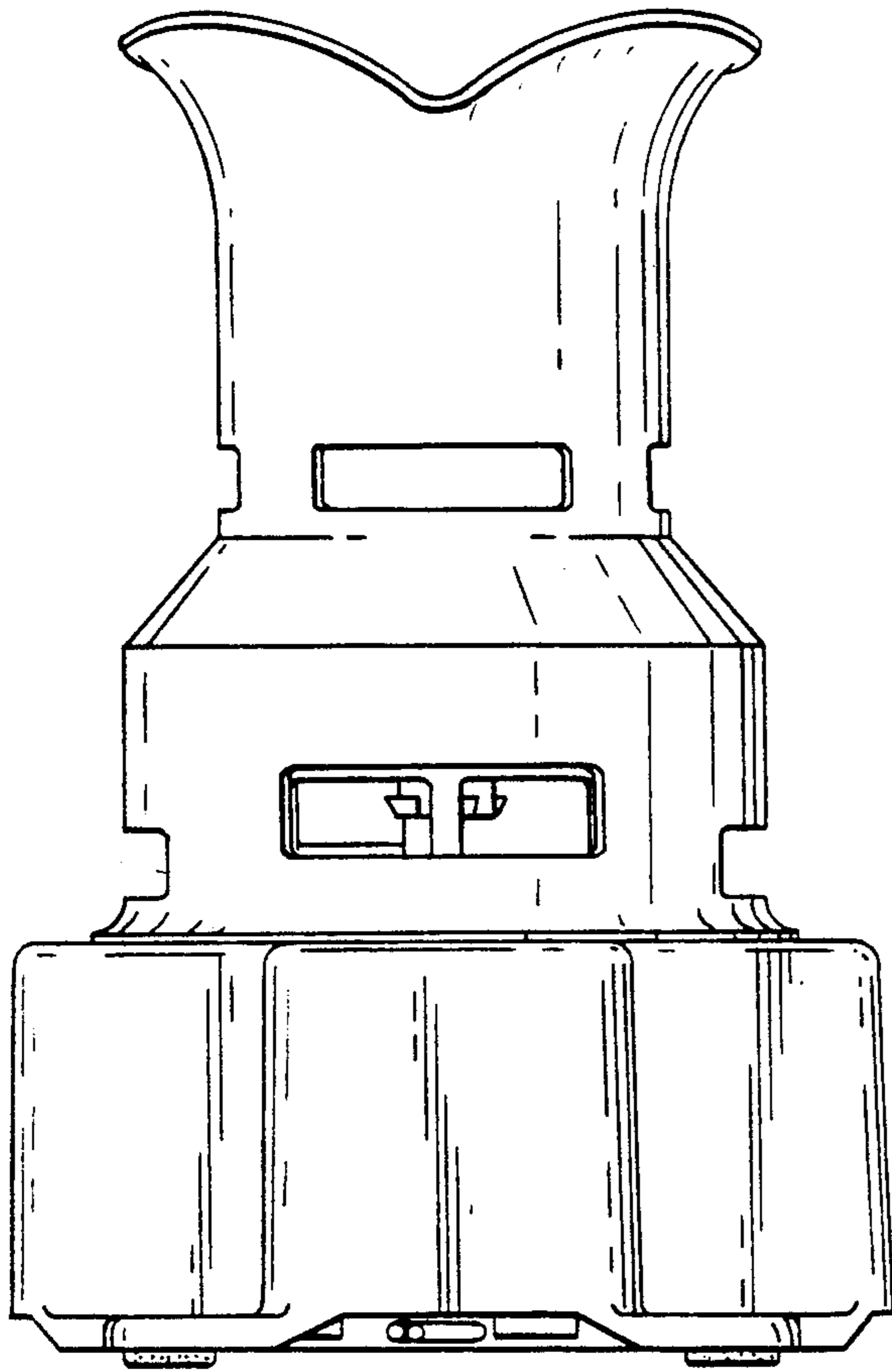


FIG. 4

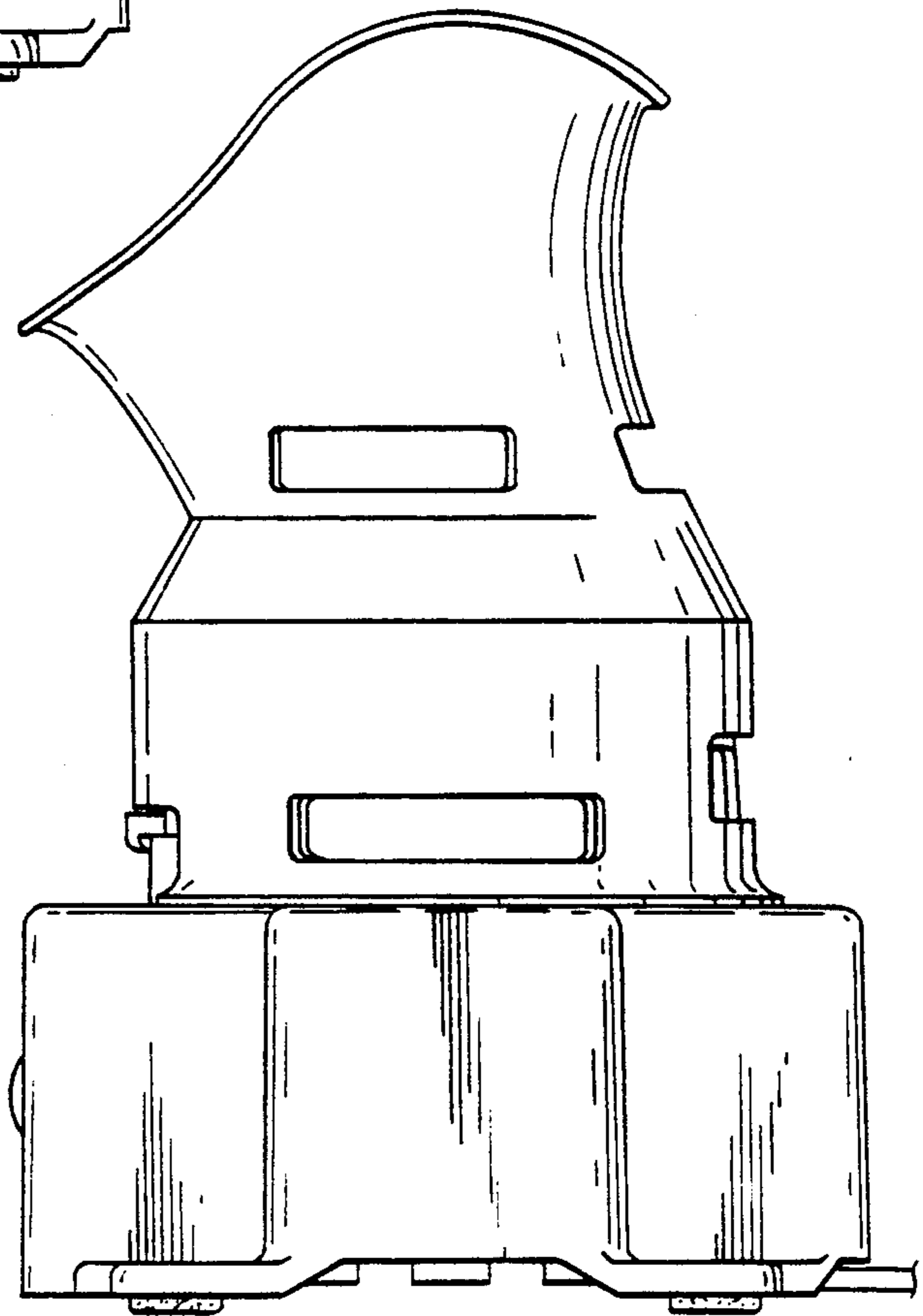


FIG. 5

FIG. 8

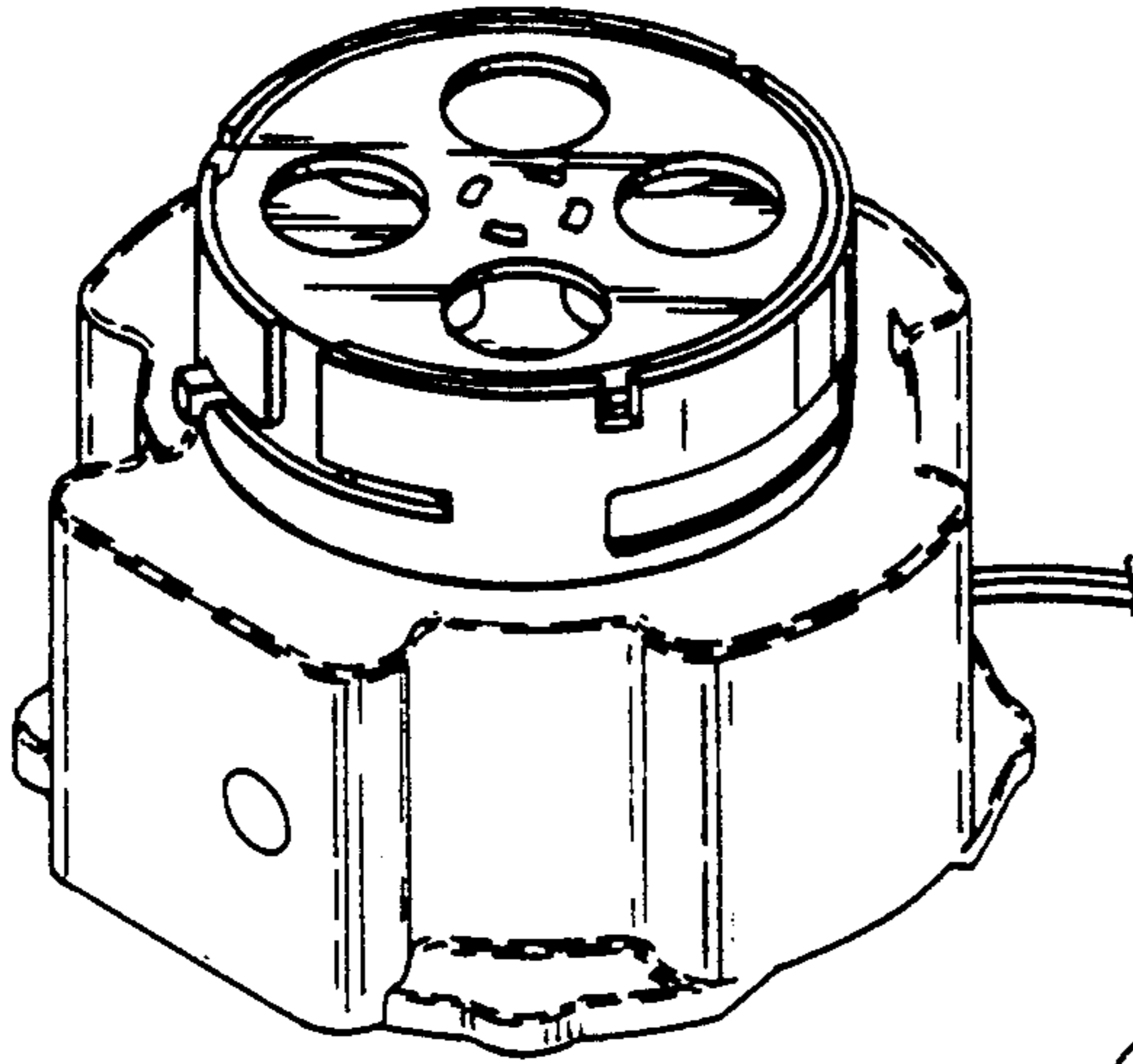


FIG. 13

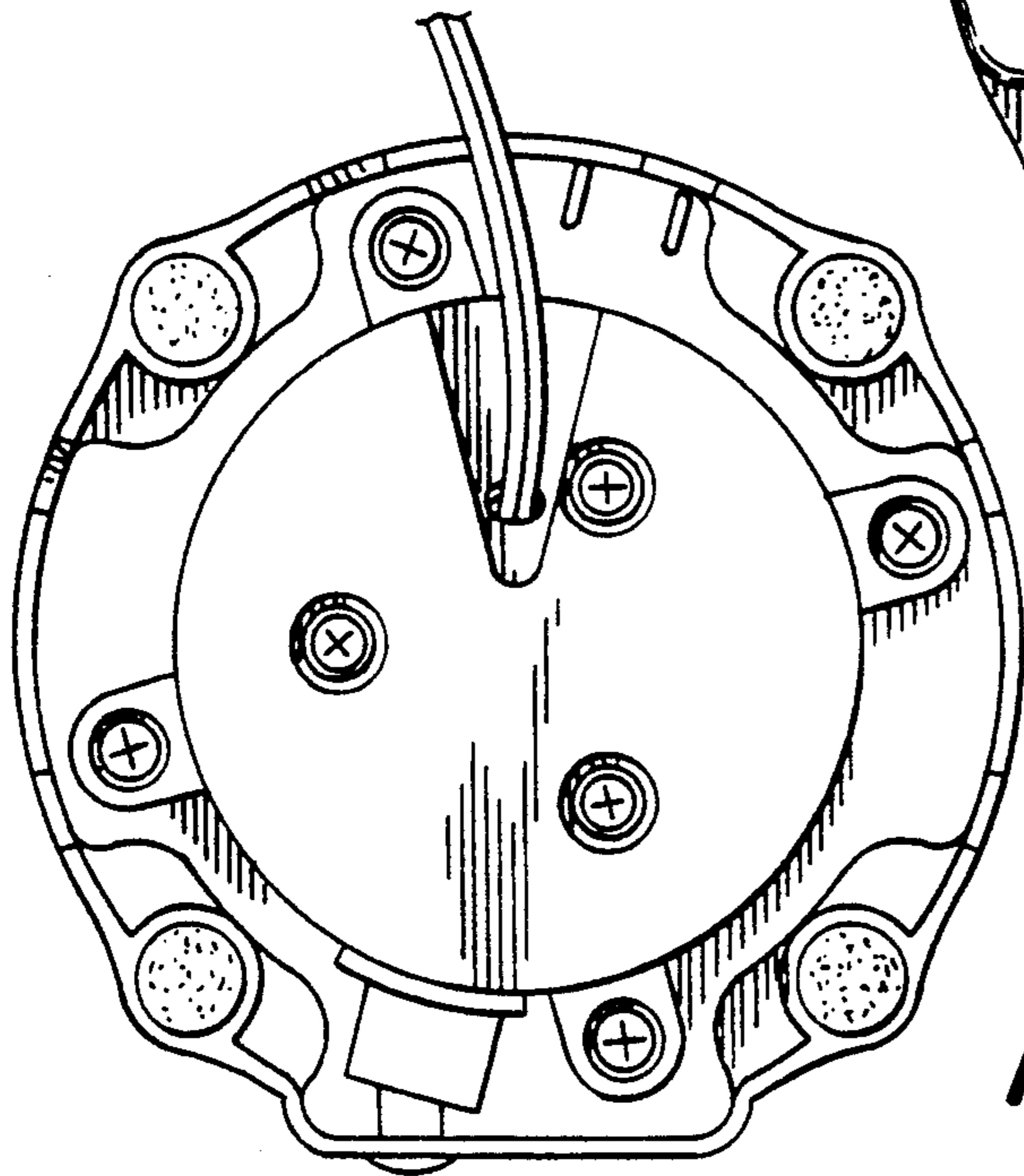
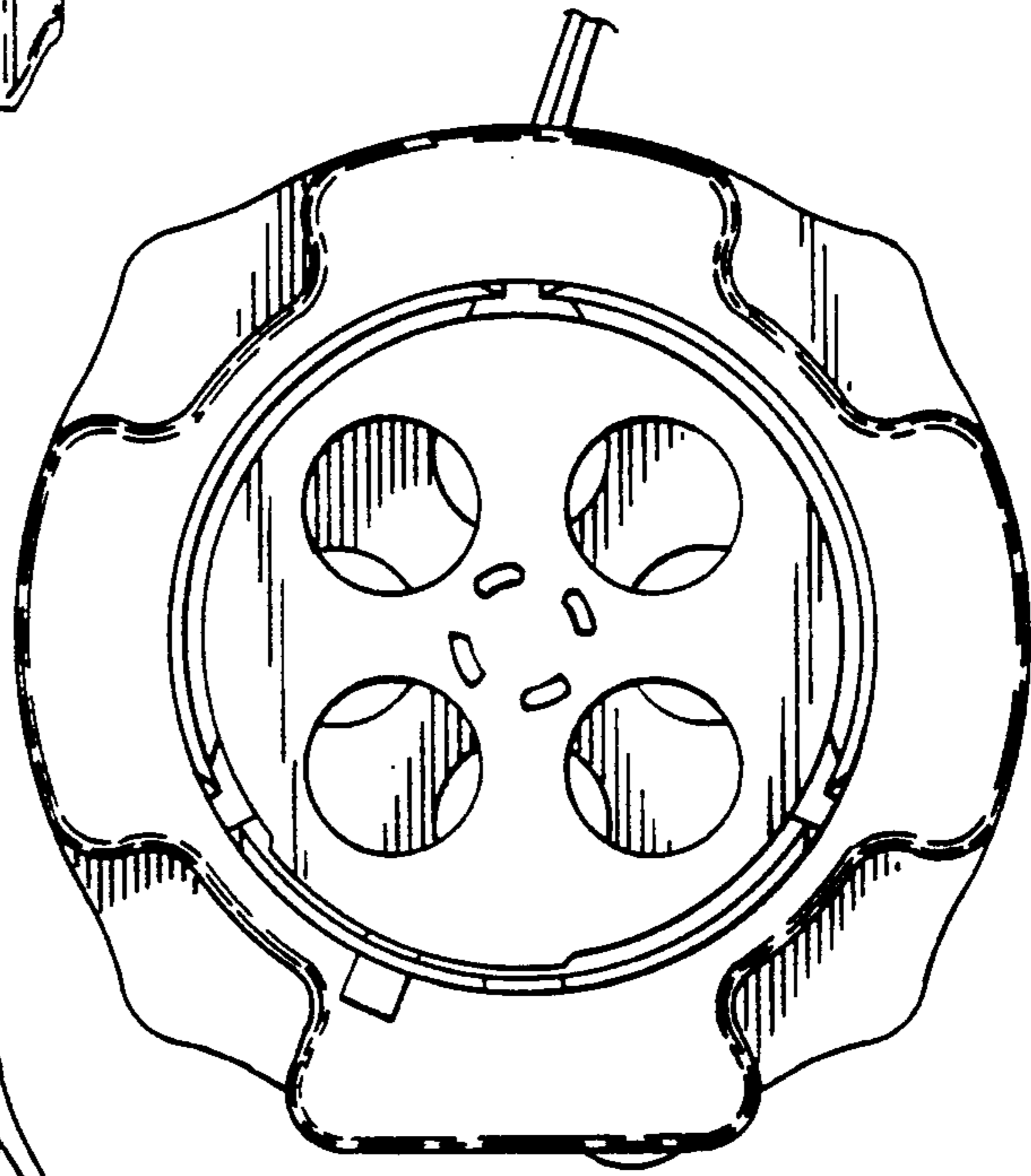


FIG. 14

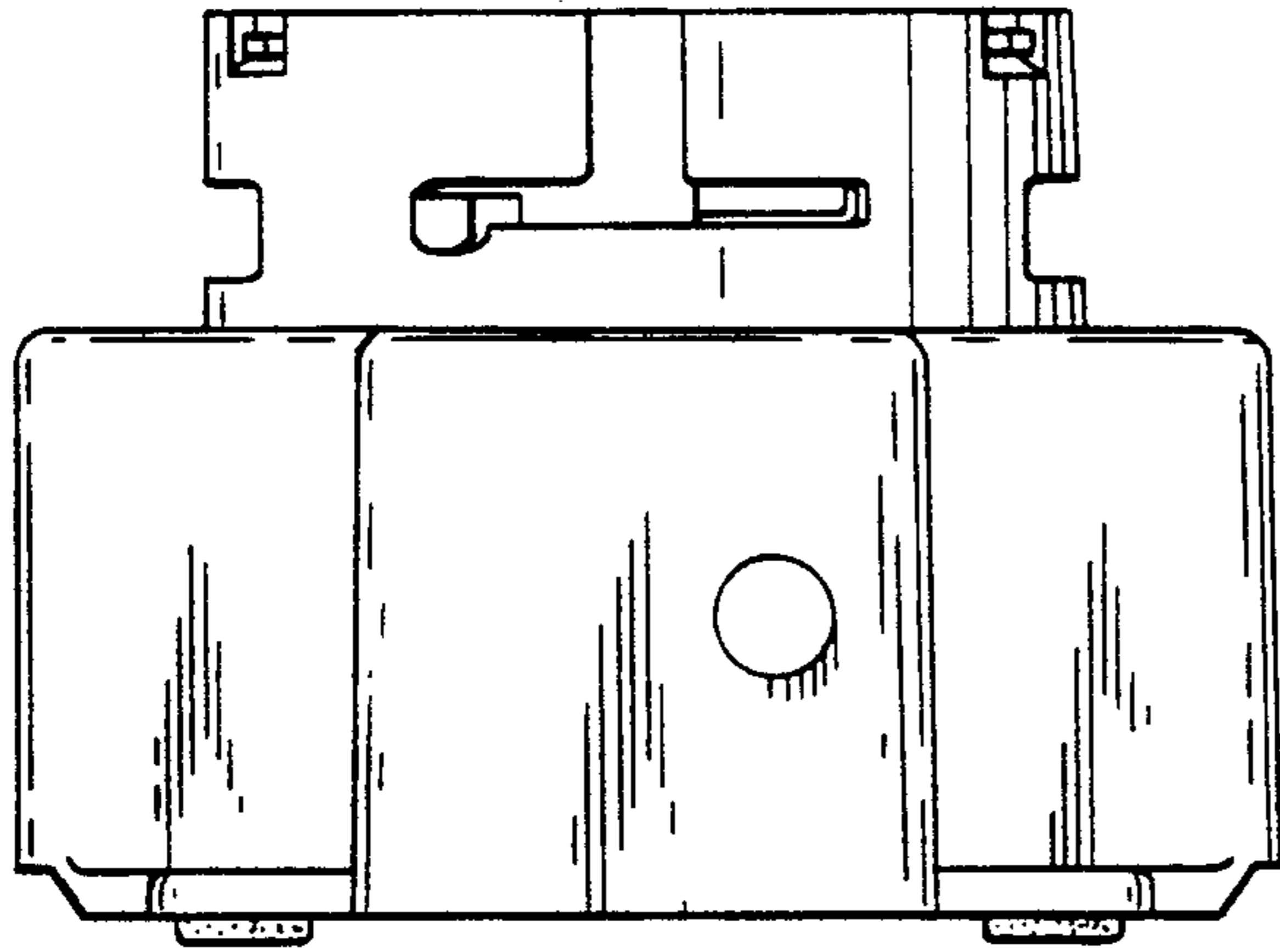


FIG. 9

FIG. 10

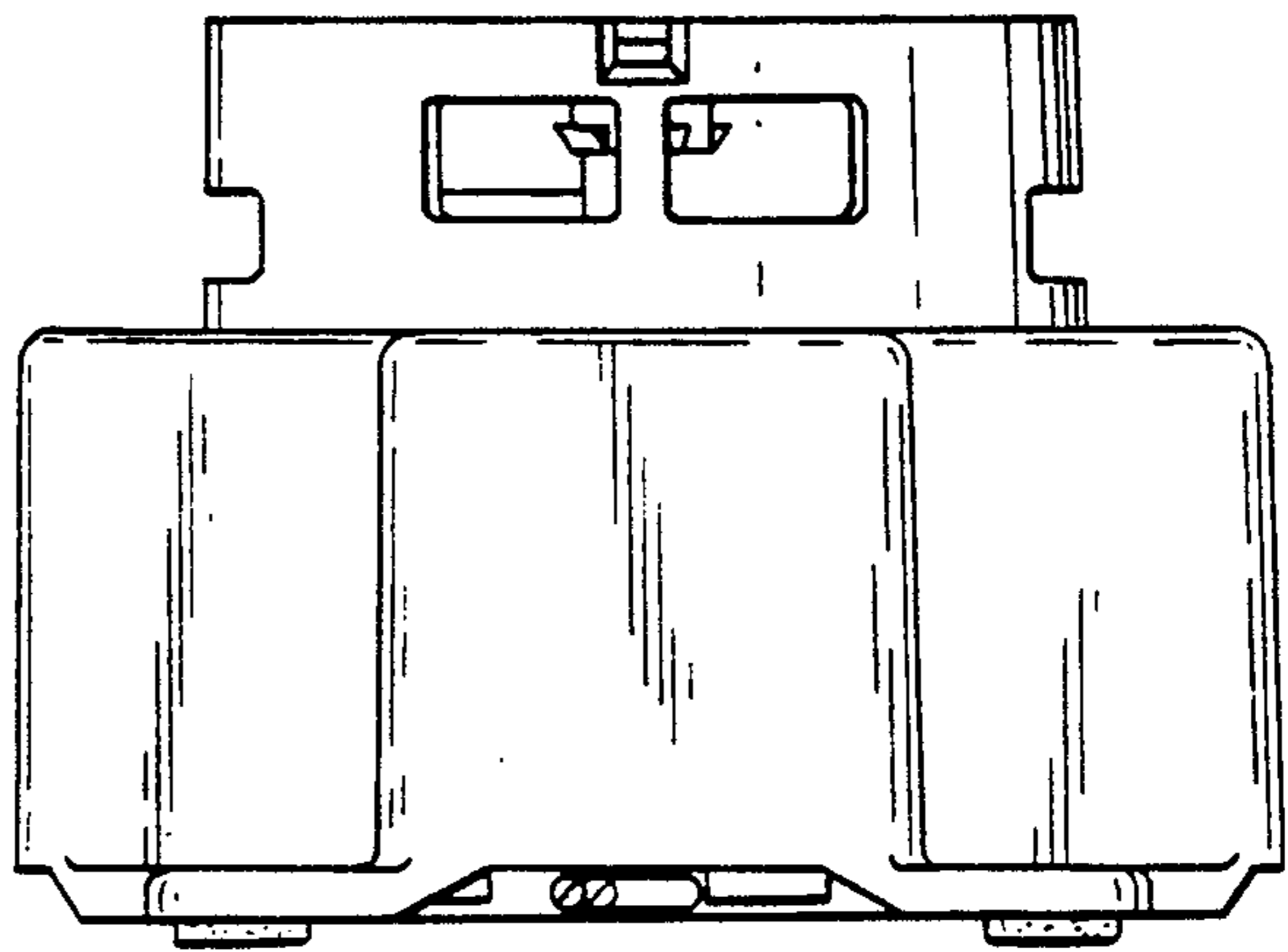


FIG. 11

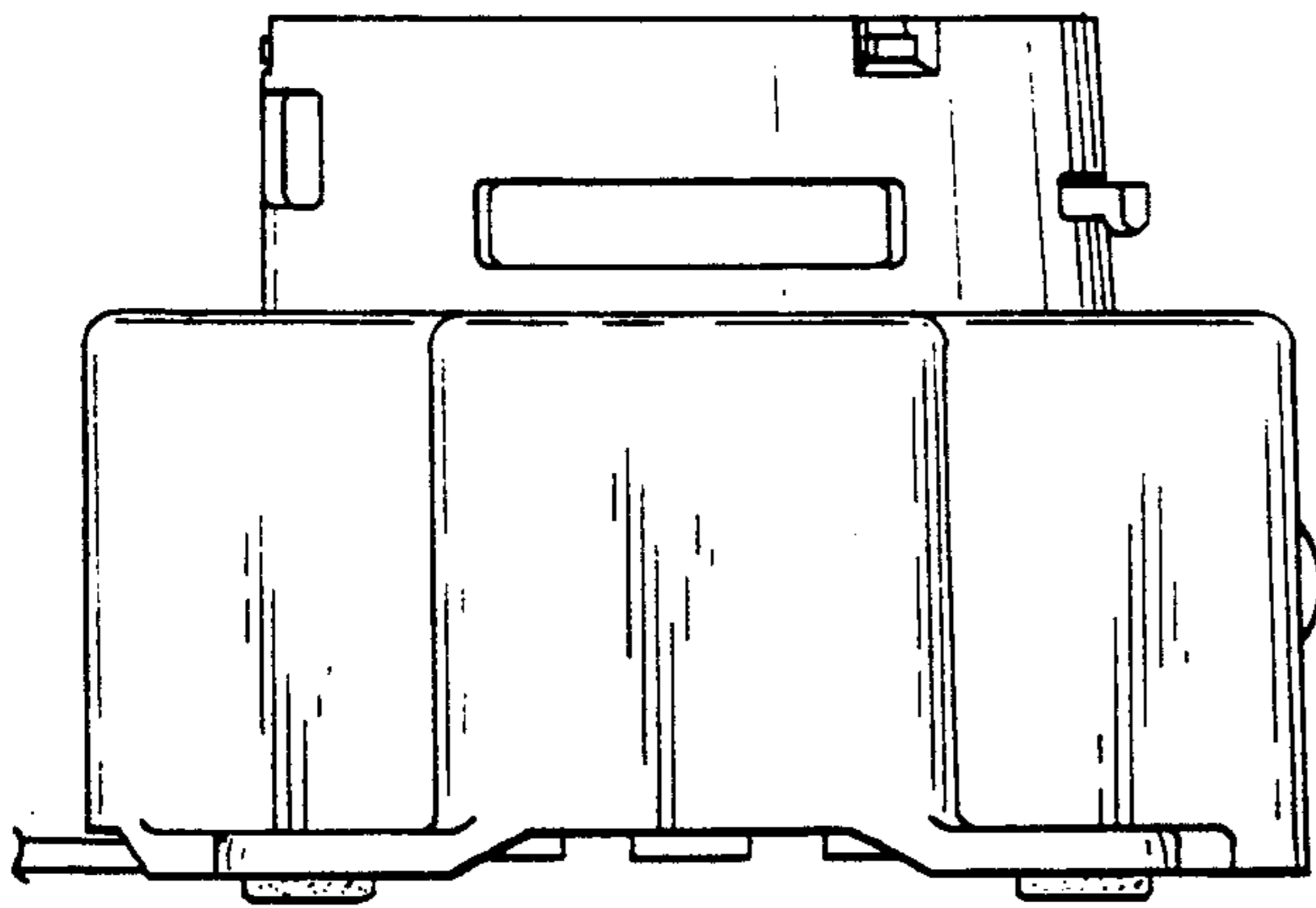
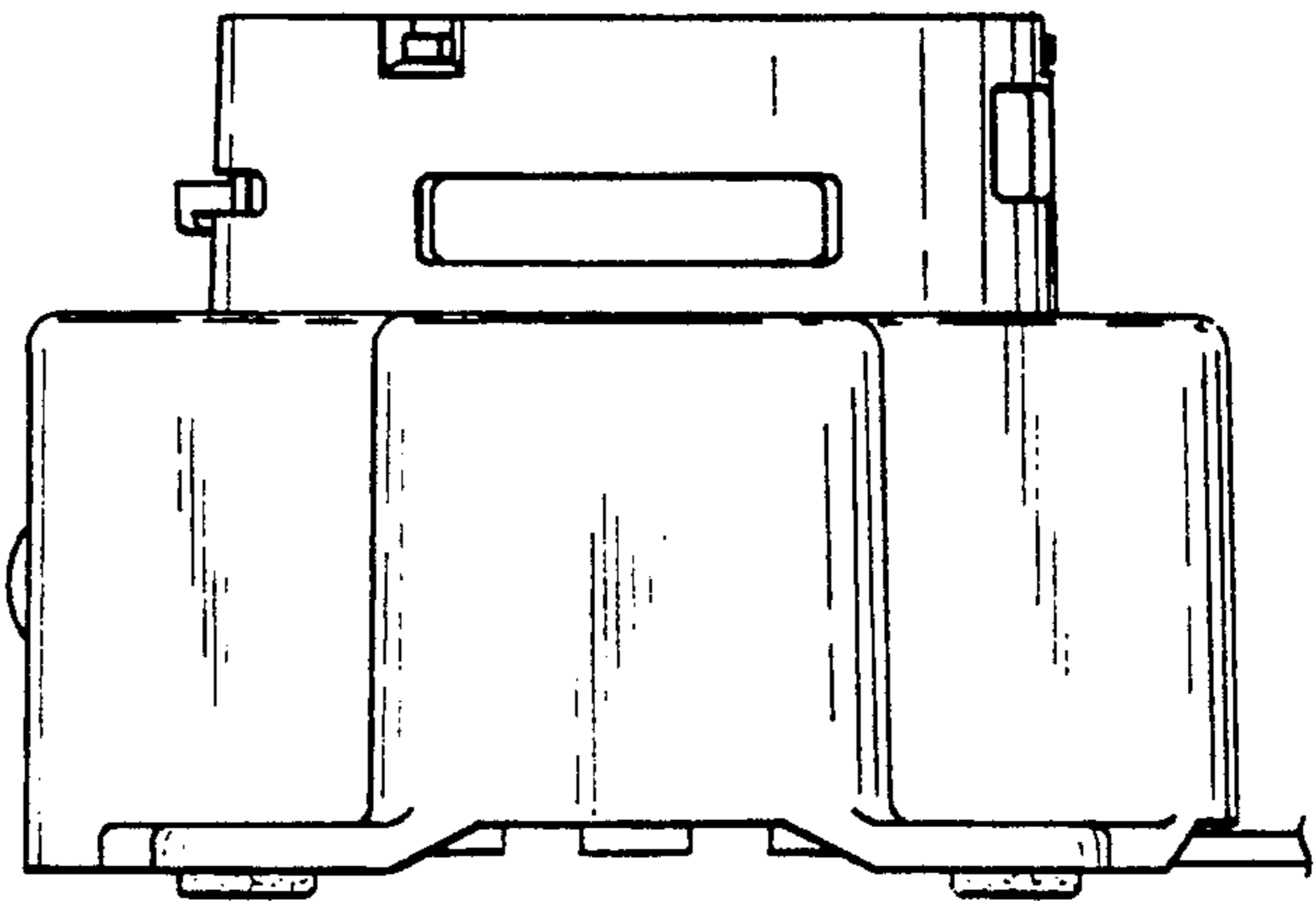


FIG. 12



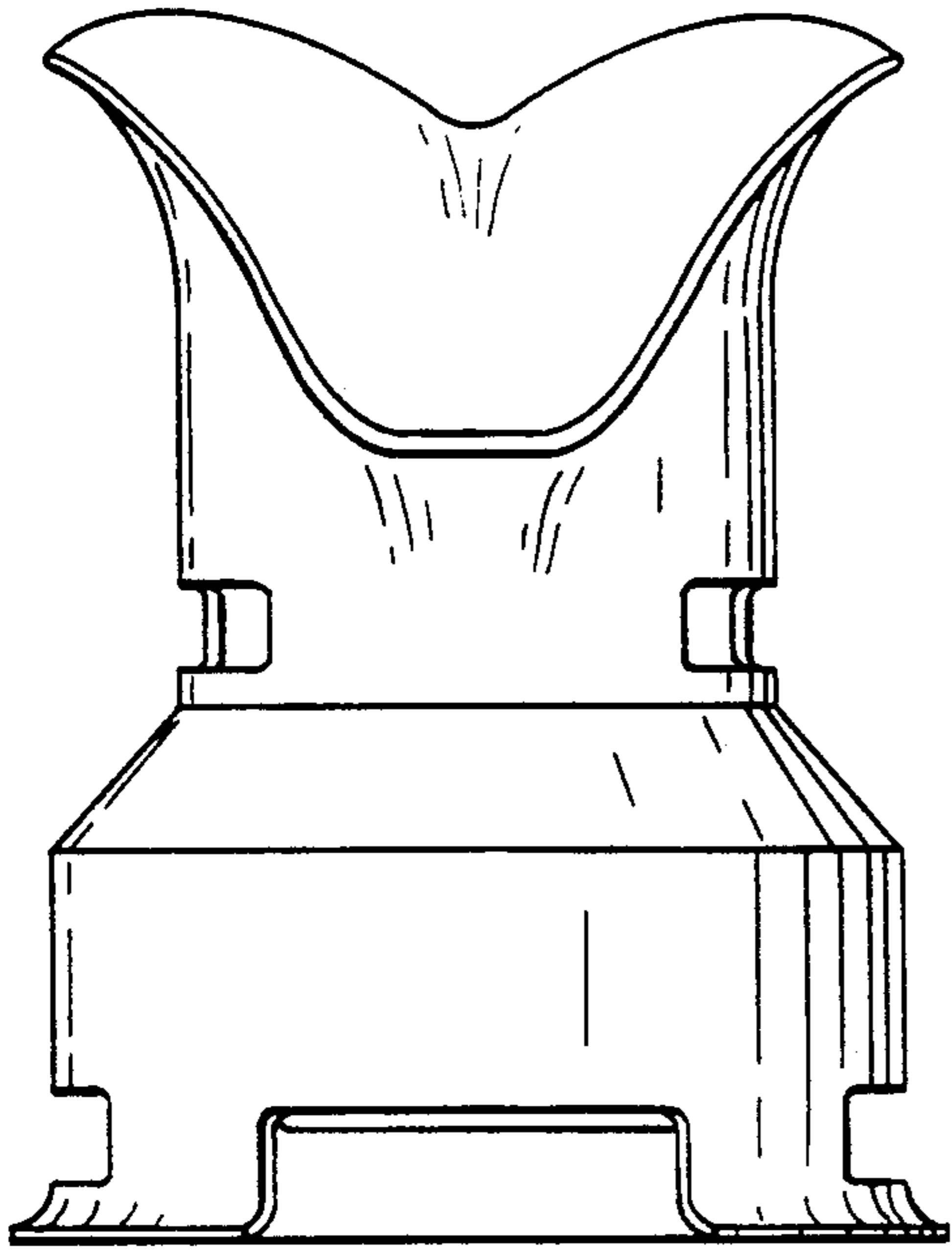


FIG. 16

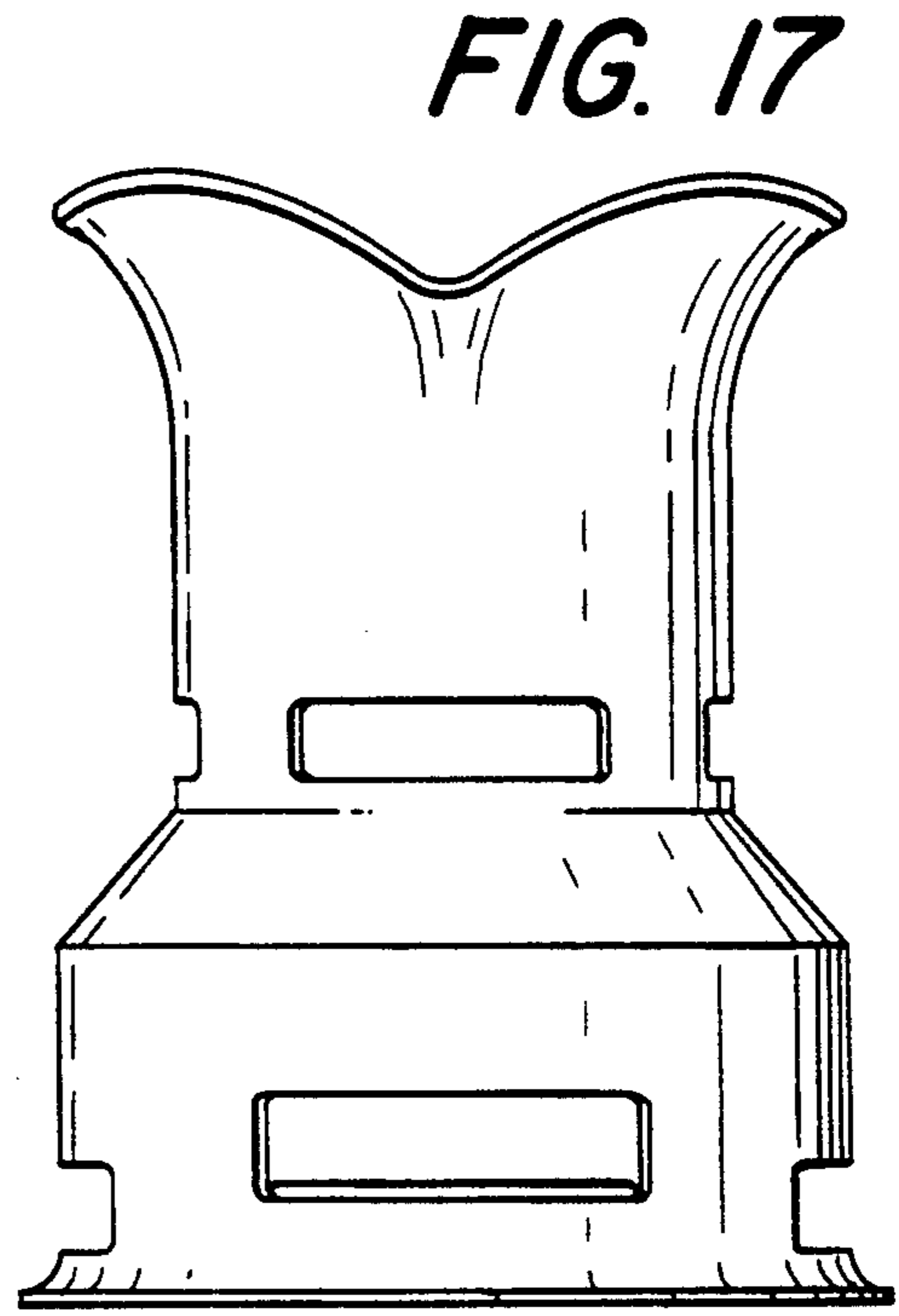


FIG. 17

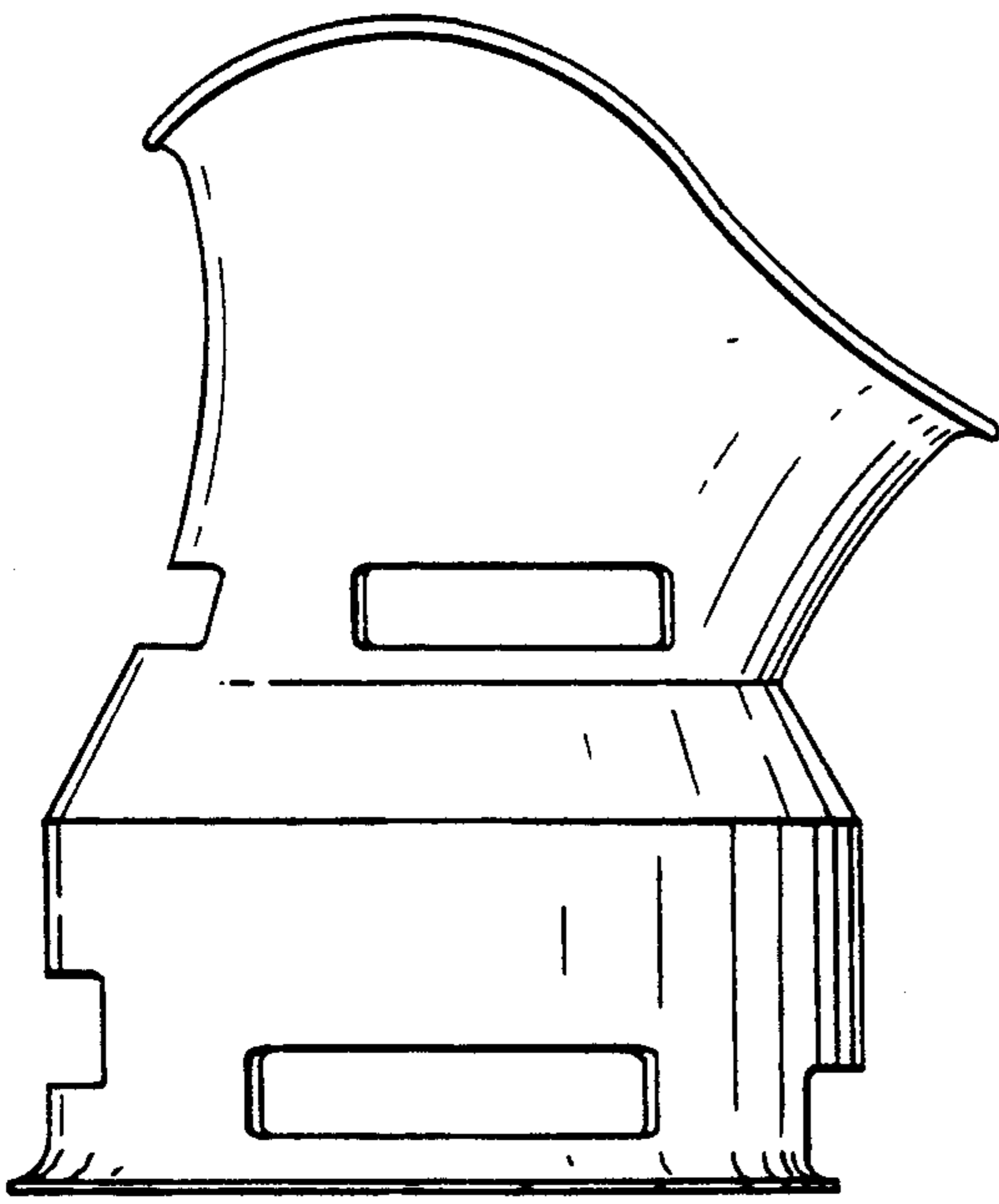


FIG. 18

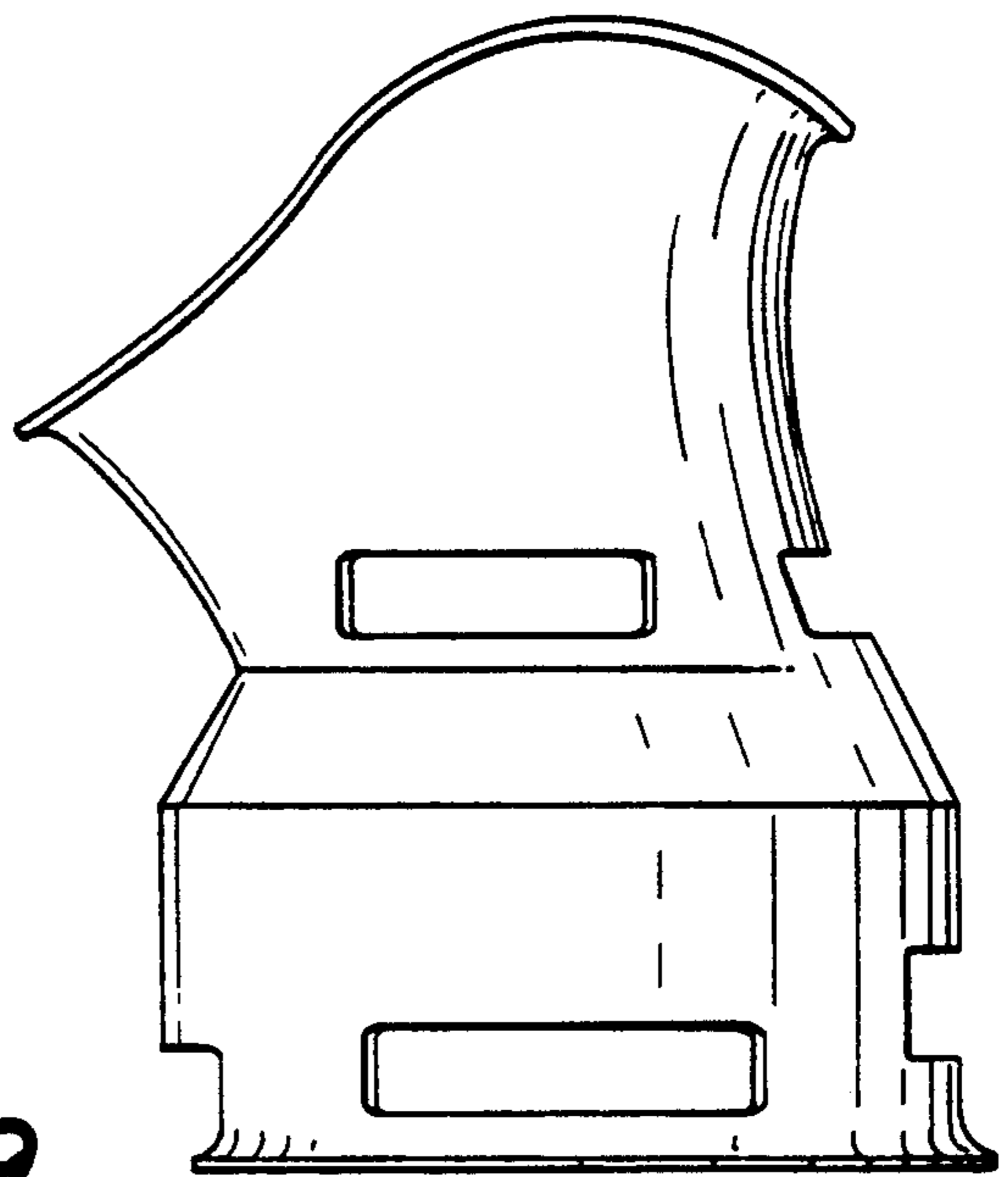


FIG. 19

FIG. 15

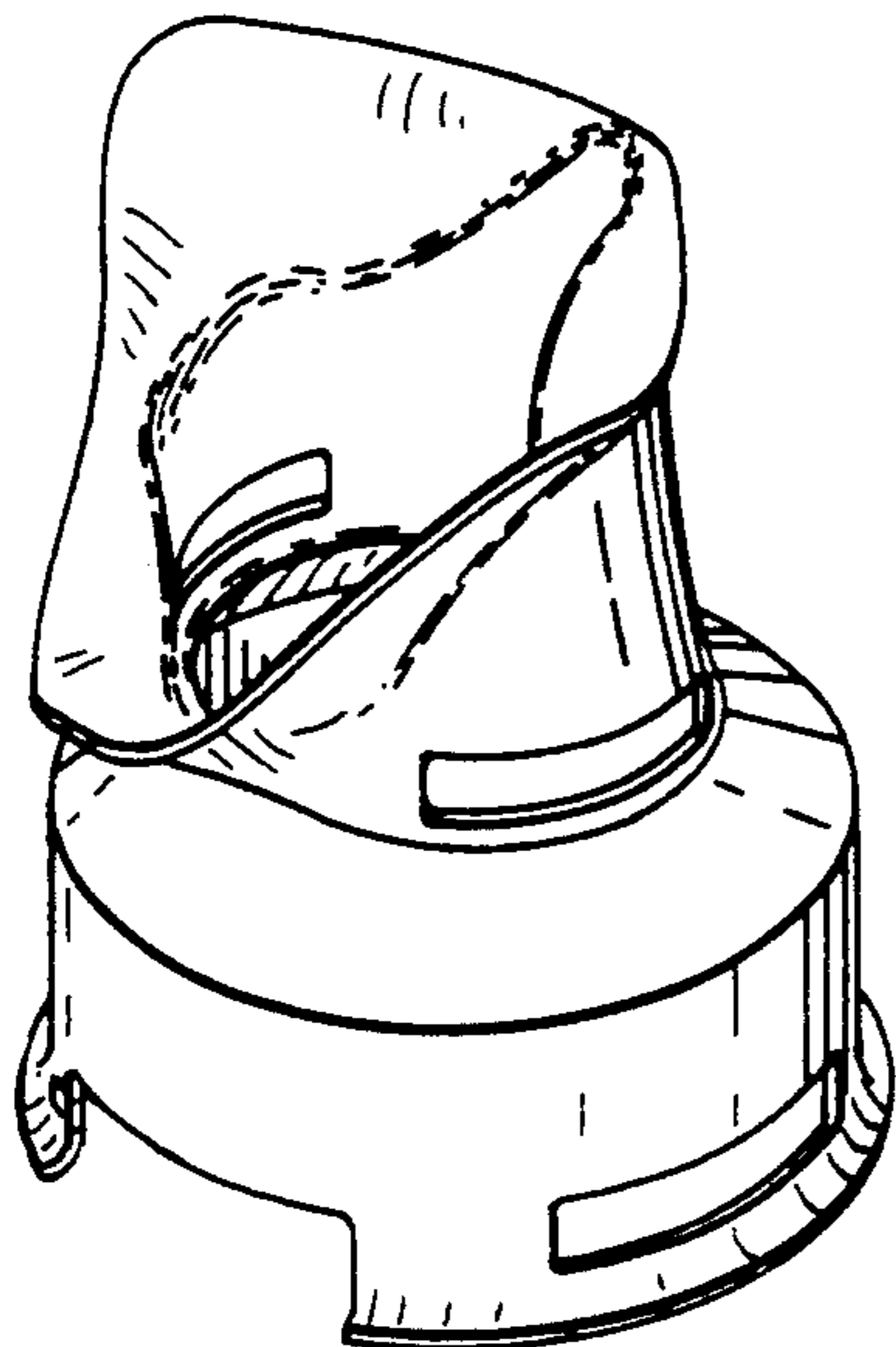


FIG. 20

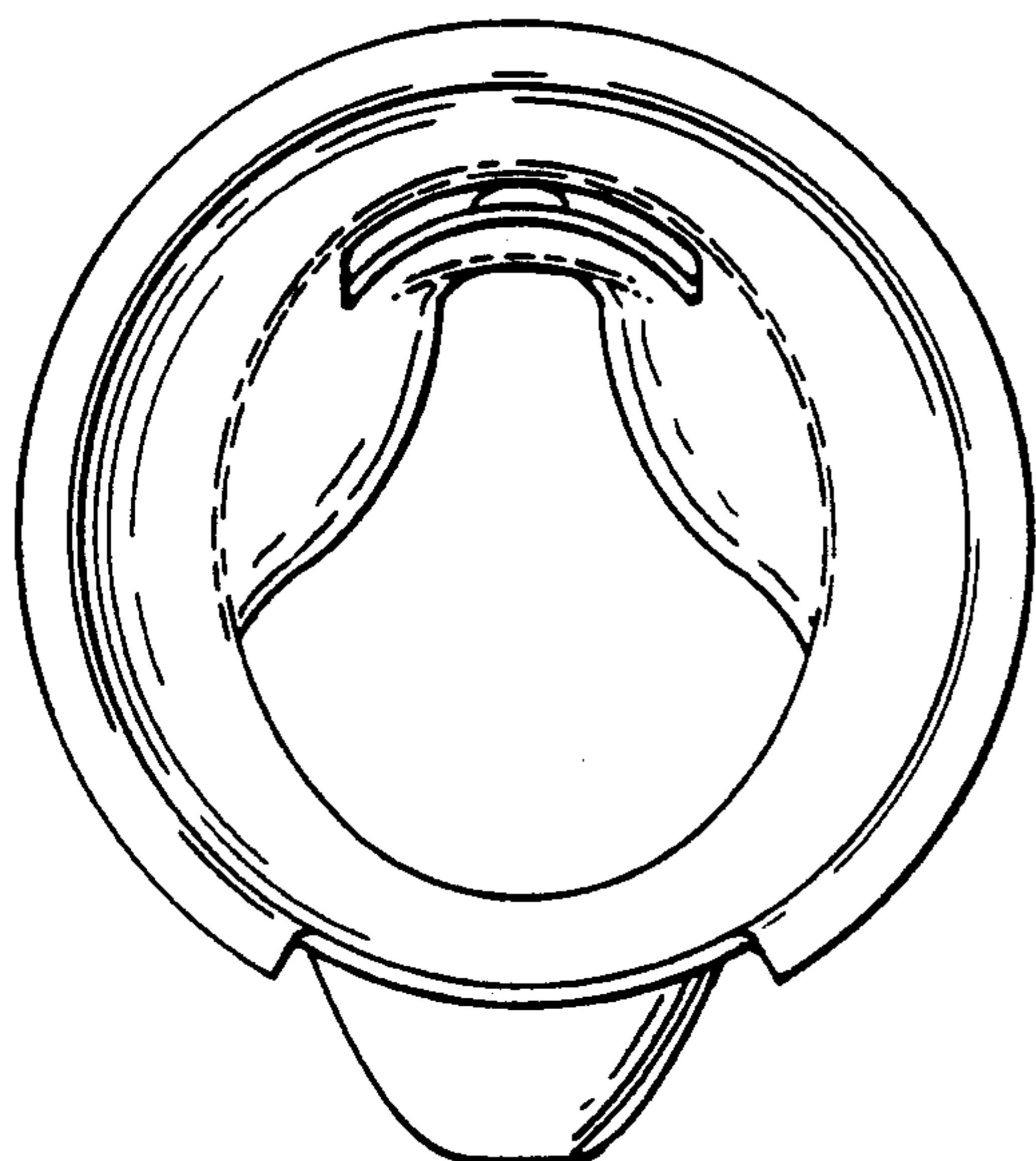
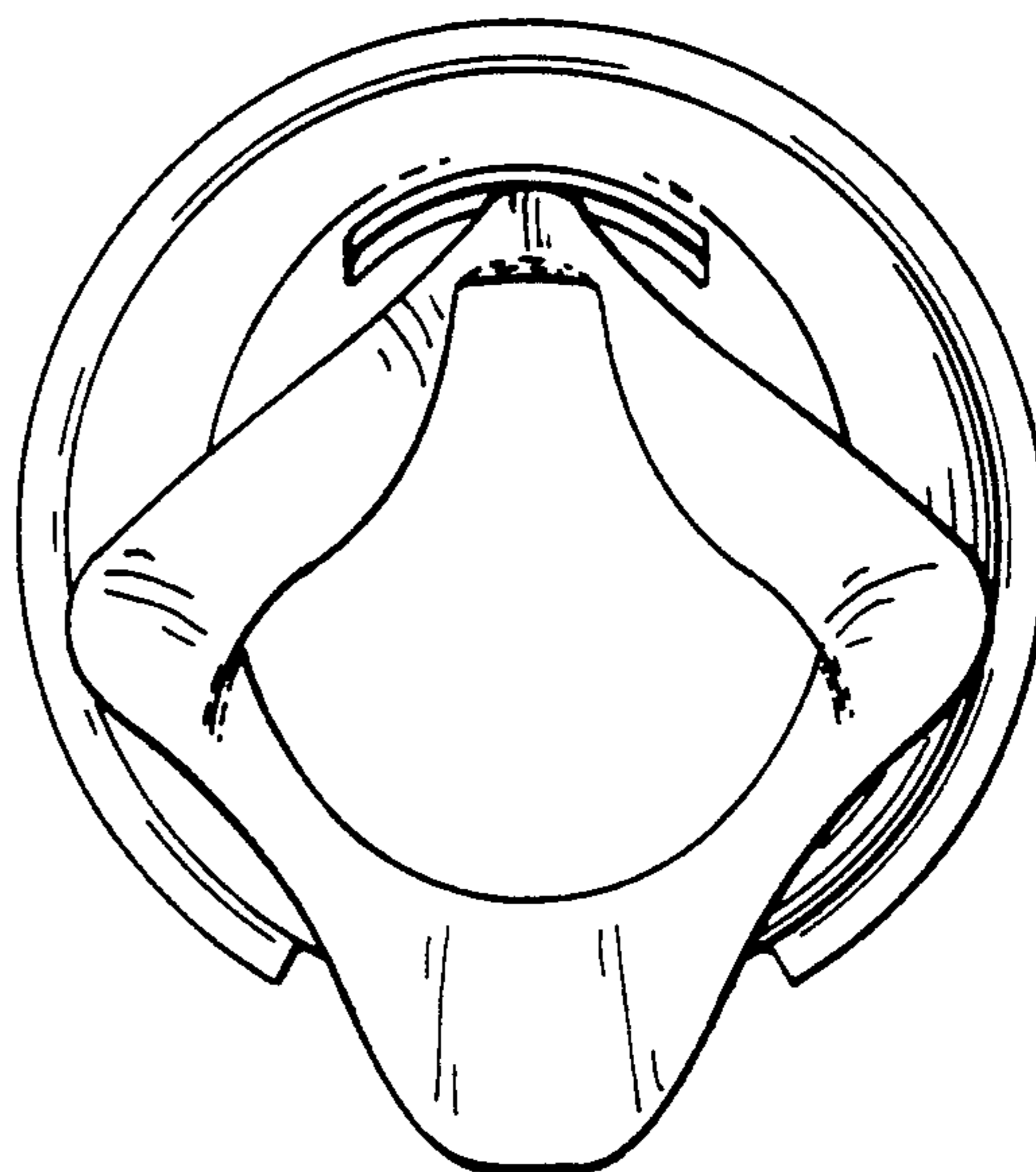


FIG. 21