



US00D326908S

United States Patent [19]

[11] Patent Number: **Des. 326,908**

Gilbert et al.

[45] Date of Patent: **** Jun. 9, 1992**

[54] **DIAGNOSTIC SCANNER CONTROL CONSOLE**

D. 221,365	8/1971	Miller	D24/1.1
D. 228,454	9/1973	Amar	D24/17
D. 228,455	9/1973	Amar	D24/1.1
D. 305,932	2/1990	Nagai et al.	D24/1.1

[75] Inventors: **Robert C. Gilbert**, Chagrin Falls;
Anton Z. Zupancic, Kirtland;
Nicholas C. Wislocki, Cleveland;
Robert A. Cecil, Solon; **Gregory S. Breiding**, Columbus, all of Ohio

Primary Examiner—Wallace R. Burke
Assistant Examiner—Marcus Jackson
Attorney, Agent, or Firm—Fay, Sharpe, Beall, Fagan,
Minnich & McKee

[73] Assignee: **Picker International, Inc.**, Highland Heights, Ohio

[57] CLAIM

[**] Term: **14 Years**

The ornamental design for a diagnostic scanner control console, as shown and described.

[21] Appl. No.: **276,440**

DESCRIPTION

[22] Filed: **Nov. 23, 1988**

[52] U.S. Cl. **D24/107**

[58] Field of Search **D24/1.1, 17, 111, 107, D24/108; 128/630, 637; 422/50, 101; D14/100, 101, 102; 436/518; 356/39, 40; 73/864.23, 864.24; 378/9-20**

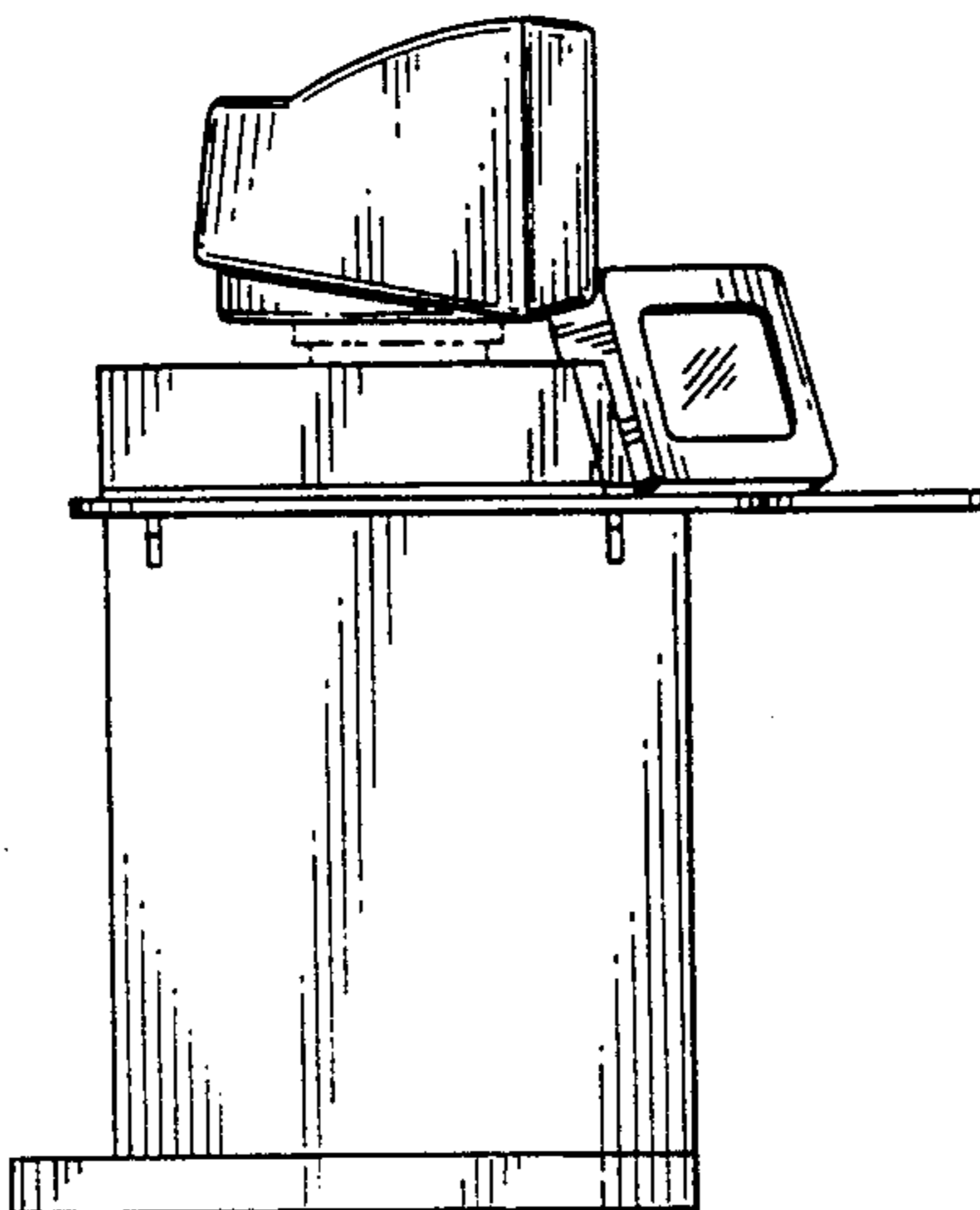
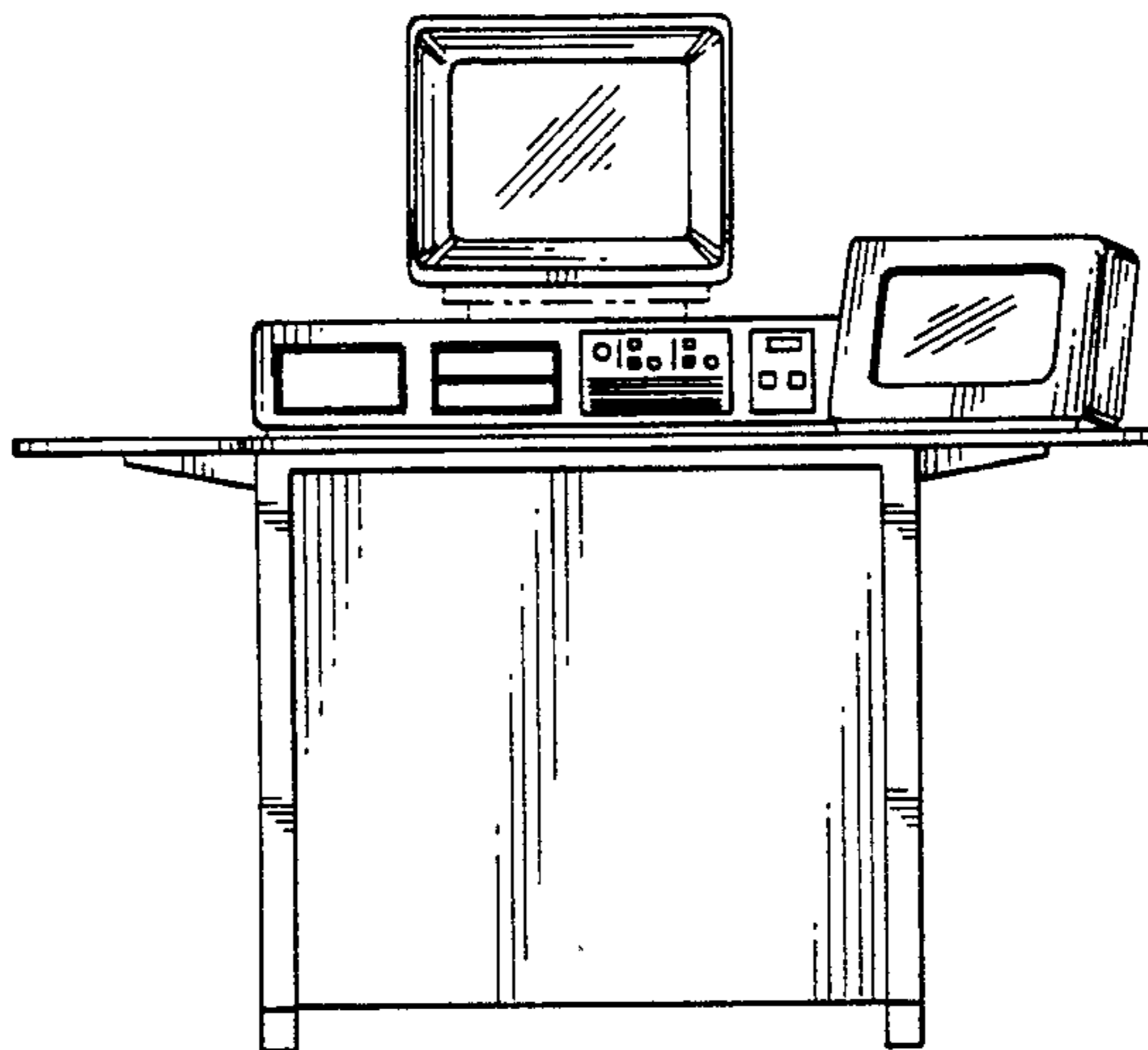
FIG. 1 is a top plan view of a diagnostic scanner control console showing our new design; FIG. 2 is a front elevational view thereof; FIG. 3 is a left side elevational view thereof; FIG. 4 is a right side elevational view thereof; FIG. 5 is a rear elevational view thereof; and, FIG. 6 is a bottom plan view thereof.

[56] References Cited

U.S. PATENT DOCUMENTS

D. 113,653 3/1939 Bogle D24/1.1

The broken lines shown in FIGS. 2, 3, 4 and 5 are for illustrative purposes only and form no part of the claimed design.



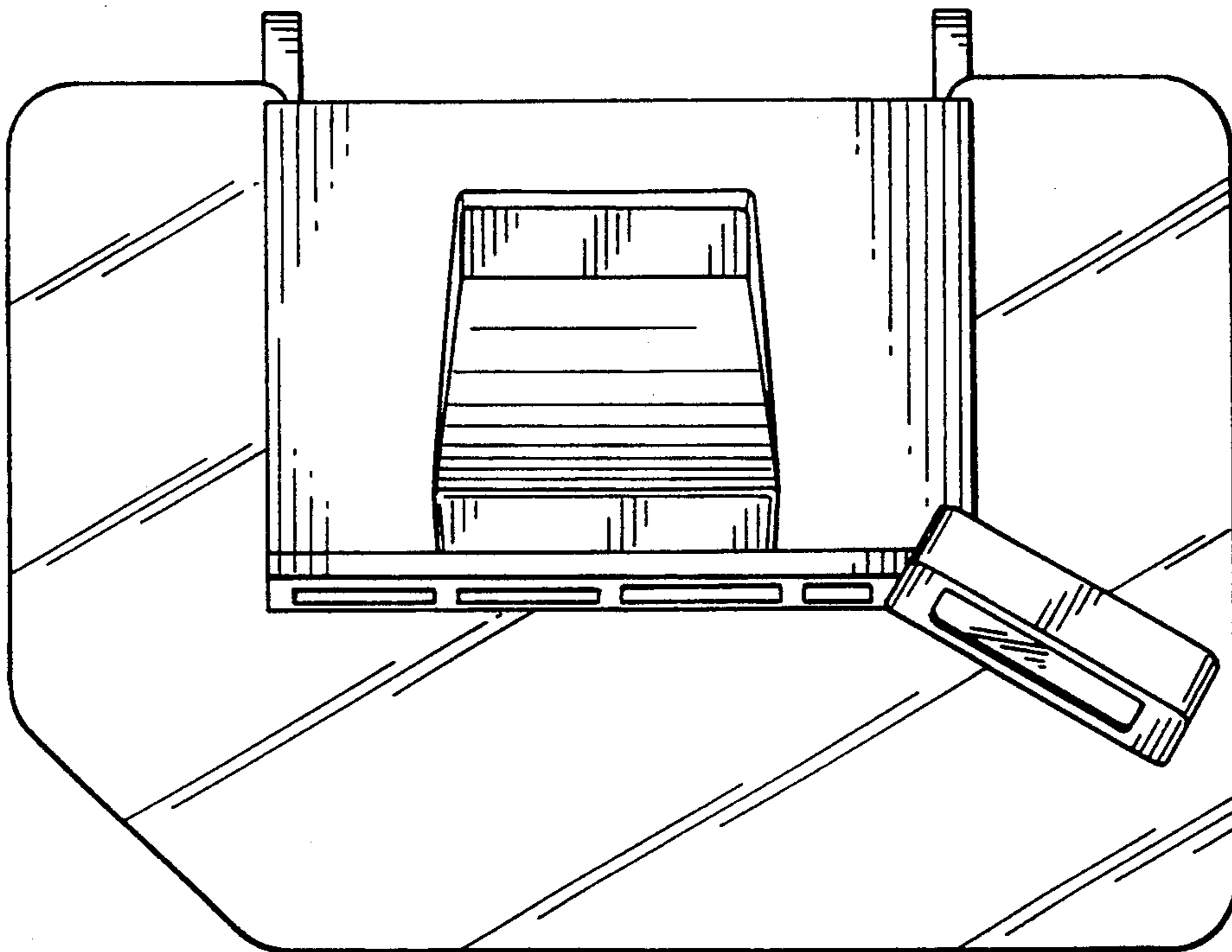


FIG. 1

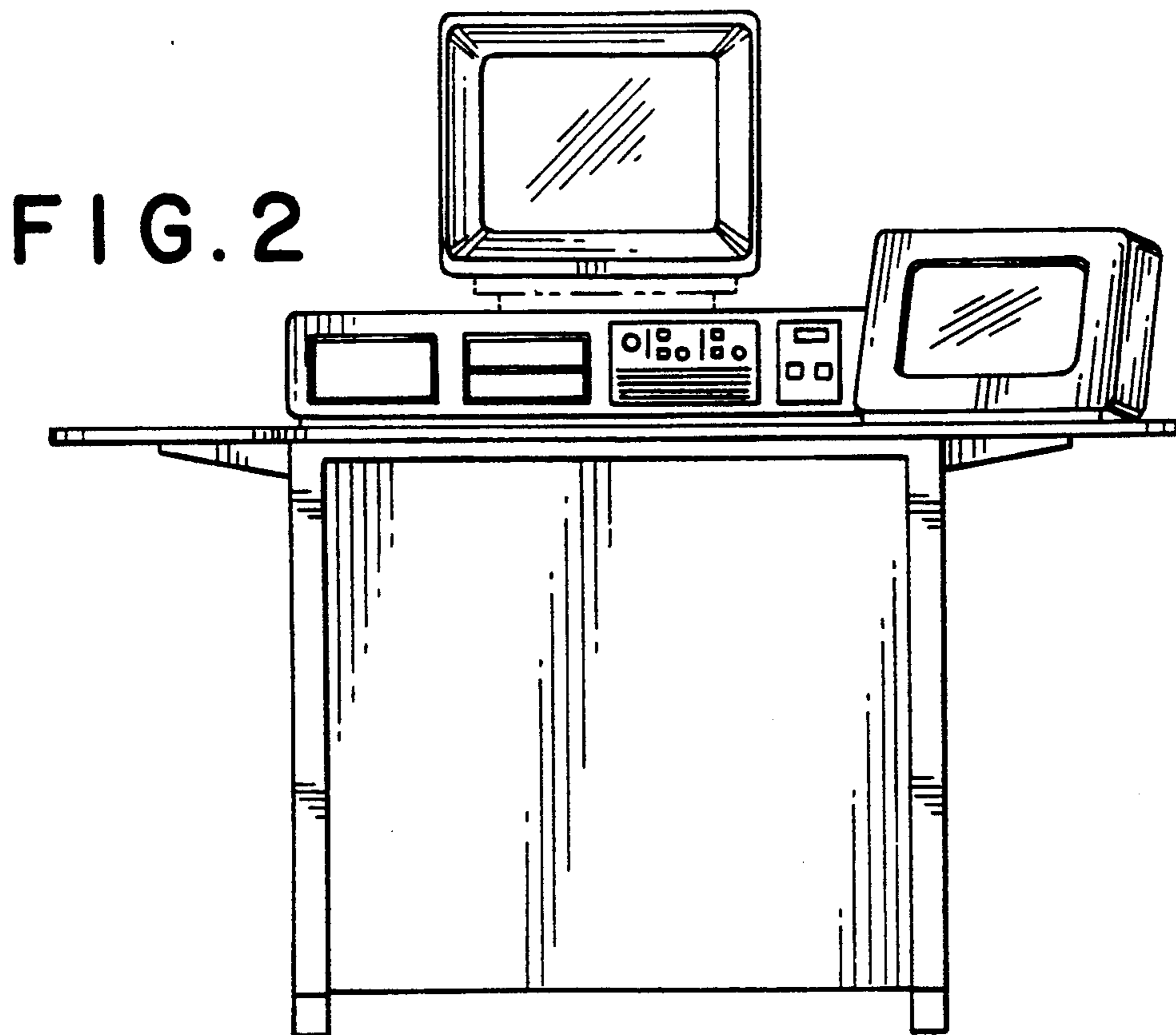


FIG. 2

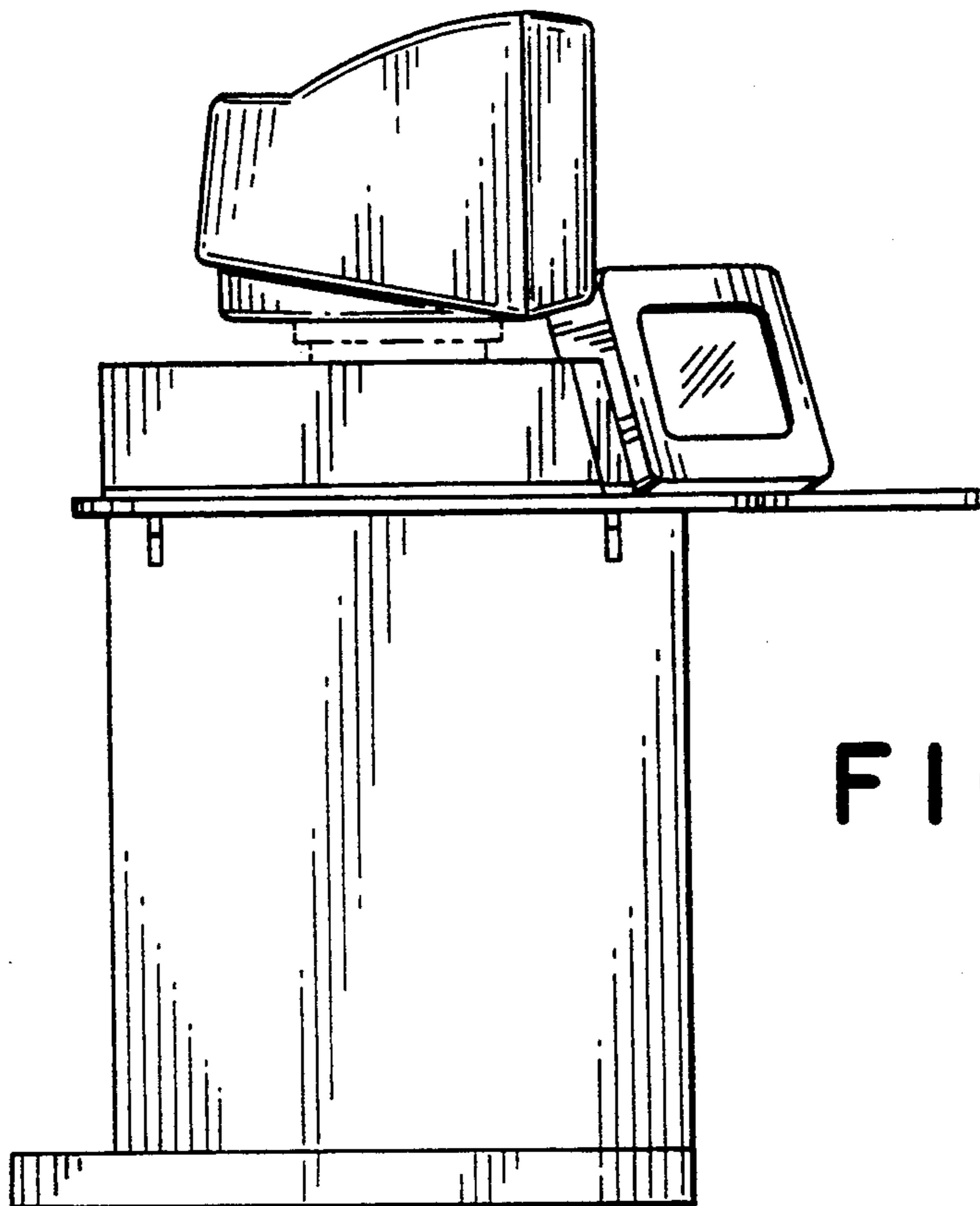


FIG. 3

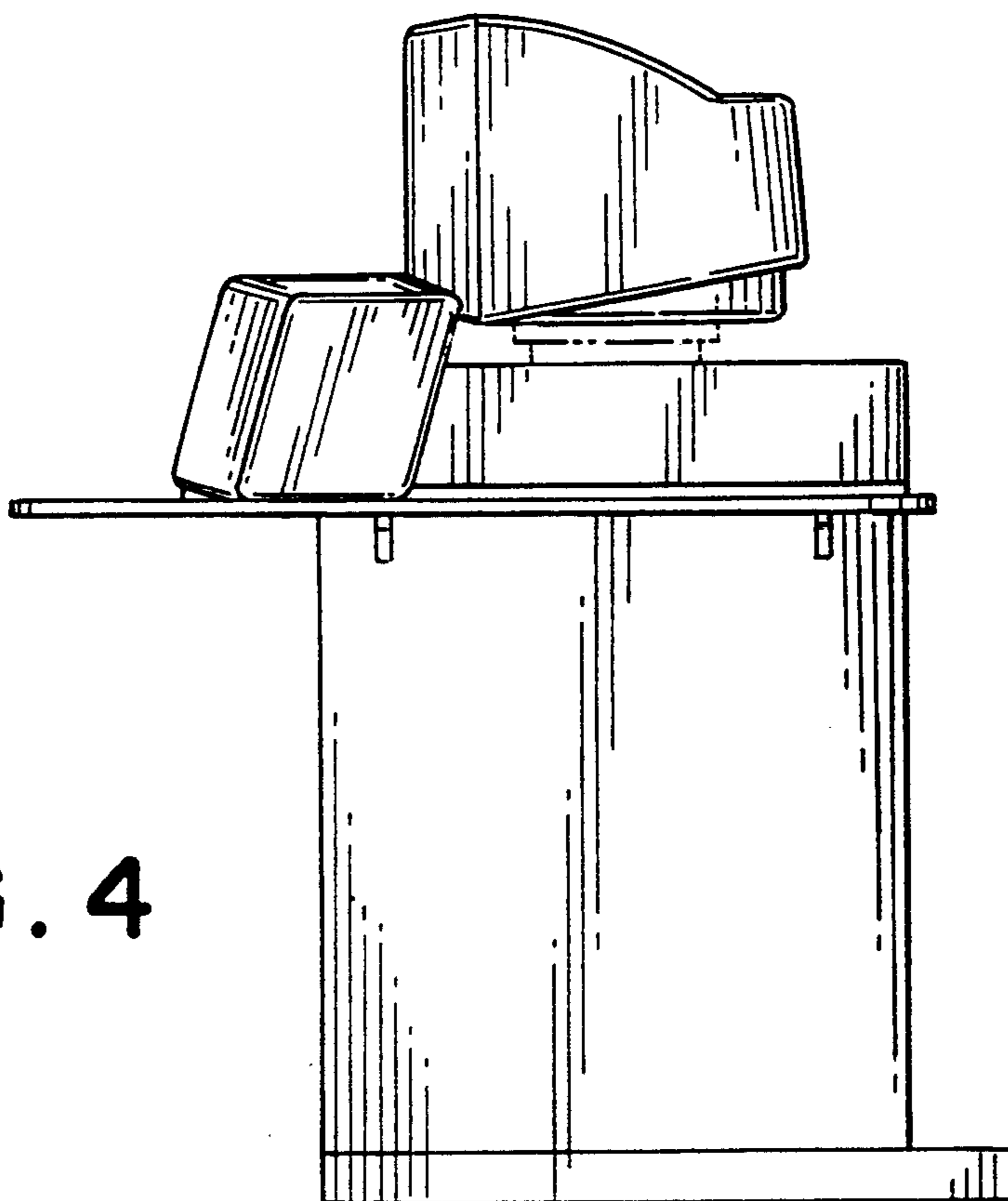


FIG. 4

FIG. 5

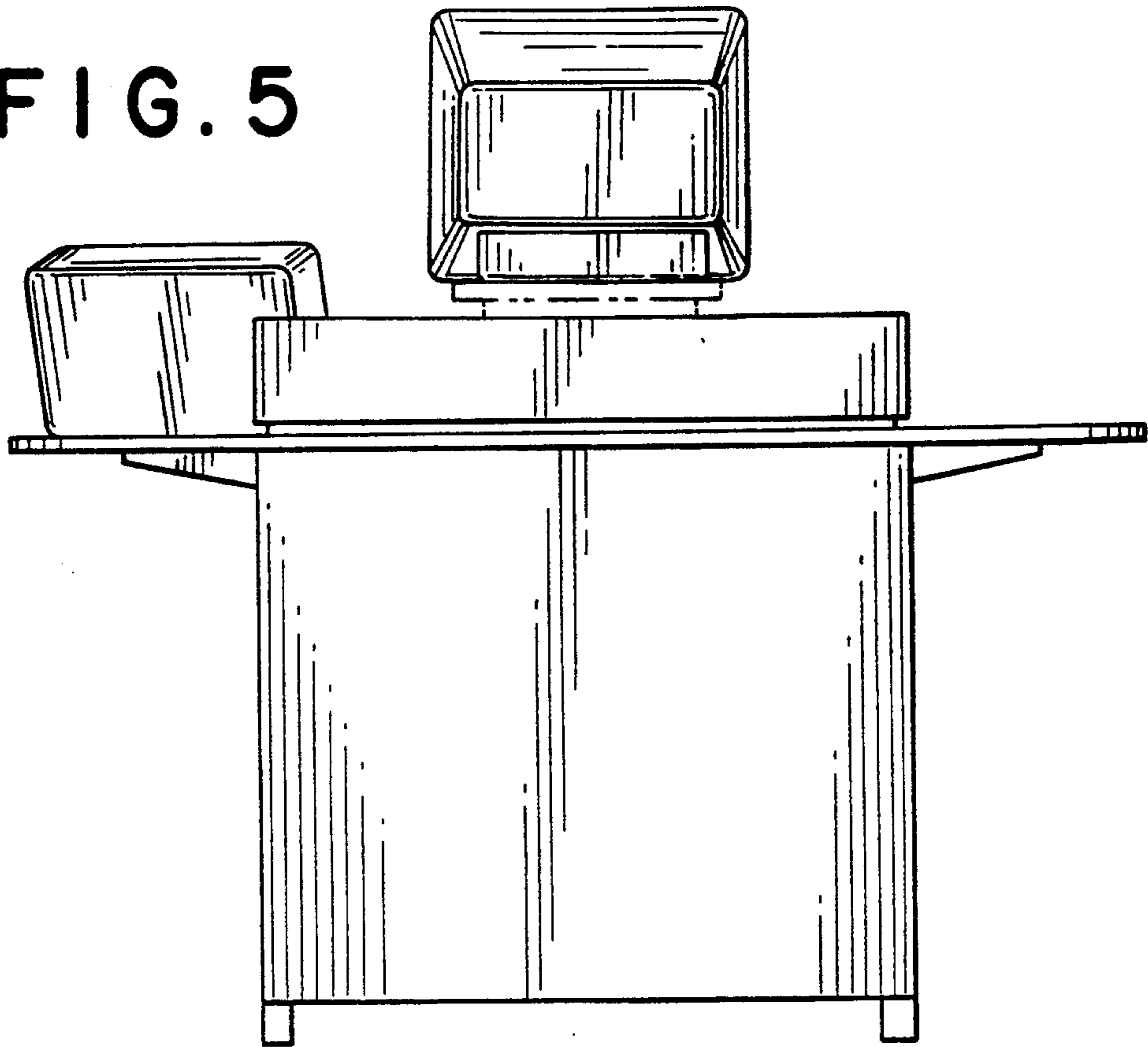


FIG. 6

