



US00D326902S

United States Patent [19] Bonnell

[11] Patent Number: **Des. 326,902**
[45] Date of Patent: **** Jun. 9, 1992**

[54] **SINK**
[75] Inventor: **Thomas A. Bonnell, Sheboygan, Wis.**
[73] Assignee: **Kohler Co., Kohler, Wis.**
[**] Term: **14 Years**
[21] Appl. No.: **472,514**
[22] Filed: **Jan. 30, 1990**
[52] U.S. Cl. **D23/284**
[58] Field of Search **D23/271-274,
D23/284-294; 4/619, 625-642, 652, 654, 665**

Page 26 of Elkay brochure, undated, admitted prior art, showing the LRA-2522-C sink.
Page 10-8 of the Kohler Co. K-400 catalog, Sep. 1986, showing the "Delafield" sink.
Page from a Franke brochure, undated, admitted prior art, showing the PR 600 sink.

Primary Examiner—James R. Largen
Attorney, Agent, or Firm—Quarles & Brady

[57] CLAIM

The ornamental design for a sink, as shown and described.

[56] References Cited

U.S. PATENT DOCUMENTS

D. 113,232	2/1939	Love	D23/294
D. 198,305	6/1964	Graning, Jr.	D23/290
D. 218,606	9/1970	Lion	D23/284
D. 234,199	1/1975	Stairs, Jr.	D23/294
D. 234,427	3/1975	Stairs, Jr.	D23/294

OTHER PUBLICATIONS

Sweets Architectural File 1975, Sec. 15.16 El, p. 2, lower right in K#CR-2522.

DESCRIPTION

FIG. 1 is a perspective view taken from the top, front and right side of a sink showing my new design;
FIG. 2 is a top plan view thereof;
FIG. 3 is a cross-sectional view taken on line 3-3 of FIG. 2; and,
FIG. 4 is a cross-sectional view taken on line 4-4 of FIG. 2.

The fragmentary broken line representation of a countertop in FIG. 1 is for the purposes of illustration only and forms no part of the claimed design.

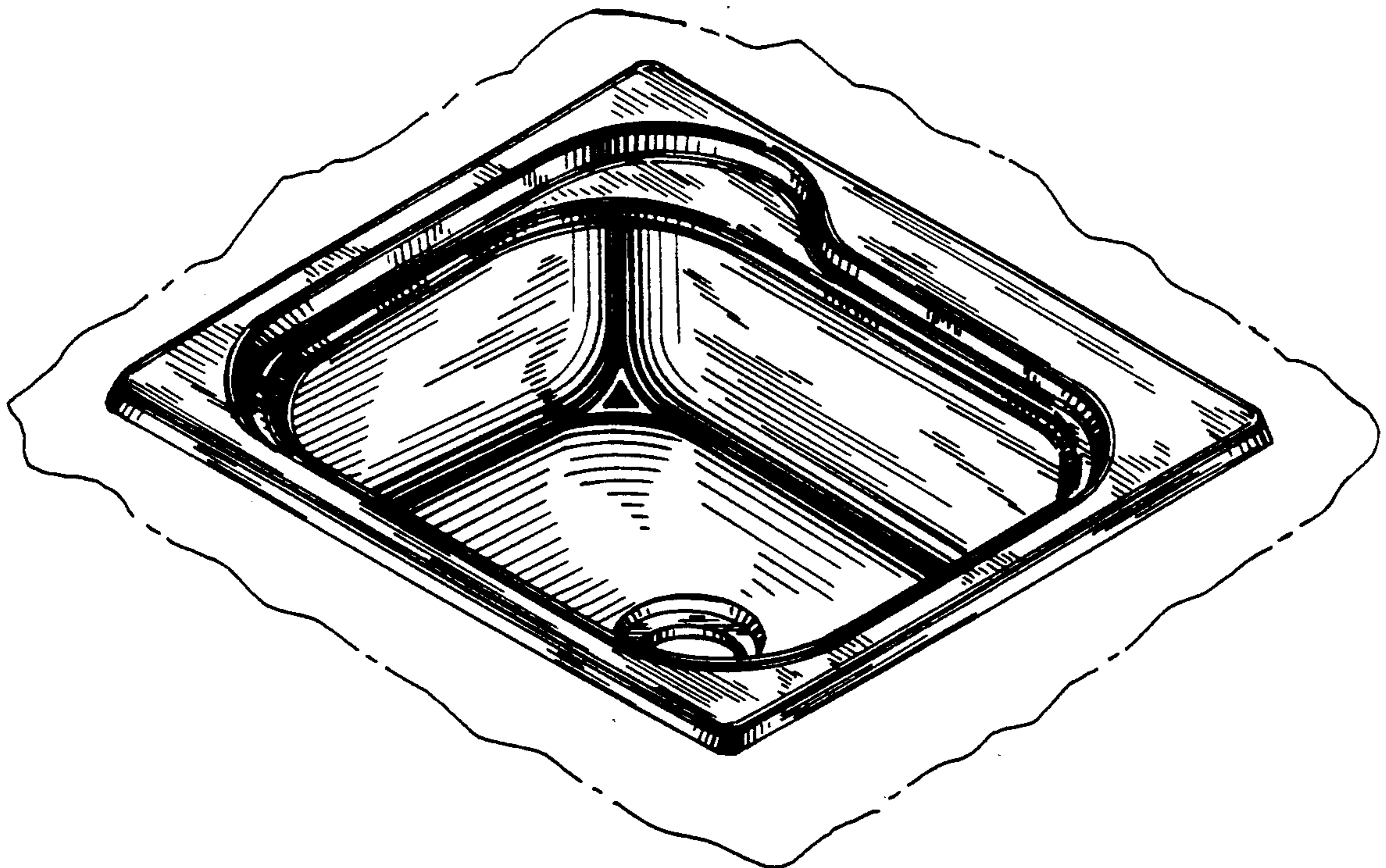


FIG. 1

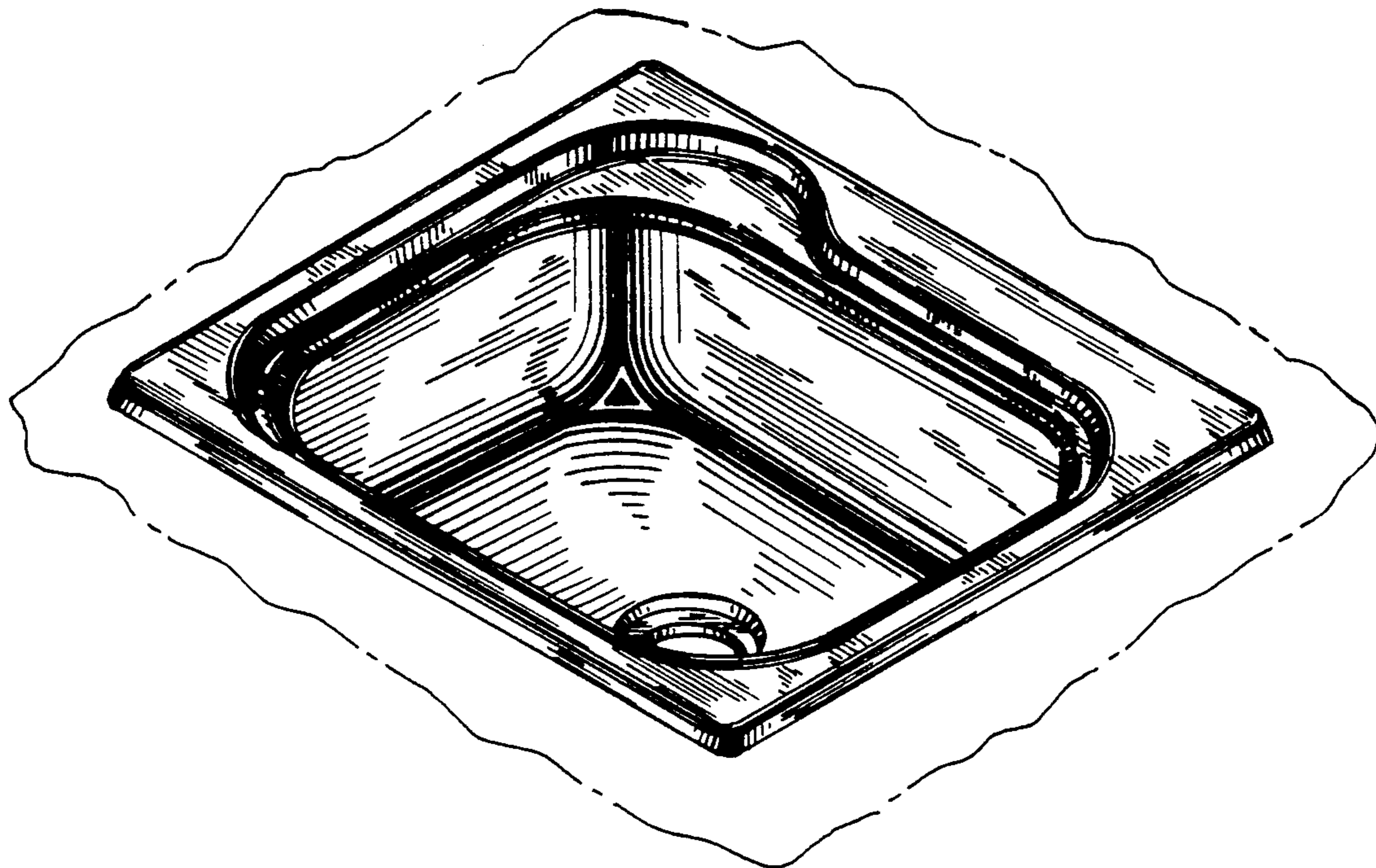


FIG. 4



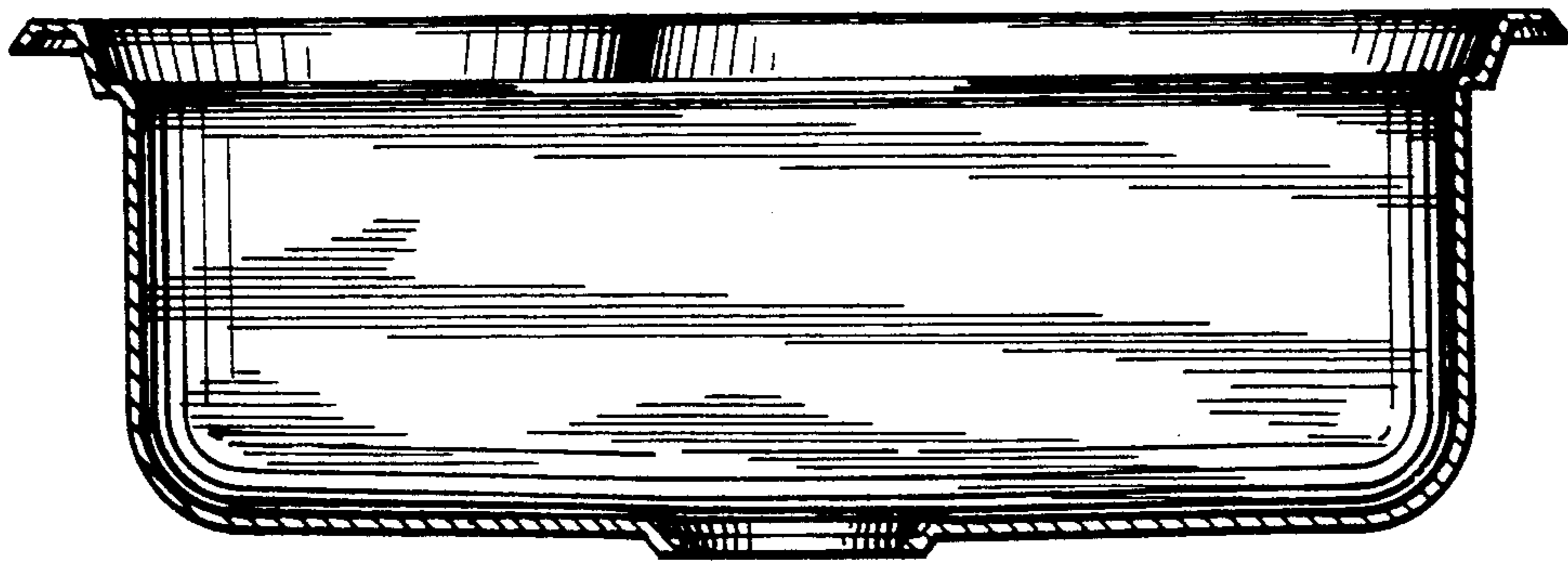
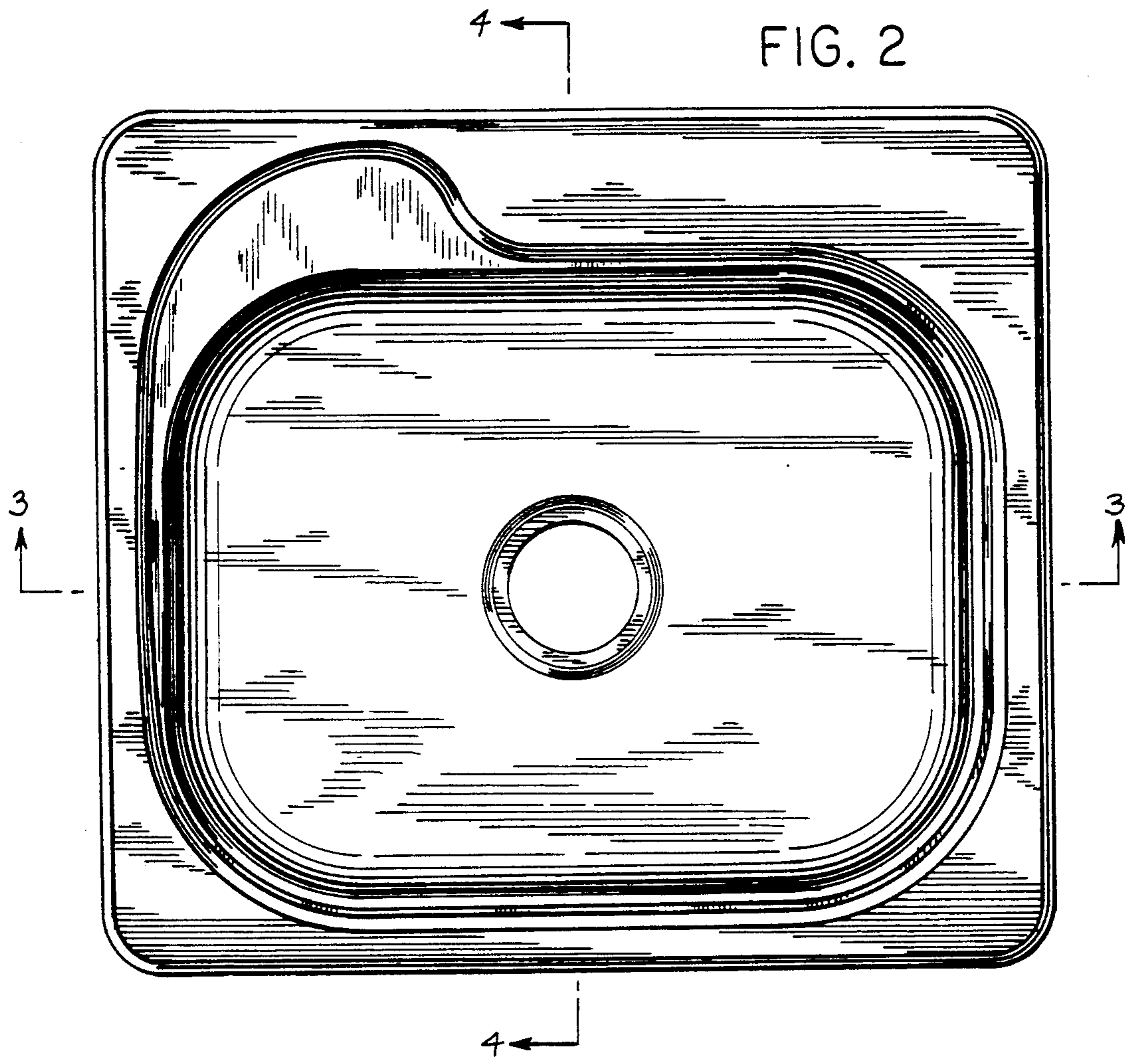


FIG. 3