



US00D326896S

United States Patent [19]

[11] Patent Number: **Des. 326,896**

McNeely

[45] Date of Patent: **** Jun. 9, 1992**

- [54] **COMBINED SHOWER HEAD AND MOISTURIZER DISPENSER**
- [76] Inventor: **John M. McNeely**, 10292 Danvers, Concord, Ohio 44077-2103
- [**] Term: **14 Years**
- [21] Appl. No.: **564,552**
- [22] Filed: **Aug. 9, 1990**
- [52] U.S. Cl. **D23/228; D23/213**
- [58] Field of Search **D23/213, 223-229; 4/191-192, 567-570, 599-603, 596, 615; 239/276, 280-283, 288.5, 310, 443-449, 456-460, 525, 550-552, 556-559, 567-569, 581.1**

- 4,193,520 3/1980 Duffield 239/310 X
- 4,218,013 8/1980 Davison 239/282 X
- 4,933,080 6/1990 Rundzaitis et al. 4/615 X

Primary Examiner—Susan J. Lucas
Assistant Examiner—M. H. Tung
Attorney, Agent, or Firm—Terry M. Gernstein

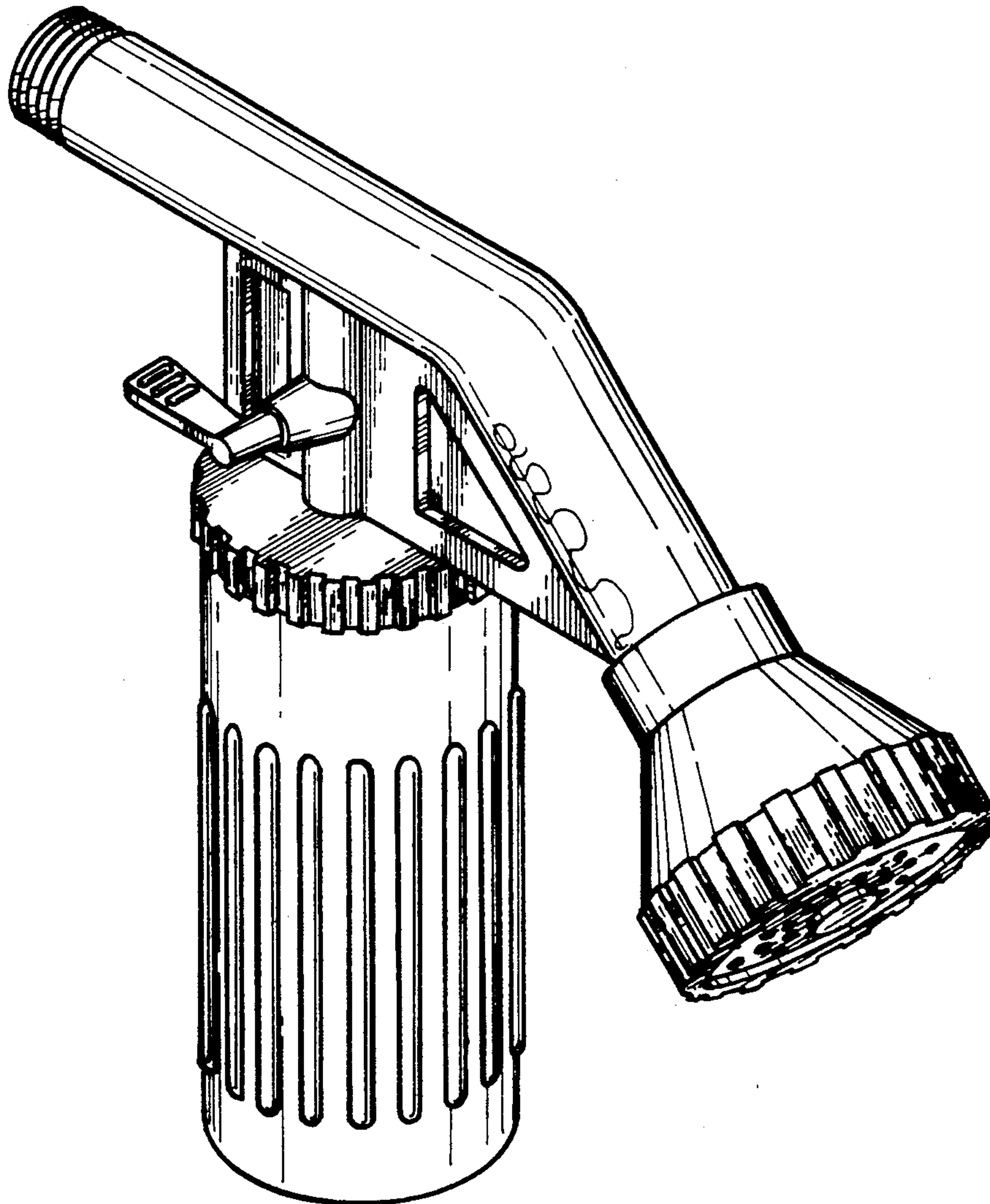
[57] CLAIM

The ornamental design for a combined shower head and moisturizer dispenser, as shown and described.

DESCRIPTION

FIG. 1 is a perspective view of a combined shower head and moisturizer dispenser showing my design; FIG. 2 is a front elevational view thereof; FIG. 3 is a rear elevational view thereof; FIG. 4 is a side elevational view thereof; FIG. 5 is an opposite side elevational view thereof; FIG. 6 is a top plan view thereof; and, FIG. 7 is a bottom plan view thereof.

- [56] **References Cited**
U.S. PATENT DOCUMENTS
 3,207,445 9/1965 Court et al. 239/310 X



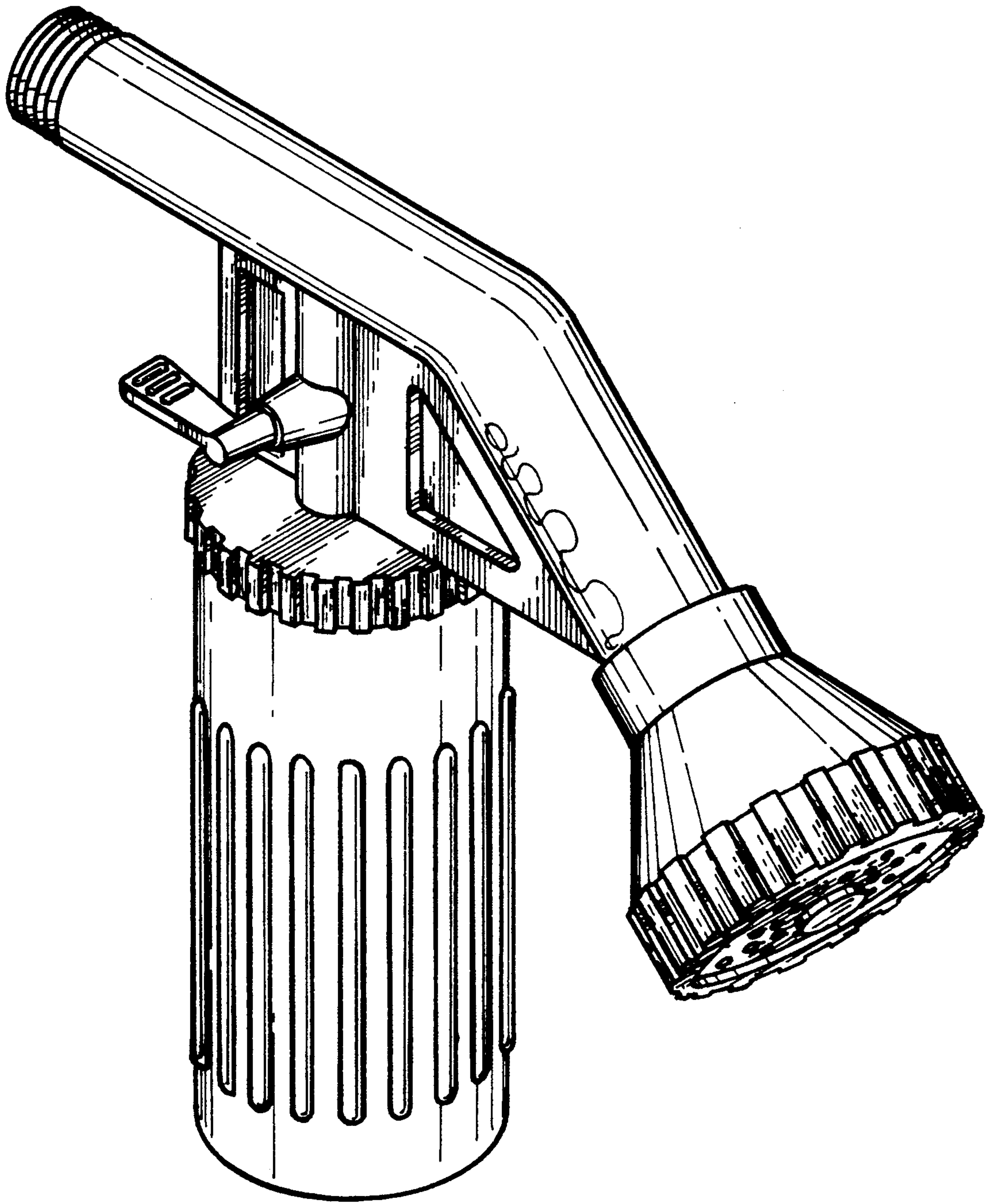


FIG. 1

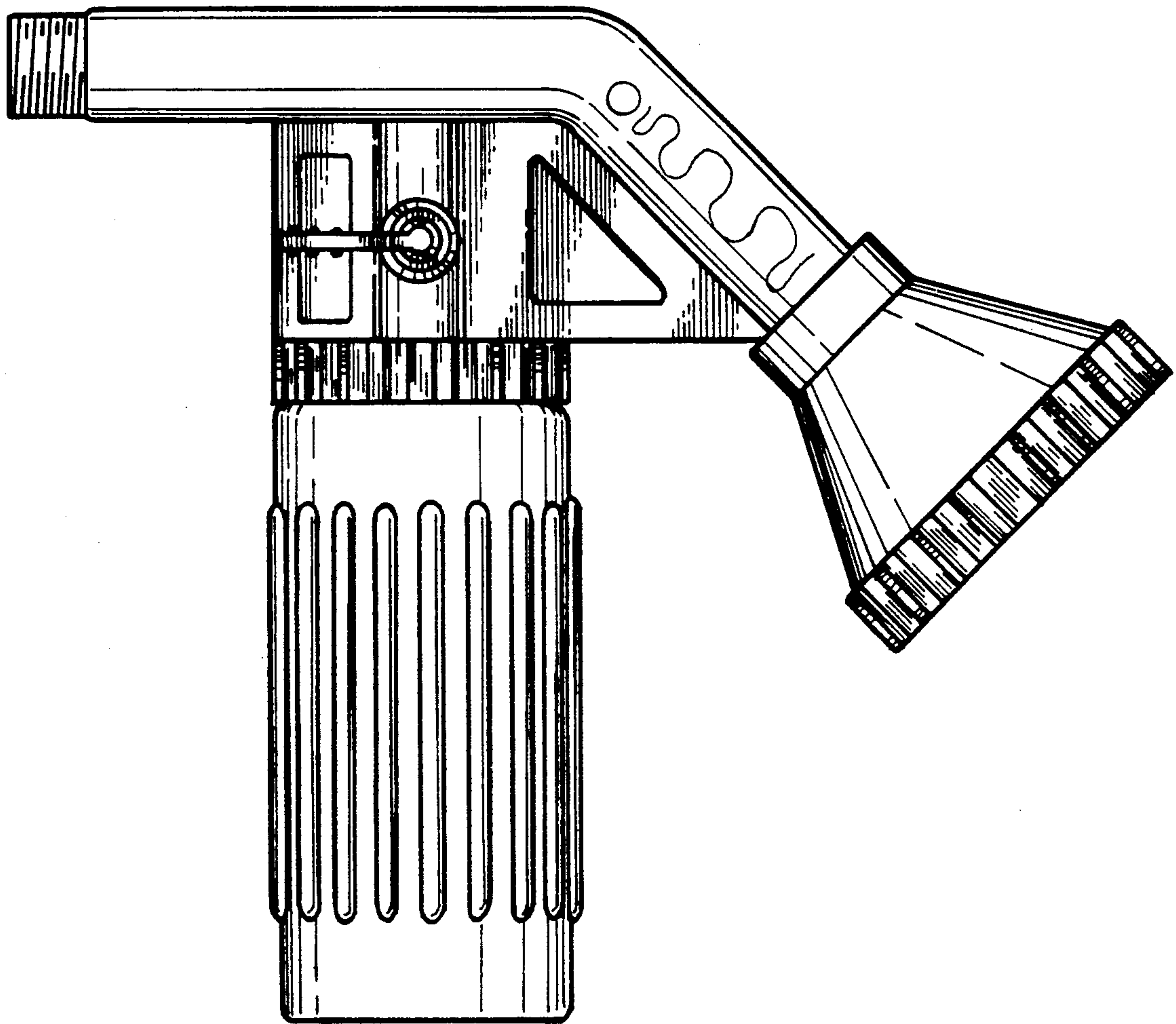


FIG. 2

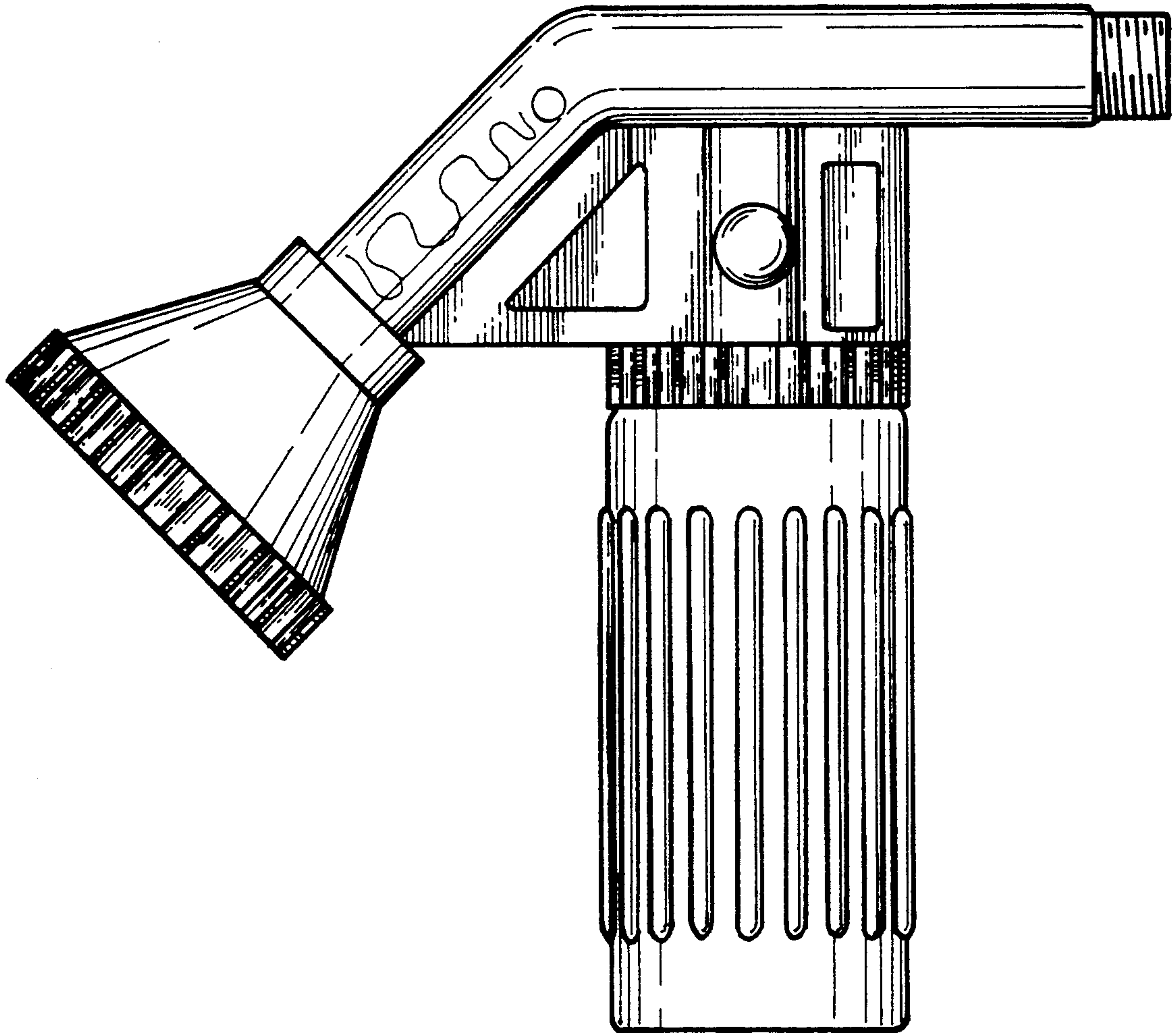


FIG. 3

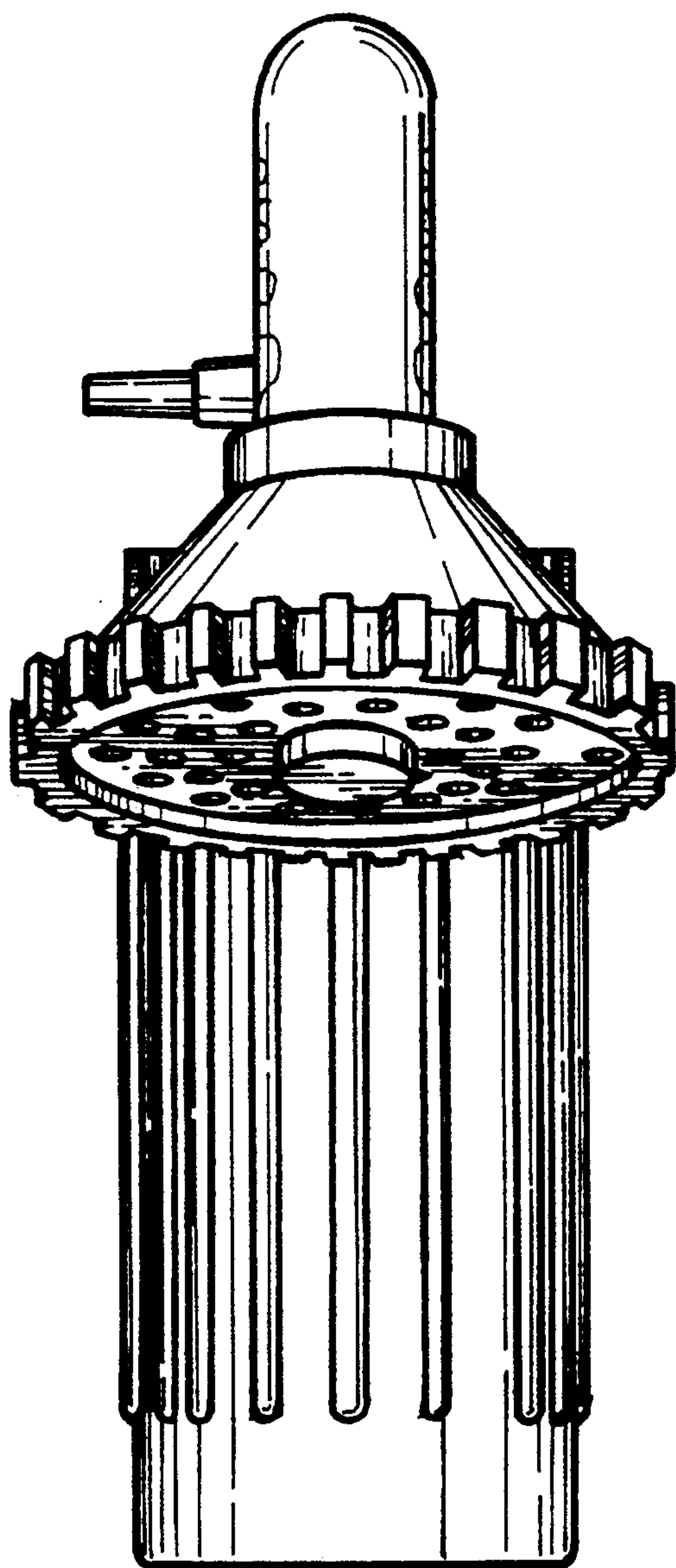


FIG. 4

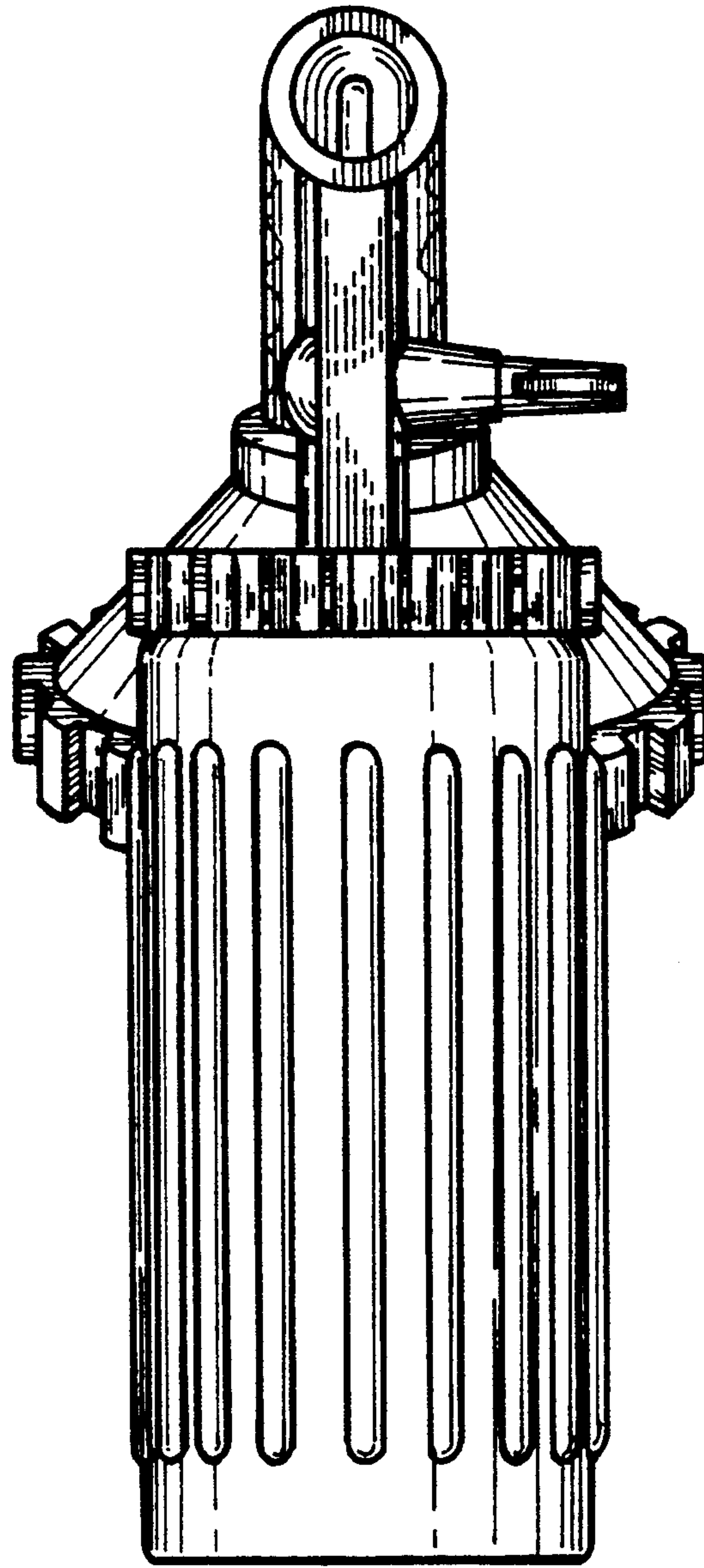


FIG. 5

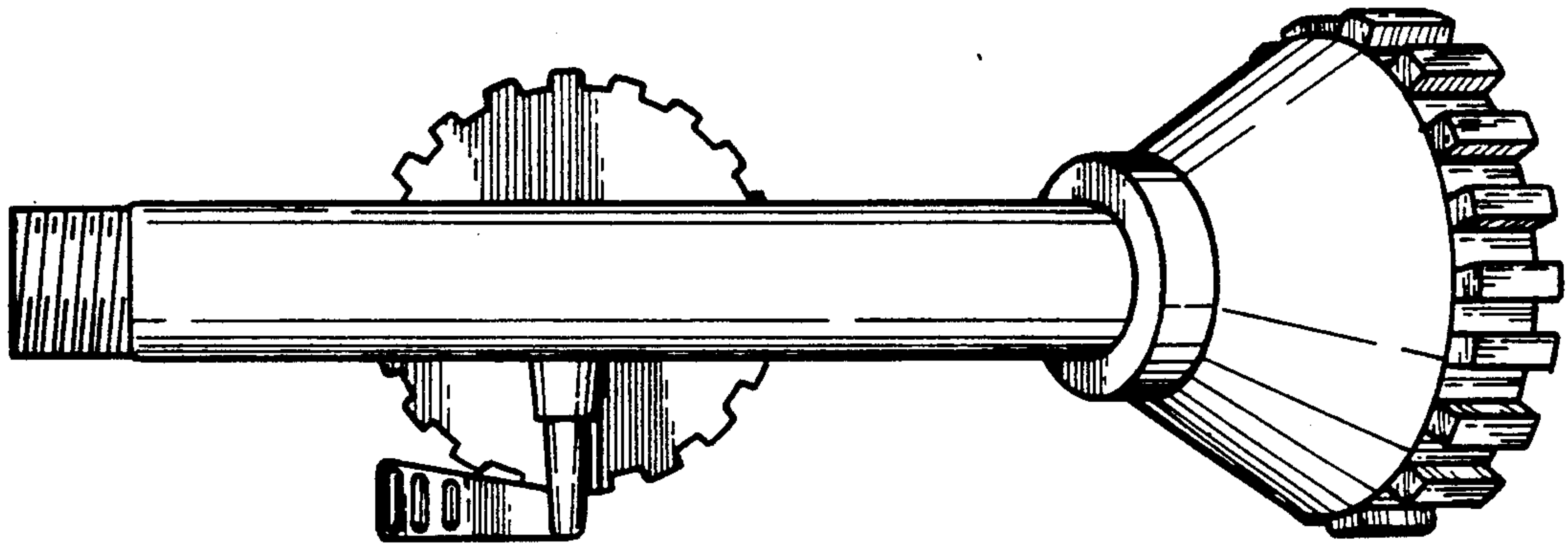


FIG. 6

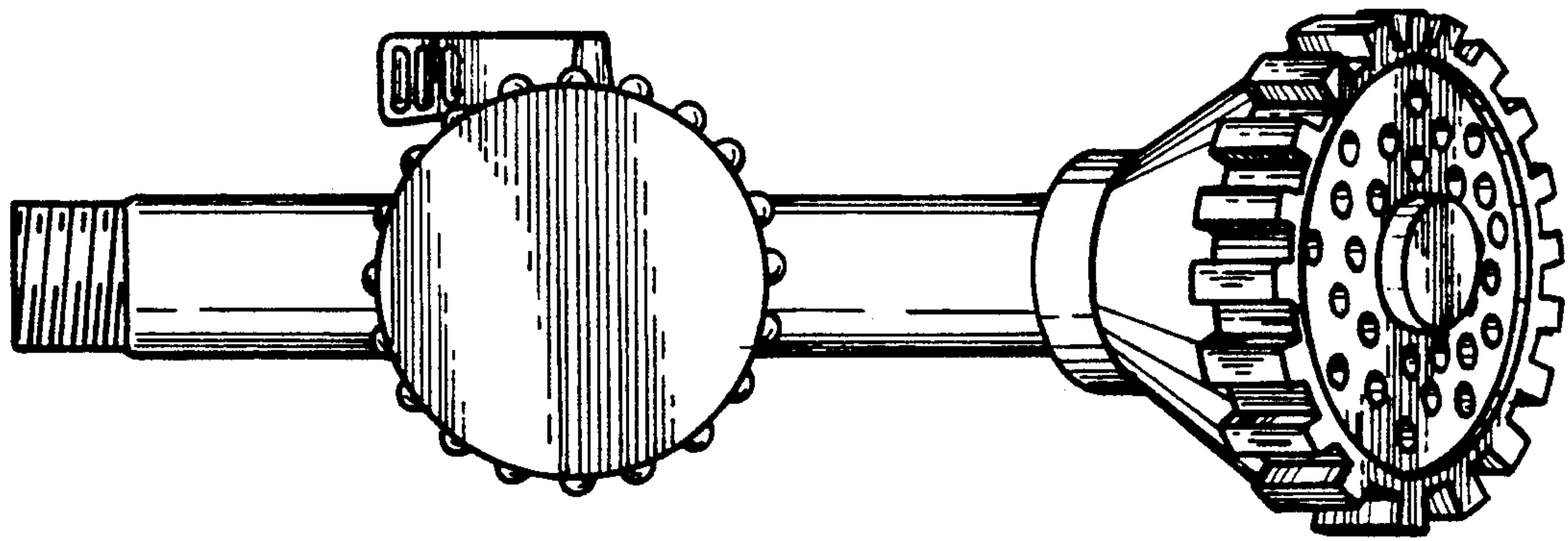


FIG. 7